



US00D768797S

(12) **United States Design Patent**
Shirley-Smith

(10) **Patent No.:** **US D768,797 S**
(45) **Date of Patent:** **** Oct. 11, 2016**

- (54) **TENT**
- (71) Applicant: **TENTSILE LTD**, London (GB)
- (72) Inventor: **Alex Shirley-Smith**, London (GB)
- (73) Assignee: **TENTSILE LTD**, London (GB)
- (**) Term: **15 Years**
- (21) Appl. No.: **29/535,440**
- (22) Filed: **Aug. 6, 2015**
- (51) **LOC (10) Cl.** **21-04**
- (52) **U.S. Cl.**
USPC **D21/834**
- (58) **Field of Classification Search**
USPC D21/834-839; 135/90, 95, 117, 124,
135/126, 127, 156; 5/121
CPC E04H 15/00; E04H 15/001; E04H 15/02;
E04H 15/04; E04H 15/32; E04H 15/36;
E04H 15/40; E04H 15/54; E04H 15/58
See application file for complete search history.

5,080,119	A *	1/1992	Scherer	E04H 15/425 135/127
D396,086	S *	7/1998	Cantwell	D21/838
6,347,638	B1 *	2/2002	Scott	E04H 15/04 135/115
D711,999	S *	8/2014	Shirley-Smith	D21/837
D721,153	S *	1/2015	Shirley-Smith	D21/837
D750,721	S *	3/2016	Shirley-Smith	D21/834
2008/0072947	A1 *	3/2008	Lanham	E04H 15/40 135/126
2010/0269874	A1 *	10/2010	Jacoby	E04H 15/04 135/90

* cited by examiner

Primary Examiner — Cynthia M Chin

(74) *Attorney, Agent, or Firm* — Michael J. Feigin, Esq.;
Feigin & Fridman

(56) **References Cited**

U.S. PATENT DOCUMENTS

D251,215	S *	2/1979	Marks	D21/838
D260,277	S *	8/1981	Davis	135/124
4,308,883	A *	1/1982	Malone	E04H 15/04 135/90
4,320,542	A *	3/1982	Cohen	E04H 15/04 5/121
D263,985	S *	4/1982	Moss	D21/838

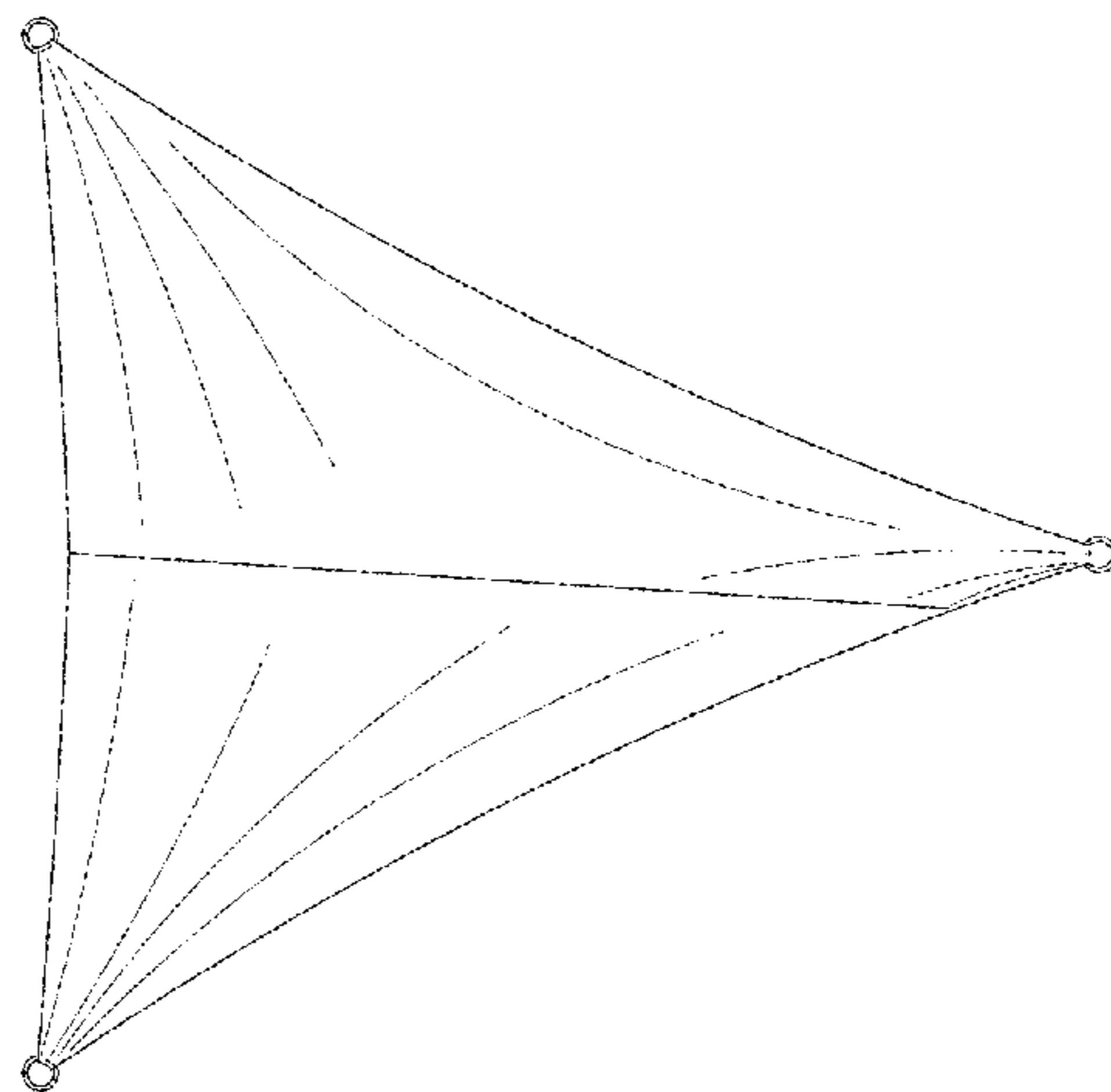
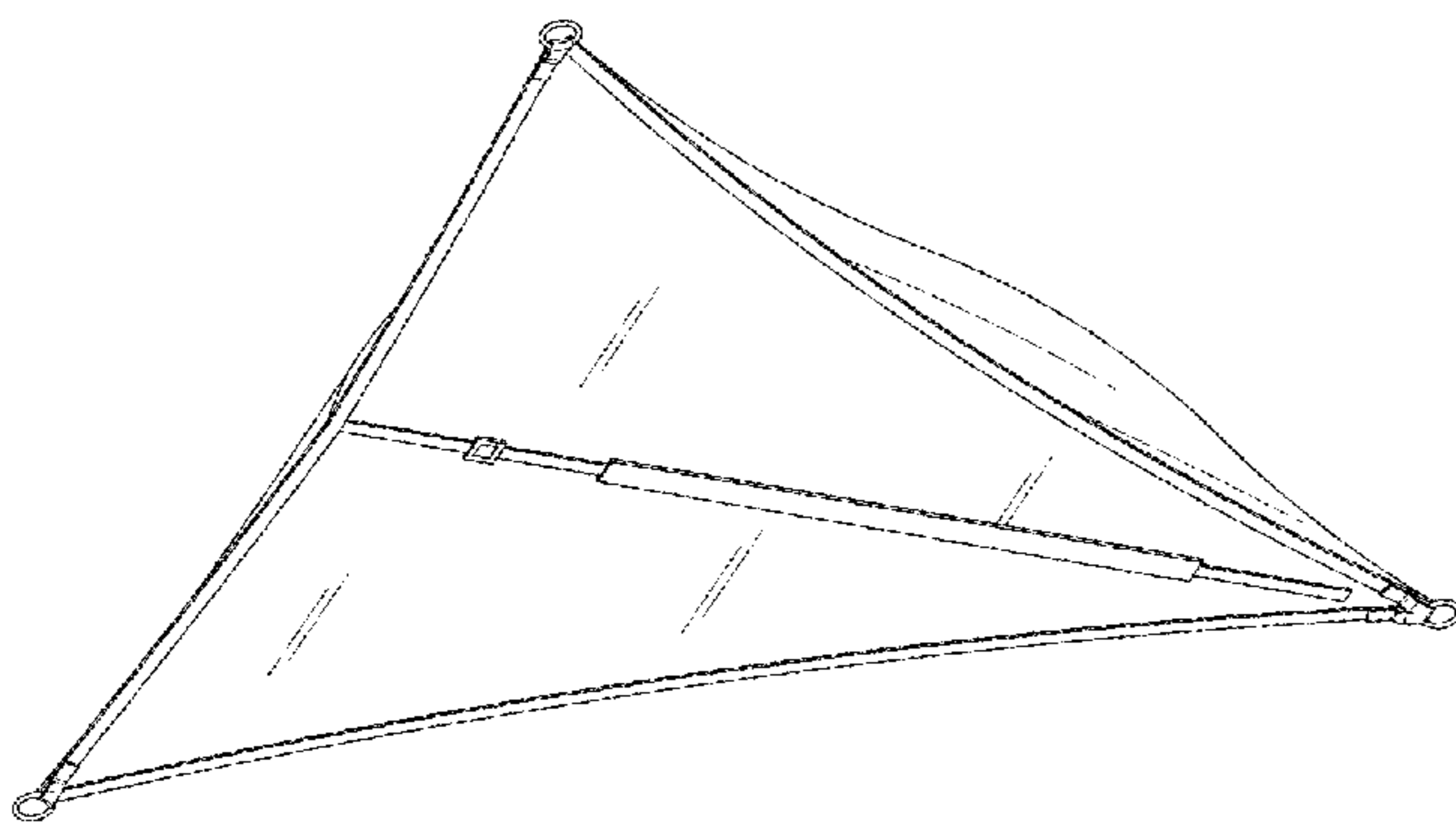
(57) **CLAIM**

The ornamental design for a tent, as shown and described.

DESCRIPTION

- FIG. 1 shows a top perspective view of a tent.
- FIG. 2 shows a bottom perspective view thereof.
- FIG. 3 shows a top plan view thereof.
- FIG. 4 shows a bottom plan view thereof.
- FIG. 5 shows a first side elevation view thereof.
- FIG. 6 shows a second side elevation view thereof.
- FIG. 7 shows a third side elevation view thereof; and,
- FIG. 8 shows a fourth side elevation view thereof.

1 Claim, 8 Drawing Sheets



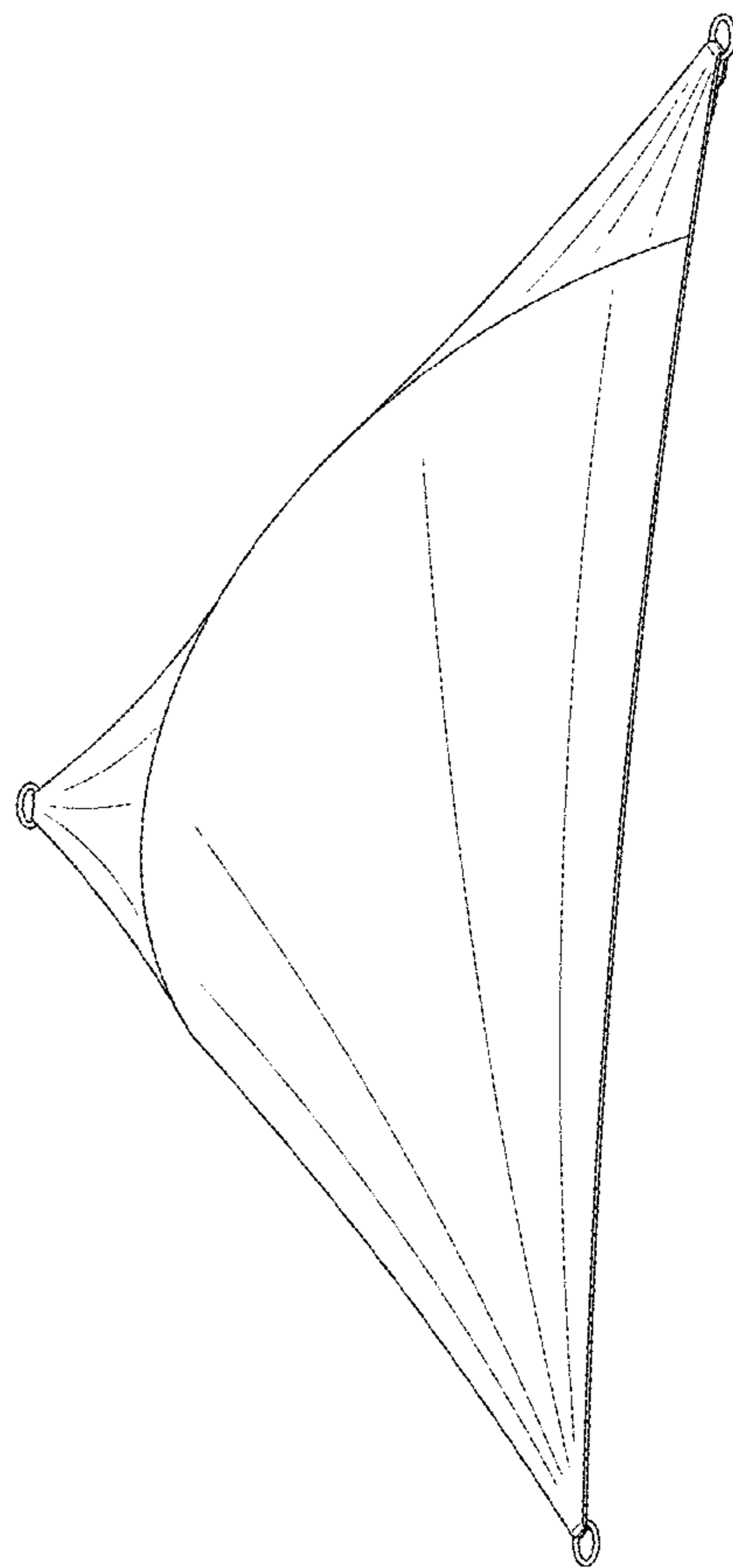


FIG. 1

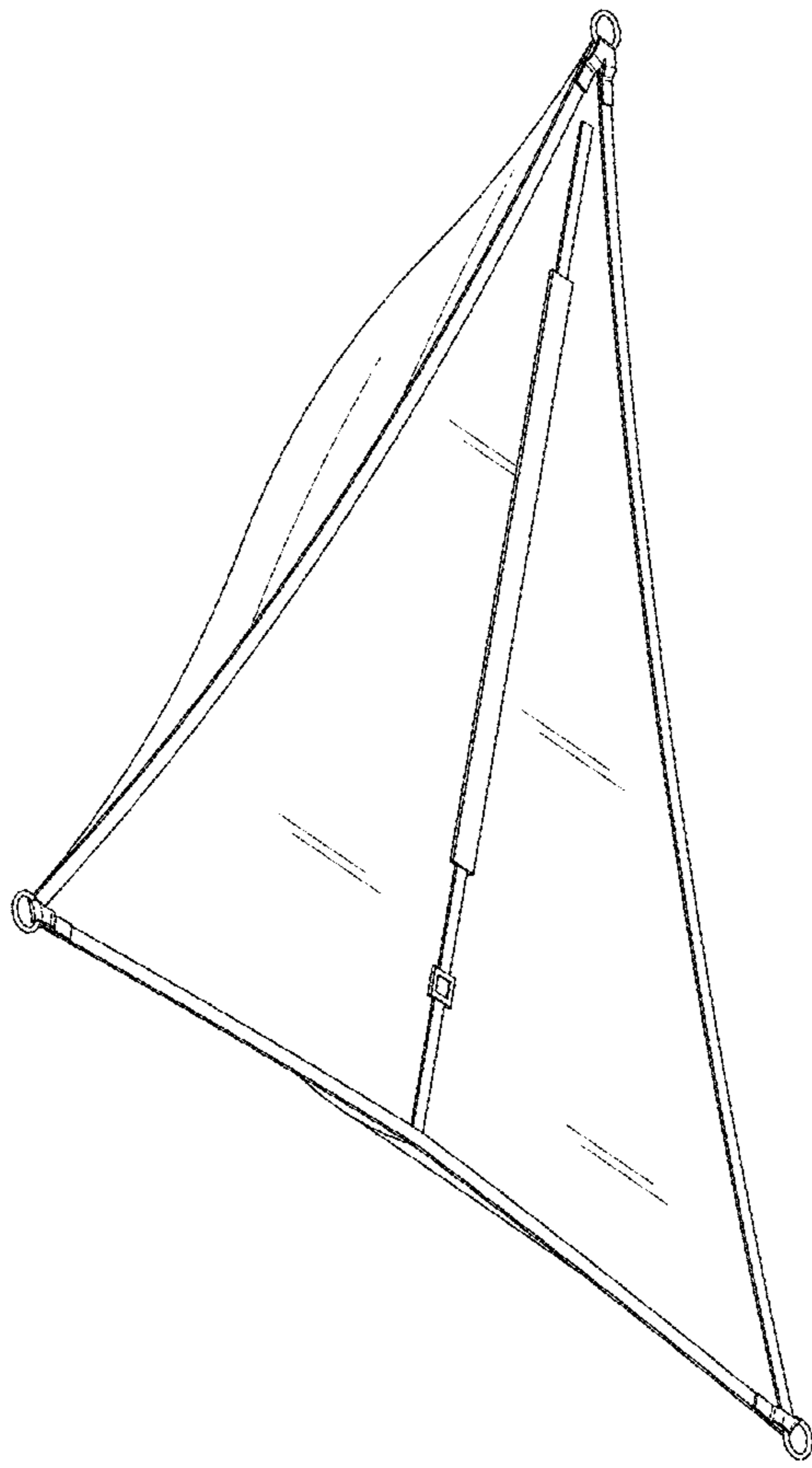


FIG. 2

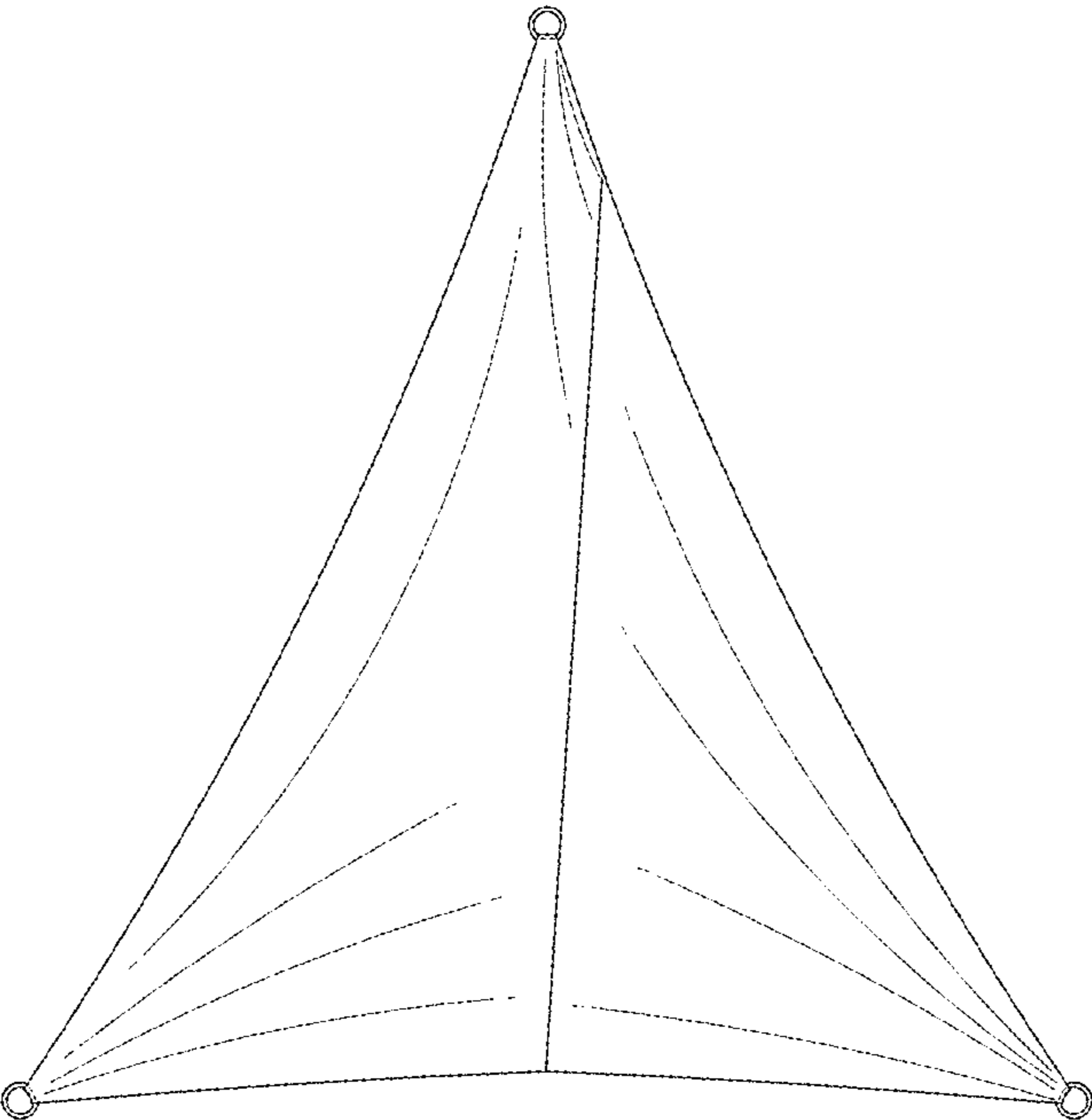


FIG. 3

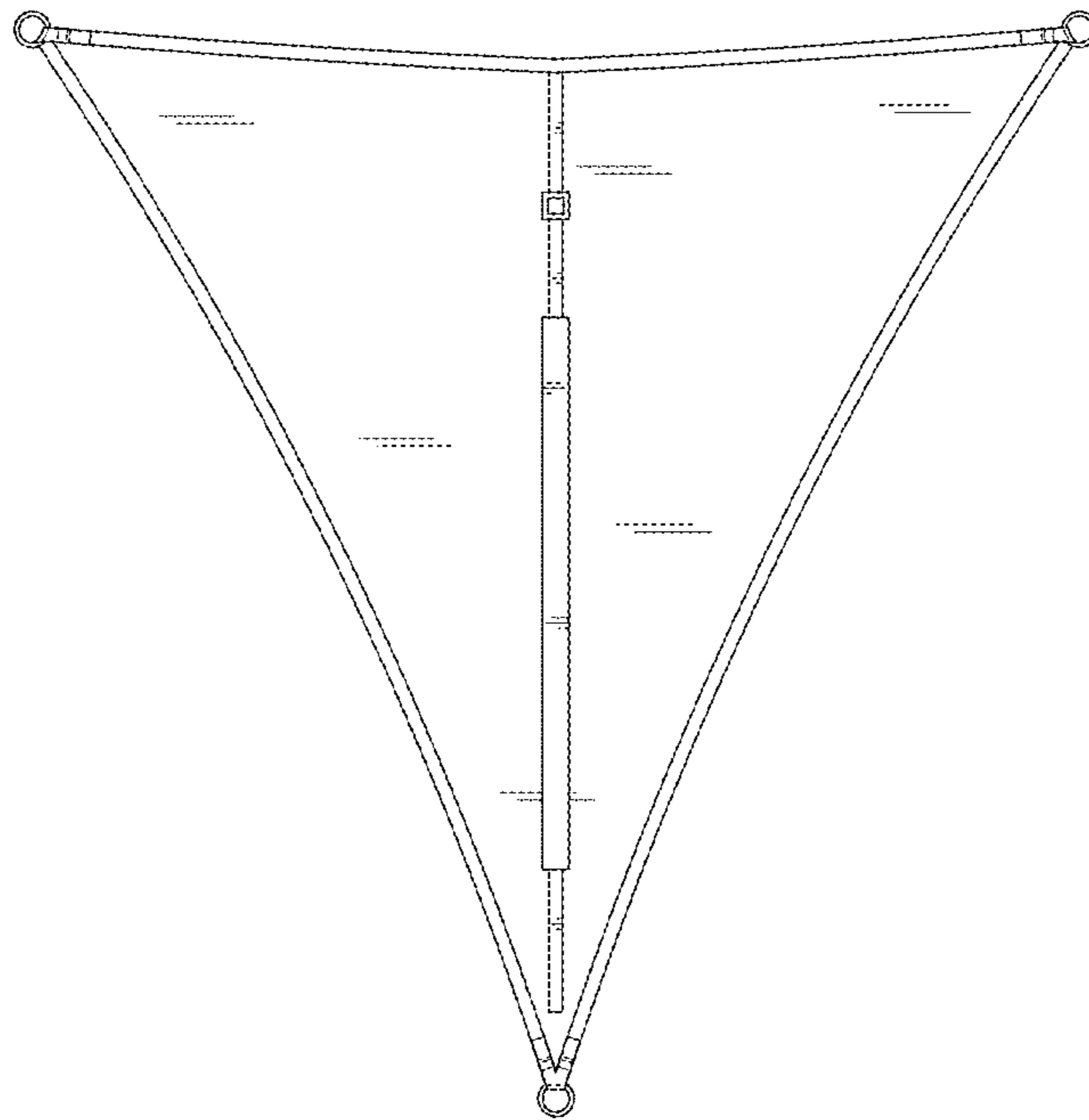


FIG. 4

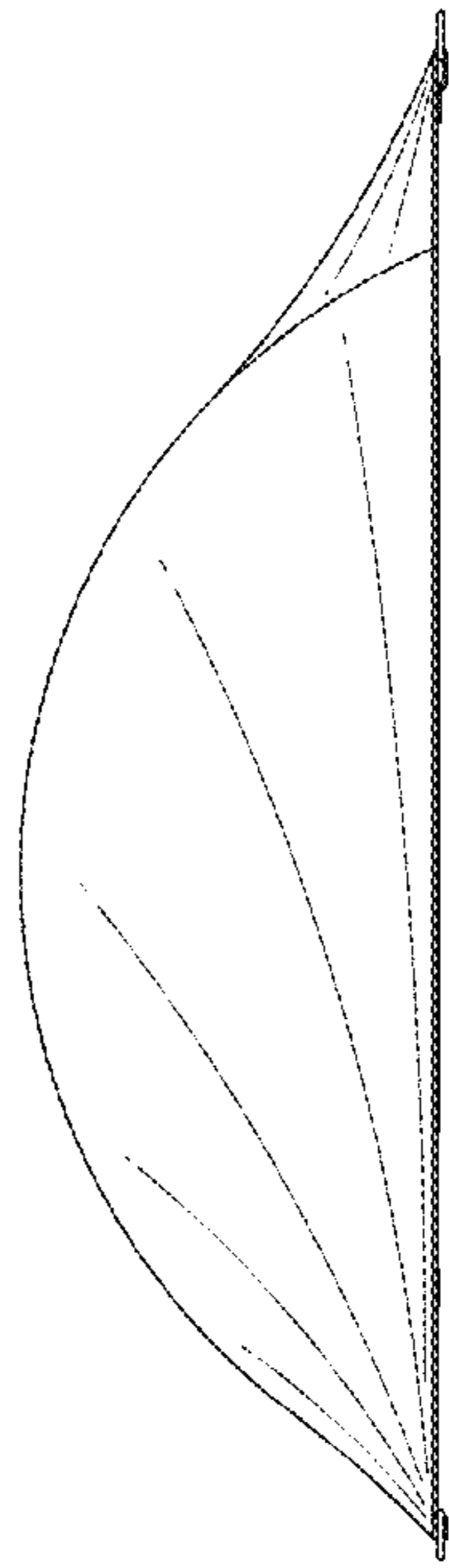


FIG. 5

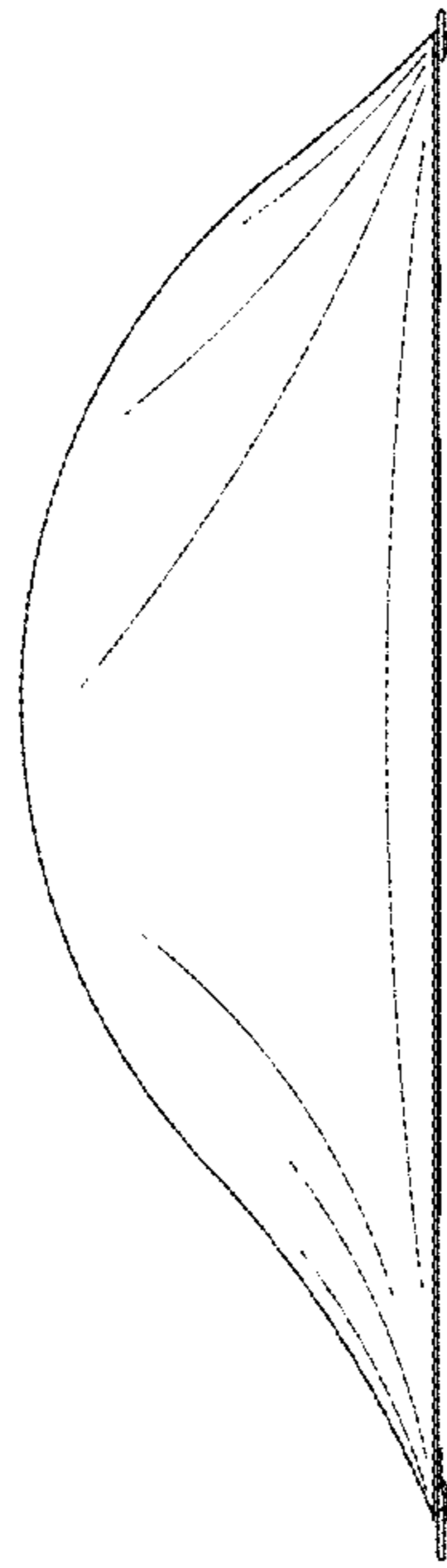


FIG. 6

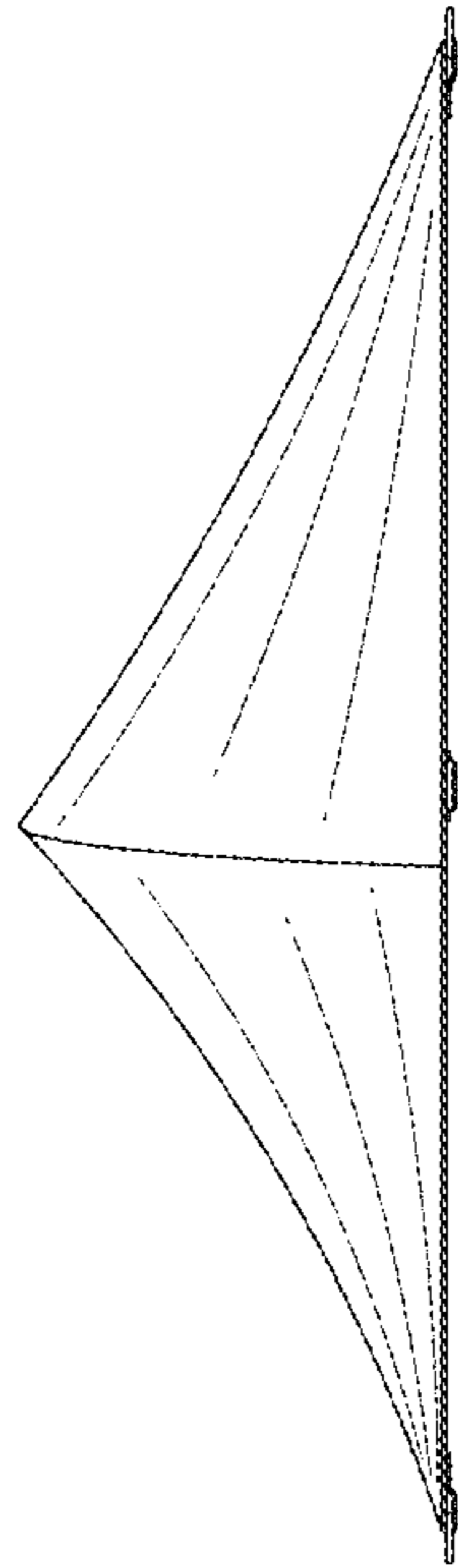


FIG. 7

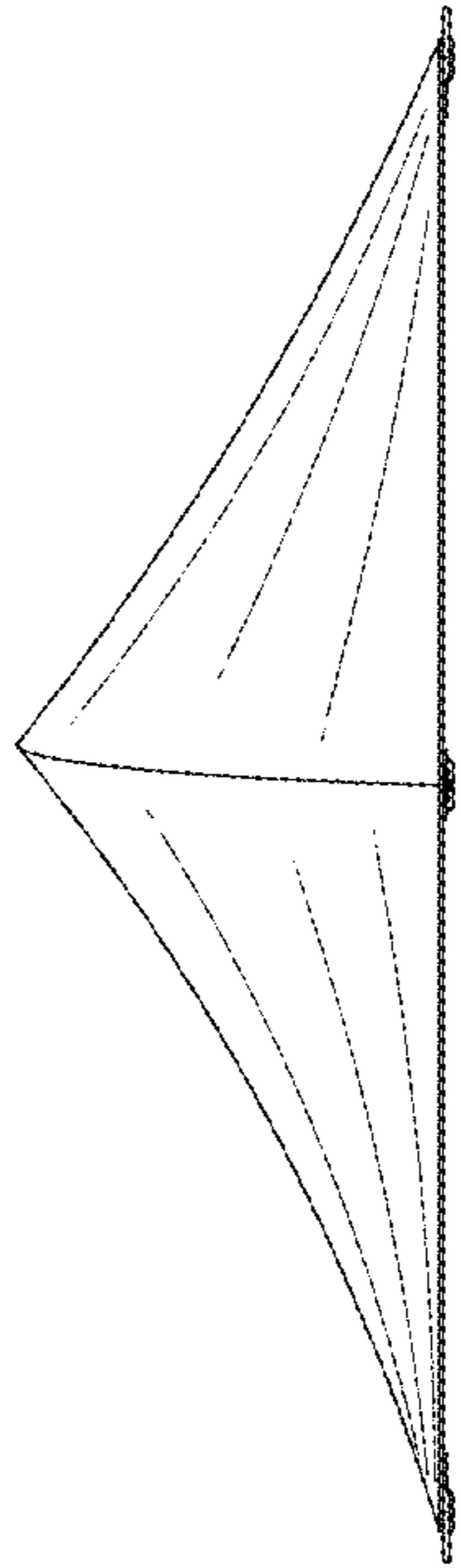


FIG. 8