

US00D768794S

(12) **United States Design Patent** (10) **Patent No.:** **US D768,794 S**
Fiske et al. (45) **Date of Patent:** **** Oct. 11, 2016**

(54) **FLYING DISK GAME APPARATUS**
 (71) Applicant: **AQUA-LEISURE INDUSTRIES, INC.**, Avon, MA (US)
 (72) Inventors: **Mason Fiske**, Plympton, MA (US);
Robert J. Fisher, Providence, RI (US)
 (73) Assignee: **Aqua-Leisure Industries, Inc.**, Avon, MA (US)

5,921,551 A * 7/1999 Dunipace A63B 67/06
 273/400
 6,250,635 B1 * 6/2001 Chittenden A63B 67/06
 273/400
 6,494,455 B1 * 12/2002 Headrick A63B 63/00
 273/400
 6,554,285 B2 * 4/2003 Chittenden A63B 67/06
 273/400
 D489,769 S * 5/2004 Holgate D21/302
 2015/0061225 A1 * 3/2015 Sciandra A63B 67/06
 273/400

(**) Term: **15 Years**

(21) Appl. No.: **29/529,767**

(22) Filed: **Jun. 10, 2015**

(51) **LOC (10) Cl.** **21-01**

(52) **U.S. Cl.**
USPC **D21/699**; D21/302

(58) **Field of Classification Search**
USPC D21/302, 385, 386, 698, 699
CPC A63B 67/06; A63B 63/00; A63B 63/004;
A63B 2208/12; A63B 2210/50
See application file for complete search history.

(56) **References Cited**

U.S. PATENT DOCUMENTS

4,039,189 A * 8/1977 Headrick A63B 67/06
 273/400
 D257,779 S * 1/1981 Sippola D21/699
 4,461,484 A * 7/1984 Headrick A63B 63/08
 273/400
 4,792,143 A * 12/1988 Headrick A63B 67/06
 273/400
 5,048,845 A * 9/1991 Dunipace A63B 67/06
 273/400
 5,358,255 A * 10/1994 Jolson A63B 67/06
 273/400
 5,452,903 A * 9/1995 Larrabee A63B 63/00
 273/381

* cited by examiner

Primary Examiner — Darlington Ly
Assistant Examiner — Daniel J Domino
 (74) *Attorney, Agent, or Firm* — Wolf, Greenfield & Sacks, P.C.

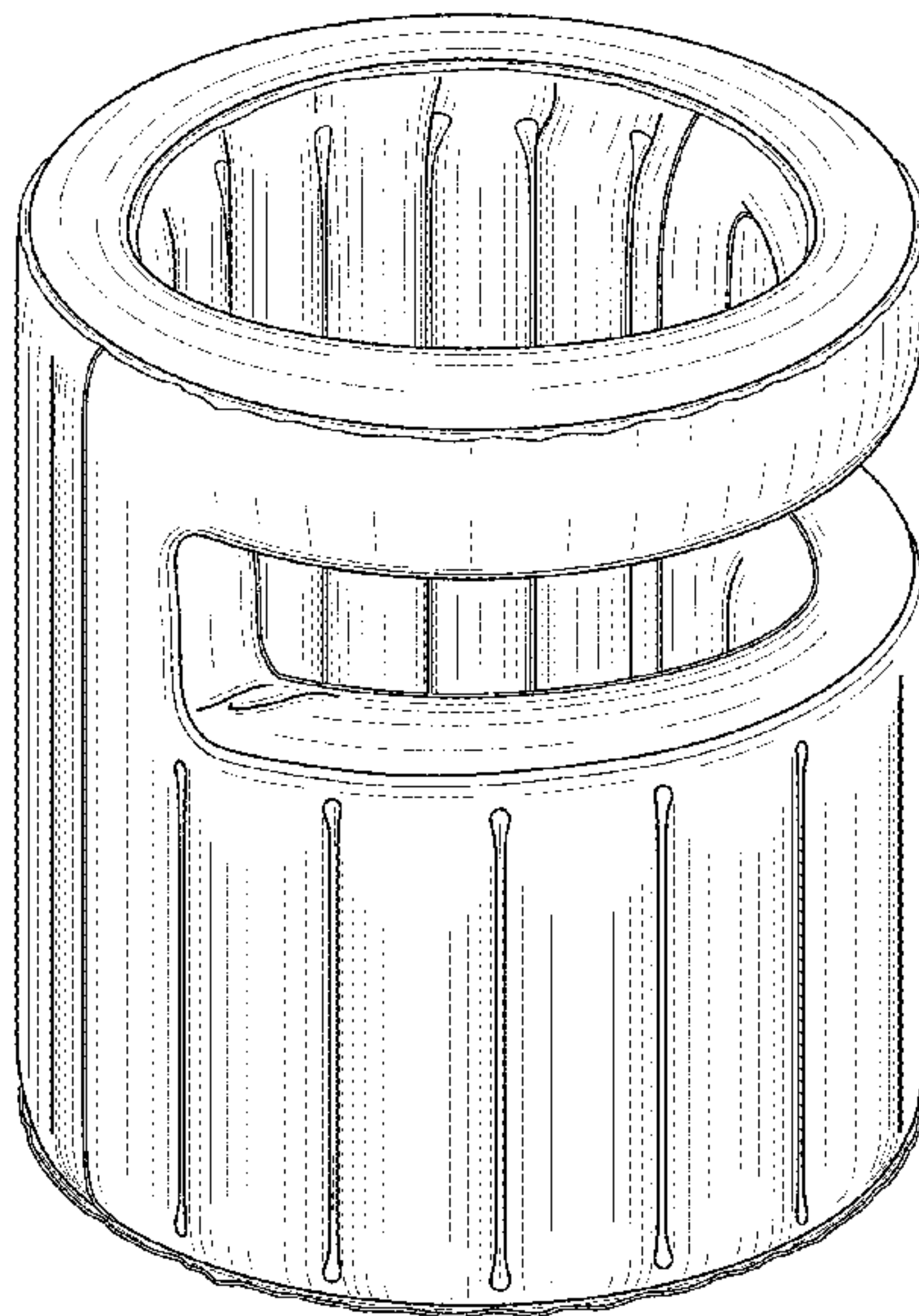
(57) **CLAIM**

The ornamental design for a flying disk game apparatus, as shown and described.

DESCRIPTION

FIG. 1 is a perspective view of a flying disk game apparatus in accordance with our new design.
 FIG. 2 is an elevational view as seen from the left side of the flying disk game apparatus of FIG. 1
 FIG. 3 is an elevational view as seen from the front of the flying disk game apparatus of FIG. 1.
 FIG. 4 is an elevational view as seen from the right side of the flying disk game apparatus of FIG. 1
 FIG. 5 is an elevational view as seen from the front of the flying disk game apparatus of FIG. 1.
 FIG. 6 is a top plan view of the flying disk game apparatus of FIG. 1; and,
 FIG. 7 is a bottom plan view of the flying disk game apparatus of FIG. 1.
 The broken lines illustrate portions of the flying disk game apparatus that form no part of the claimed design.

1 Claim, 4 Drawing Sheets



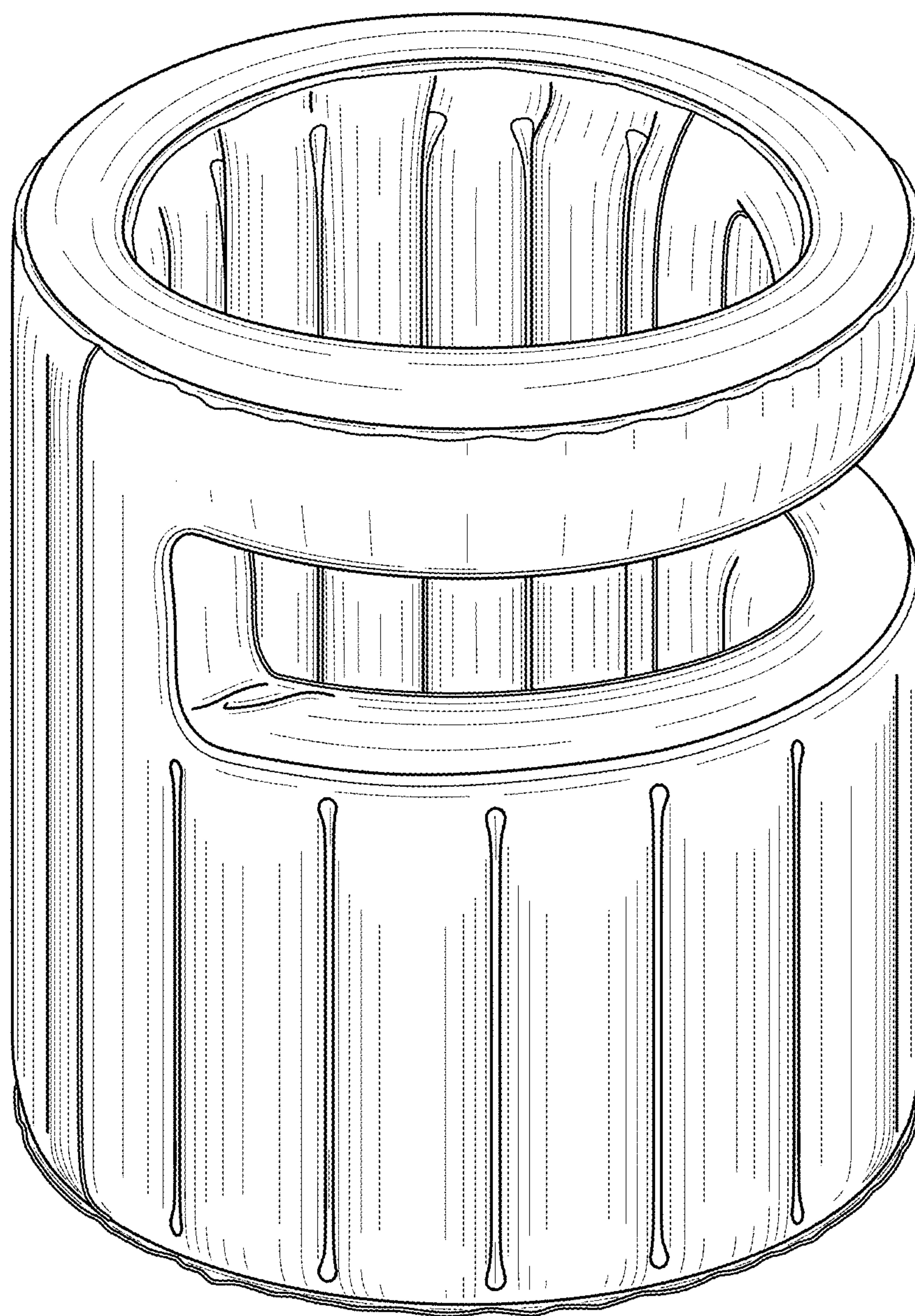


FIG. 1

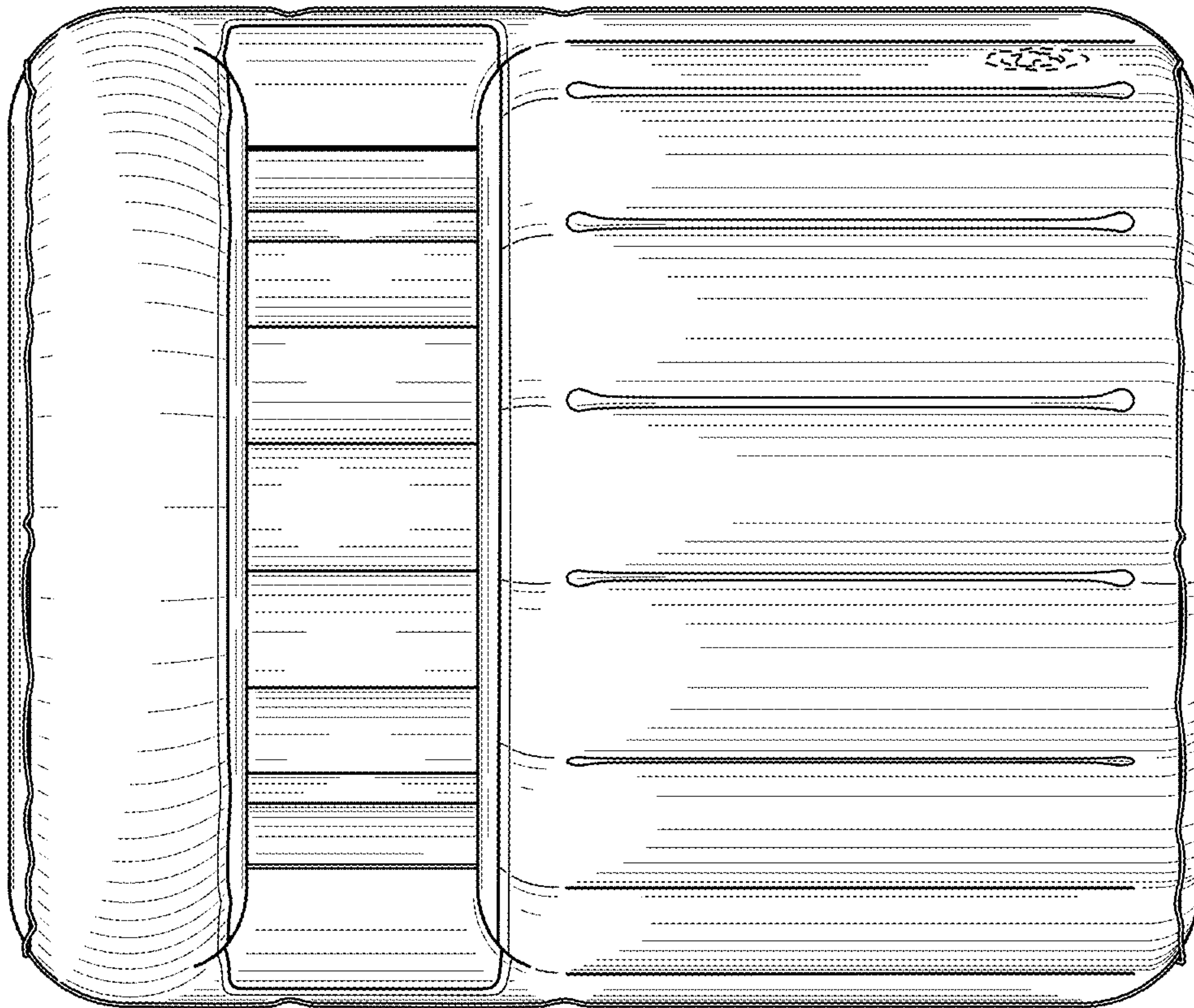


FIG. 3

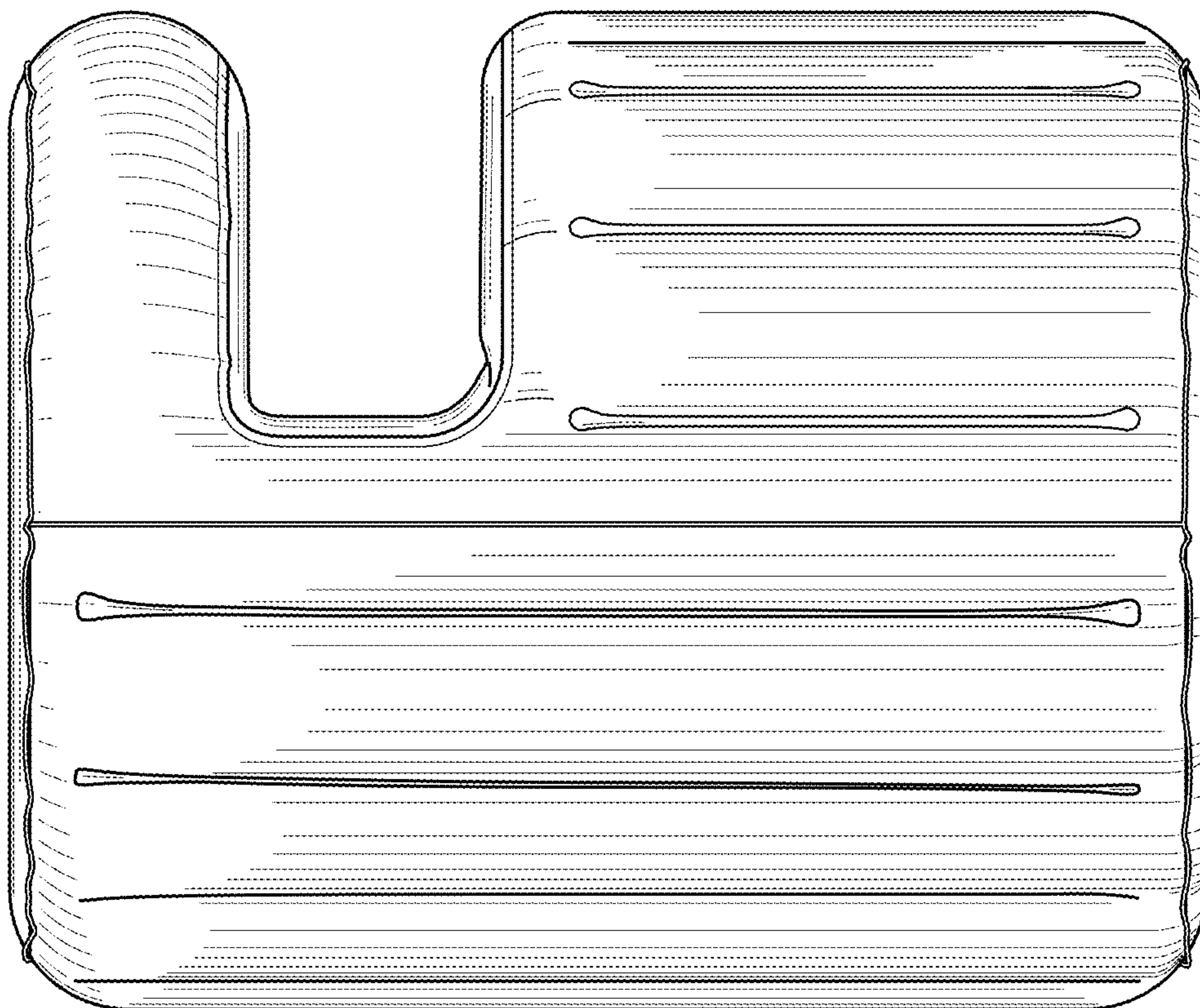


FIG. 2

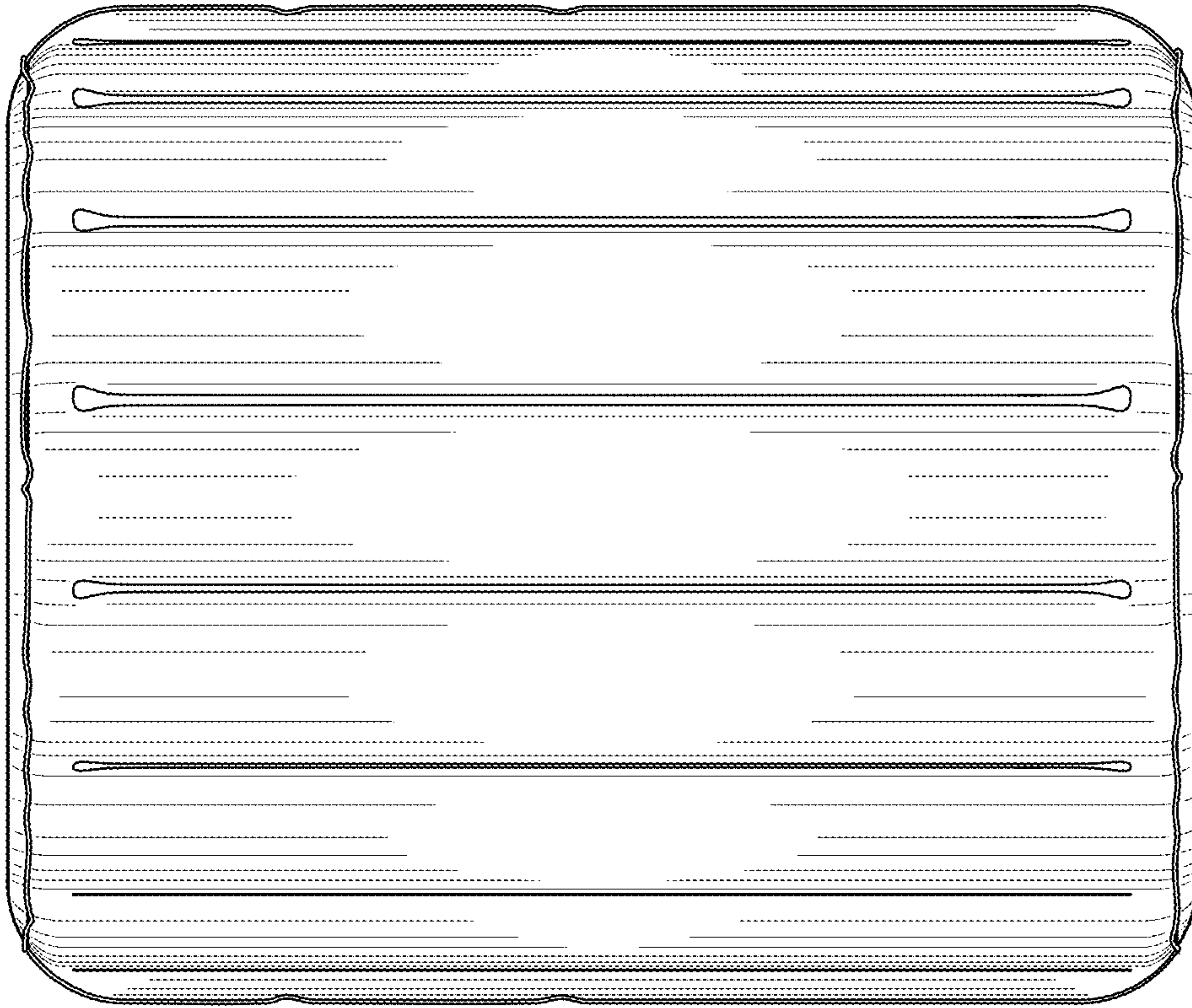


FIG. 5

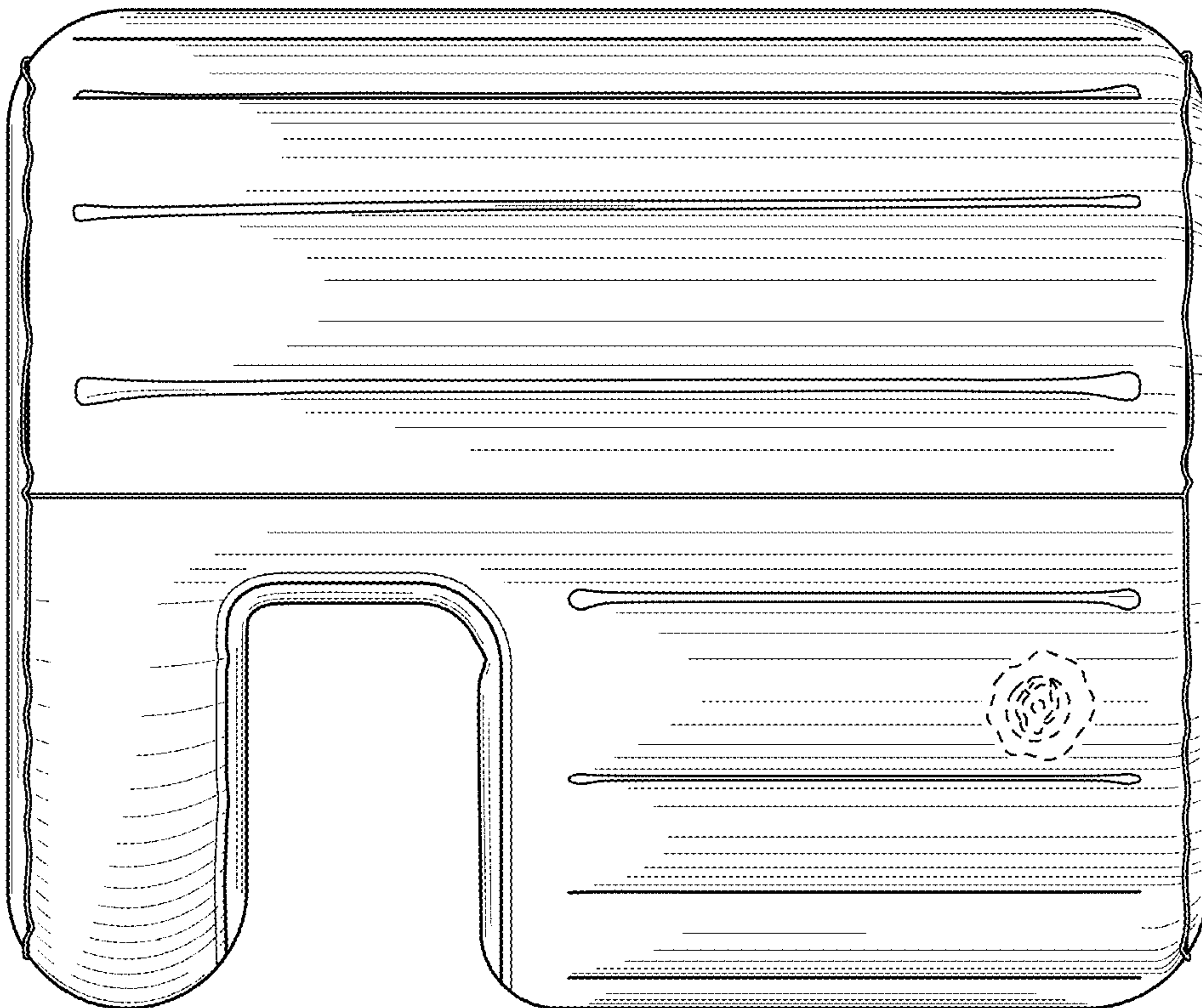


FIG. 4

FIG. 6

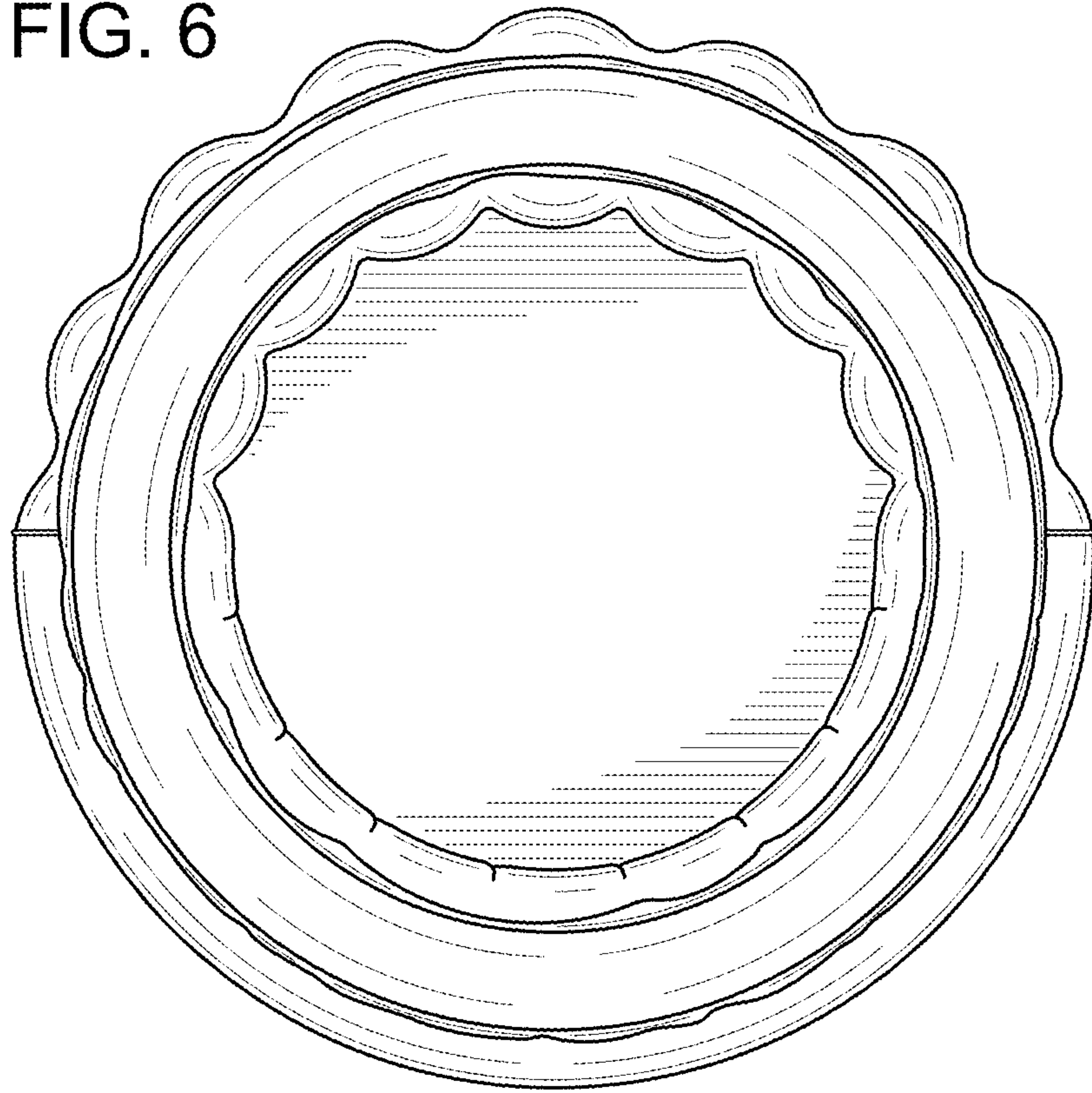


FIG. 7

