



US00D768792S

(12) **United States Design Patent**  
**Goldberg et al.**

(10) **Patent No.:** **US D768,792 S**  
(45) **Date of Patent:** **\*\* Oct. 11, 2016**

(54) **ELEVATED EXERCISE PLATFORM**  
(71) Applicants: **Johnson Health Tech Co., LTD.;**  
**Johnny Goldberg, Montecito, CA (US)**  
(72) Inventors: **Johnny Goldberg, Montecito, CA**  
**(US); Jon C. Alling, Madison, WI**  
**(US); Hanna A. Tshara, Madison, WI**  
**(US)**  
(73) Assignees: **Johnson Health Tech Co., Ltd.,**  
**Taichung (TW); Johnny Goldberg,**  
**Montecito, CA (US)**

(\*\*) Term: **14 Years**  
(21) Appl. No.: **29/523,823**  
(22) Filed: **Apr. 14, 2015**

(51) **LOC (10) Cl.** ..... **21-02**  
(52) **U.S. Cl.**  
USPC ..... **D21/690**

(58) **Field of Classification Search**  
USPC ..... 482/54, 140, 142, 123, 121, 122, 129,  
482/130, 96, 52, 57, 907, 126, 131, 145,  
482/144, 112, 134, 26, 27, 77, 125, 132, 92,  
482/95, 91, 128, 68, 141, 53, 133, 138;  
D21/687, 686, 669, 673, 690, 691, 694,  
D21/676, 674, 670, 663, 662, 423, 695,  
D21/688; D24/183, 188; 297/175, 445.1,  
297/423.38, 230.1; 601/24, 49; 606/240,  
606/244, 242; 5/613, 618, 624; 473/197,  
473/422; 280/47.371, 79.6; D14/447  
CPC ..... A63B 22/02; A63B 22/0023; A63B  
22/0235; A63B 2210/50; A63B 21/4029;  
A63B 22/0285; A63B 22/0242; A63B  
2225/30; A63B 21/078; A61H 2203/0493;  
A61H 1/0292; A61H 2201/1284; A61H  
1/0222

See application file for complete search history.

(56) **References Cited**

**U.S. PATENT DOCUMENTS**

D182,957 S \* 6/1958 Harris ..... 482/142  
D262,809 S \* 1/1982 Rossow ..... D21/690  
D269,538 S \* 6/1983 Sinfield ..... D21/412

D279,810 S \* 7/1985 Noble ..... D21/690  
D342,107 S \* 12/1993 Chang ..... D21/669  
5,649,886 A \* 7/1997 Danylieko ..... A63B 21/4029  
482/104  
D400,722 S \* 11/1998 Luther ..... D6/361  
D438,623 S \* 3/2001 Tantau ..... D24/183

(Continued)

**OTHER PUBLICATIONS**

In-Trinity by Matrix Fitness dated Mar. 9, 2015. Found online [May 20, 2016] <https://www.youtube.com/watch?v=r0TguXSKI0g>.\*

*Primary Examiner* — Robert M Spear

*Assistant Examiner* — Ryan Harvey

(74) *Attorney, Agent, or Firm* — Smith Law Office;  
Jeffrey W. Smith

(57) **CLAIM**

The ornamental design for an elevated exercise platform, as shown and described.

**DESCRIPTION**

FIG. 1 is a perspective view of an elevated exercise platform showing the design;

FIG. 2 is a front elevational view of the elevated exercise platform of FIG. 1;

FIG. 3 is a rear elevational view of the elevated exercise platform of FIG. 1;

FIG. 4 is a left side elevational view of the elevated exercise platform of FIG. 1, the right side elevational view is a mirror image thereof;

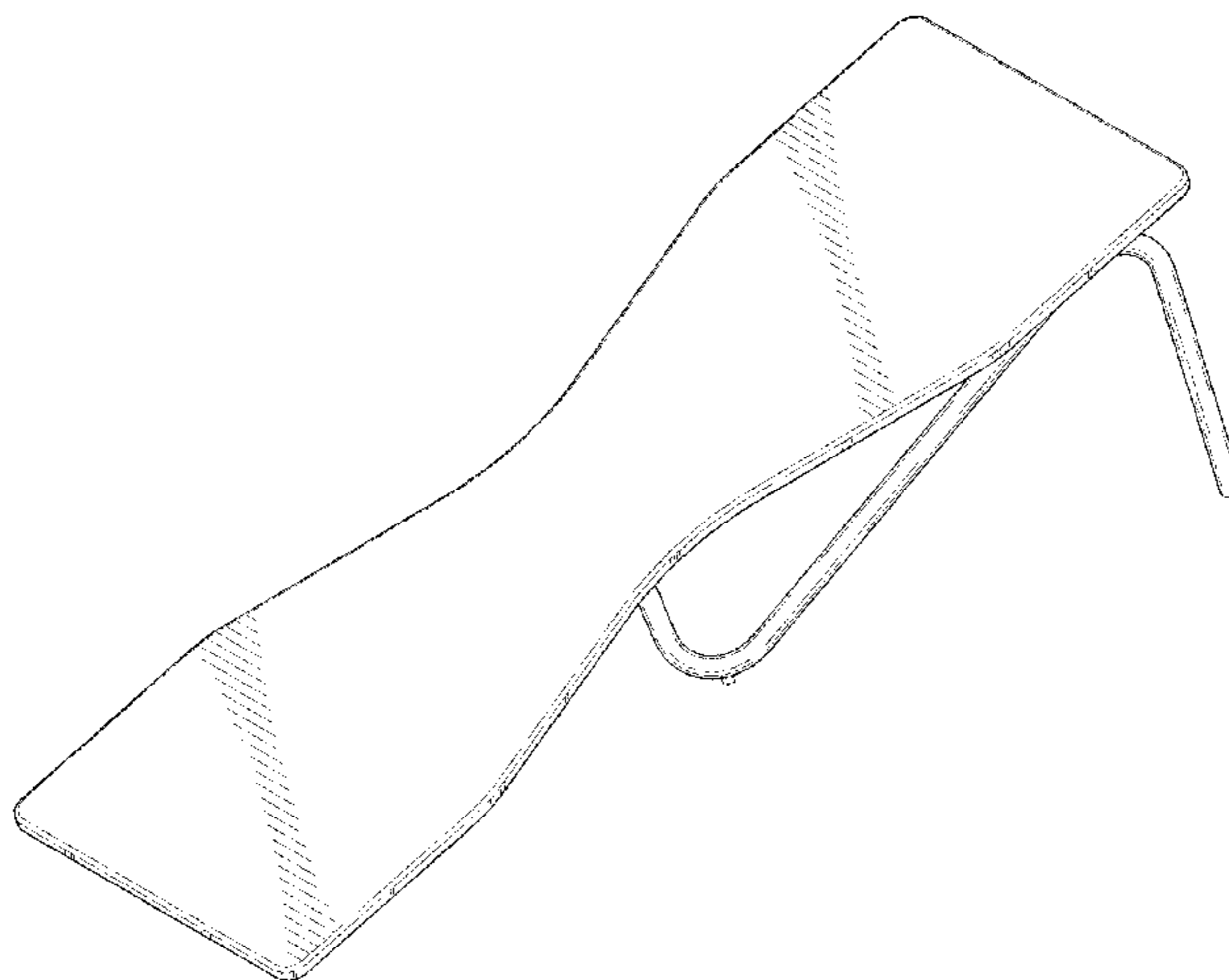
FIG. 5 is a top plan view of the elevated exercise platform of FIG. 1;

FIG. 6 is a bottom plan view of the elevated exercise platform of FIG. 1; and,

FIG. 7 is another perspective view of the elevated exercise platform of FIG. 1.

The broken line showing of portions of the elevated exercise platform depicts environment and forms no part of the claim.

**1 Claim, 6 Drawing Sheets**



# US D768,792 S

Page 2

---

(56)

## References Cited

### U.S. PATENT DOCUMENTS

9,174,081	B2 *	11/2015	Cecil .....	A63B 23/02	2014/0190488	A1 *	7/2014	Robran .....	A61G 99/00 128/845
2012/0280545	A1 *	11/2012	Vernon .....	A47C 7/425 297/230.1	2015/0351989	A1 *	12/2015	Sova .....	A61H 1/008 606/240
2012/0329619	A1 *	12/2012	Goldberg .....	A63B 21/04 482/129	2016/0059061	A1 *	3/2016	Lagree .....	A63B 21/00065 482/92

\* cited by examiner

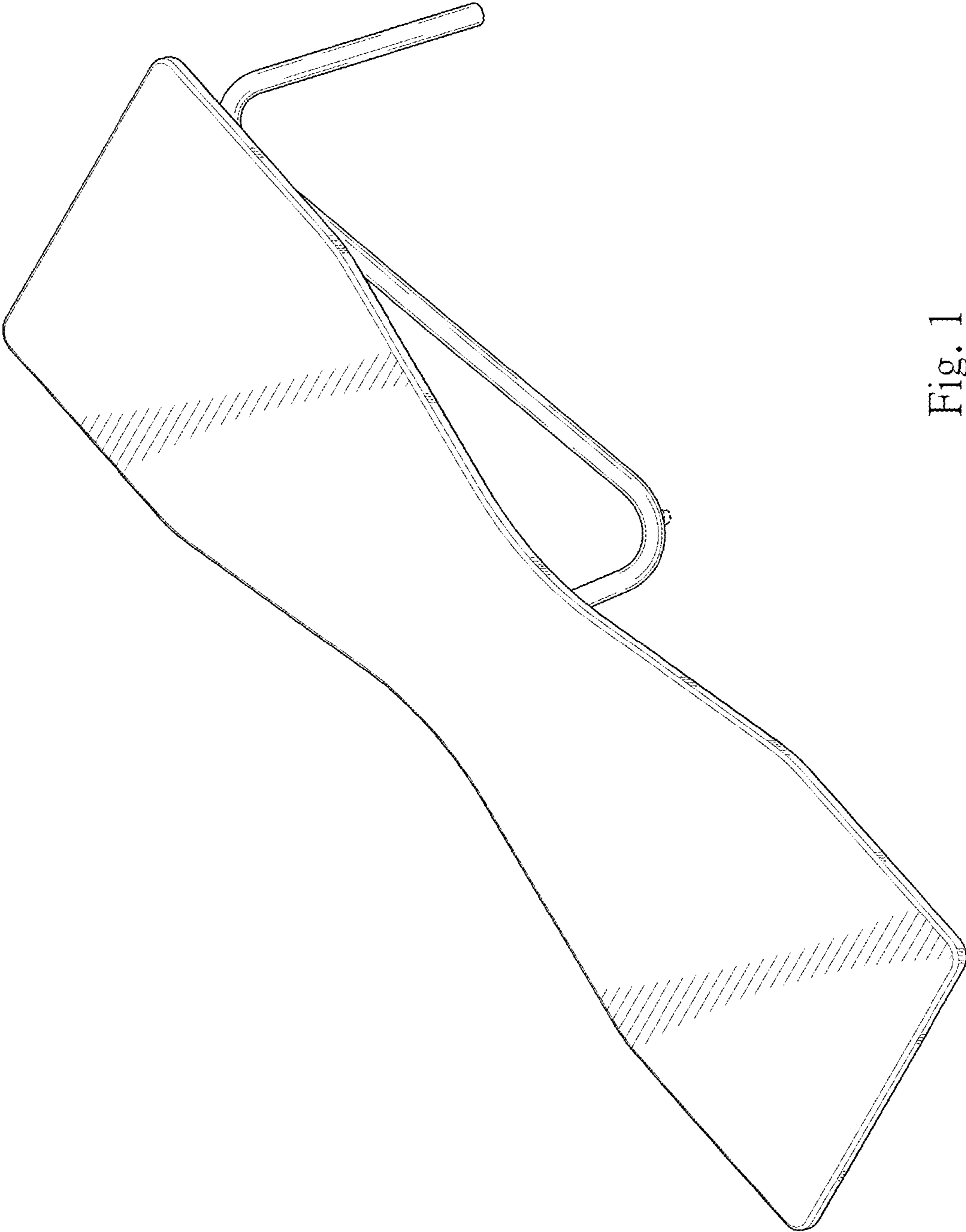


Fig. 1

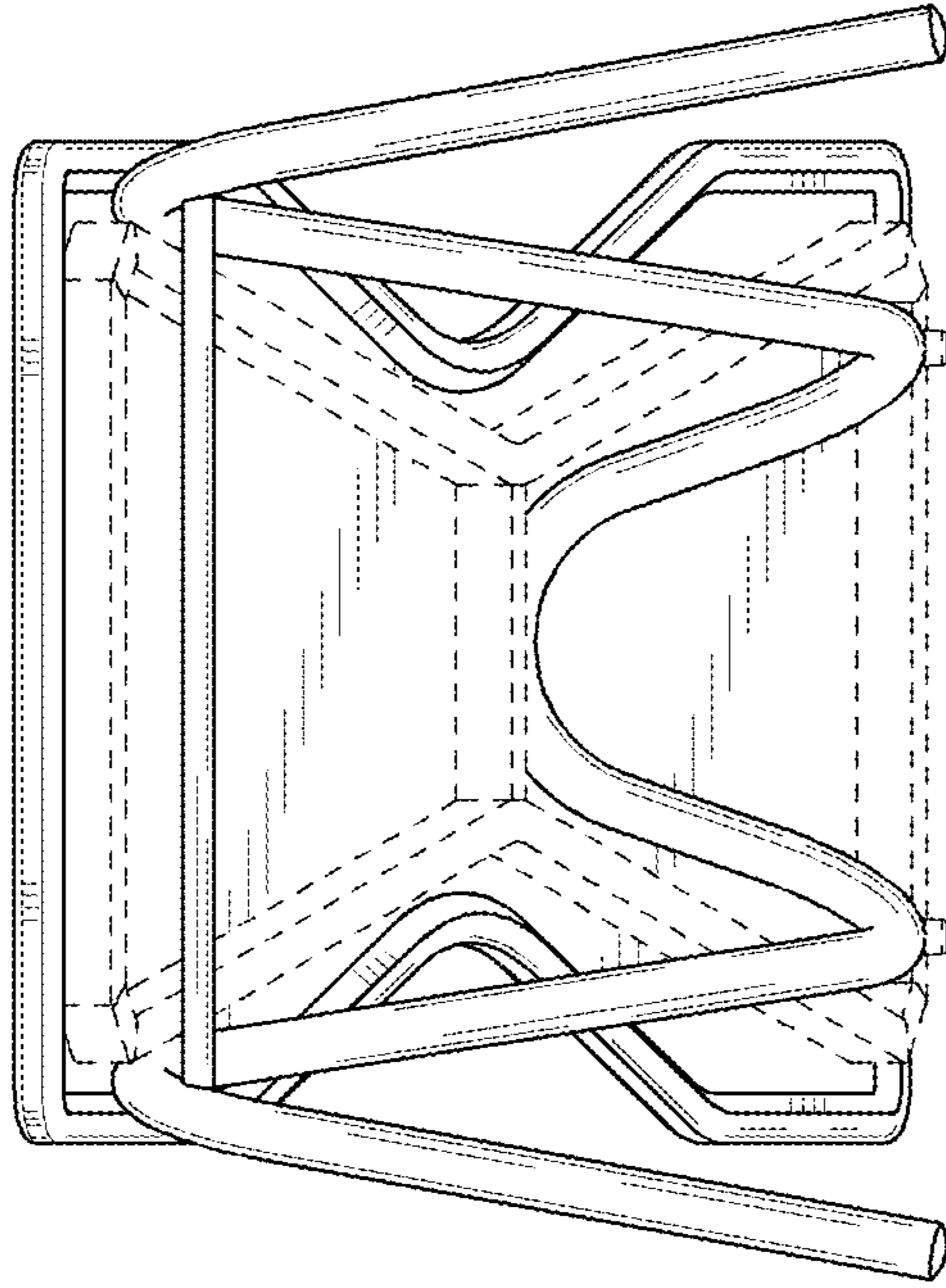


Fig. 3

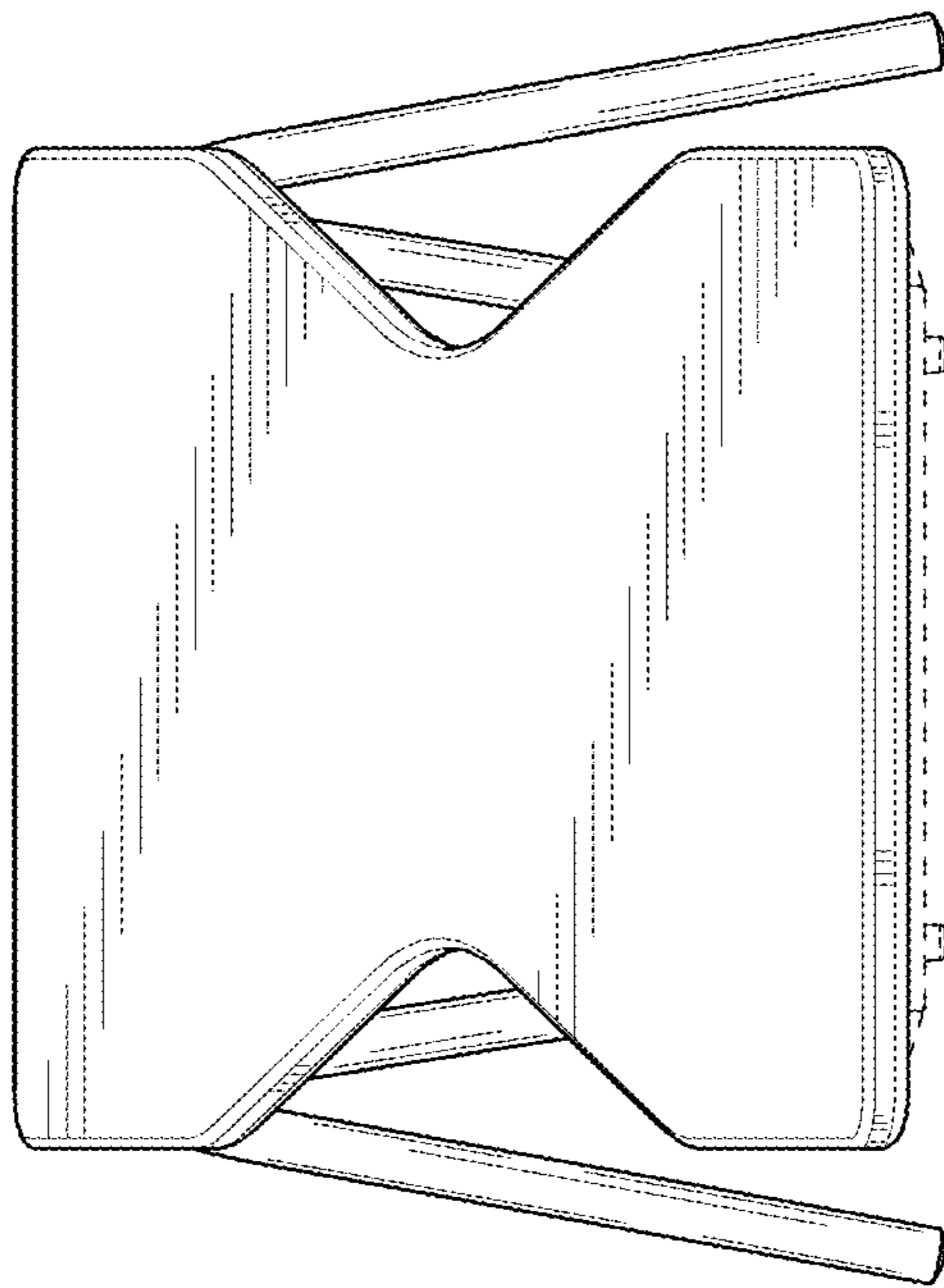


Fig. 2

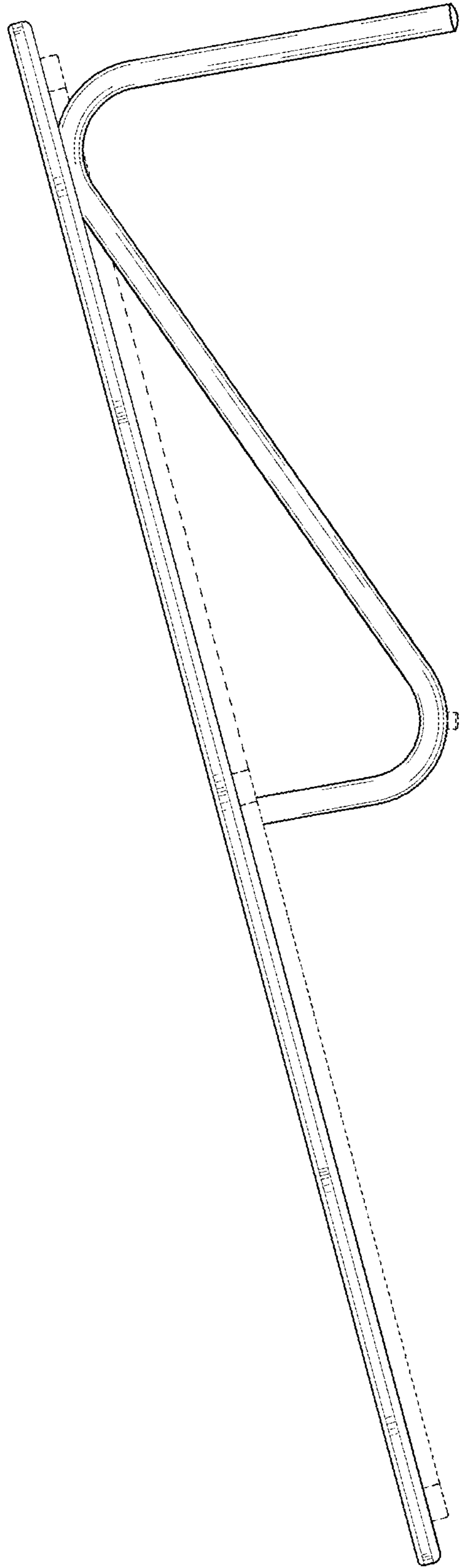


Fig. 4

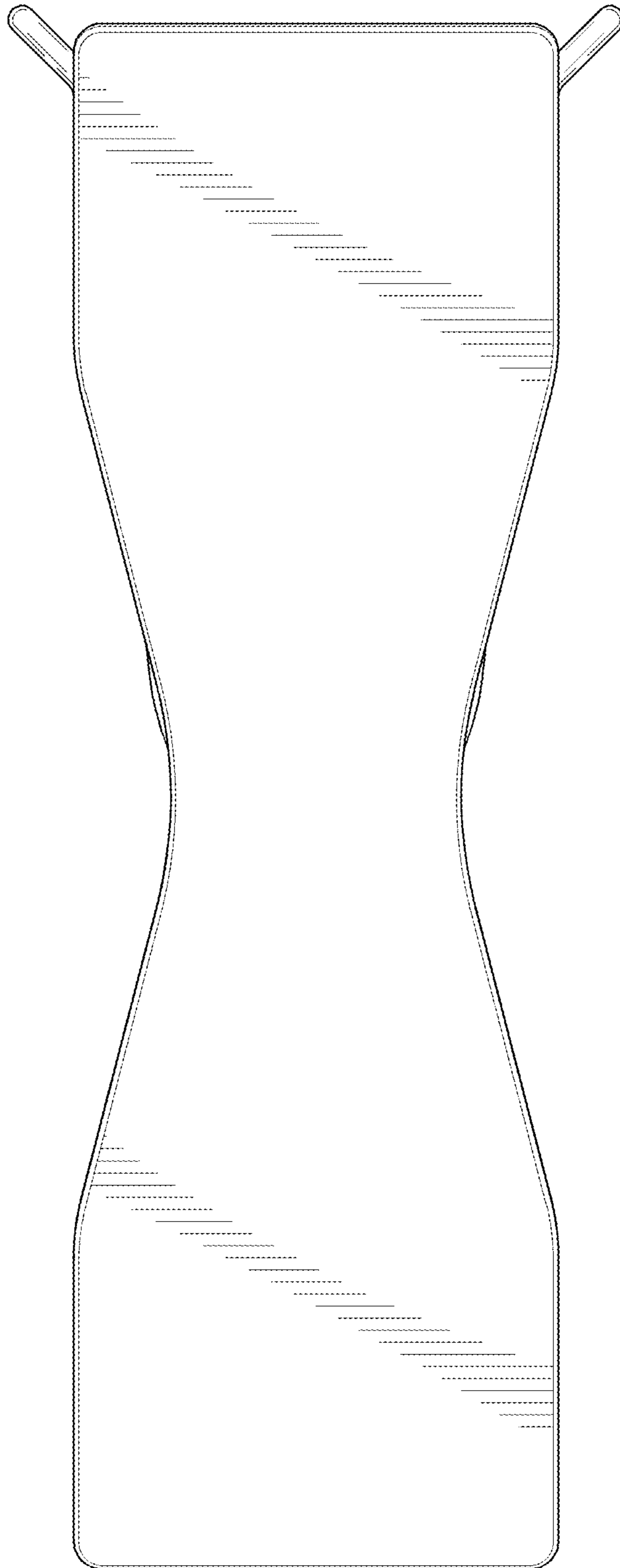


Fig. 5

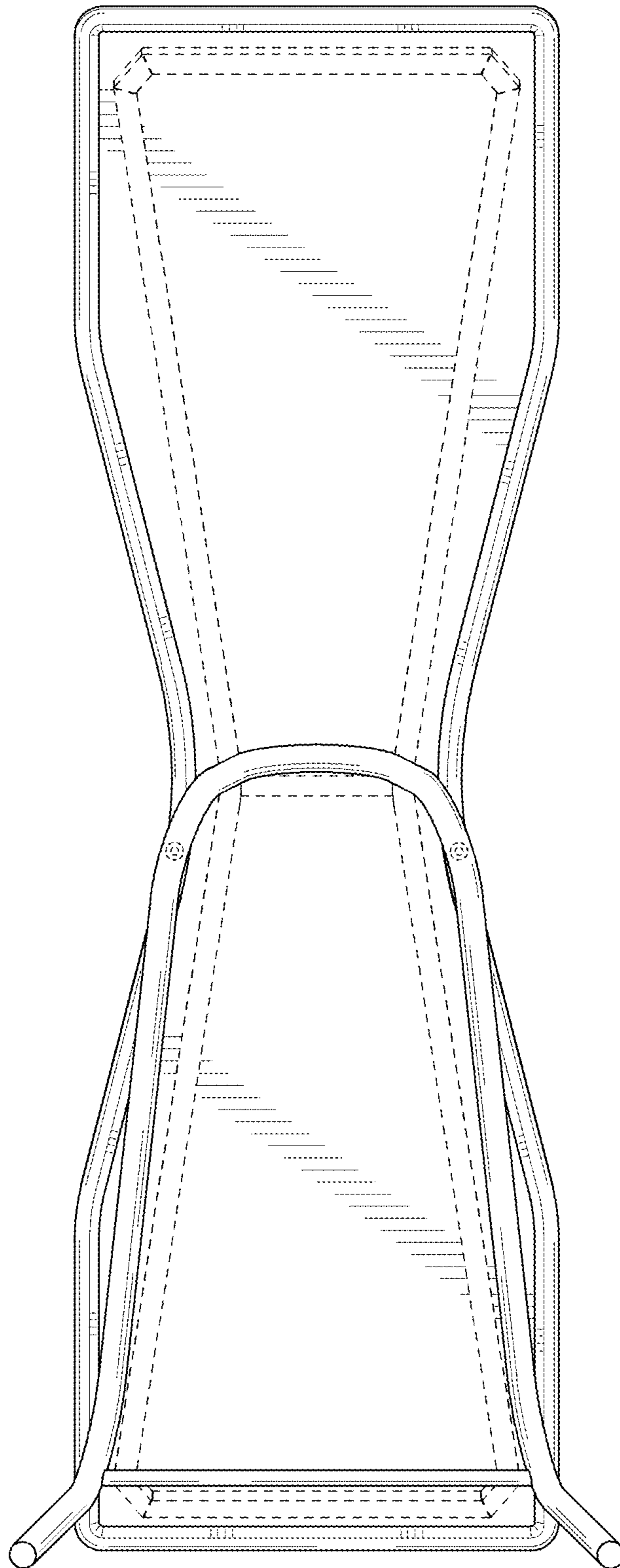


Fig. 6

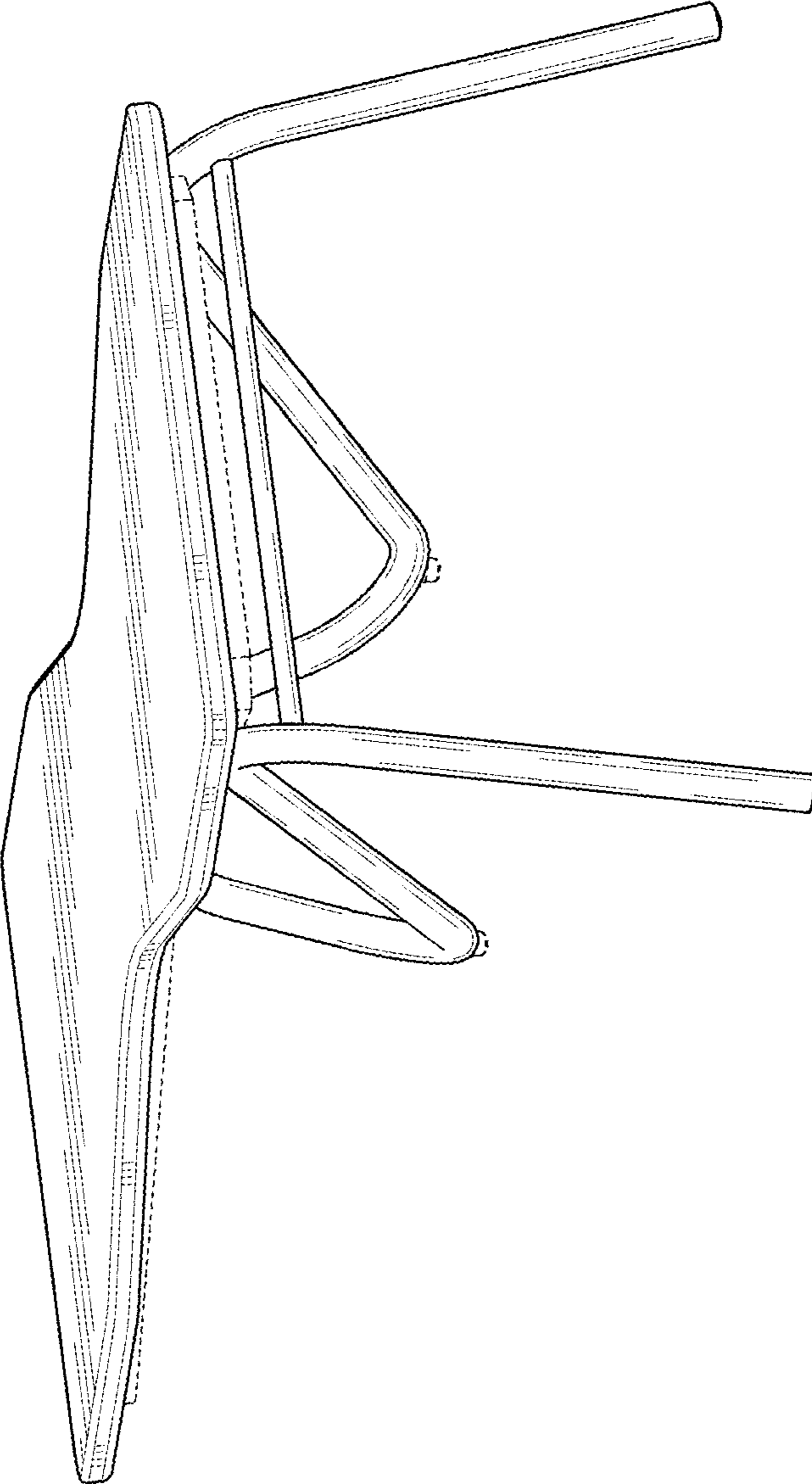


Fig. 7