



US00D768791S

(12) **United States Design Patent** (10) **Patent No.:** **US D768,791 S**  
**Beaver et al.** (45) **Date of Patent:** **\*\* Oct. 11, 2016**

(54) **SUPPORT ARM FOR BOX**

- (71) Applicant: **Beaverfit Limited**, Shropshire (GB)
- (72) Inventors: **Thomas Edward Beaver**, Shropshire (GB); **Richard James Beaver**, Shropshire (GB)
- (73) Assignee: **Beaverfit Limited**, Shropshire (GB)
- (\*\*) Term: **14 Years**
- (21) Appl. No.: **29/509,716**
- (22) Filed: **Nov. 20, 2014**
- (51) **LOC (10) Cl.** ..... **21-02**
- (52) **U.S. Cl.**  
USPC ..... **D21/686**
- (58) **Field of Classification Search**  
USPC ..... D21/686, 690, 676, 662, 691, 673, 697, D21/797, 826, 694, 671, 685, 688, 689; 482/129, 92, 104, 142, 57, 63, 138, 94, 482/106, 108, 908, 130, 146, 147, 34, 135, 482/101, 97, 139, 62, 51, 37, 121, 126, 148, 482/113, 137; D6/708, 552, 675, 675.5, D6/349, 301; D3/307, 273, 276, 298, 277, D3/294, 350; D7/510, 511; D12/114, 411, D12/414.1; D25/1, 33, 126  
CPC ..... A63B 22/0605; A63B 21/4029; A63B 23/0211; A63B 21/225; A63B 21/4035; A63B 21/078  
See application file for complete search history.

(56) **References Cited**

**U.S. PATENT DOCUMENTS**

- 2,219,219 A 10/1940 Boger
  - 2,632,645 A 3/1953 Barkschat
- (Continued)

**FOREIGN PATENT DOCUMENTS**

- DE 20110717 U1 9/2001
  - EP 0384702 A1 8/1990
- (Continued)

**OTHER PUBLICATIONS**

The Tactical Gym Box by TACWRK Blog dated Apr. 10, 2014. Found online [Feb. 5, 2016] <http://www.tacwrk.com/blog/5-11-recon-serie/2014/04>.\*

(Continued)

*Primary Examiner* — Robert M Spear  
*Assistant Examiner* — Ryan Harvey  
(74) *Attorney, Agent, or Firm* — Fay Sharpe LLP

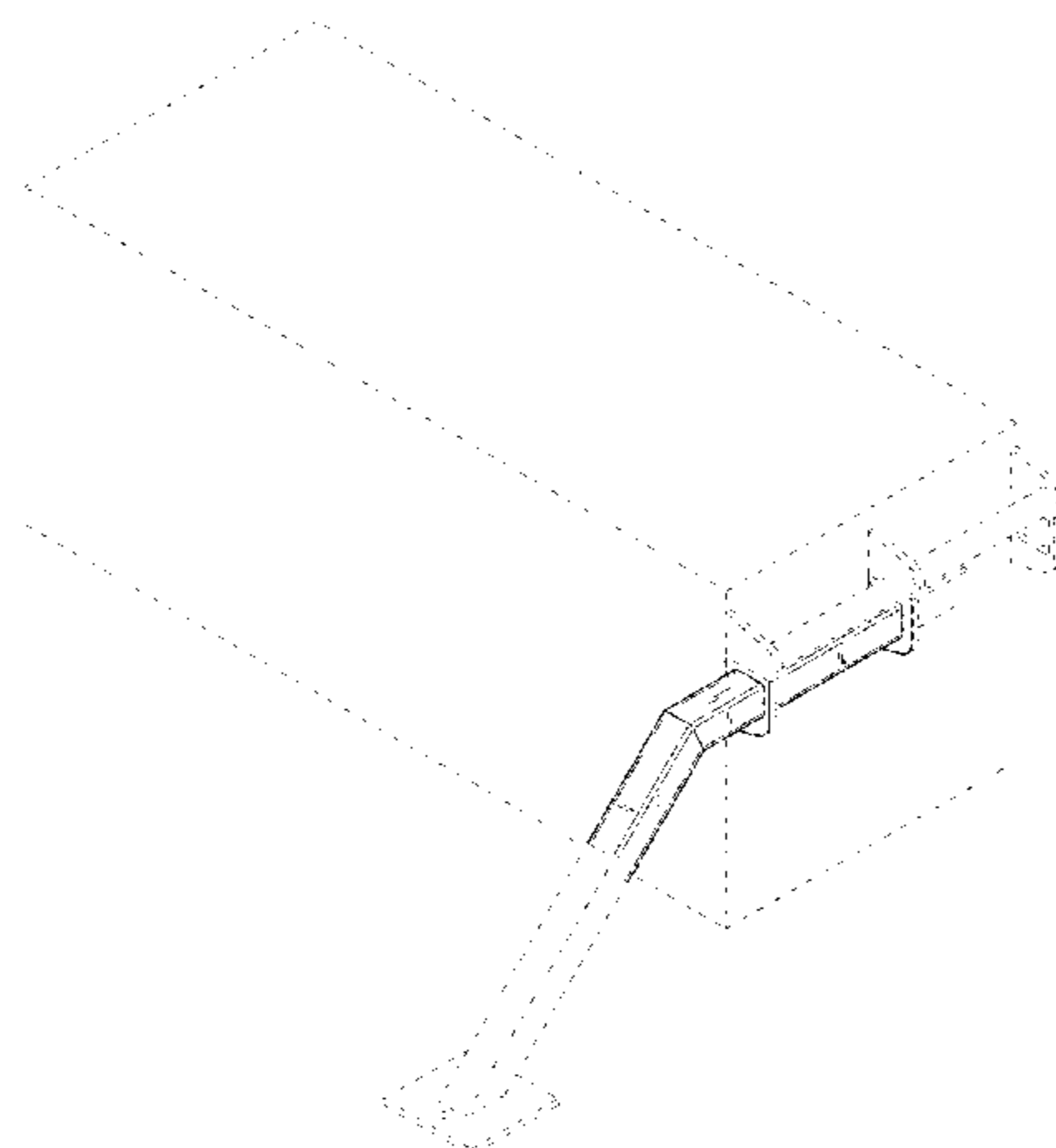
(57) **CLAIM**

The ornamental design for a support arm for box, as shown and described.

**DESCRIPTION**

FIG. 1 is a perspective view of a first embodiment of a support arm for box showing our new design  
FIG. 2 is side elevation view thereof;  
FIG. 3 is an end elevational view thereof;  
FIG. 4 is a top plan view thereof;  
FIG. 5 is an enlarged detailed view of a portion of FIG. 1;  
FIG. 6 is a perspective view of a second embodiment of a support arm for box showing our new design;  
FIG. 7 is a side elevation view thereof;  
FIG. 8 is an end elevational view thereof;  
FIG. 9 is a top plan view thereof;  
FIG. 10 is an enlarged detail view of a portion of FIG. 6;  
FIG. 11 is a perspective view of a third embodiment of a support arm for box showing our new design;  
FIG. 12 is side elevation view thereof;  
FIG. 13 is an end elevational view thereof;  
FIG. 14 is a top plan view thereof;  
FIG. 15 is an enlarged view of a portion of FIG. 11;  
FIG. 16 is a perspective view of a fourth embodiment of a support arm for box showing our new design;  
FIG. 17 is side elevation view thereof;  
FIG. 18 is an end elevational view thereof;  
FIG. 19 is a top plan view thereof; and,  
FIG. 20 is an enlarged detail view of a portion of FIG. 16.  
The broken lines illustrate environmental subject matter that forms no part of the claimed design.

**1 Claim, 20 Drawing Sheets**



(56)

References Cited

U.S. PATENT DOCUMENTS

2,682,402 A 6/1954 McCarthy  
 3,664,666 A 5/1972 Lloyd  
 3,874,657 A 4/1975 Niebojewski  
 4,300,761 A 11/1981 Howard  
 4,431,181 A 2/1984 Baswell  
 4,637,608 A \* 1/1987 Owens ..... A63B 21/4029  
 482/104  
 D289,782 S \* 5/1987 Szymski ..... D21/697  
 D290,033 S \* 5/1987 Policastro ..... D21/691  
 4,815,746 A \* 3/1989 Ward, Jr. .... A63B 21/078  
 482/104  
 4,921,245 A 5/1990 Roberts  
 4,927,135 A 5/1990 Nieppola  
 4,976,428 A 12/1990 Ghazi  
 4,976,623 A 12/1990 Owsley  
 5,013,035 A 5/1991 Nathaniel  
 D321,735 S \* 11/1991 Blubaugh ..... D21/673  
 5,242,345 A 9/1993 Mitchell  
 D356,351 S \* 3/1995 Watts ..... D21/691  
 5,405,306 A 4/1995 Goldsmith et al.  
 5,449,336 A 9/1995 Sabel  
 5,466,204 A 11/1995 Nearing  
 D368,288 S \* 3/1996 Kasbohm ..... D21/686  
 5,542,897 A 8/1996 Hall  
 5,575,742 A 11/1996 Wu  
 D381,715 S \* 7/1997 Reeder ..... D21/691  
 5,667,461 A 9/1997 Hall  
 D401,985 S \* 12/1998 Wheeler ..... D21/686  
 D408,480 S \* 4/1999 Haugo ..... D21/691  
 5,966,956 A 10/1999 Morris et al.  
 5,971,898 A \* 10/1999 Schoolfield ..... A63B 21/4029  
 482/104  
 6,027,429 A 2/2000 Daniels  
 D425,152 S \* 5/2000 Ceppo ..... D21/662  
 6,090,021 A 7/2000 Flowers et al.  
 D439,641 S \* 3/2001 Dumas ..... D23/341  
 D441,813 S \* 5/2001 Ceppo ..... 482/104  
 6,245,001 B1 6/2001 Siaperas  
 6,273,846 B1 8/2001 Savage et al.  
 6,280,361 B1 8/2001 Harvey et al.  
 6,350,221 B1 2/2002 Krull  
 6,422,981 B1 7/2002 Riser  
 6,454,683 B1 9/2002 Kaye  
 6,520,890 B2 2/2003 Hsu  
 6,554,747 B1 4/2003 Rempe  
 6,558,301 B1 5/2003 Jackson  
 6,612,845 B1 9/2003 Macri et al.  
 6,634,998 B2 10/2003 Siaperas  
 D495,380 S \* 8/2004 Ceppo ..... D21/686  
 D495,381 S \* 8/2004 Ceppo ..... D21/686  
 D495,383 S \* 8/2004 Ceppo ..... D21/686  
 6,881,178 B1 \* 4/2005 Goldberg ..... A63B 22/0605  
 482/57  
 7,070,547 B1 \* 7/2006 Pater ..... A63B 21/078  
 482/104

7,311,642 B2 12/2007 Li et al.  
 D565,132 S \* 3/2008 Lien ..... D21/686  
 7,520,840 B2 4/2009 Shifferaw  
 D597,614 S \* 8/2009 Goddard ..... D21/686  
 7,614,988 B1 11/2009 Kiser  
 D666,259 S \* 8/2012 Garcia ..... D21/686  
 D671,997 S \* 12/2012 Lien ..... D21/662  
 D678,963 S \* 3/2013 James ..... D21/676  
 8,485,951 B1 7/2013 Adams  
 D727,444 S \* 4/2015 Dixon ..... D21/690  
 D731,601 S \* 6/2015 Bradley ..... D21/686  
 2002/0078861 A1 6/2002 Davis  
 2003/0146212 A1 8/2003 Mai et al.  
 2003/0213188 A1 11/2003 Bigelow  
 2004/0237870 A1 12/2004 Clarke et al.  
 2005/0032612 A1 2/2005 Keiser  
 2005/0032613 A1 2/2005 Wehrell  
 2006/0052220 A1 3/2006 Jackson et al.  
 2006/0199706 A1 9/2006 Wehrell  
 2006/0293156 A1 12/2006 Trees  
 2007/0032357 A1 2/2007 Piane, Jr.  
 2007/0113487 A1 5/2007 Warminsky  
 2007/0117503 A1 5/2007 Warminsky  
 2007/0232461 A1 10/2007 Jenkins et al.  
 2009/0023566 A1 1/2009 Florczak  
 2009/0072111 A1 3/2009 Piane, Jr.  
 2009/0098987 A1 4/2009 McBride et al.  
 2009/0124464 A1 5/2009 Kastelic  
 2009/0143160 A1 6/2009 Hoganson  
 2009/0176588 A1 7/2009 Lochtefeld  
 2009/0215594 A1 8/2009 Panaiotov  
 2009/0282749 A1 11/2009 Warminsky  
 2010/0124996 A1 5/2010 Lindsay  
 2010/0300906 A1 12/2010 Moore  
 2011/0152046 A1 6/2011 Rochford  
 2011/0195822 A1 8/2011 Donofrio  
 2011/0319230 A1 12/2011 Brendle  
 2012/0077429 A1 3/2012 Wernimont et al.  
 2012/0142506 A1 6/2012 Hetrick et al.  
 2012/0144762 A1 6/2012 Eatock et al.  
 2012/0214651 A1 \* 8/2012 Ross ..... A63B 21/0442  
 482/129  
 2015/0290488 A1 10/2015 Hopperstad et al.

FOREIGN PATENT DOCUMENTS

GB 648641 A 1/1951  
 WO WO 2014/027086 2/2014

OTHER PUBLICATIONS

<https://www.youtube.com/watch?v=MsDAULtypz4>, Jul. 2, 2012  
 [Accessed Dec. 3, 2014] 1 page.  
<https://crossfitpenrith.blogspot.co.uk/2009/08/rest-day.html#comment-form>, Aug. 2, 2009 [Accessed Dec. 3, 2014] 1 page.

\* cited by examiner

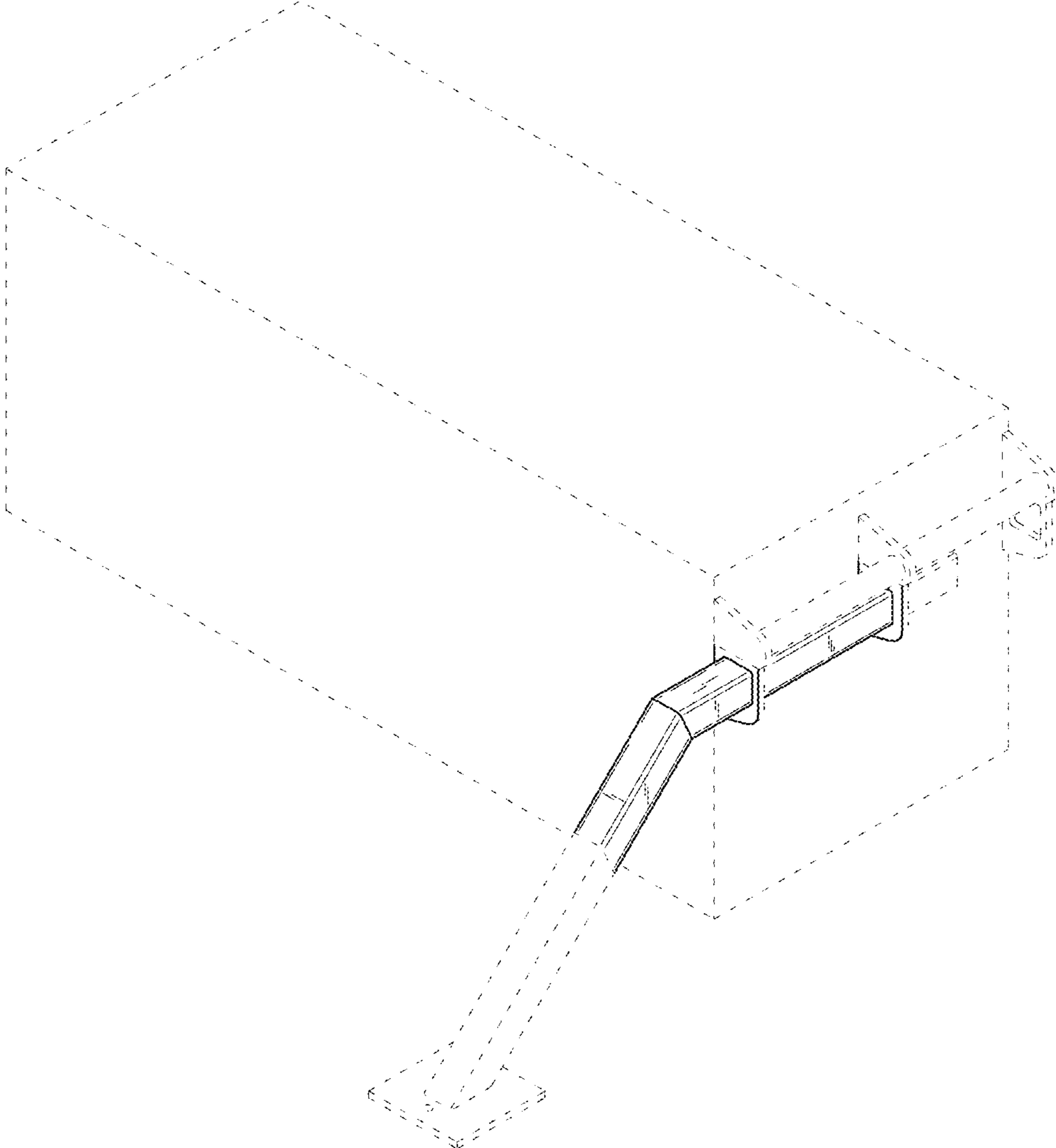


Fig. 1



Fig. 2

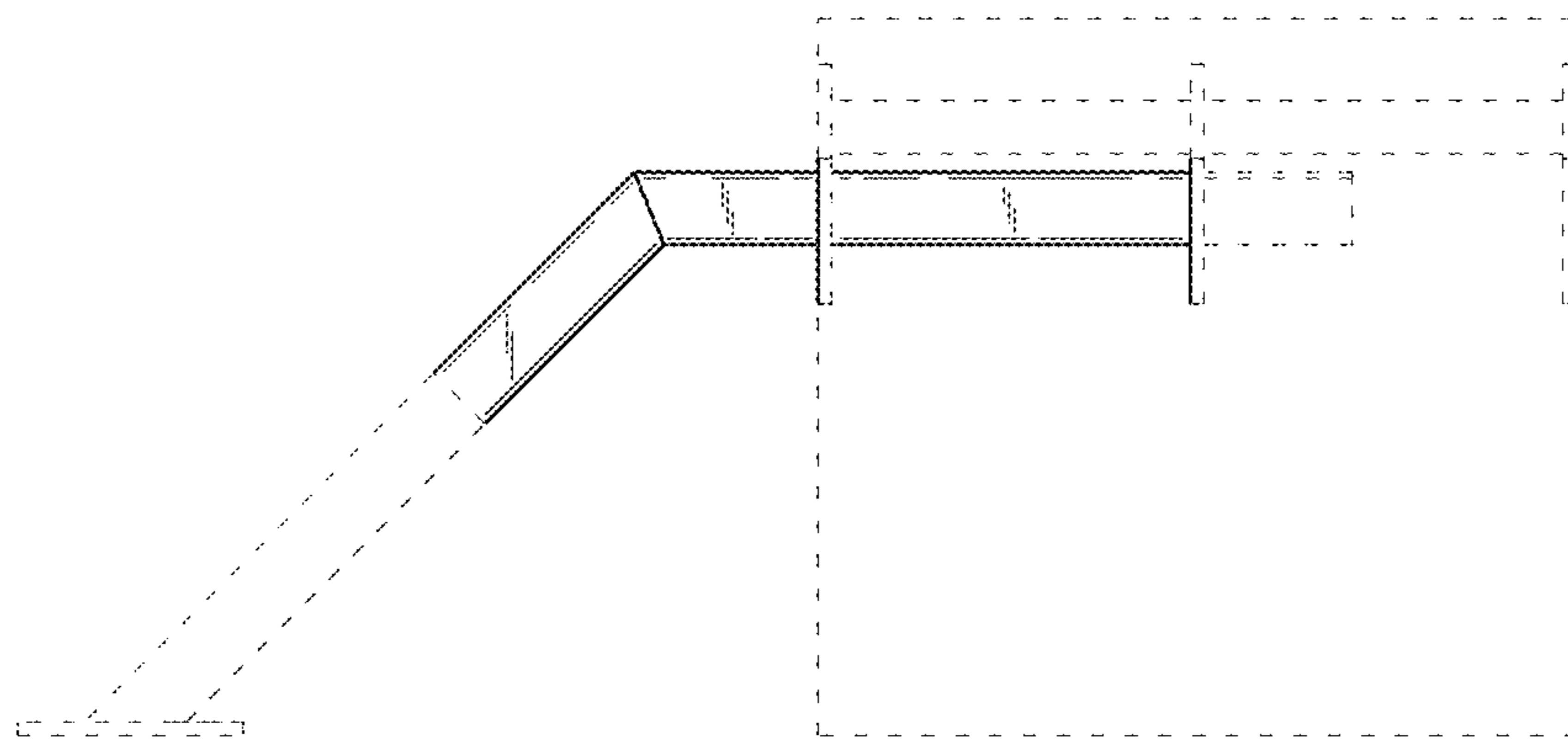


Fig. 3

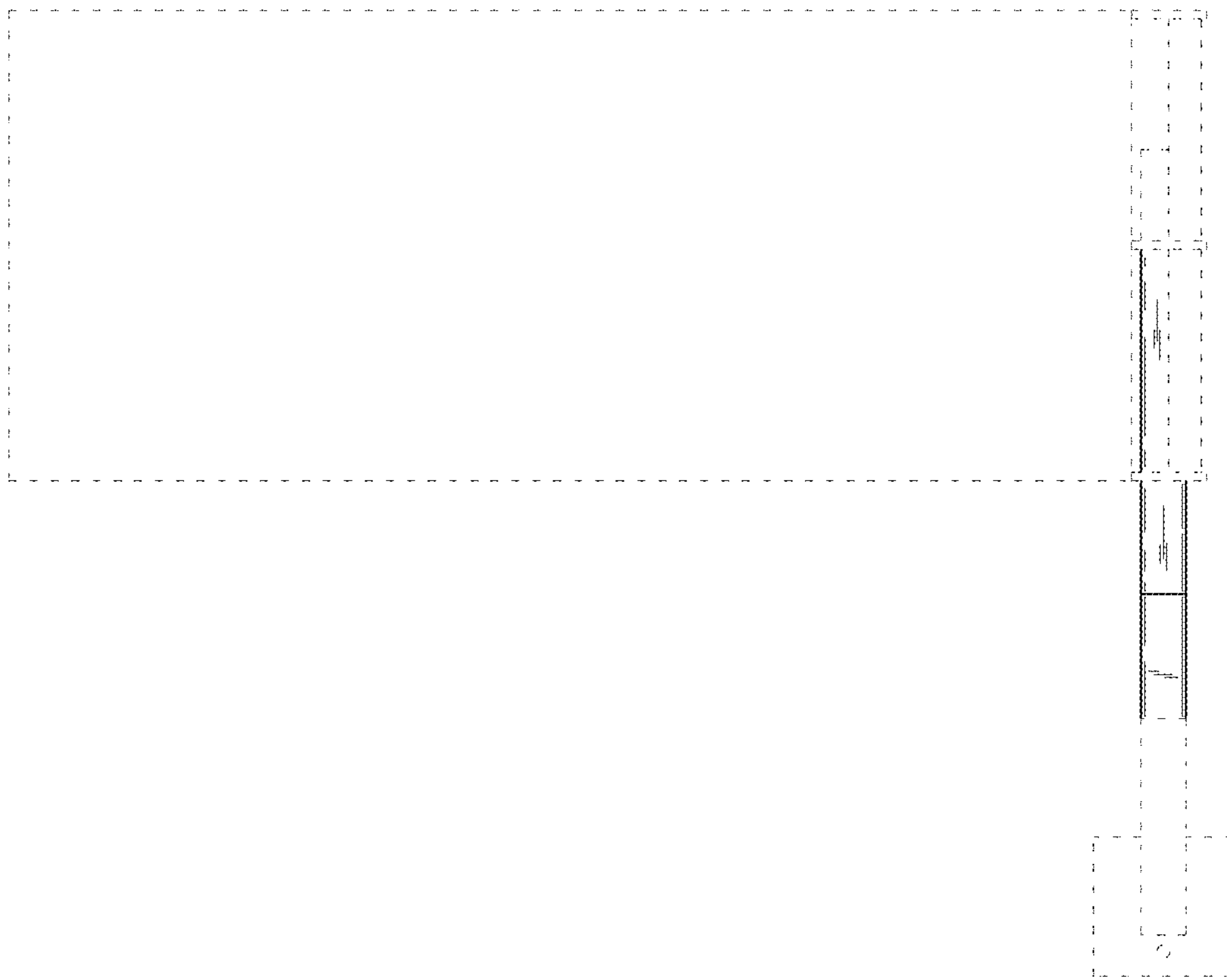


Fig. 4

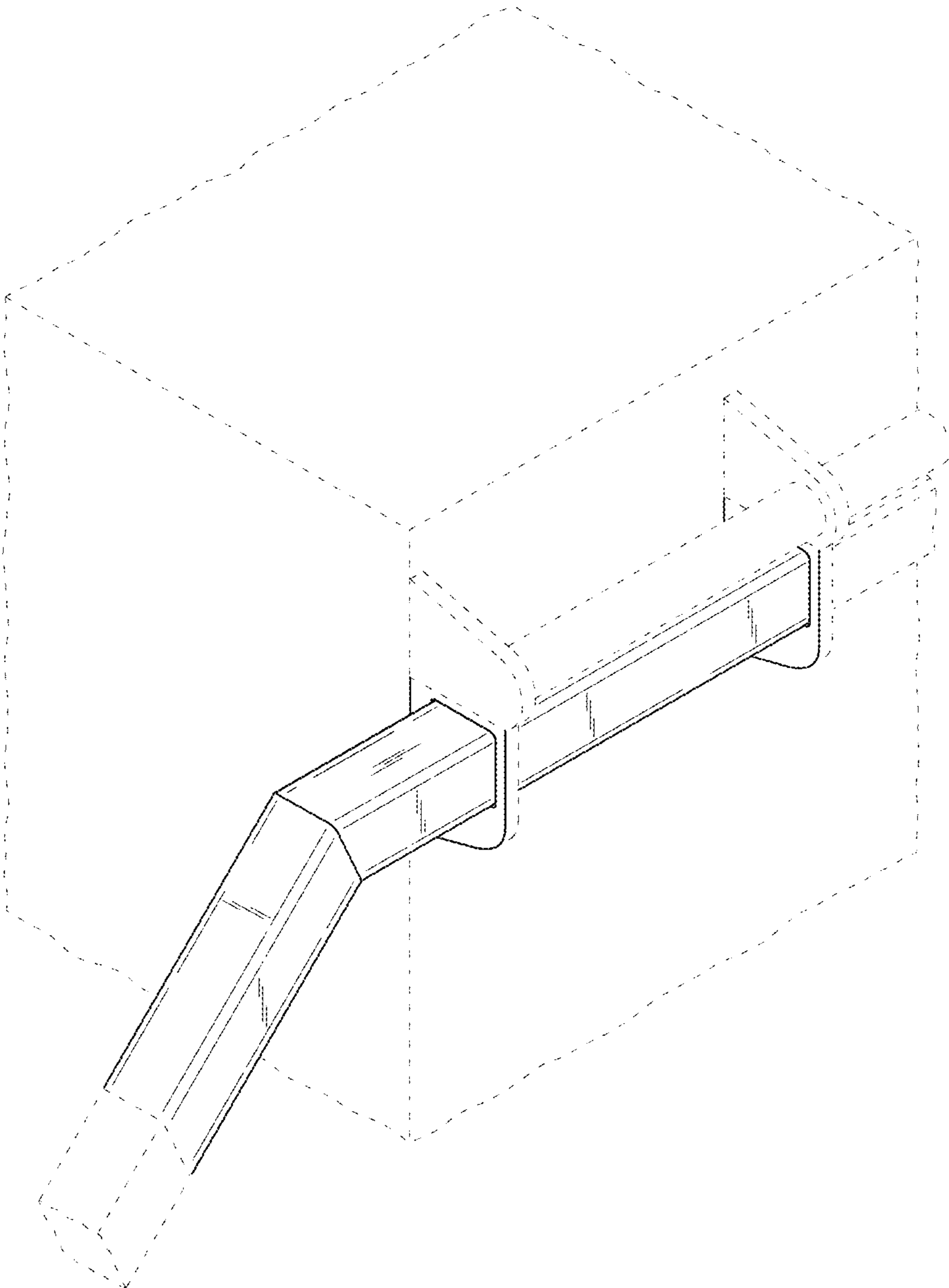


Fig. 5

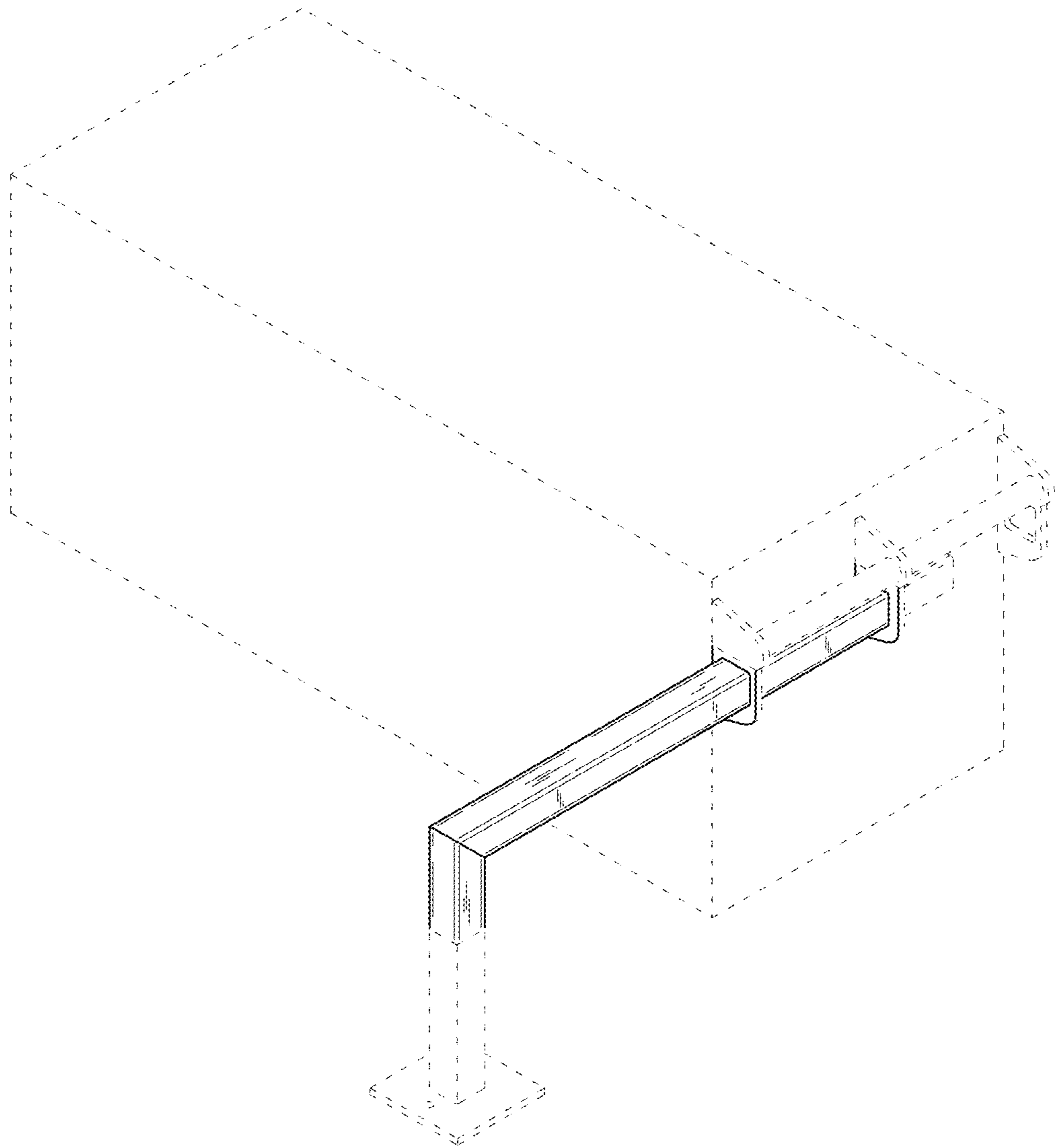


Fig. 6





Fig. 7

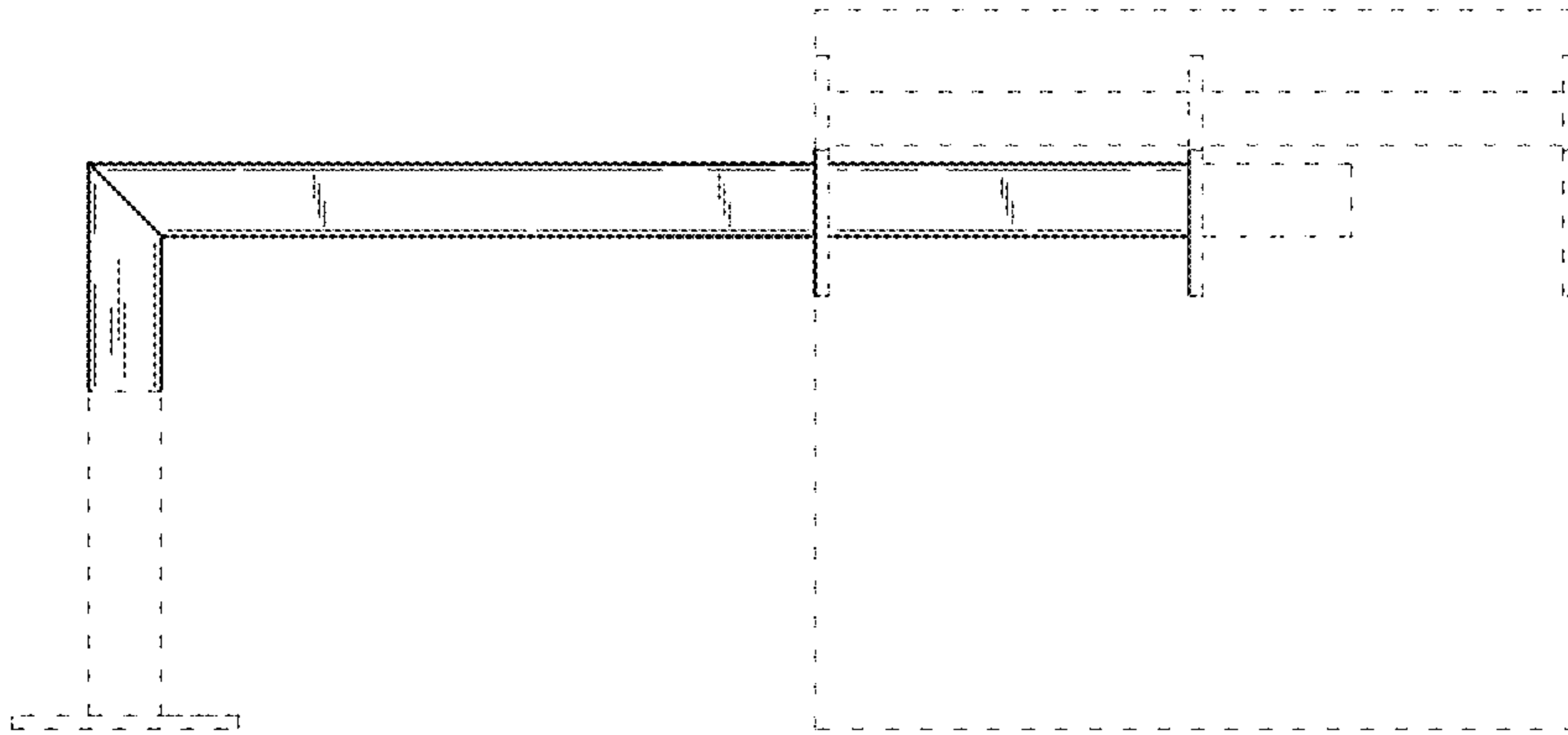


Fig. 8

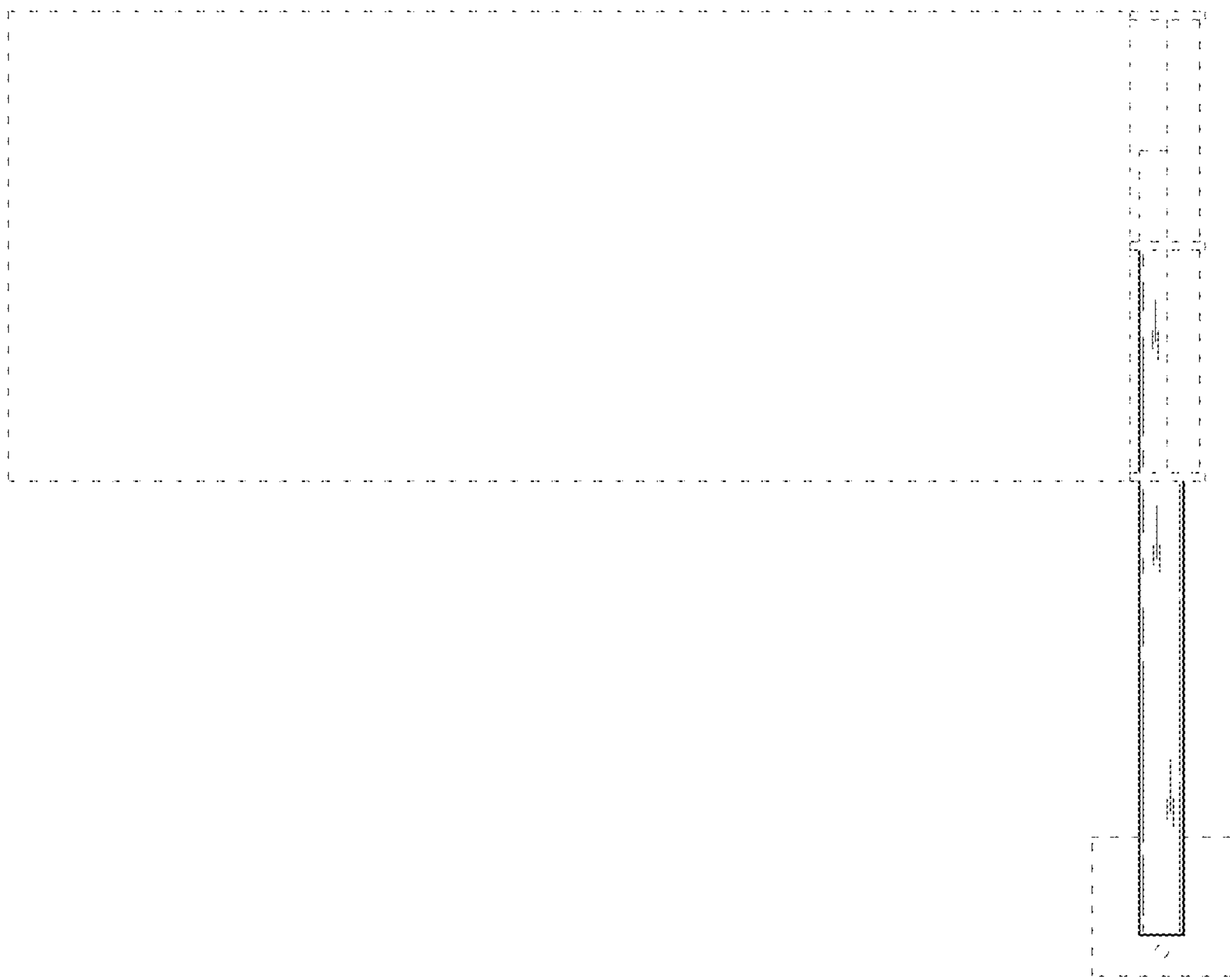


Fig. 9

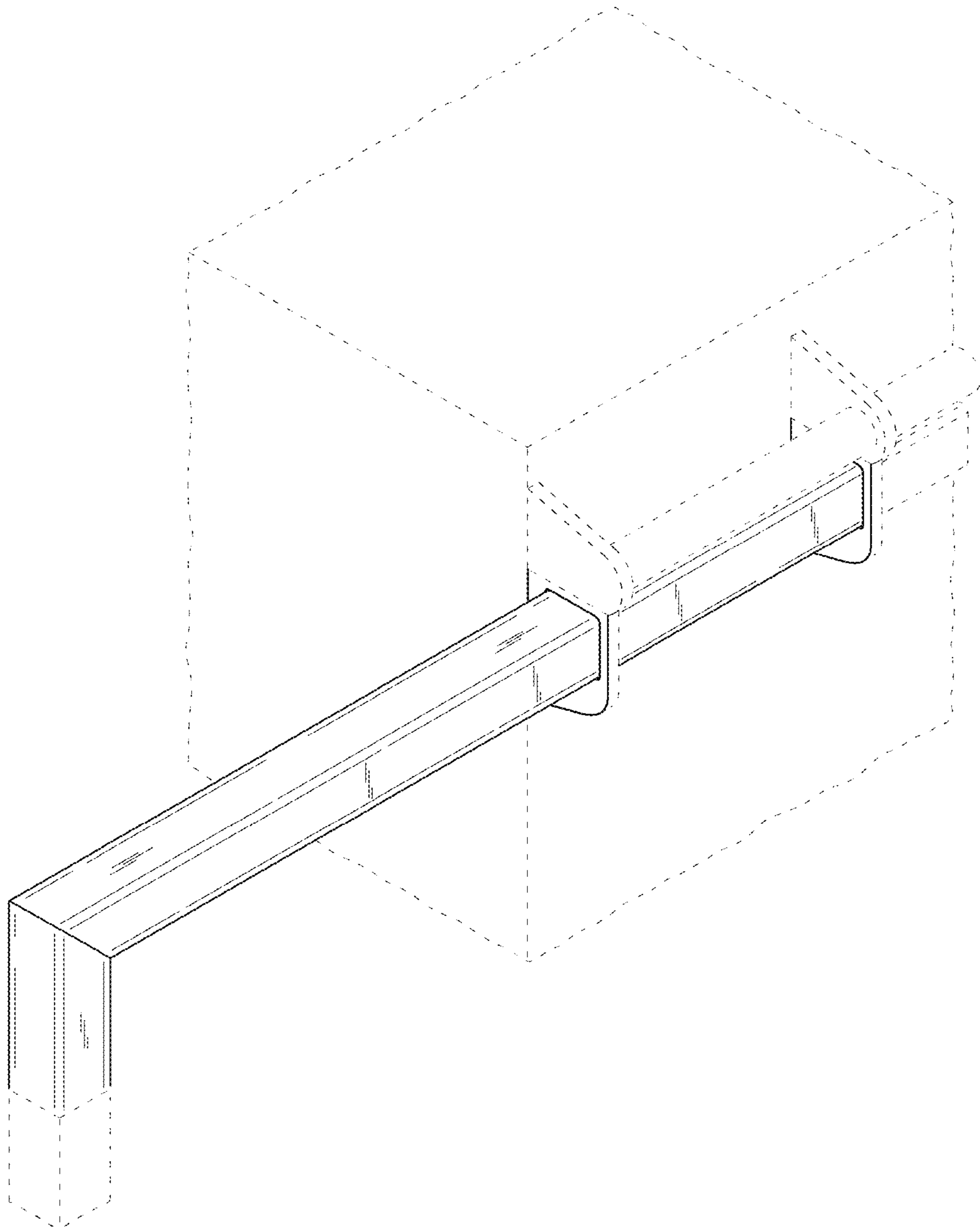


Fig. 10

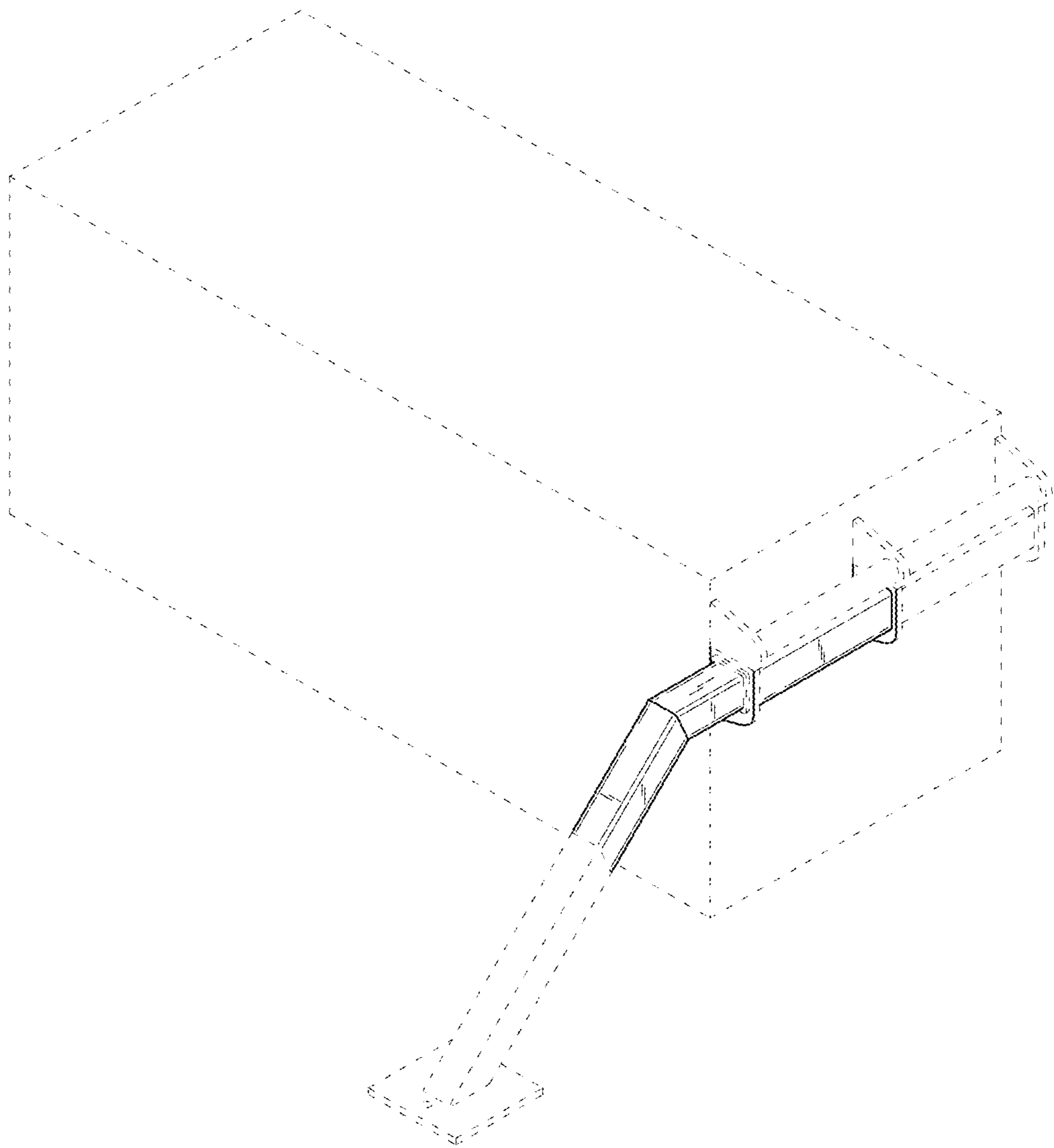


Fig. 11



Fig. 12

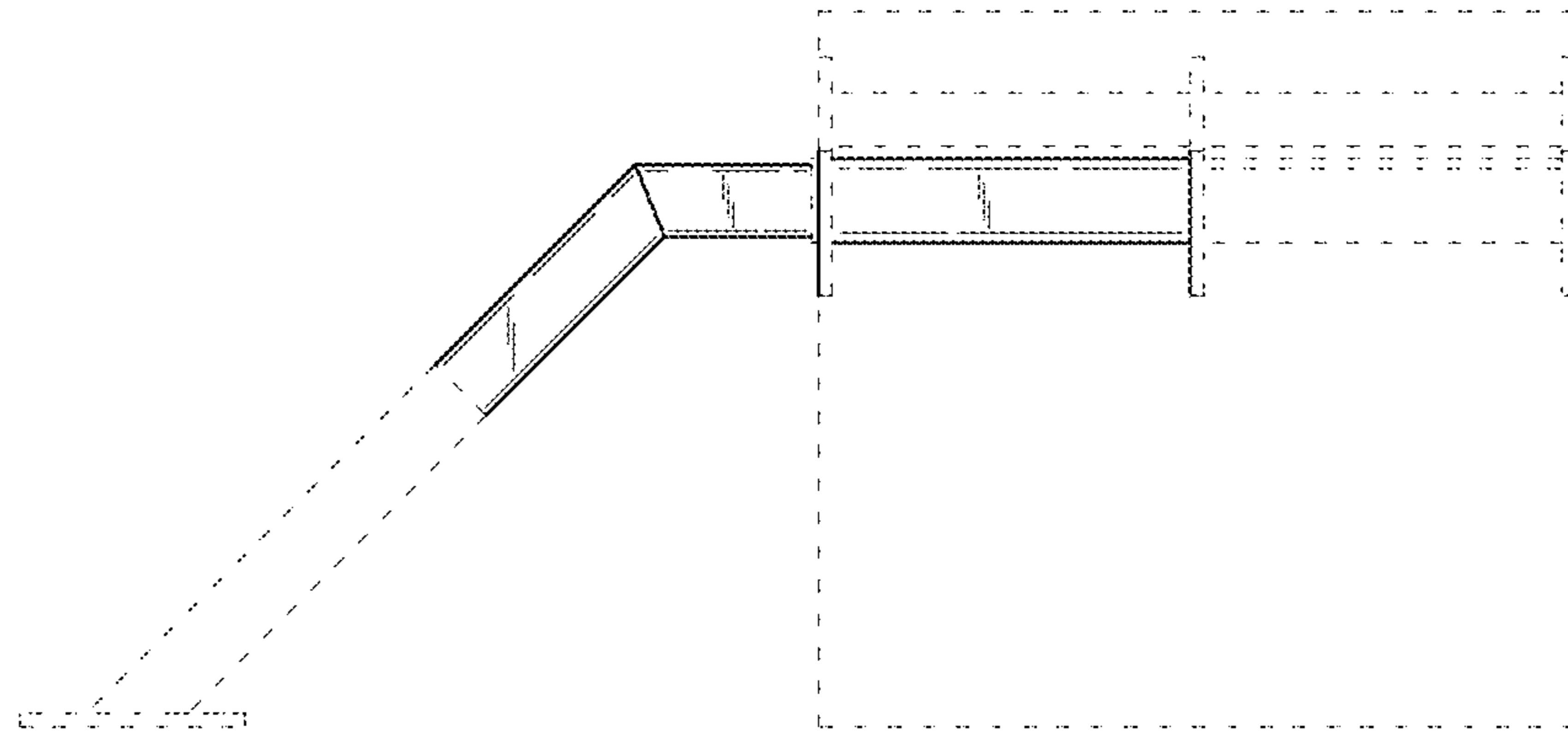


Fig. 13

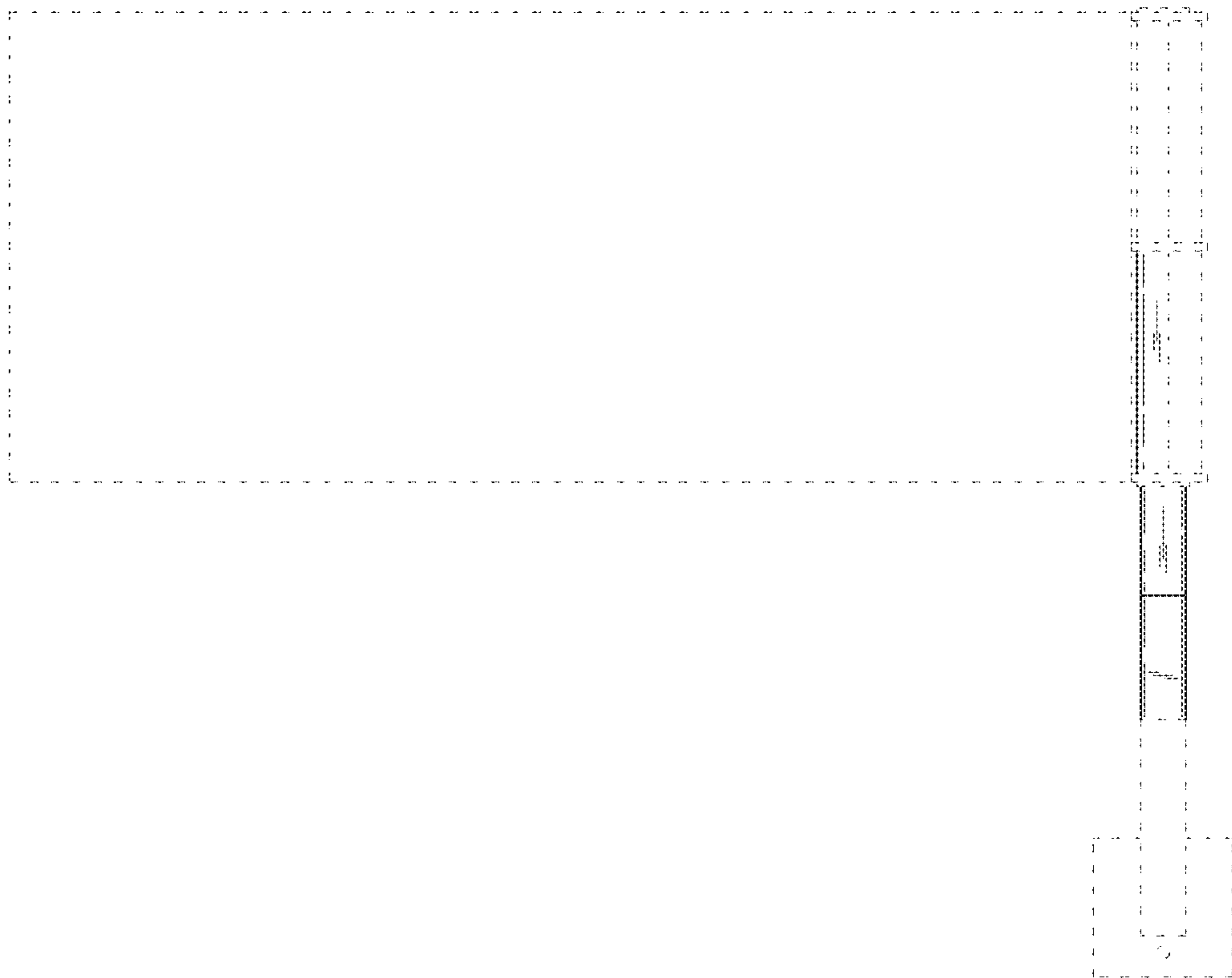


Fig. 14



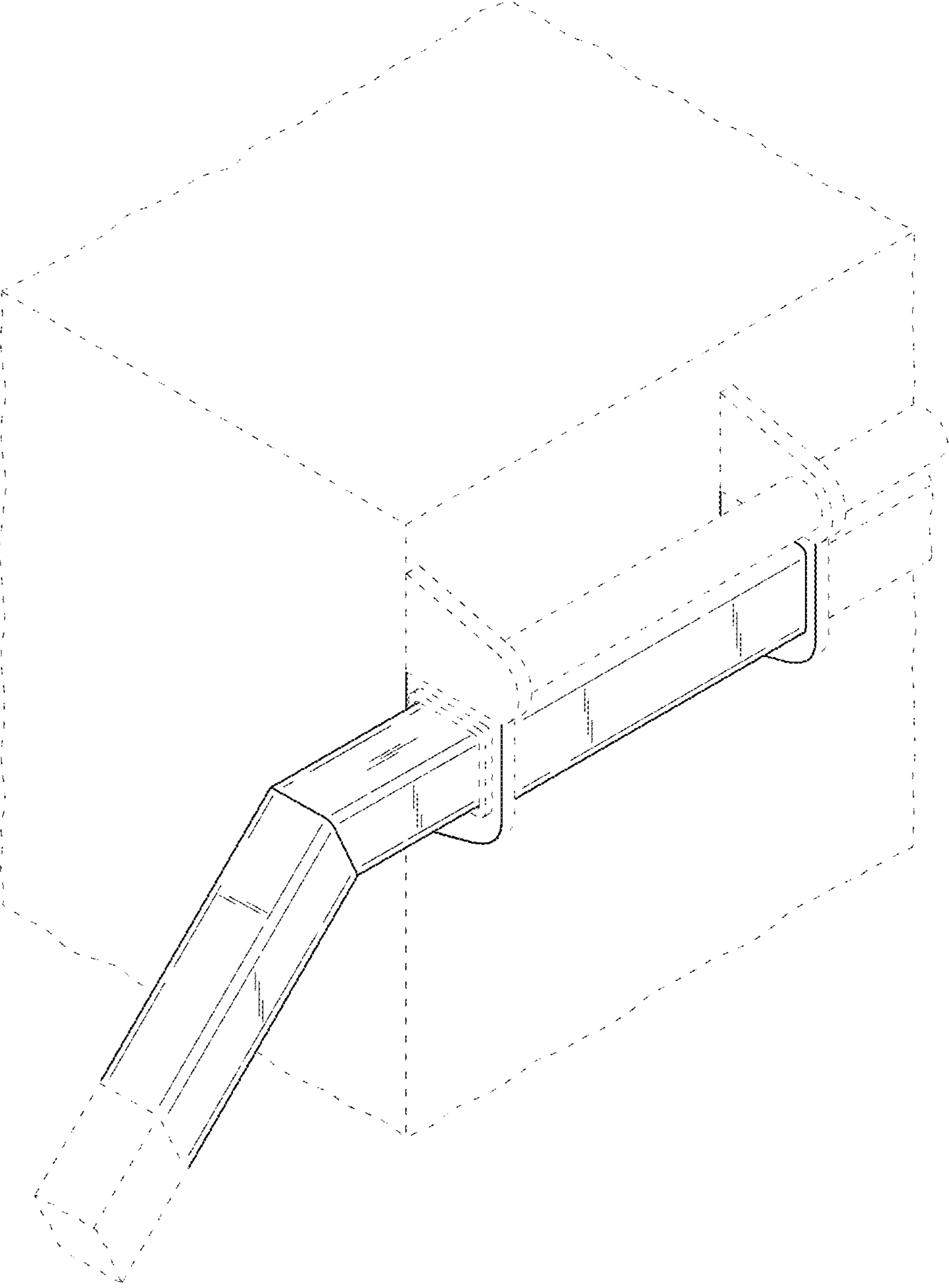


Fig. 15

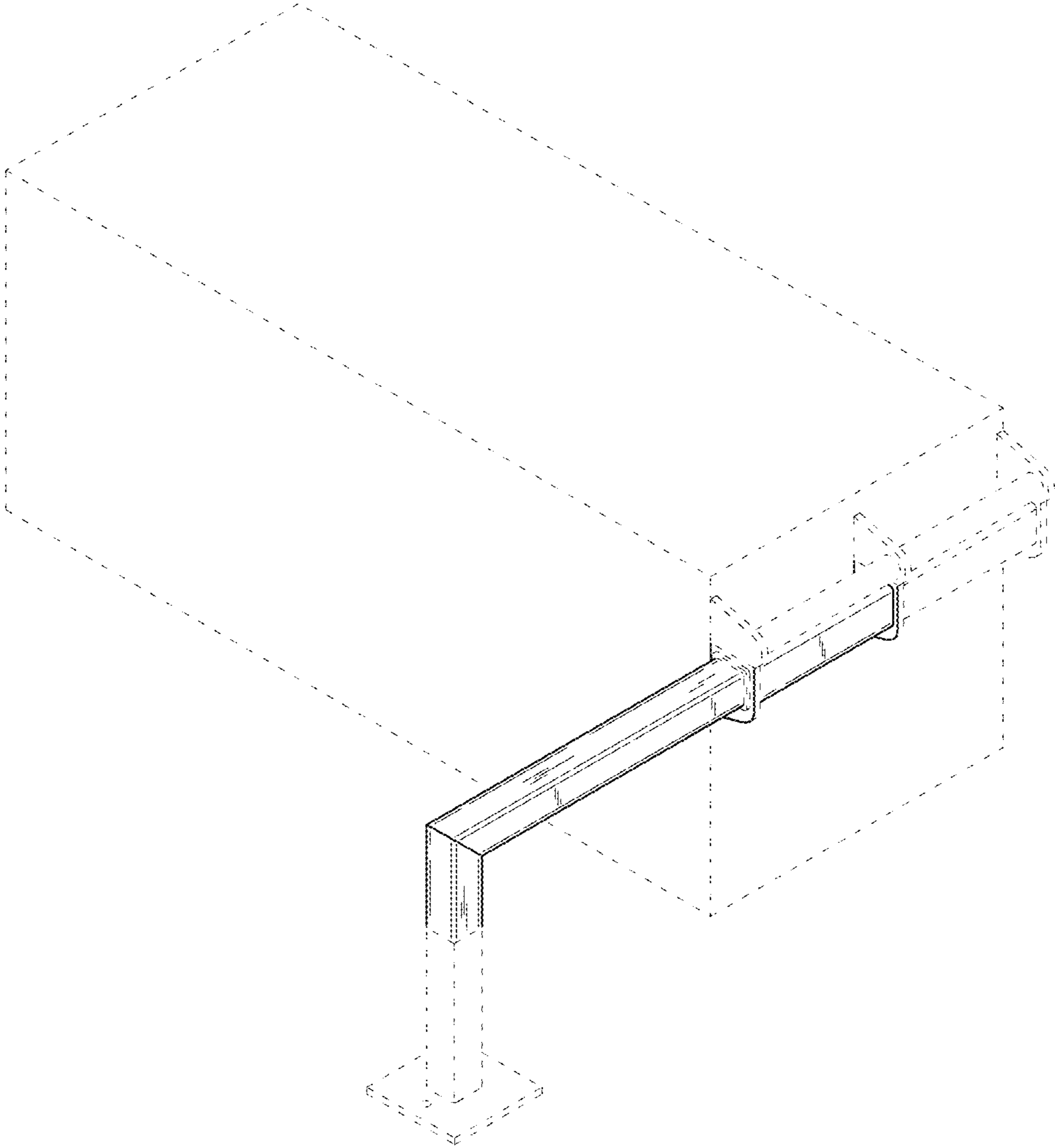


Fig. 16



Fig. 17

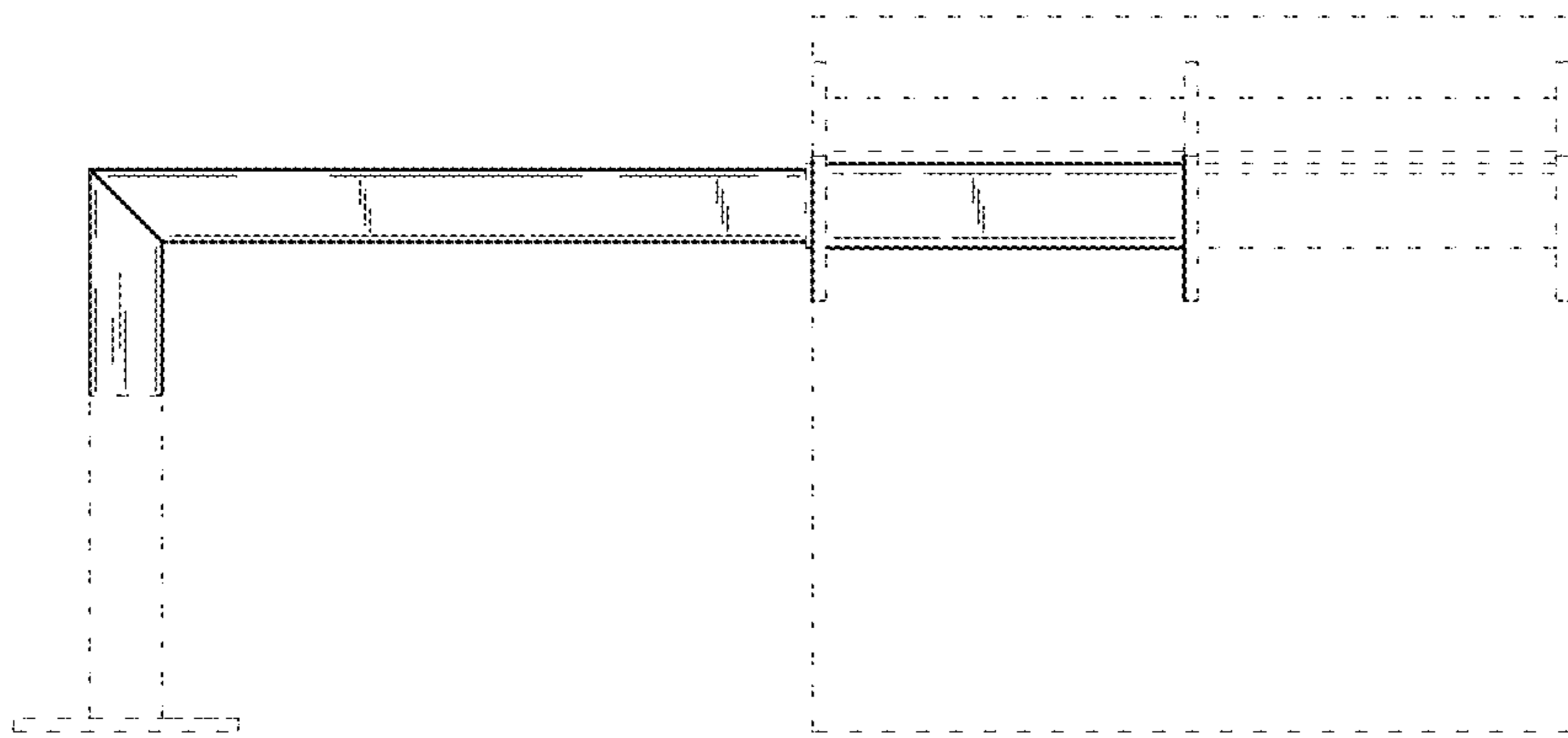


Fig. 18

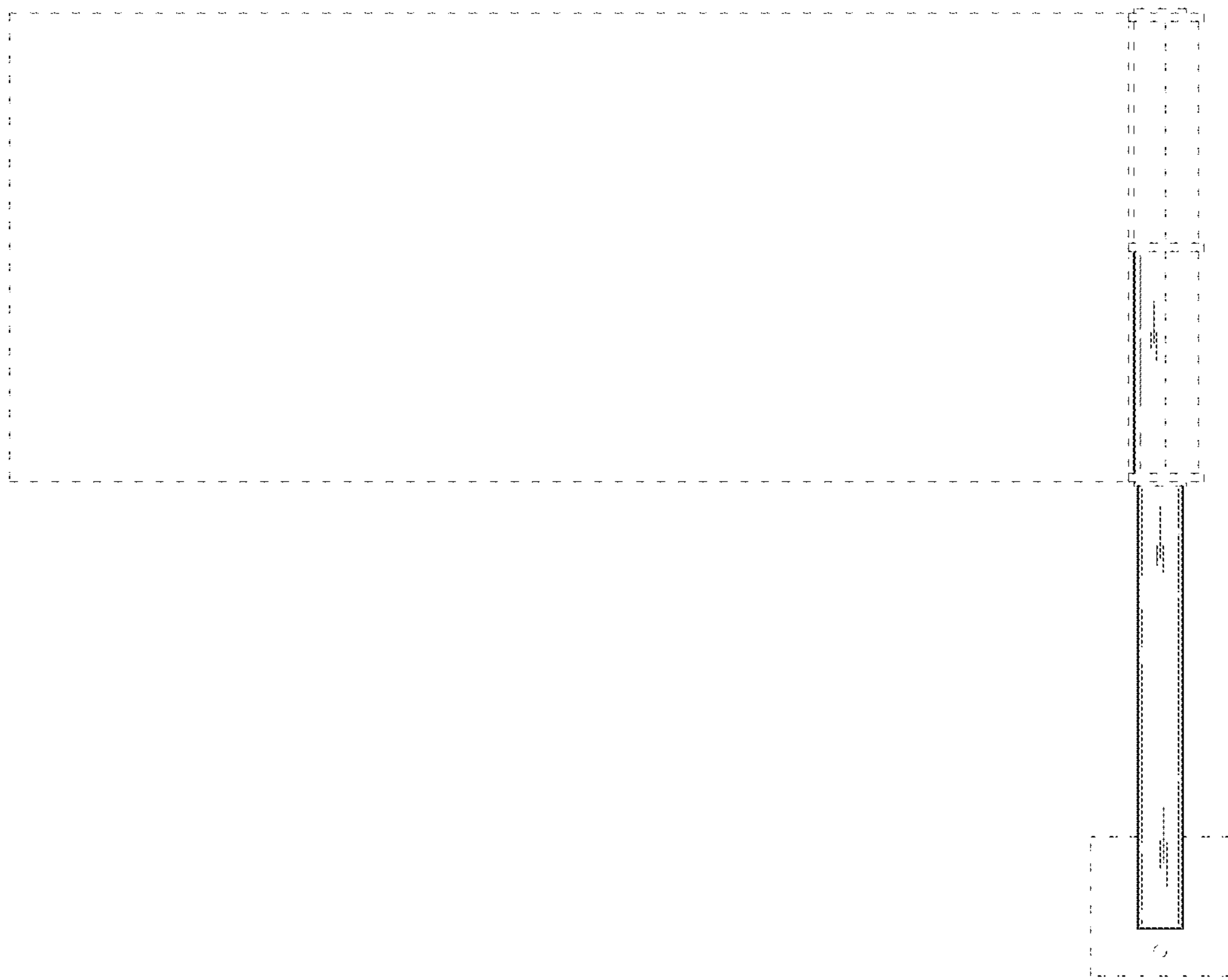


Fig. 19

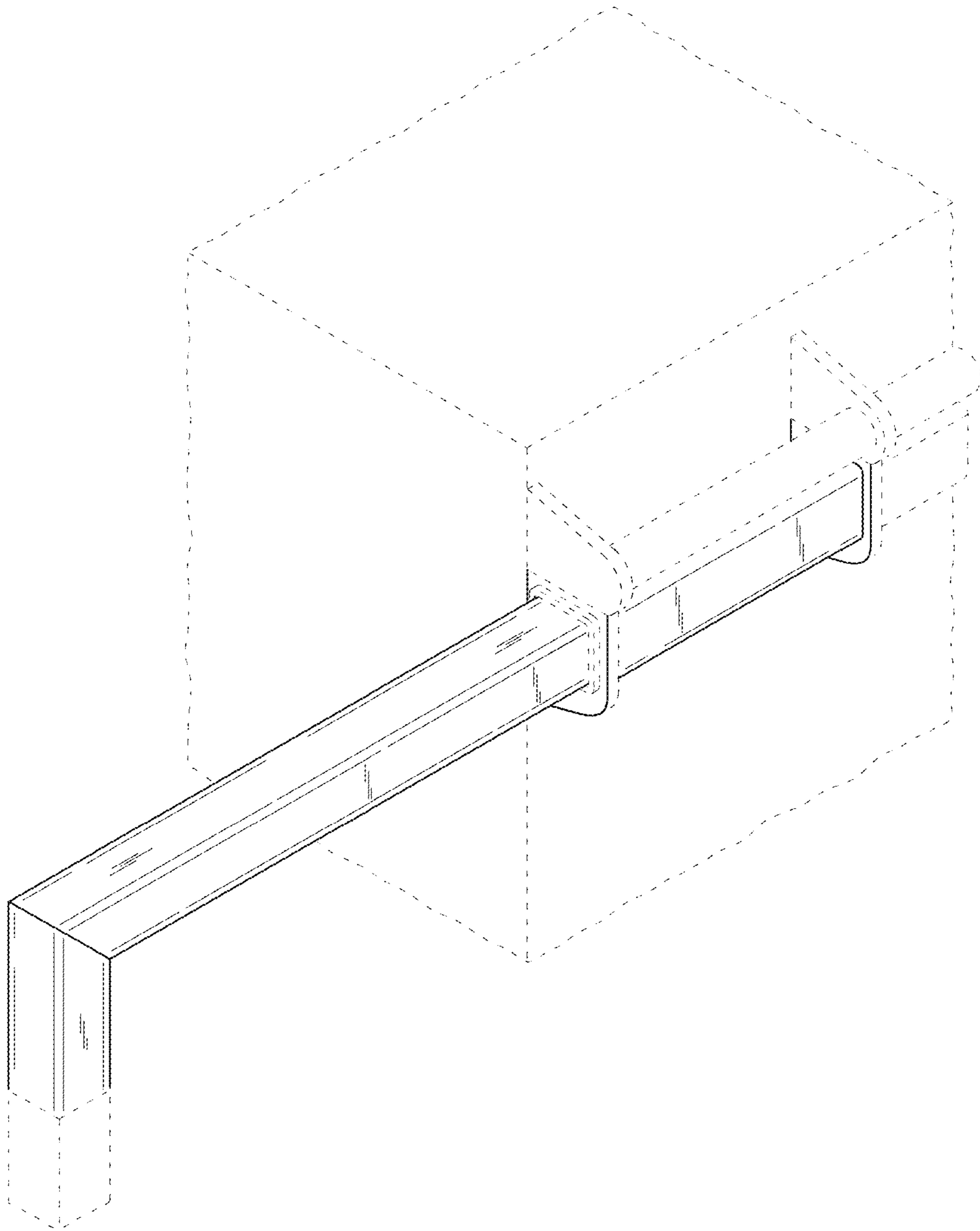


Fig. 20