



US00D768789S

(12) **United States Design Patent**
Fargeau et al.

(10) **Patent No.:** **US D768,789 S**
(45) **Date of Patent:** **** Oct. 11, 2016**

(54) **FLYING TOY**

3,053,480 A * 9/1962 Vanderlip 244/17.13
3,253,806 A * 5/1966 Eickmann 244/17.23
3,327,801 A * 6/1967 Ezra 180/21

(71) Applicant: **PARROT**, Paris (FR)

(Continued)

(72) Inventors: **Karim Fargeau**, Charenton le Pont (FR); **Gauthier Lavagen**, Paris (FR)

Primary Examiner — Robert M Spear
Assistant Examiner — Marissa J. Cash

(73) Assignee: **Parrot Drones**, Paris (FR)

(74) *Attorney, Agent, or Firm* — Marshall, Gerstein & Borun LLP

(**) Term: **14 Years**

(57) **CLAIM**

The ornamental design for a flying toy, as shown and described.

(21) Appl. No.: **29/477,473**

DESCRIPTION

(22) Filed: **Dec. 23, 2013**

(30) **Foreign Application Priority Data**

Jun. 12, 2013 (EM) 002365270-0001
Jun. 12, 2013 (EM) 002365270-0002

(51) **LOC (10) Cl.** **21-01**

(52) **U.S. Cl.**
USPC **D21/441**; D12/16.1

(58) **Field of Classification Search**
USPC D12/1, 2, 16.1, 319-345; D21/430, D21/436-454
CPC A63H 27/00; A63H 27/02; A63H 27/04; A63H 27/12; B64C 2201/024; B64C 2201/108; B64C 2201/165; B64C 2203/00; B64C 39/00; B64C 39/006; B64C 39/024; B64C 39/028
See application file for complete search history.

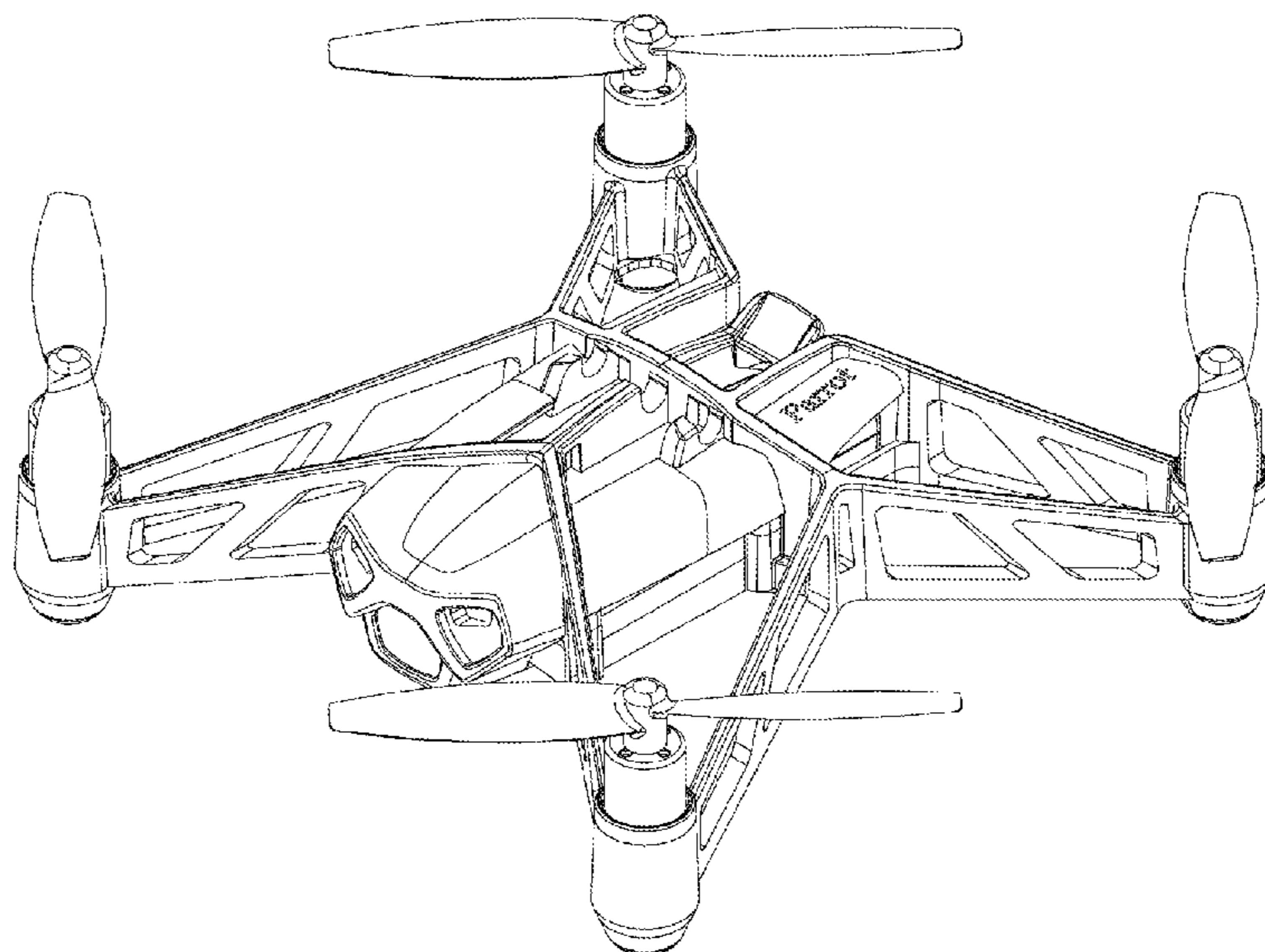
FIG. 1 is a top, right, and front isometric view of a flying toy showing the new design.
FIG. 2 is a front elevational view of the flying toy.
FIG. 3 is a rear elevational view of the flying toy.
FIG. 4 is a left-side elevational view of the flying toy.
FIG. 5 is a right-side elevational view of the flying toy.
FIG. 6 is a top plan view of the flying toy.
FIG. 7 is a bottom plan view of the flying toy.
FIG. 8 is a top, right, and front isometric view of the flying toy shown in an alternate environment.
FIG. 9 is a front elevational view of the flying toy as seen in FIG. 8.
FIG. 10 is a rear elevational view of the toy as seen in FIG. 8.
FIG. 11 is a left-side elevational view of the toy as seen in FIG. 8.
FIG. 12 is a right-side elevational view of the toy as seen in FIG. 8.
FIG. 13 is a top plan view of the toy as seen in FIG. 8; and, FIG. 14 is a bottom plan view of the toy as seen in FIG. 8. The indicia depicted by broken lines in FIGS. 1, 2, 5, 6, 8, and 13 form no part of the claimed design. The structure depicted by broken lines in FIGS. 8-14 represents environment that form no part of the claimed design.

(56) **References Cited**

U.S. PATENT DOCUMENTS

89,128 A * 4/1869 Cohu 280/206
1,749,471 A * 3/1930 De Bothezat 416/130
2,909,145 A * 10/1959 De Hertelendy 180/218

1 Claim, 11 Drawing Sheets



US D768,789 S

Page 2

(56)

References Cited

U.S. PATENT DOCUMENTS

3,345,016 A *	10/1967	Eickmann	244/17.23	4,173,321 A *	11/1979	Eickmann	244/17.23
3,768,757 A *	10/1973	Eickmann	244/17.23	4,505,346 A *	3/1985	Mueller	180/7.4
4,090,324 A *	5/1978	Compton	446/267	5,366,034 A *	11/1994	Meyers	180/21
					D628,658 S *	12/2010	Wurm	D21/442
					2014/0319266 A1 *	10/2014	Moschetta et al.	244/13

* cited by examiner

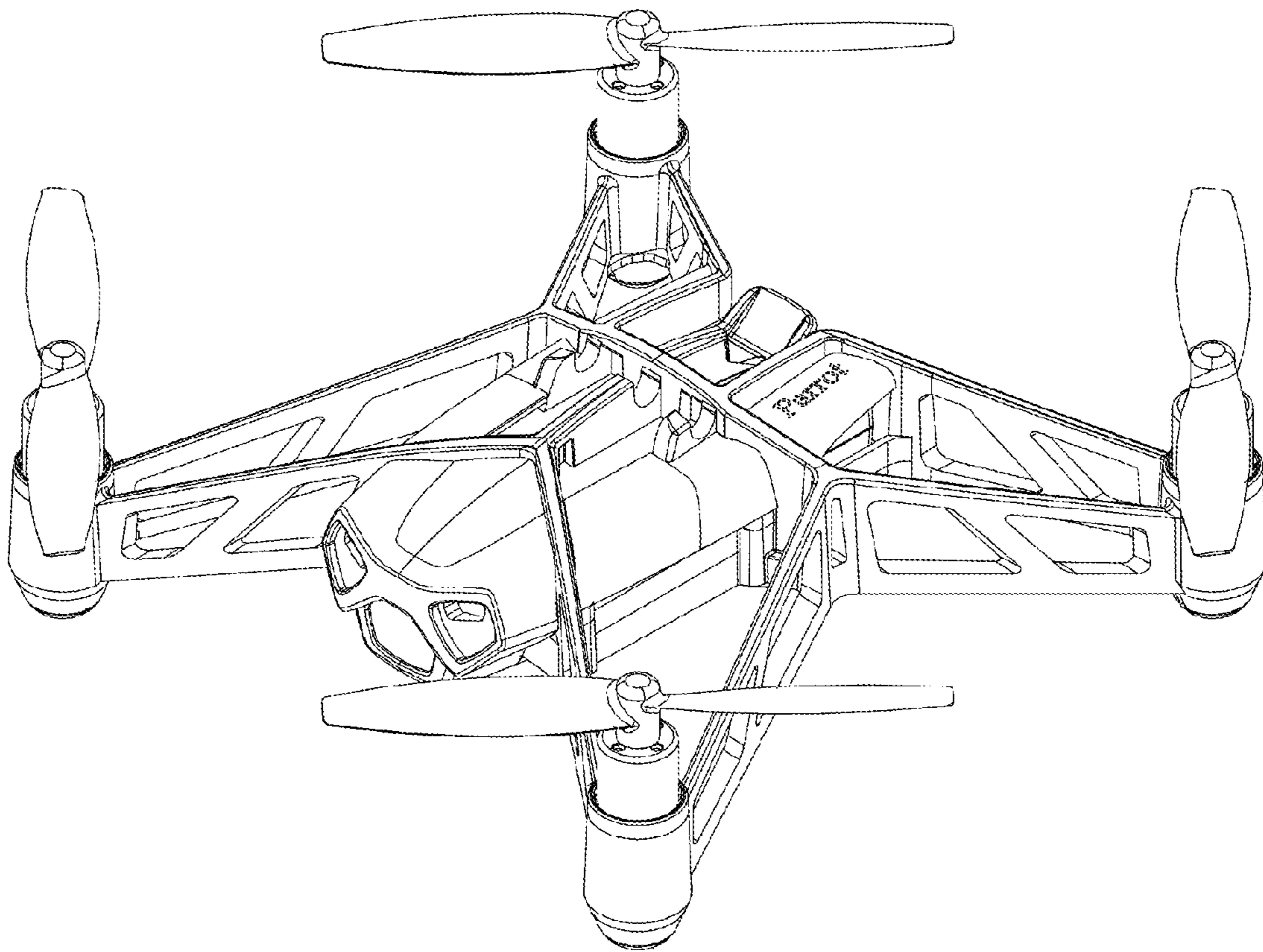


Fig. 1

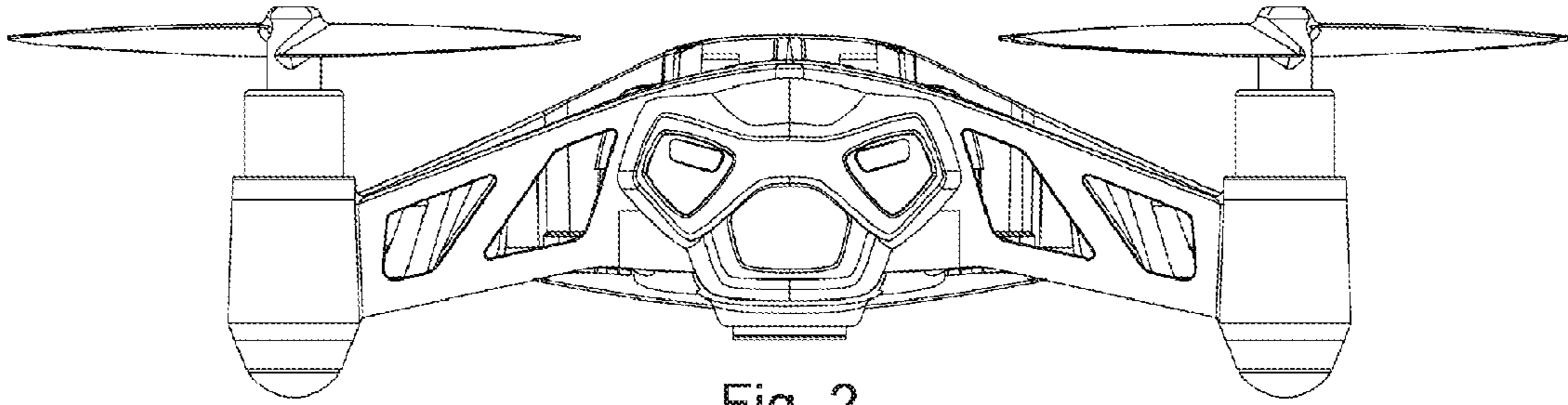


Fig. 2

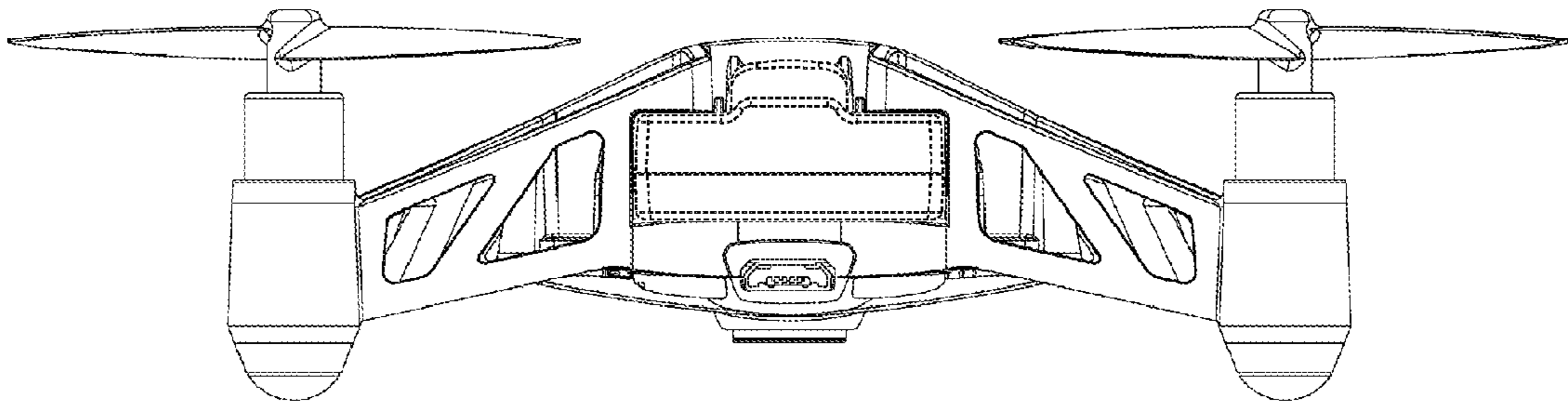


Fig. 3

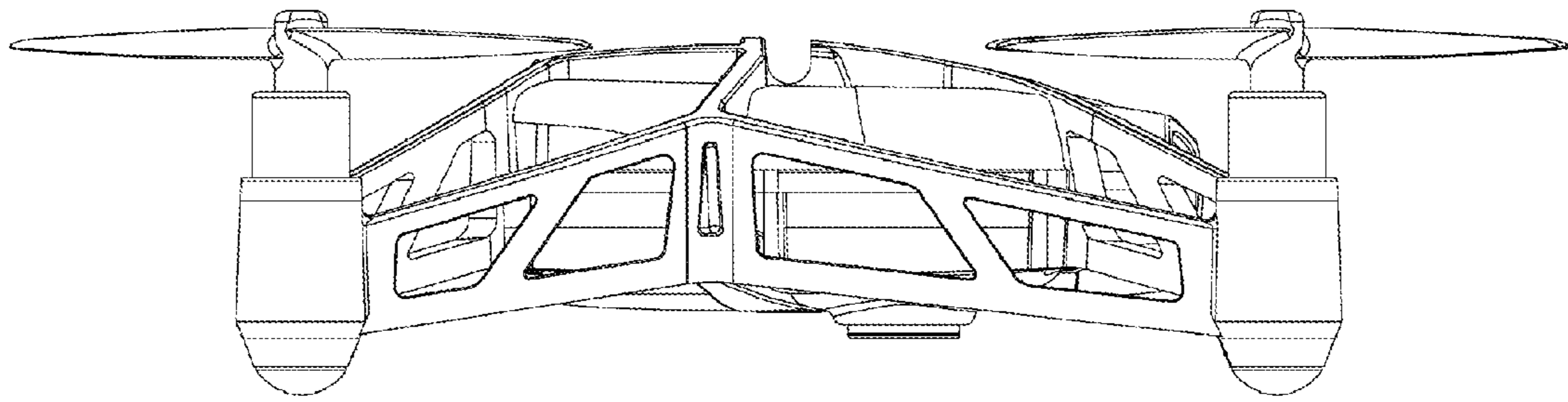


Fig. 4

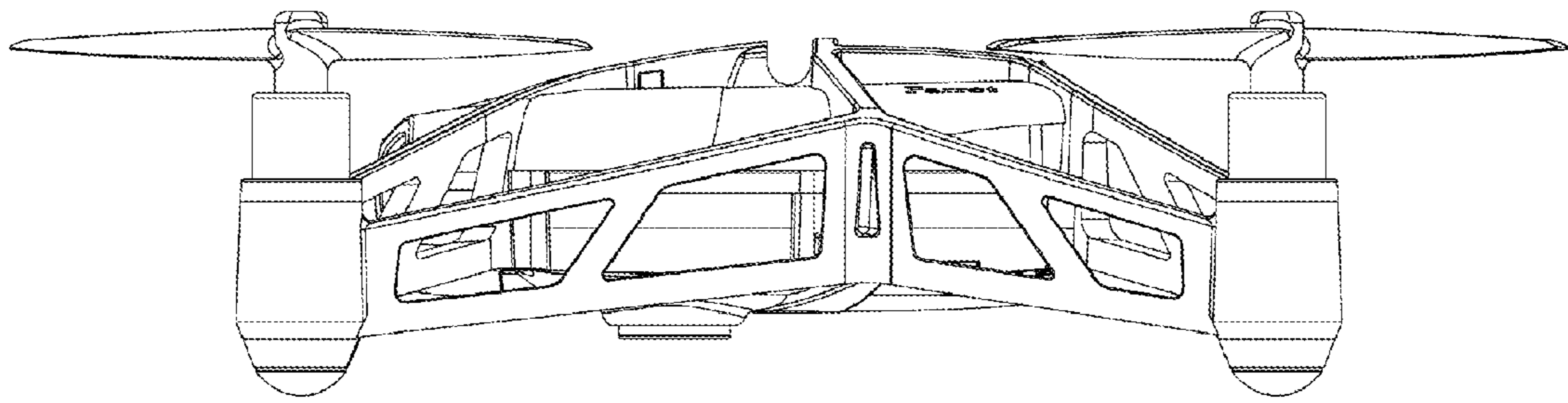


Fig. 5

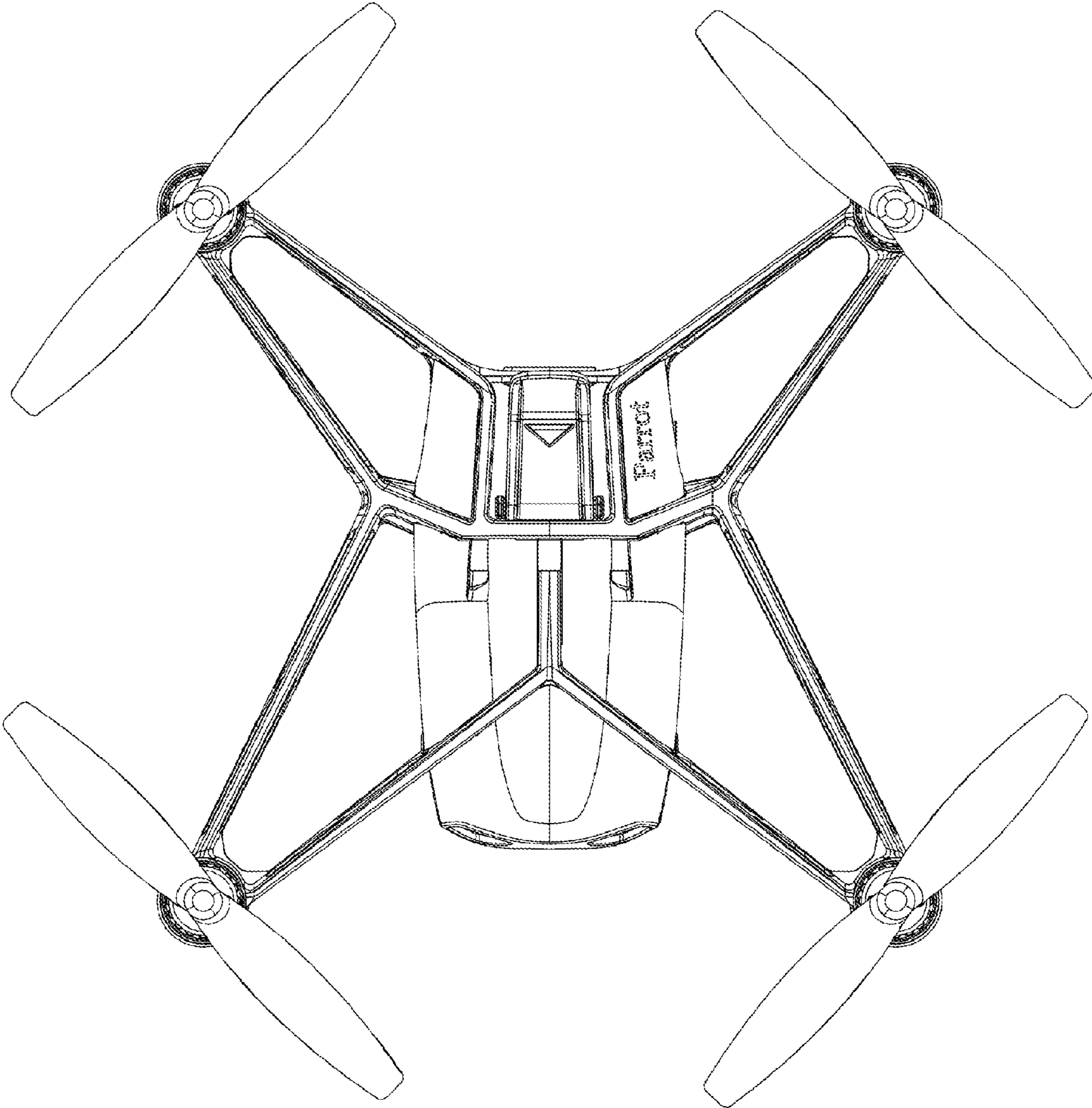


Fig. 6

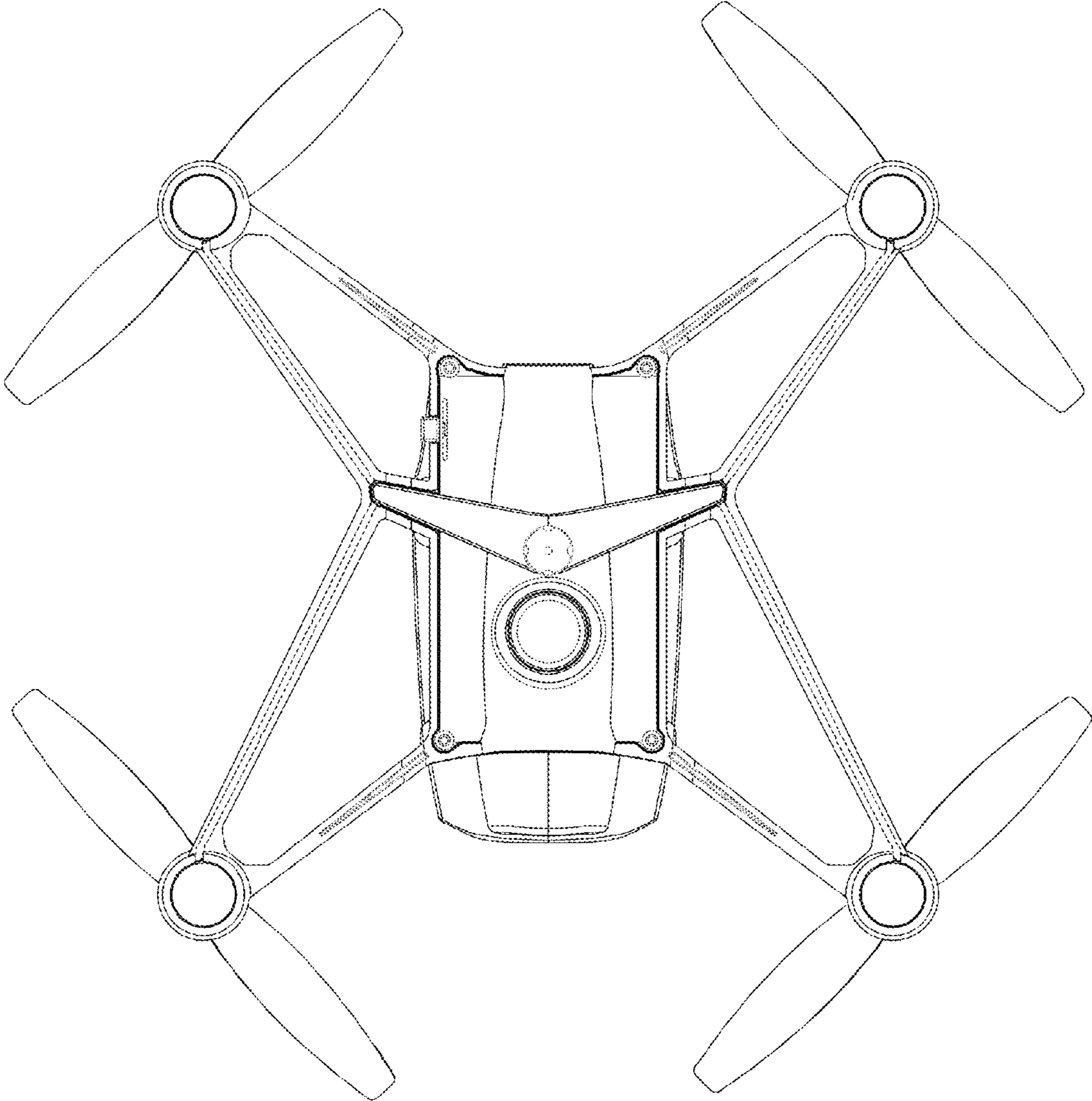


Fig. 7

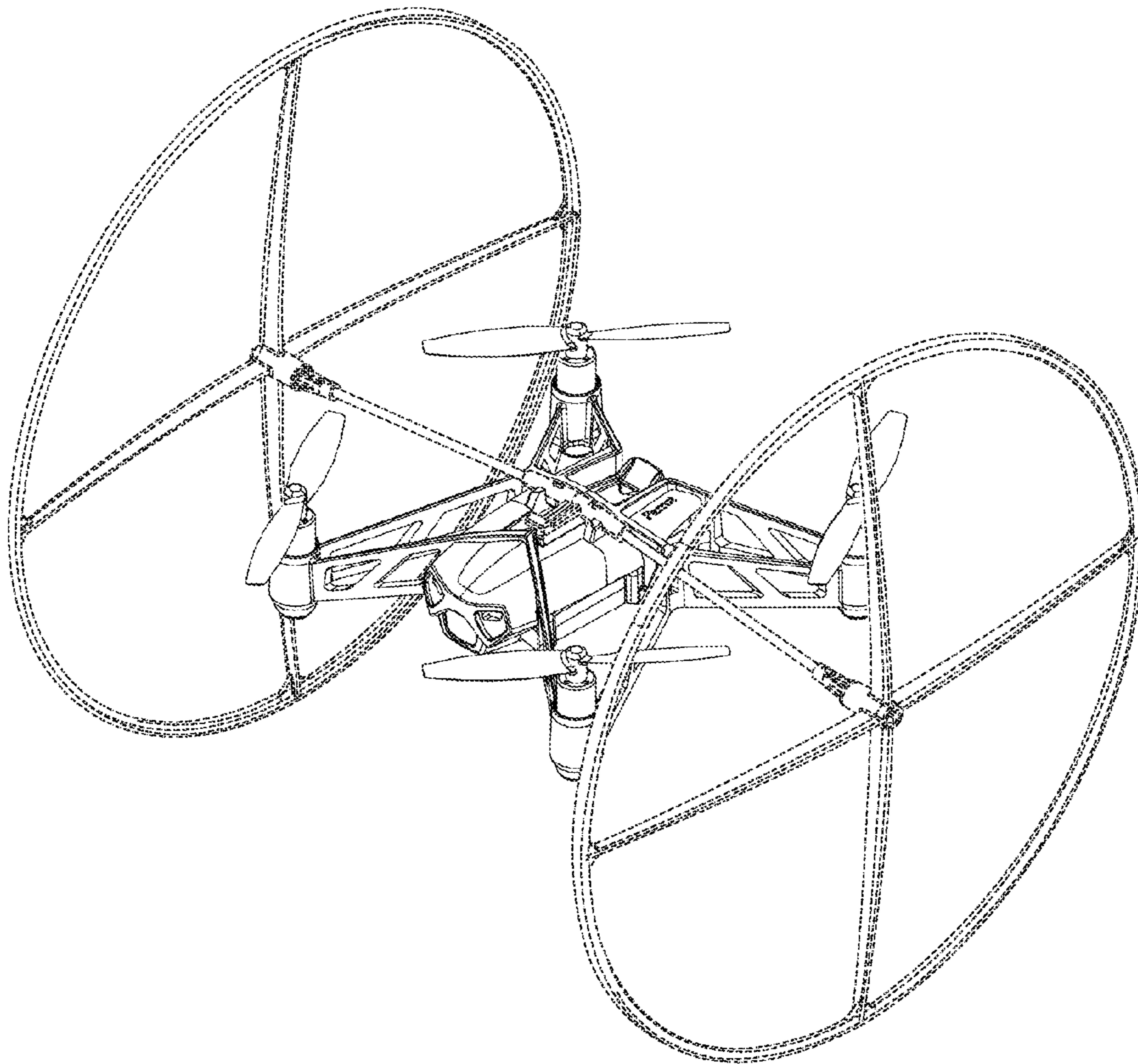


Fig. 8

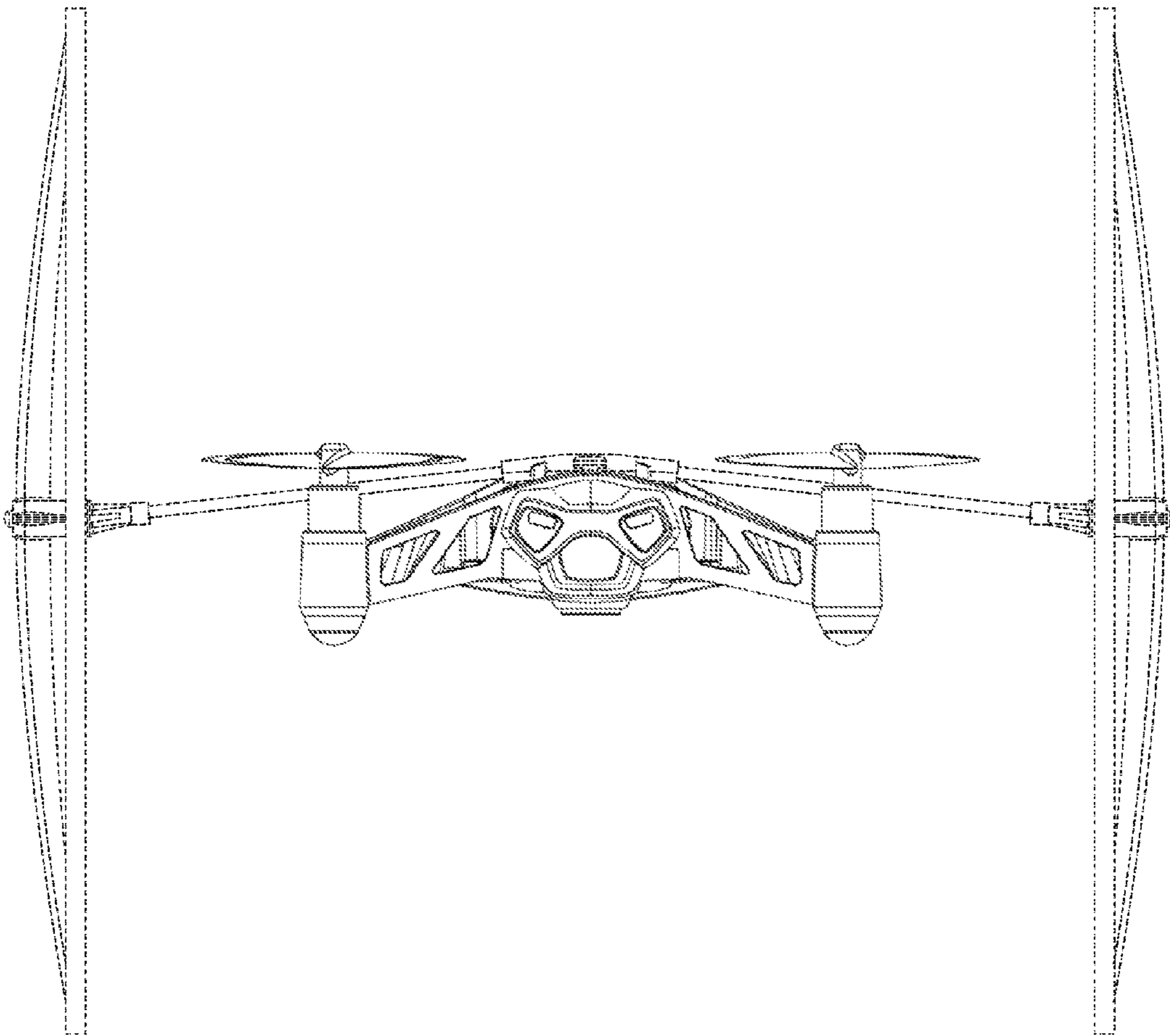


Fig. 9

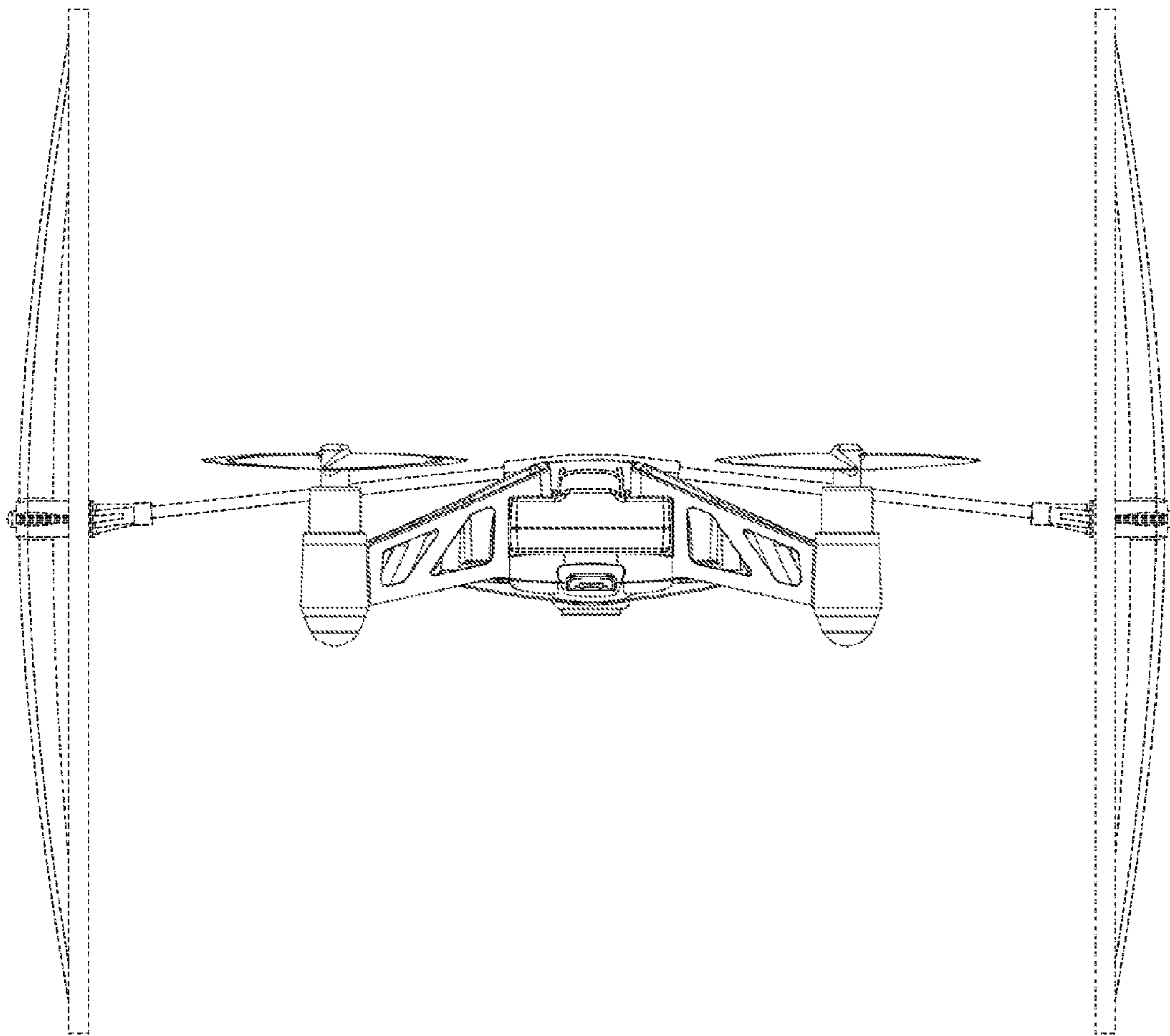


Fig. 10

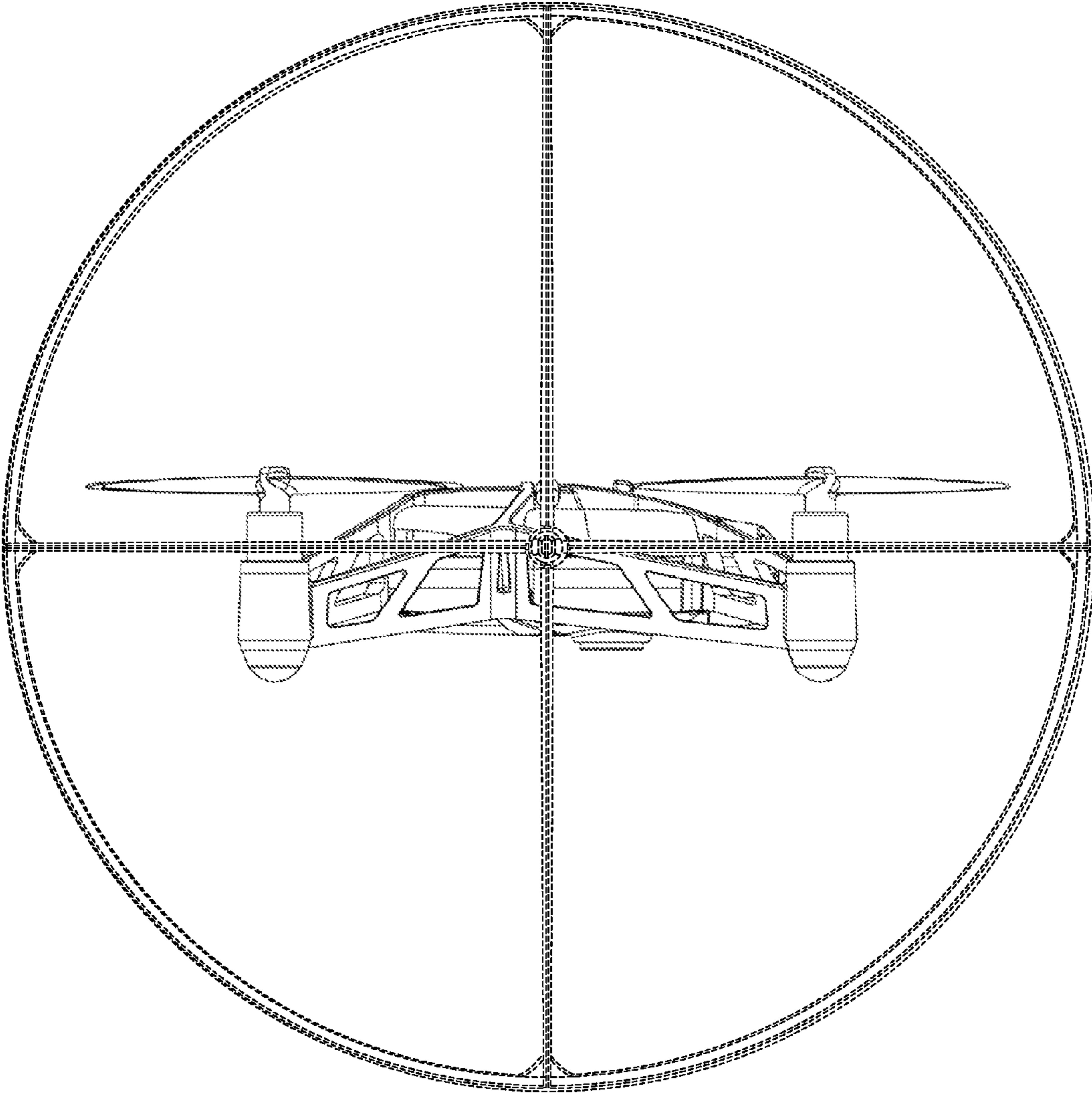


Fig. 11

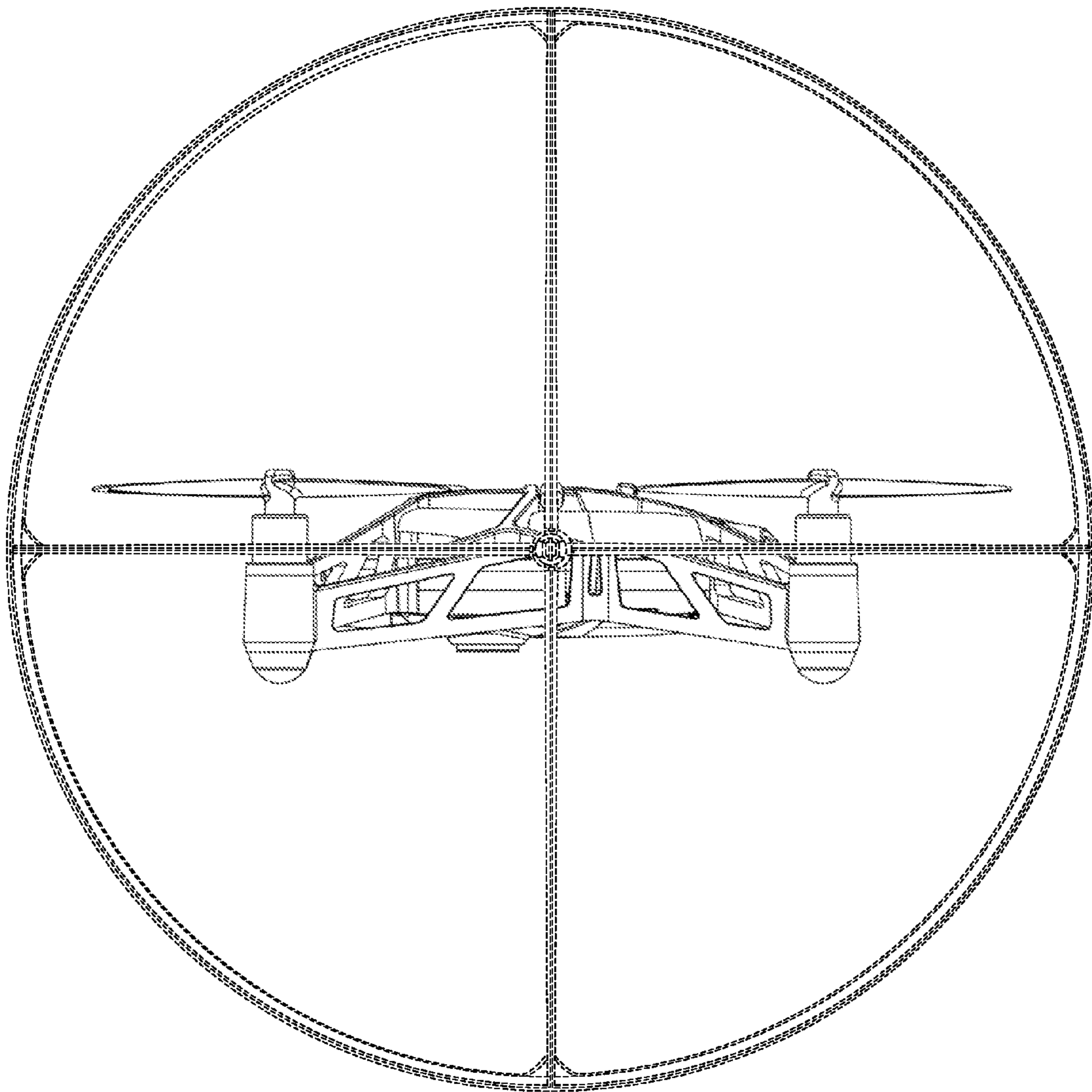


Fig. 12

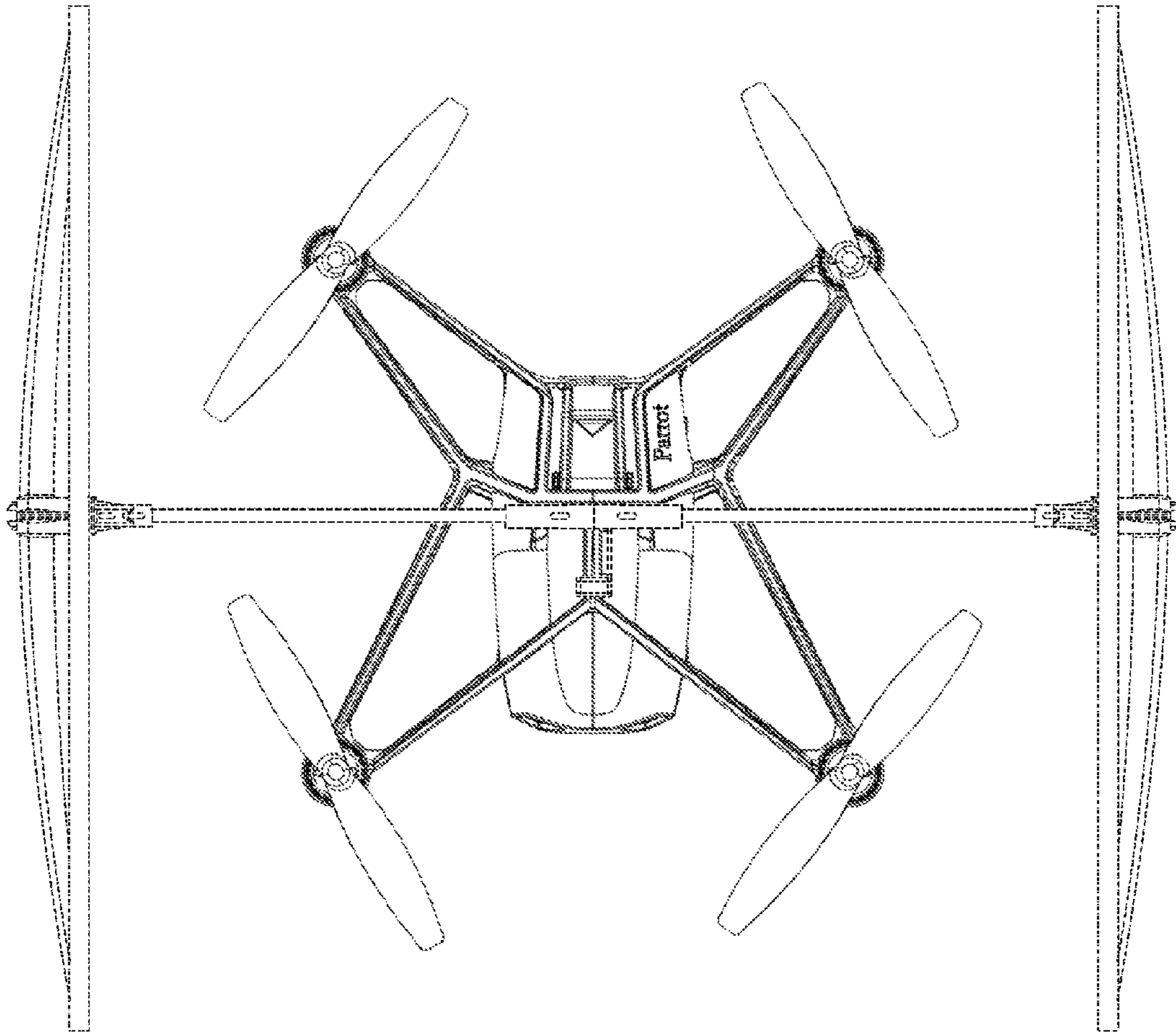


Fig. 13

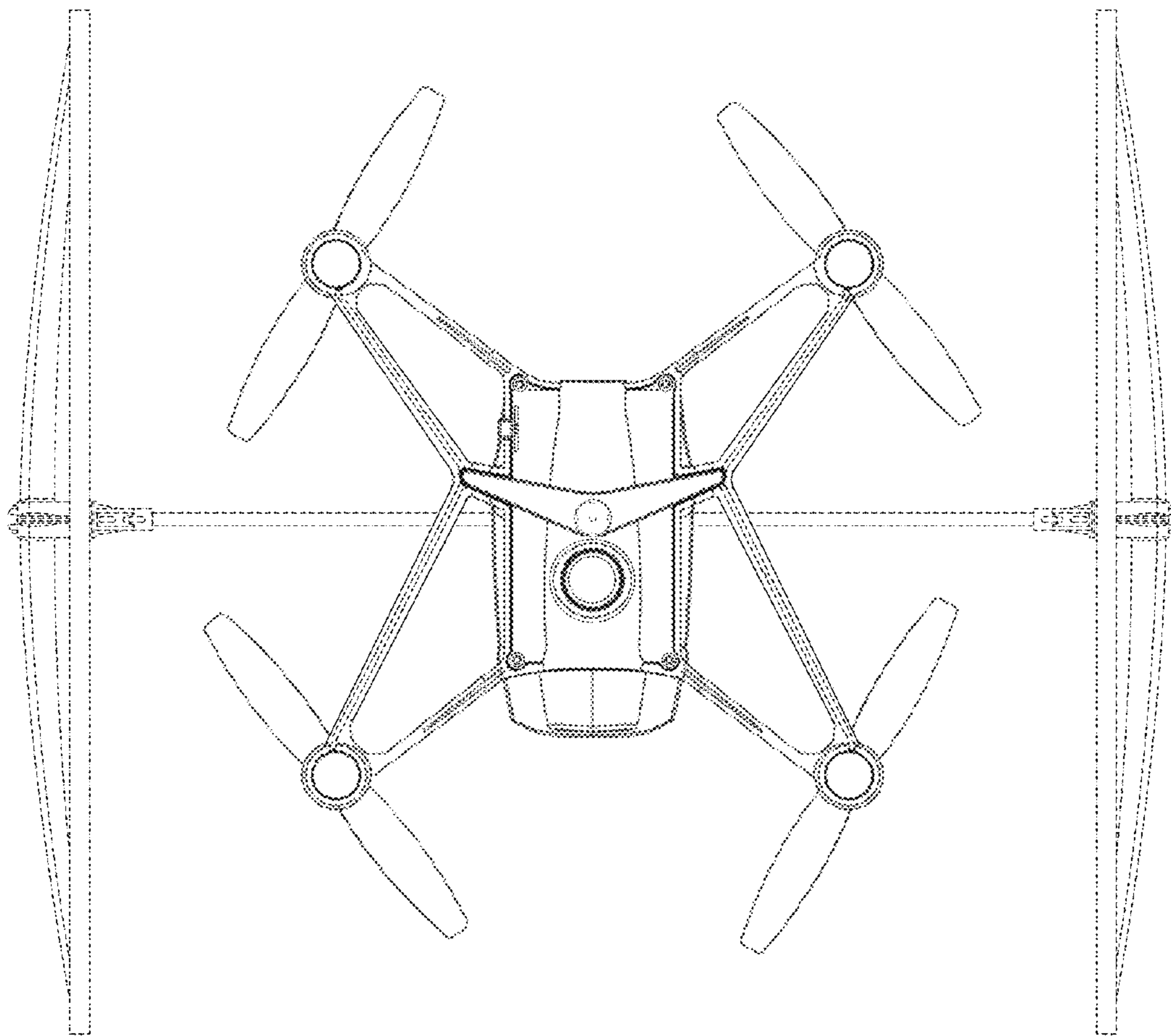


Fig. 14