



US00D768788S

(12) **United States Design Patent**  
**Orenstein et al.**

(10) **Patent No.:** **US D768,788 S**  
(45) **Date of Patent:** **\*\* Oct. 11, 2016**

- (54) **SCOOTER WITH INFLATABLE BASE**
- (71) Applicant: **The Prophet Corporation**, Owatonna, MN (US)
- (72) Inventors: **Amber Orenstein**, Prior Lake, MN (US); **Caleb Summers**, St. Louis Park, MN (US)
- (73) Assignee: **The Prophet Corporation**, Owatonna, MN (US)
- (\*\*) Term: **15 Years**
- (21) Appl. No.: **29/552,496**
- (22) Filed: **Jan. 22, 2016**

4,218,062 A	8/1980	Brooks, Jr.
D266,100 S	9/1982	Miller
4,801,140 A	1/1989	Bergeron
4,892,305 A	1/1990	Lynch
5,870,774 A	2/1999	Legenstein

(Continued)

**FOREIGN PATENT DOCUMENTS**

CN 201880338 U 6/2011

**OTHER PUBLICATIONS**

Gopher 2001 catalog, Spring Edition, 6 pages.

*Primary Examiner* — Cynthia M Chin

(74) *Attorney, Agent, or Firm* — Merchant & Gould P.C.

**Related U.S. Application Data**

(62) Division of application No. 29/497,867, filed on Jul. 29, 2014, now Pat. No. Des. 748,201.

(51) **LOC (10) Cl.** ..... **21-01**

(52) **U.S. Cl.**  
USPC ..... **D21/419**; D21/423; D21/760

(58) **Field of Classification Search**  
USPC ..... D21/419, 421, 423, 426, 662, 760, 765, D21/766, 769, 771, 776, 803; D12/1; 280/7.14, 11.115, 11.19, 11.27, 11.28, 280/14.21, 79.11, 79.2, 87.01, 87.021, 280/87.03, 87.041, 87.042, 607, 608, 609, 280/809; 180/180, 181; 434/247, 253, 258; D34/23, 28  
CPC ..... A63C 17/00; A63C 17/0026; A63C 17/0033; A63C 17/01; A63C 17/04; A63C 17/265; A63C 17/26; A63C 17/28; B62K 3/002

See application file for complete search history.

(56) **References Cited**

**U.S. PATENT DOCUMENTS**

3,693,998 A	9/1972	Cummins
D236,743 S	9/1975	Moustakas

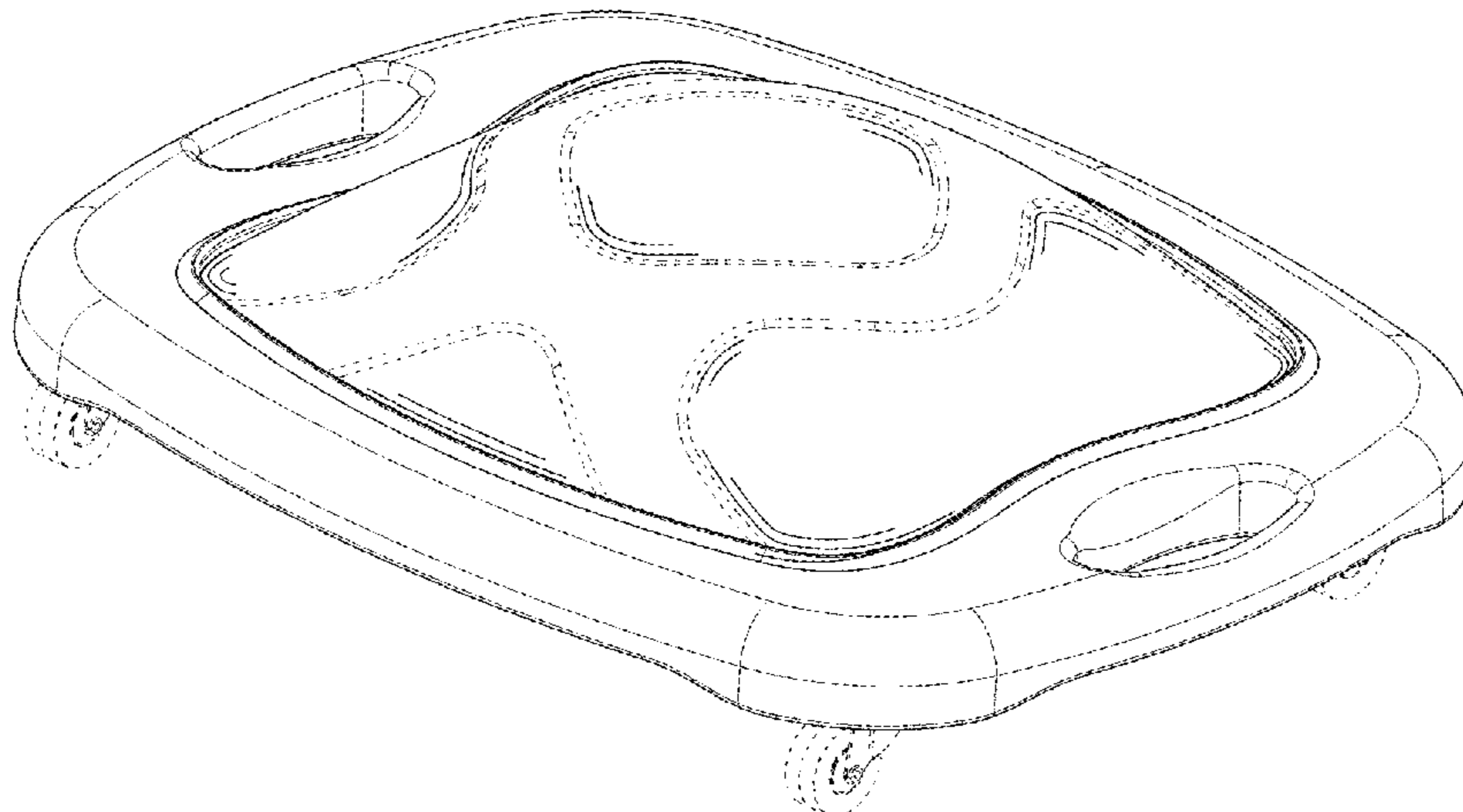
(57) **CLAIM**

The ornamental design for a scooter with inflatable base, as shown and described.

**DESCRIPTION**

FIG. 1 is a top perspective view of a scooter with inflatable base;  
 FIG. 2 is a top plan view of the scooter with inflatable base of FIG. 1;  
 FIG. 3 is a bottom view of the scooter with inflatable base of FIG. 1;  
 FIG. 4 is a first end view of the scooter with inflatable base of FIG. 1;  
 FIG. 5 is a second end view of the scooter with inflatable base of FIG. 1;  
 FIG. 6 is a first side view of the scooter with inflatable base of FIG. 1; and,  
 FIG. 7 is a second side view of the scooter with inflatable base of FIG. 1.  
 The broken lines shown are included for the purpose of illustrating the unclaimed portions of the scooter and form no part of the claimed design.

**1 Claim, 5 Drawing Sheets**



(56)

**References Cited**

U.S. PATENT DOCUMENTS

6,039,327 A 3/2000 Spector  
 D446,264 S 8/2001 Fischer et al.  
 6,575,885 B1 6/2003 Weck et al.  
 D507,026 S 7/2005 Chen  
 6,942,605 B1 9/2005 Sukhovitsky  
 D513,353 S 12/2005 Pederson  
 D517,136 S 3/2006 Chen  
 7,494,446 B2 2/2009 Weck et al.  
 D612,896 S 3/2010 Talley  
 D627,015 S \* 11/2010 Senegal ..... D21/662  
 D634,377 S \* 3/2011 Byle ..... D21/662

D651,673 S \* 1/2012 Kulzer ..... D21/686  
 D660,928 S \* 5/2012 Guarrasi ..... D21/686  
 D680,599 S 4/2013 Orenstein et al.  
 8,444,532 B1 5/2013 Barcena  
 D717,377 S 11/2014 Orenstein et al.  
 D717,381 S 11/2014 Orenstein et al.  
 9,211,896 B1 \* 12/2015 Berghash ..... B62B 3/02  
 2002/0158437 A1 10/2002 Carbonero  
 2011/0143896 A1 \* 6/2011 Senegal ..... A63B 22/18  
 482/139  
 2013/0001916 A1 1/2013 Orenstein et al.  
 2013/0217545 A1 \* 8/2013 Orenstein ..... A63B 23/0458  
 482/52

\* cited by examiner

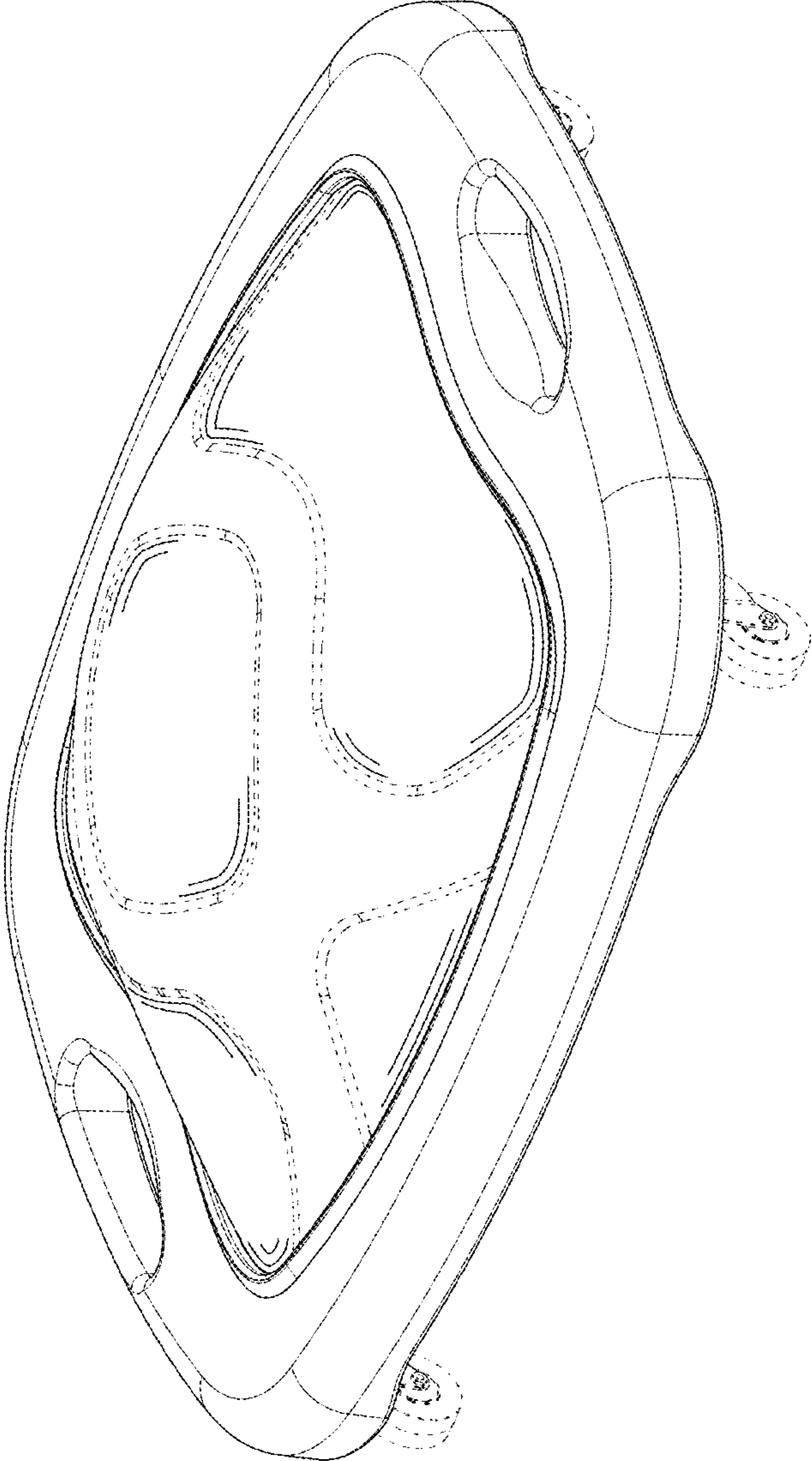


FIG. 1

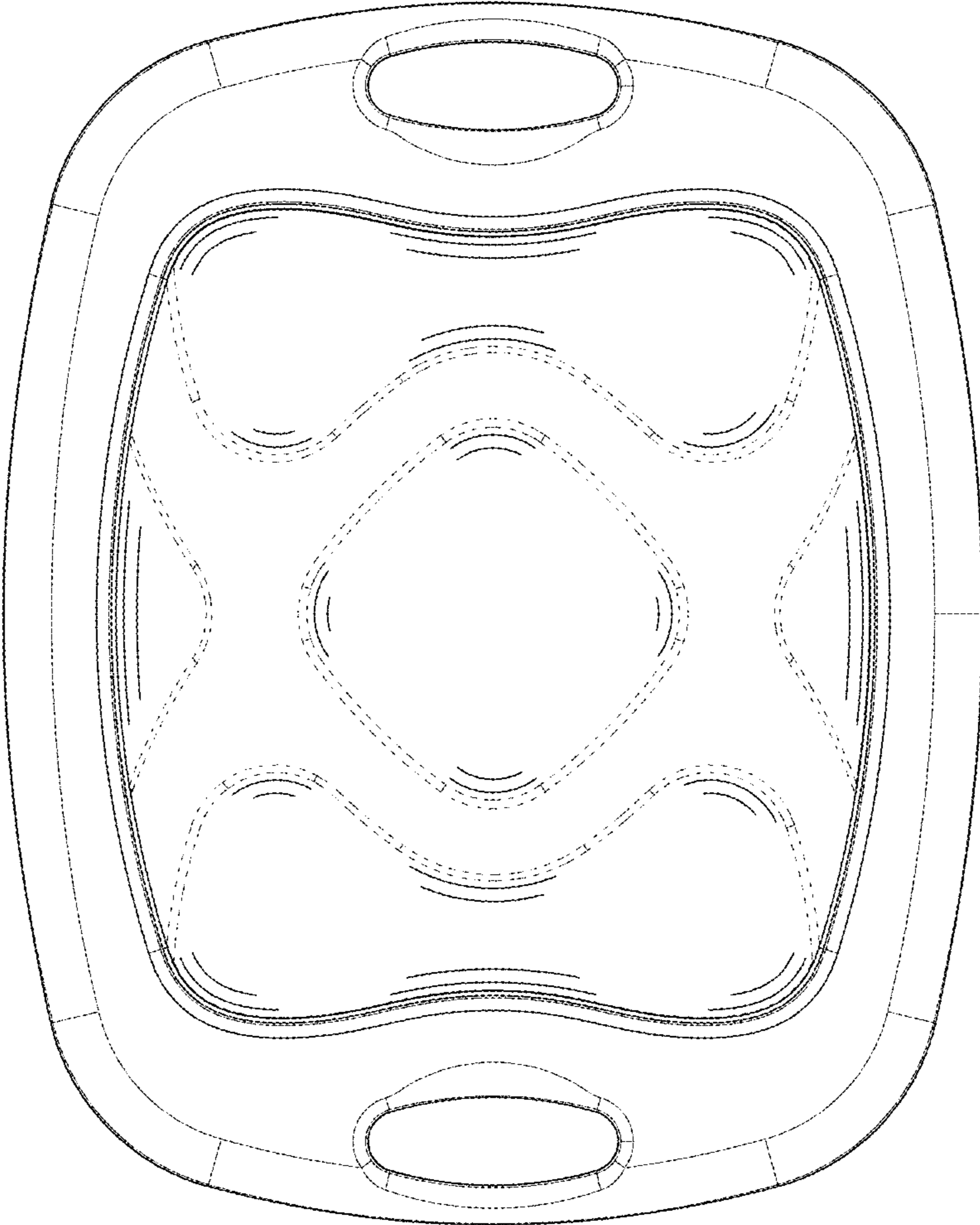


FIG. 2

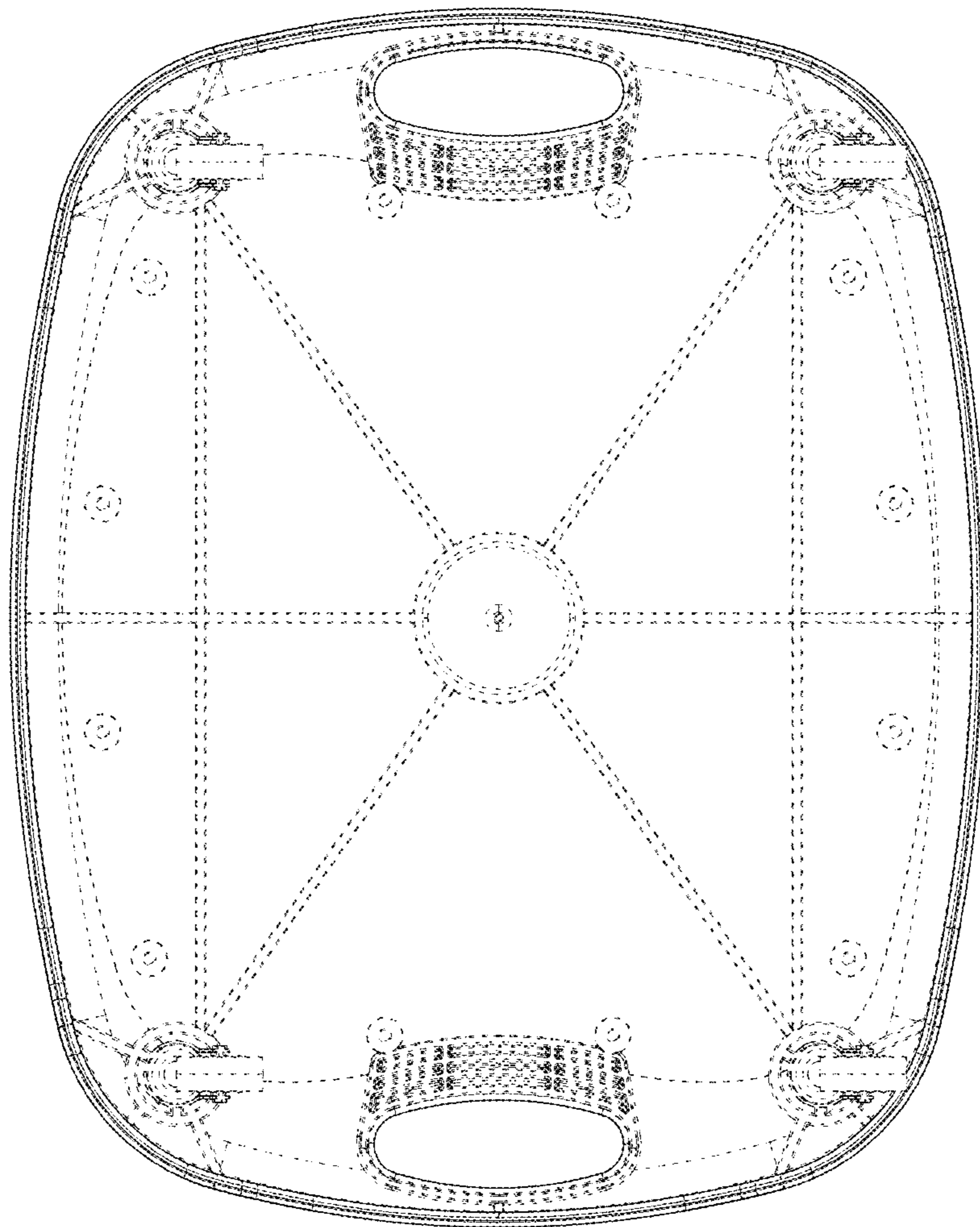


FIG. 3

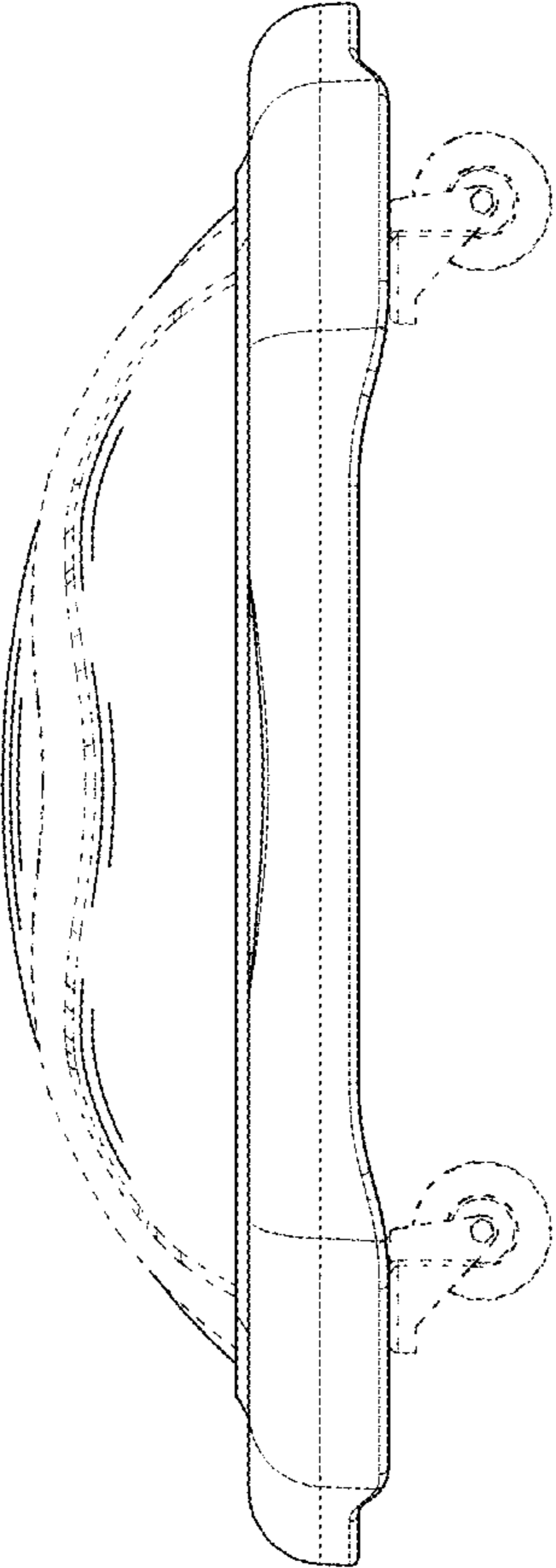


FIG. 4

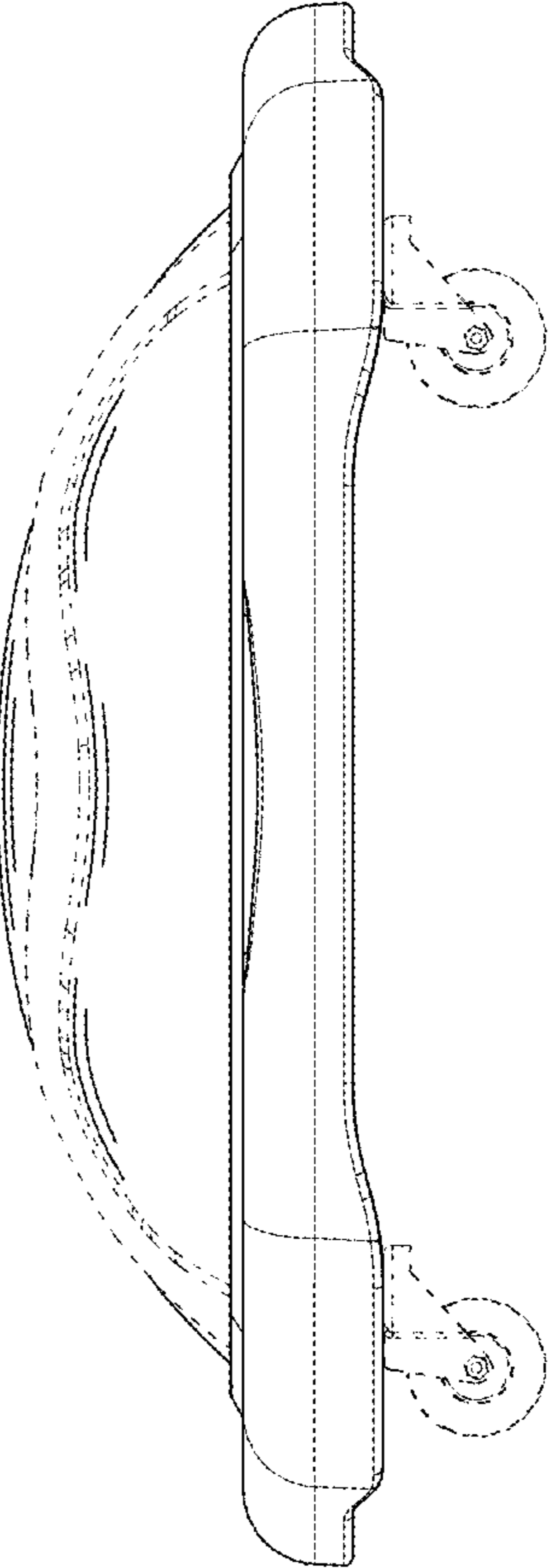


FIG. 5

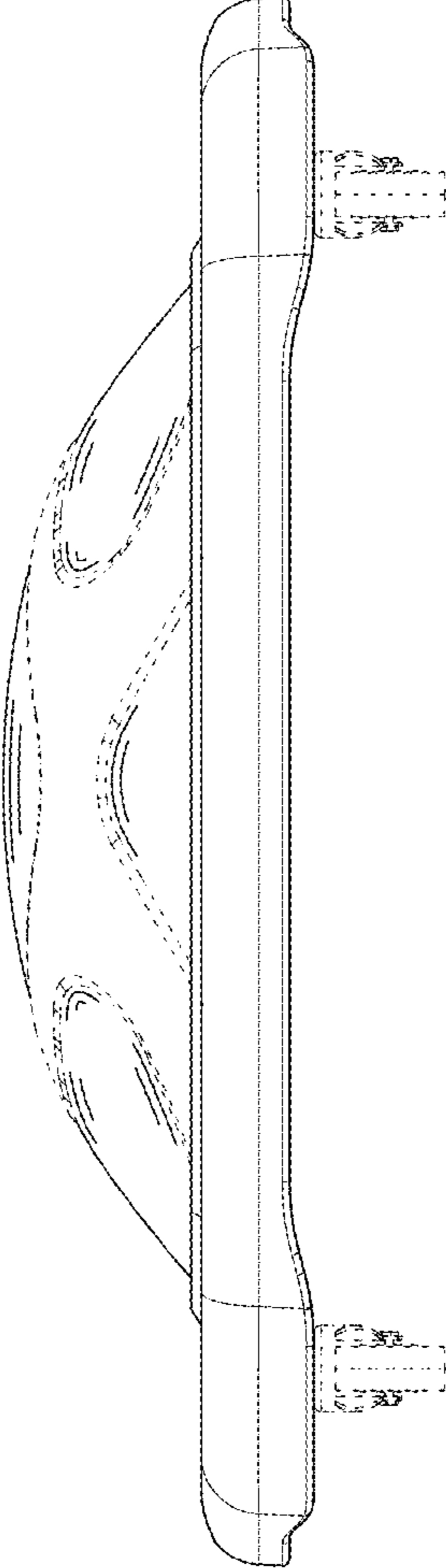


FIG. 6

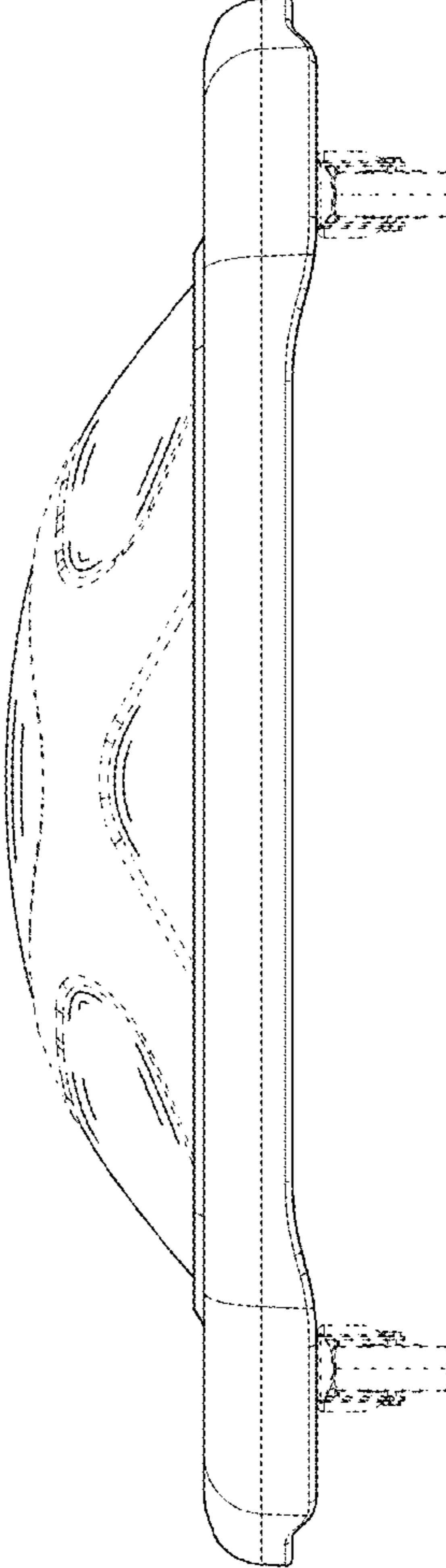


FIG. 7