



US00D768786S

(12) **United States Design Patent**
Seflic et al.

(10) **Patent No.:** **US D768,786 S**
(45) **Date of Patent:** **** Oct. 11, 2016**

(54) **GAME CONTROLLER**
(71) Applicant: **Amazon Technologies, Inc.**, Seattle, WA (US)
(72) Inventors: **Matthew Michael Seflic**, San Jose, CA (US); **Marc Rene Walliser**, San Francisco, CA (US); **Christopher Green**, San Francisco, CA (US)

D587,717 S * 3/2009 Harris D14/454
7,762,553 B2 * 7/2010 Harris A63F 13/98
273/148 B
8,545,323 B2 * 10/2013 McVicar A63F 13/06
345/161
D708,615 S * 7/2014 Delrue D14/401
D709,499 S * 7/2014 Morris D14/401
D736,762 S * 8/2015 Lovoi D14/333
D736,860 S * 8/2015 Lovoi D14/401
9,251,701 B2 * 2/2016 Plagge G08C 23/04

(73) Assignee: **Amazon Technologies, Inc.**, Seattle, WA (US)

* cited by examiner

(**) Term: **15 Years**

Primary Examiner — Prabhakar Deshmukh

(21) Appl. No.: **29/537,655**

(74) *Attorney, Agent, or Firm* — Lee & Hayes, PLLC

(22) Filed: **Aug. 27, 2015**

(51) **LOC (10) Cl.** **21-01**

(52) **U.S. Cl.**

USPC **D21/333**; D14/401

(58) **Field of Classification Search**

USPC D14/496, 399–401, 412–418; 345/156, 345/169, 173–179, 905; D21/324–333; 273/148 B; 463/1, 29–35, 46, 47
CPC A63F 13/00; A63F 13/02; A63F 9/00; G06F 17/00; G06F 19/00

See application file for complete search history.

(56) **References Cited**

U.S. PATENT DOCUMENTS

D521,567 S * 5/2006 Svendsen D14/401
7,063,321 B2 * 6/2006 Hussaini A63F 13/06
273/148 B

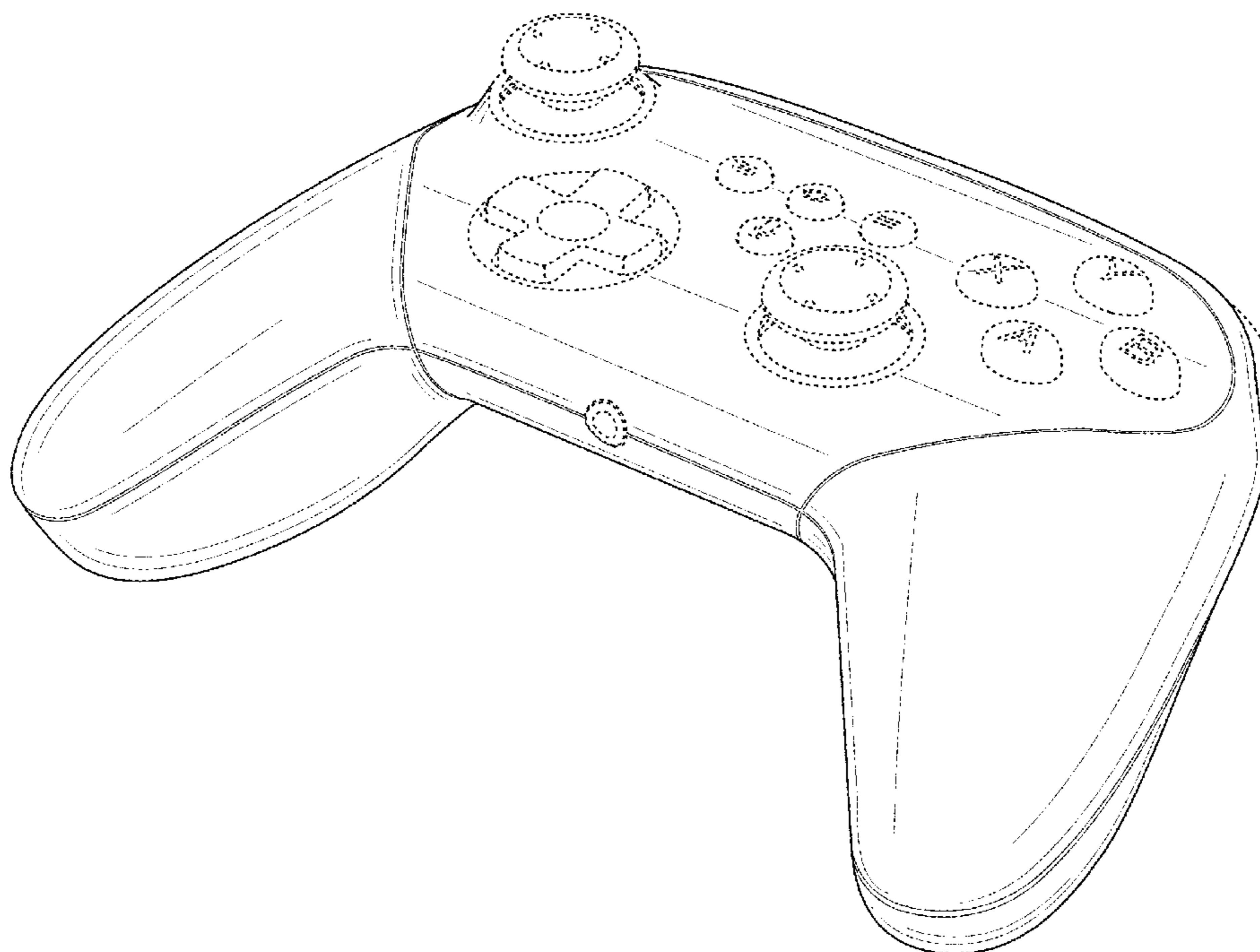
(57) **CLAIM**

The ornamental design for a game controller, as shown and described.

DESCRIPTION

FIG. 1 is a first perspective view of a game controller, taken from above;
FIG. 2 is a second perspective view of the game controller, taken from the below;
FIG. 3 is a top view of the game controller;
FIG. 4 is a bottom view of the game controller;
FIG. 5 is a right-side view of the game controller;
FIG. 6 is a left-side view of the game controller;
FIG. 7 is a front view of the game controller; and,
FIG. 8 is a back view of the game controller.
The broken lines in the drawings are for illustrative purposes only and form no part of the claimed design.

1 Claim, 8 Drawing Sheets



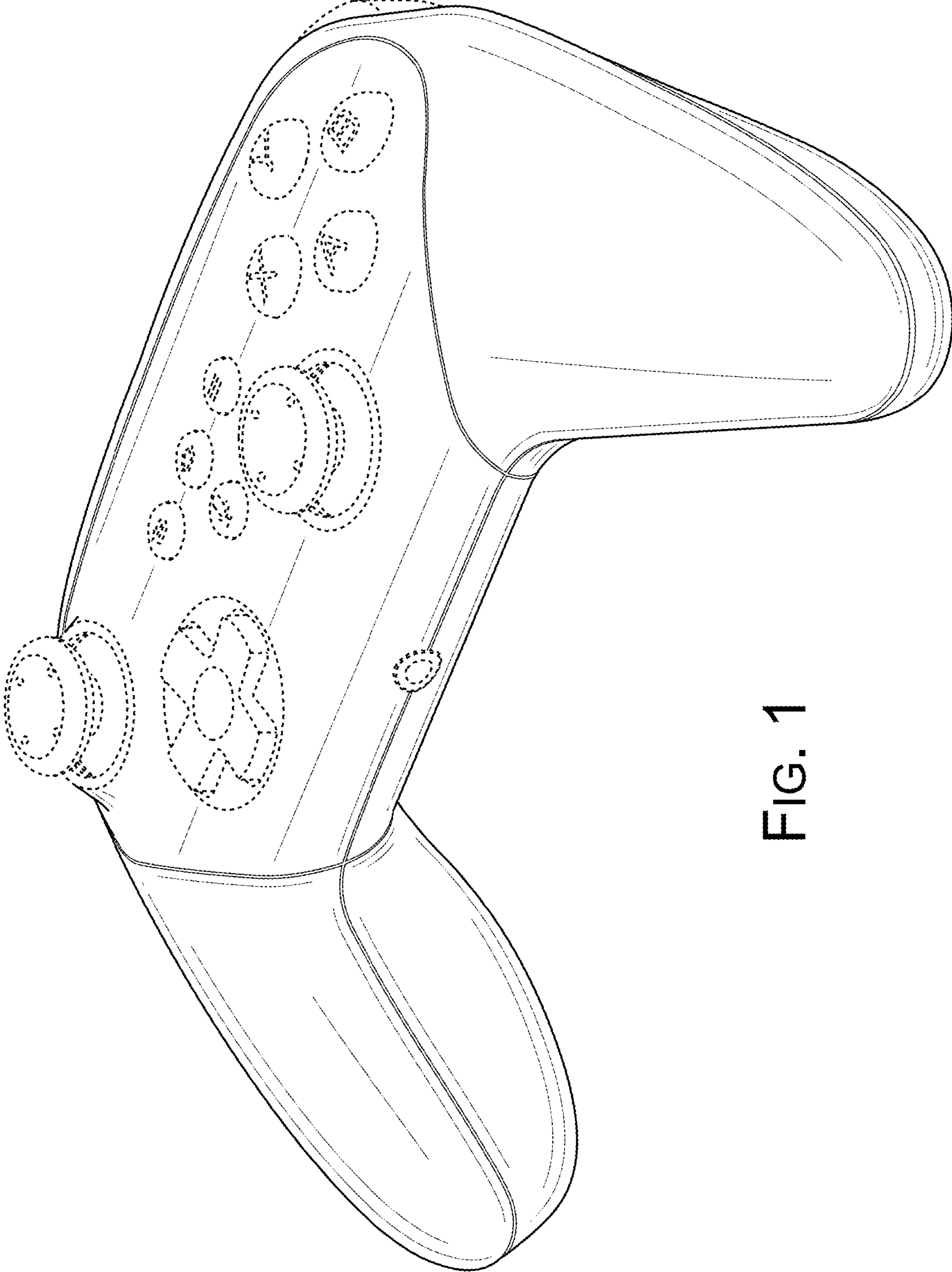


FIG. 1

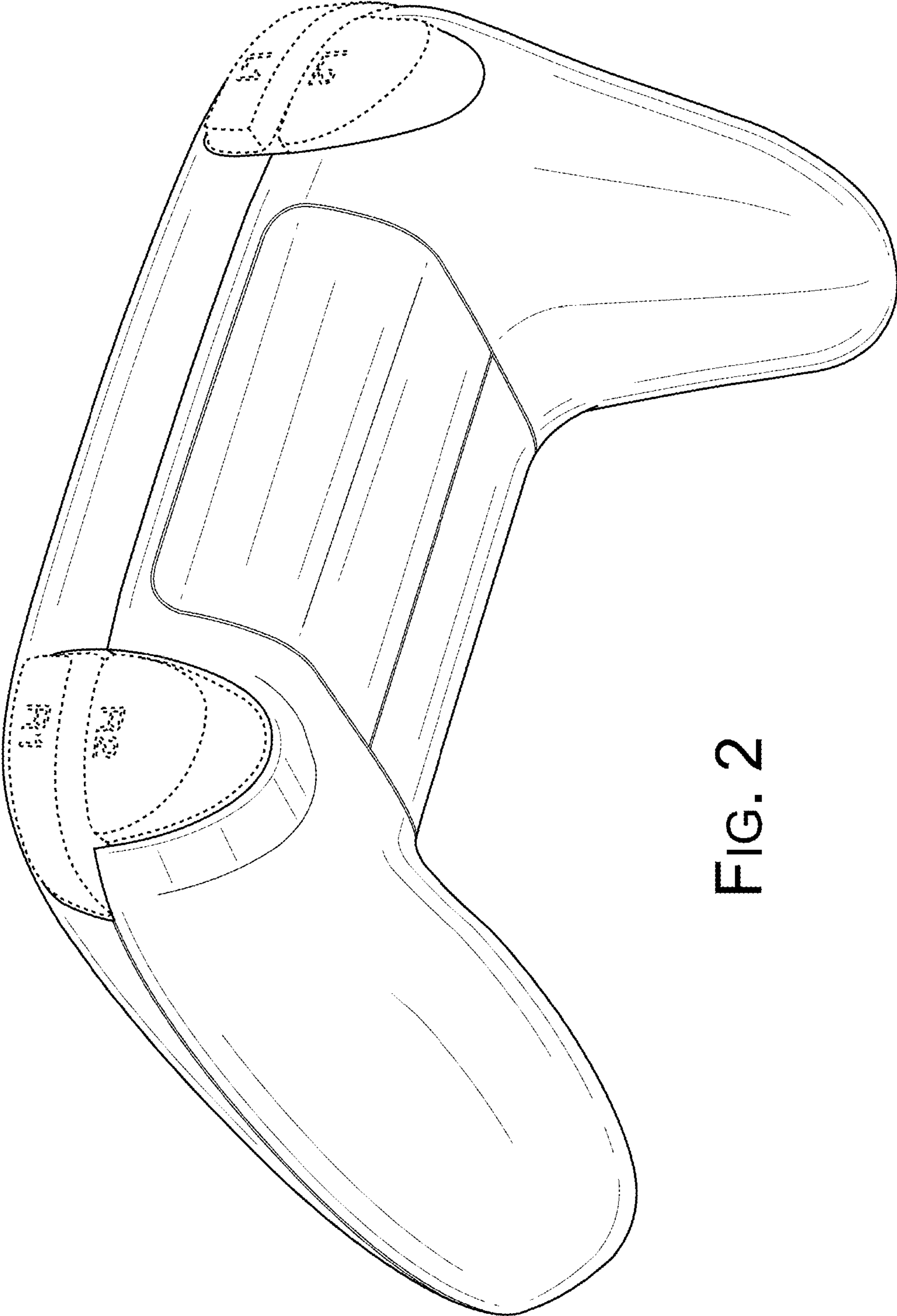


FIG. 2

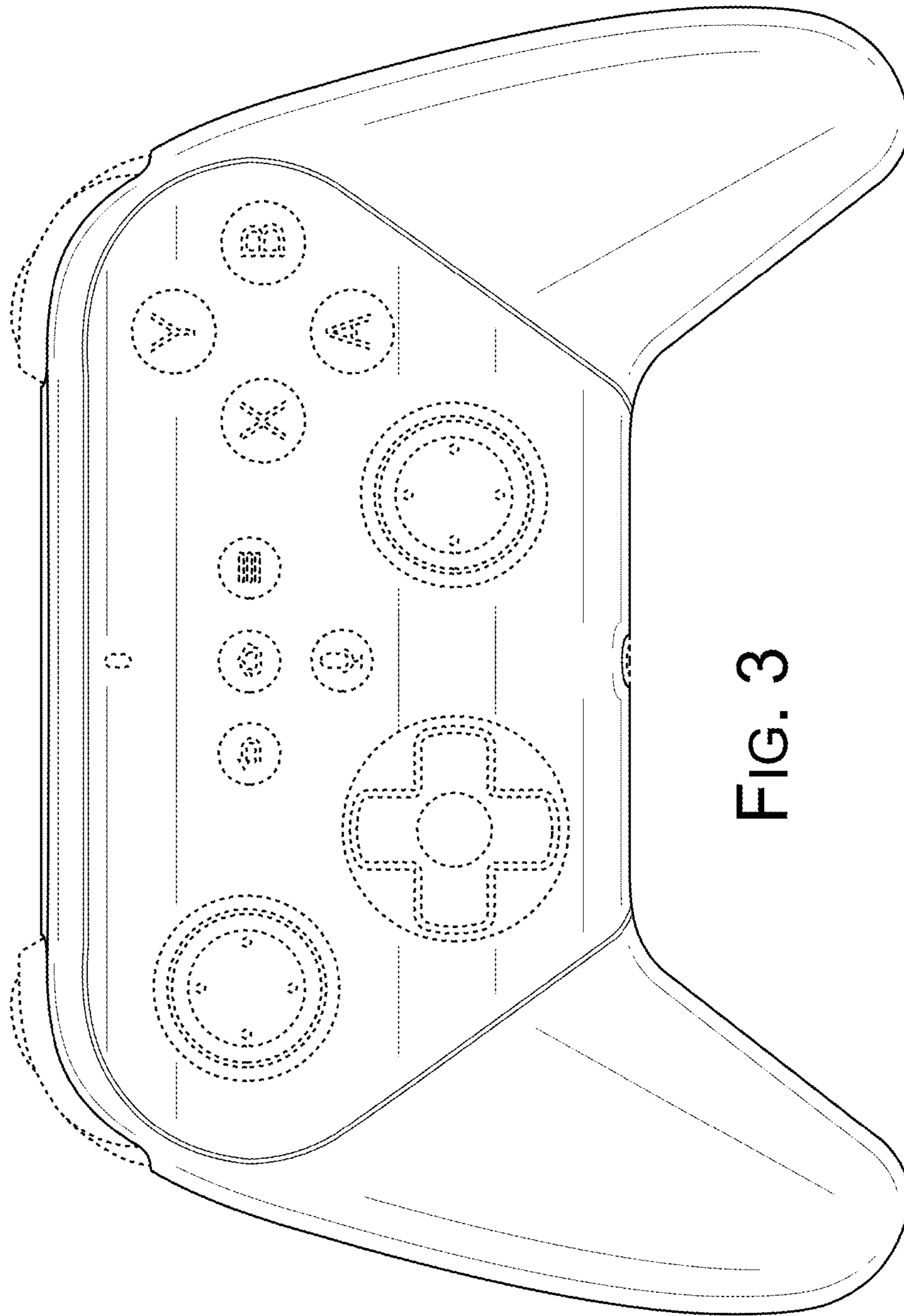


FIG. 3

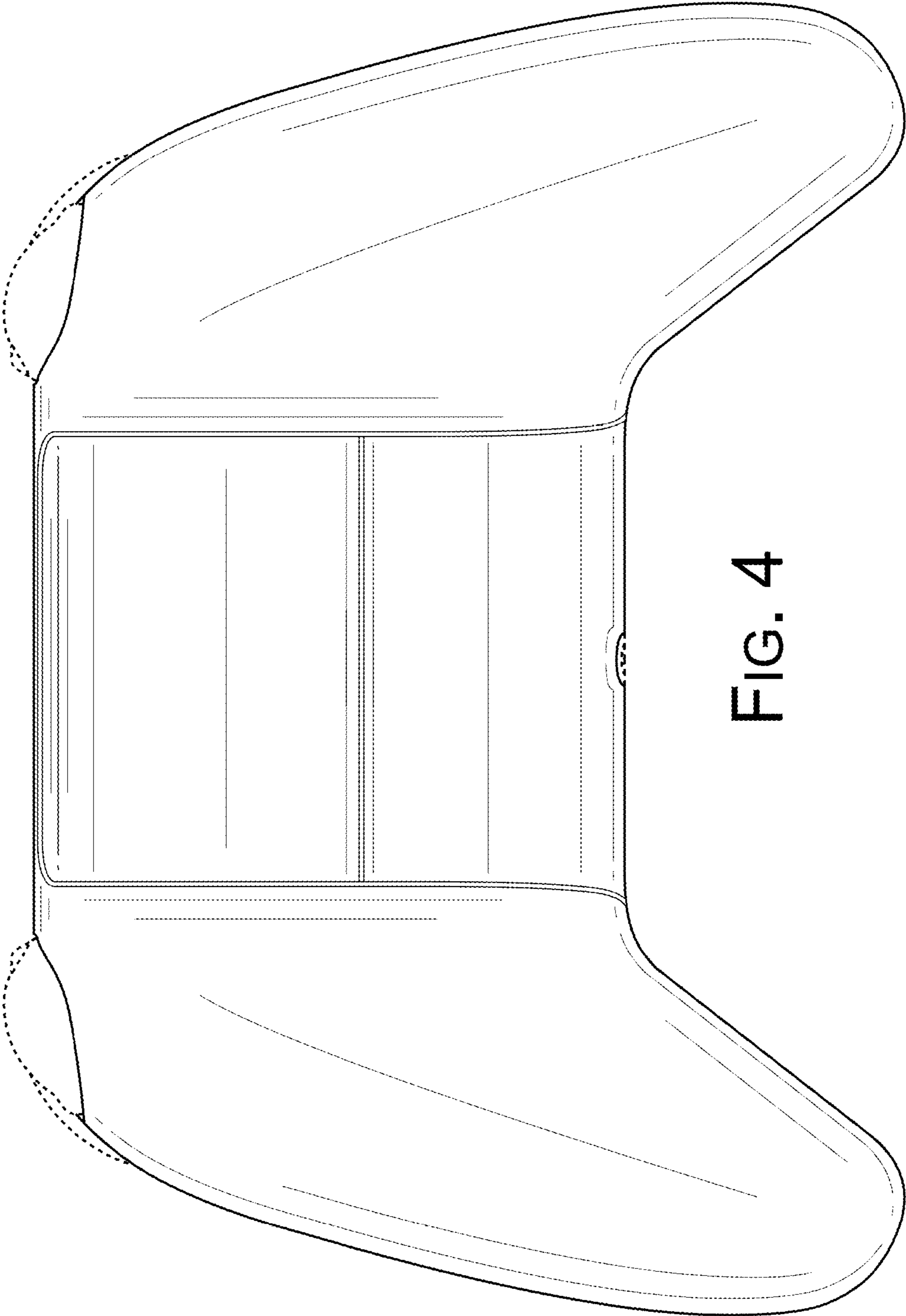


FIG. 4

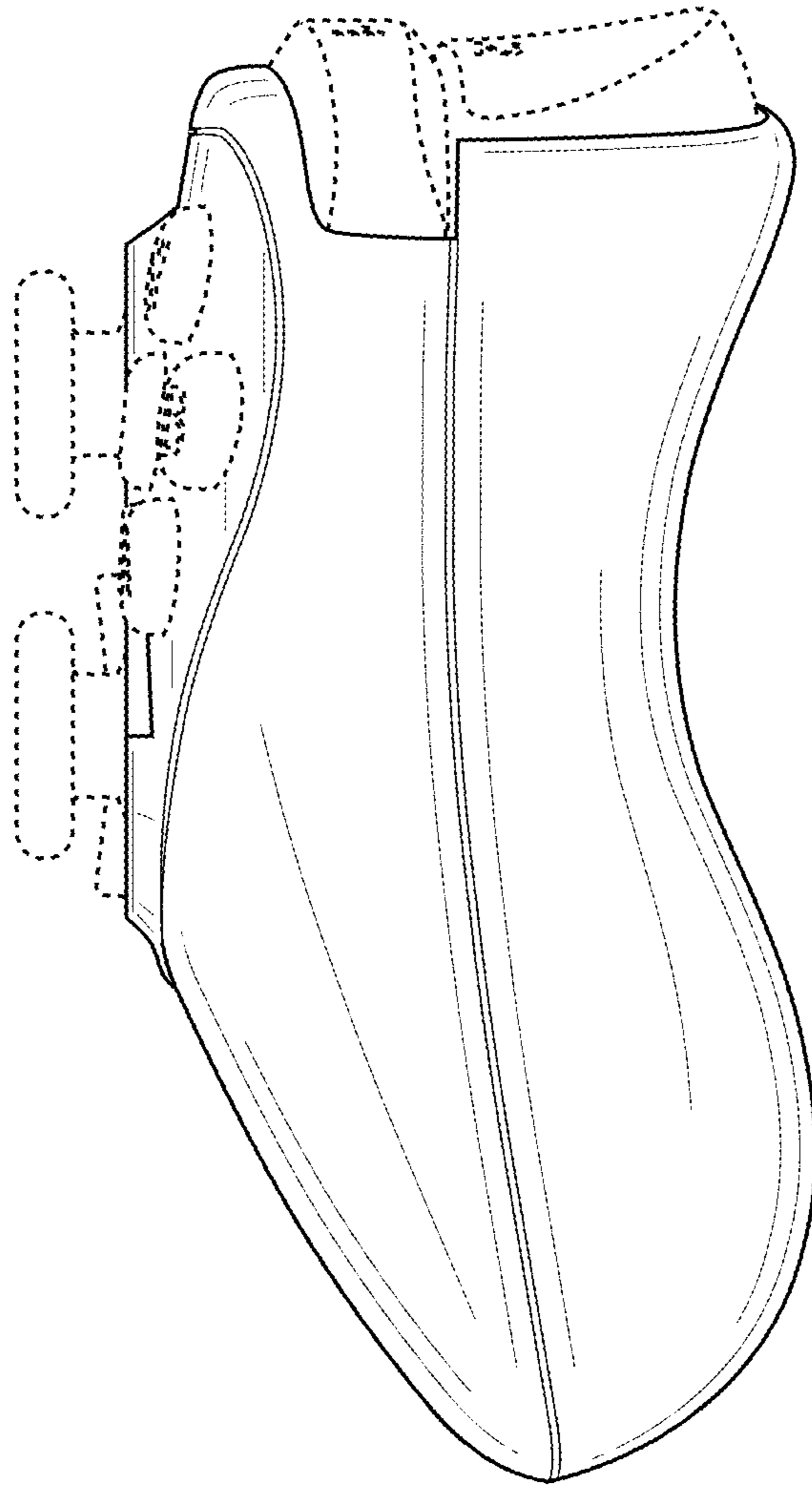


FIG. 5

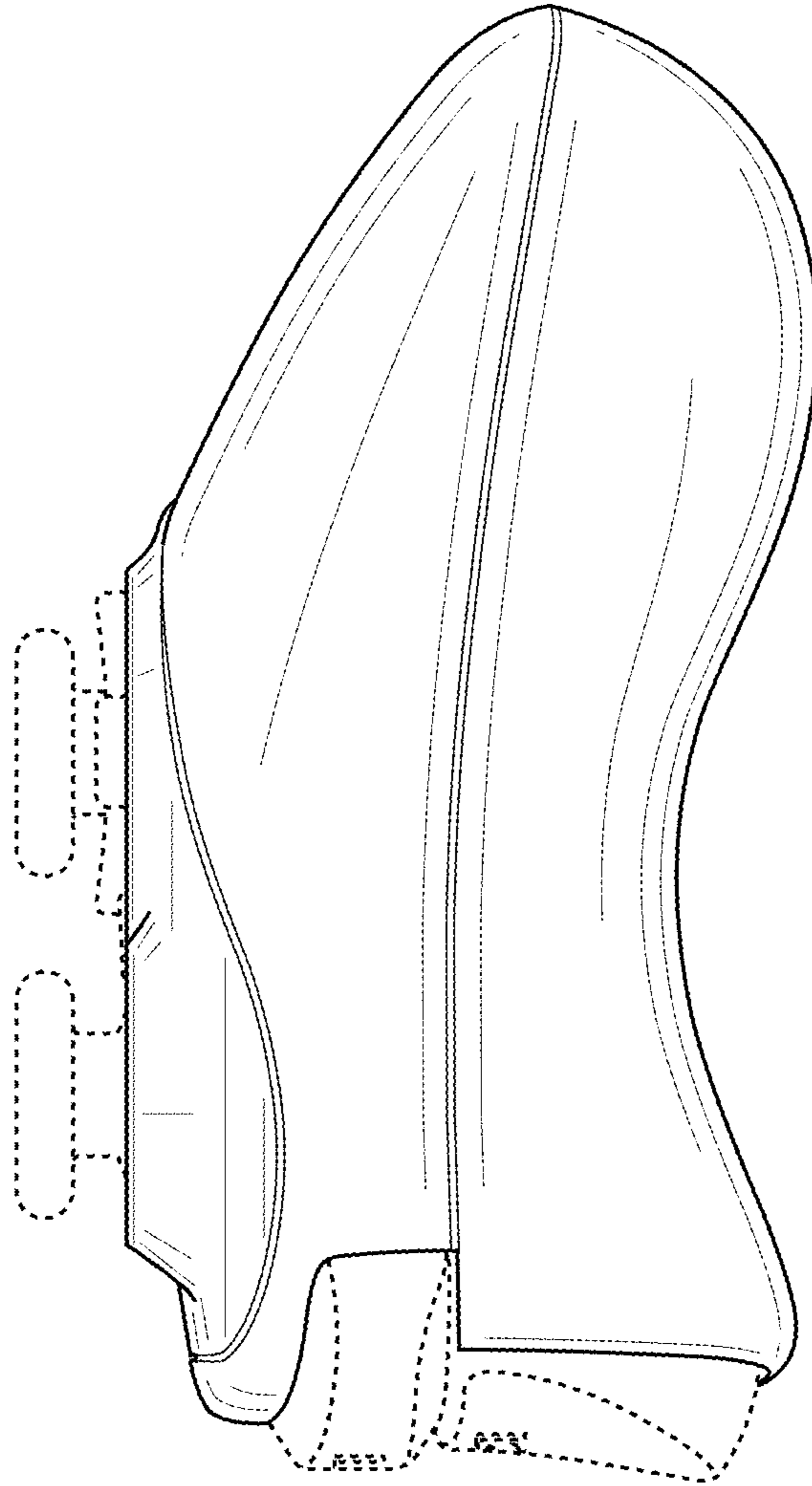


FIG. 6

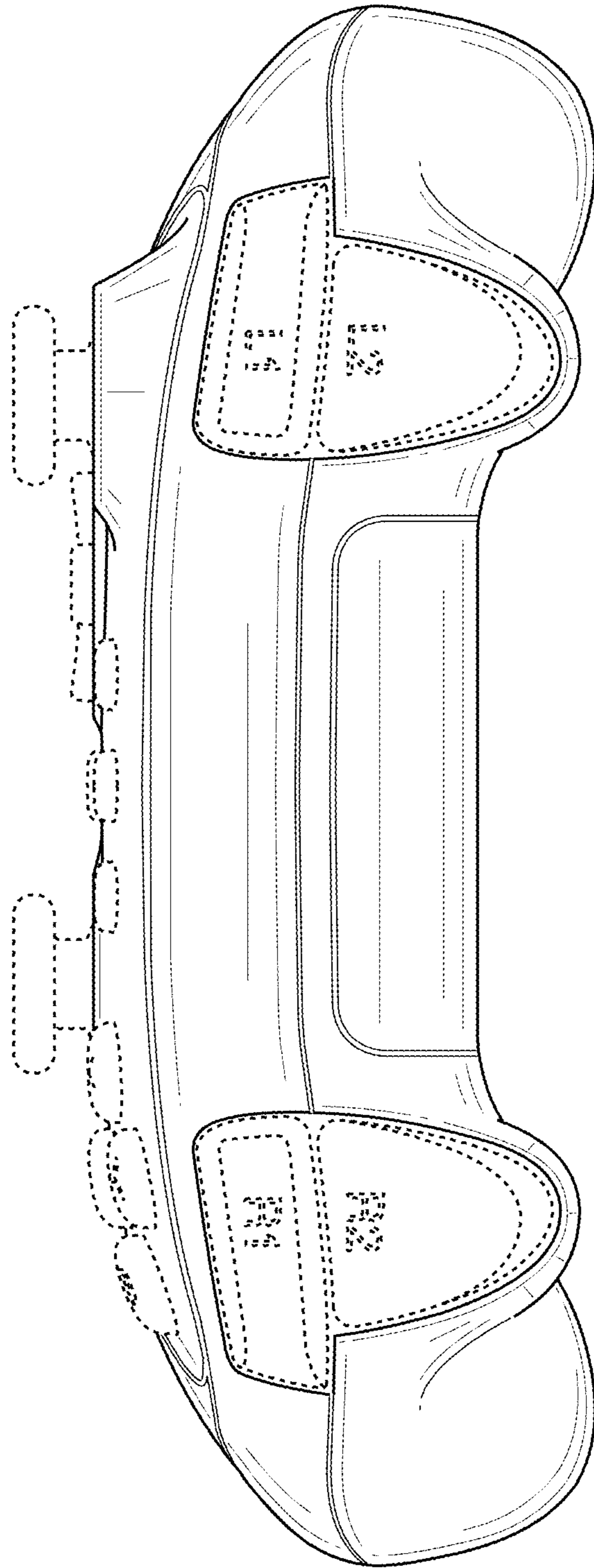


FIG. 7

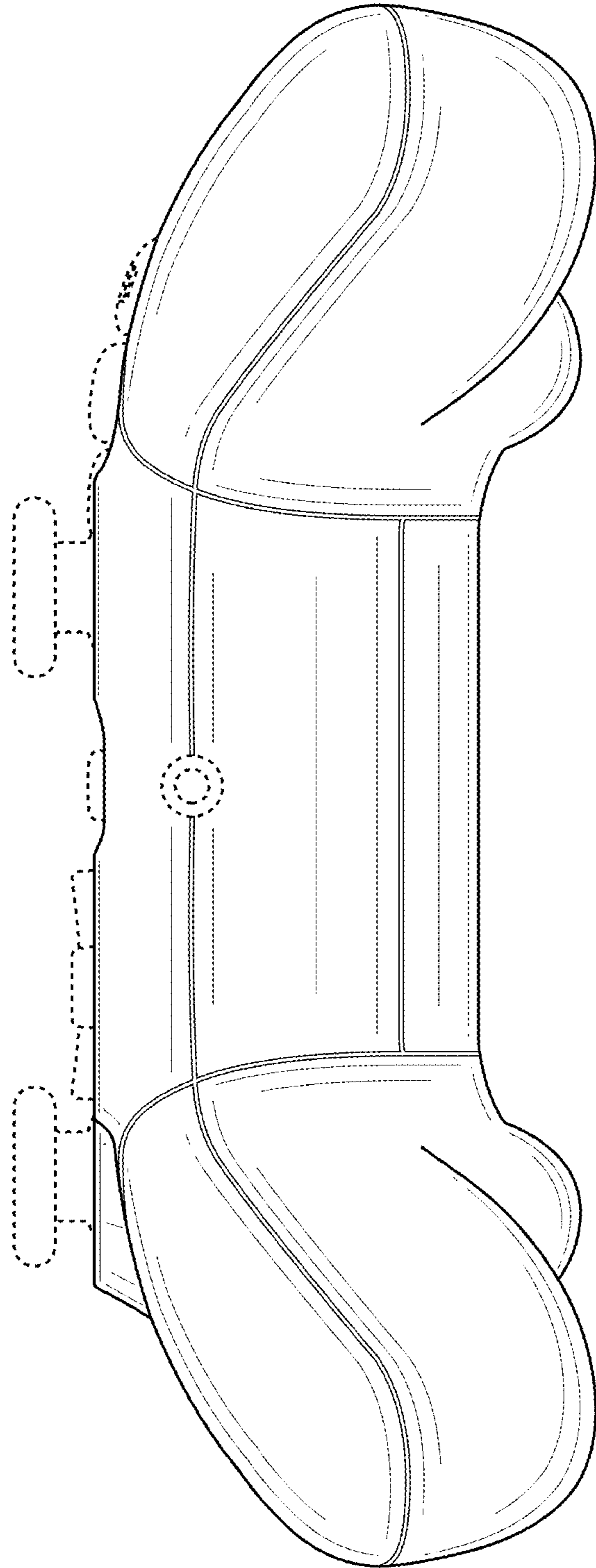


FIG. 8