



US00D768785S

(12) **United States Design Patent**
Kim et al.

(10) **Patent No.:** **US D768,785 S**

(45) **Date of Patent:** **** Oct. 11, 2016**

(54) **GAME PAD**

(71) Applicant: **Samsung Electronics Co., Ltd.**,
Suwon-si (KR)

(72) Inventors: **Minsoo Kim**, Seoul (KR); **Jinsoo Kim**,
Yongin-si (KR); **Yongseok Bang**,
Yongin-si (KR)

(73) Assignee: **SAMSUNG ELECTRONICS CO.,**
LTD., Suwon-Si (KR)

(**) Term: **15 Years**

(21) Appl. No.: **29/536,798**

(22) Filed: **Aug. 19, 2015**

(30) **Foreign Application Priority Data**

Feb. 26, 2015 (KR) 30-2015-0009736

(51) **LOC (10) Cl.** **21-01**

(52) **U.S. Cl.**
USPC **D21/333**

(58) **Field of Classification Search**
USPC D14/399-401, 412-416; D21/324, 333;
273/148 B; 463/1, 29-39, 46, 47;
345/156-161, 905
CPC A63F 9/00; A63F 9/24; A63F 13/06;
G06F 3/033; G06F 3/00
See application file for complete search history.

(56) **References Cited**

U.S. PATENT DOCUMENTS

- 5,785,317 A * 7/1998 Sasaki A63F 13/06
273/148 B
- 5,923,317 A * 7/1999 Sayler A63F 13/06
345/156
- 6,225,975 B1 * 5/2001 Furuki A63F 13/06
273/239
- D568,883 S * 5/2008 Ashida D14/400

- D570,349 S * 6/2008 Ashida D14/400
- D620,939 S * 8/2010 Suetake D14/401
- D686,669 S * 7/2013 Ashida D21/328
- D697,140 S 1/2014 Baum
- D702,771 S * 4/2014 Mar D14/401
- D713,468 S * 9/2014 Sawhney D21/324
- D719,614 S * 12/2014 Baum D14/401

FOREIGN PATENT DOCUMENTS

- CN 303034131 S 12/2014
- EM 000614581-0004 11/2006

OTHER PUBLICATIONS

<http://azdesignm.com/676>, date accessed: Mar. 17, 2015.

(Continued)

Primary Examiner — Prabhakar Deshmukh

(74) *Attorney, Agent, or Firm* — McAndrews Held & Malloy, Ltd.

(57) **CLAIM**

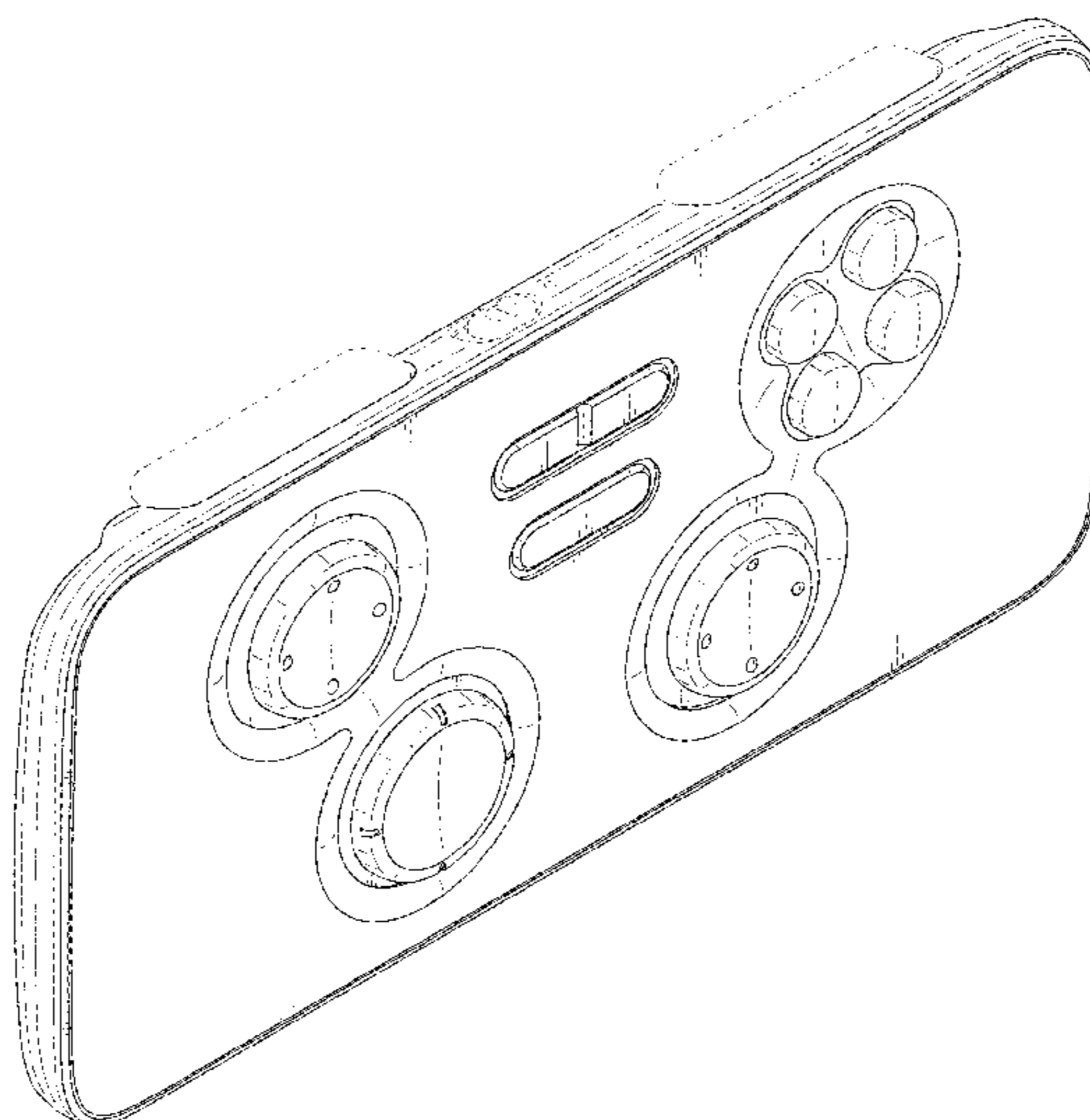
The ornamental design for a game pad, as shown and described.

DESCRIPTION

FIG. 1 is a top left front perspective view of a game pad showing our new design;
FIG. 2 is a front elevation view thereof;
FIG. 3 is a rear elevation view thereof;
FIG. 4 is a left side elevation view thereof;
FIG. 5 is a right side elevation view thereof;
FIG. 6 is a top plan view thereof;
FIG. 7 is a bottom plan view thereof;
FIG. 8 is a top right rear perspective view thereof; and,
FIG. 9 is a top left rear perspective view, in which a head-mounted display device in dot-dash broken lines is provided to illustrate an example environment.

The short dash-dash broken line in the figures represents unclaimed portions of the game pad and the dot-dash broken line showing of a head-mounted display device in FIG. 9 is for the purpose of illustrating environmental structure; the broken lines form no part of the claimed design.

1 Claim, 9 Drawing Sheets



(56)

References Cited

http://gamtec.en.alibaba.com/product/329412234-50022463/Mini_USB_Vibration_joypad_Usb_game_controller_gamepad.html,
date accessed: Mar. 17, 2015.

OTHER PUBLICATIONS

<http://www.dx.com/p/bluetooth-v3-0-gamepad-for-apple-android-system-blue-294864>, date accessed: Mar. 17, 2015.

* cited by examiner

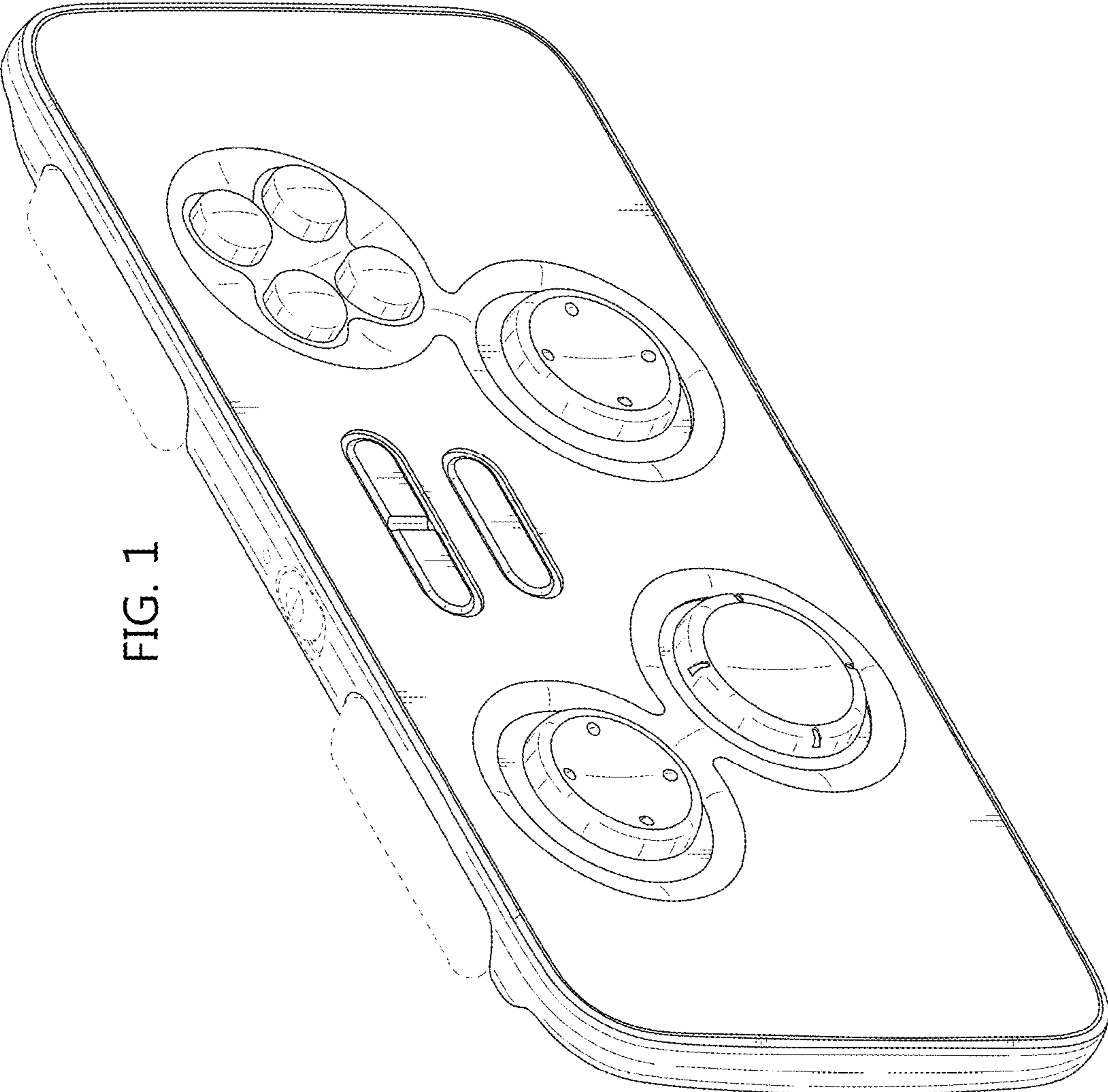


FIG. 1

FIG. 2

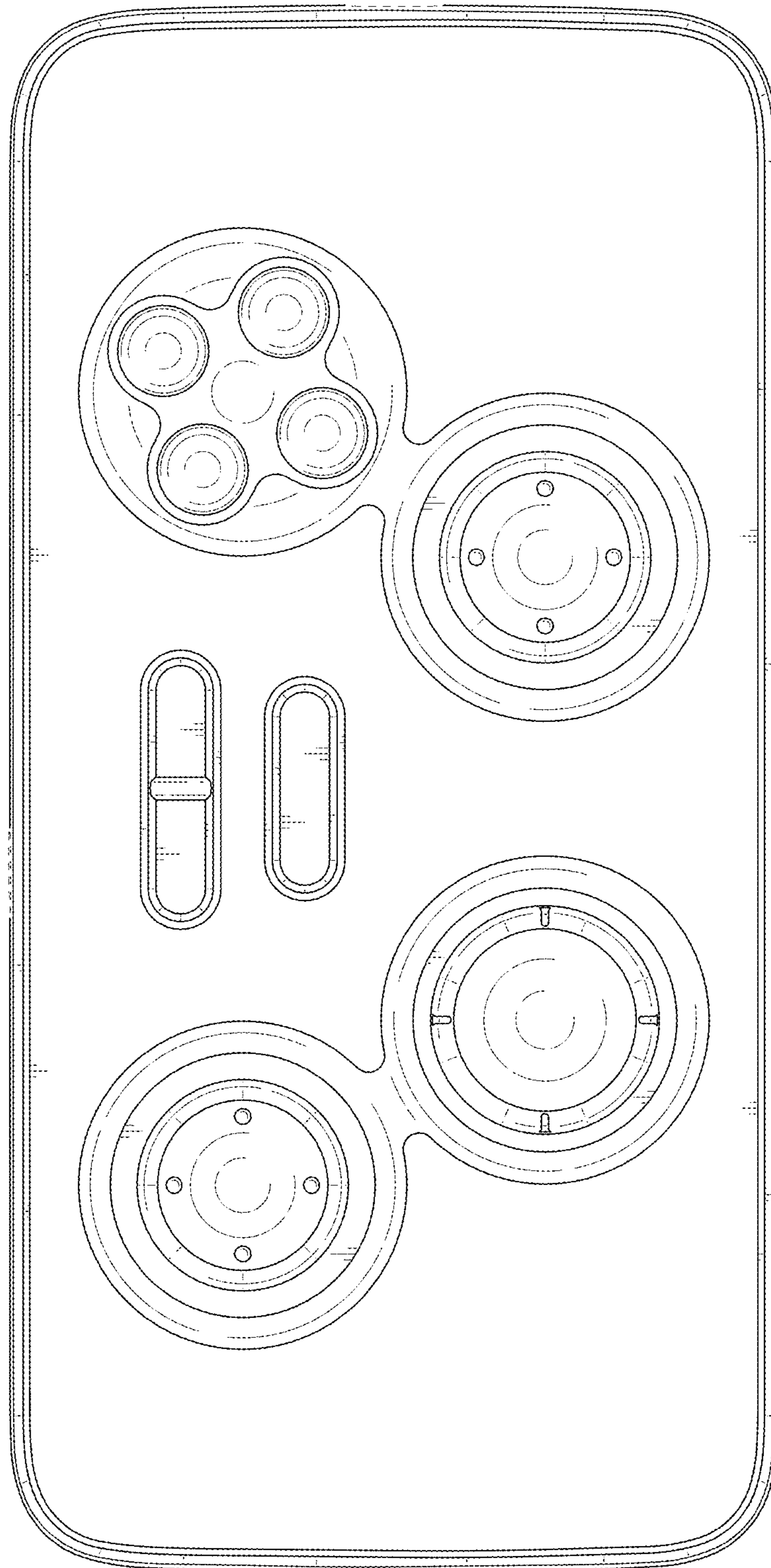


FIG. 3

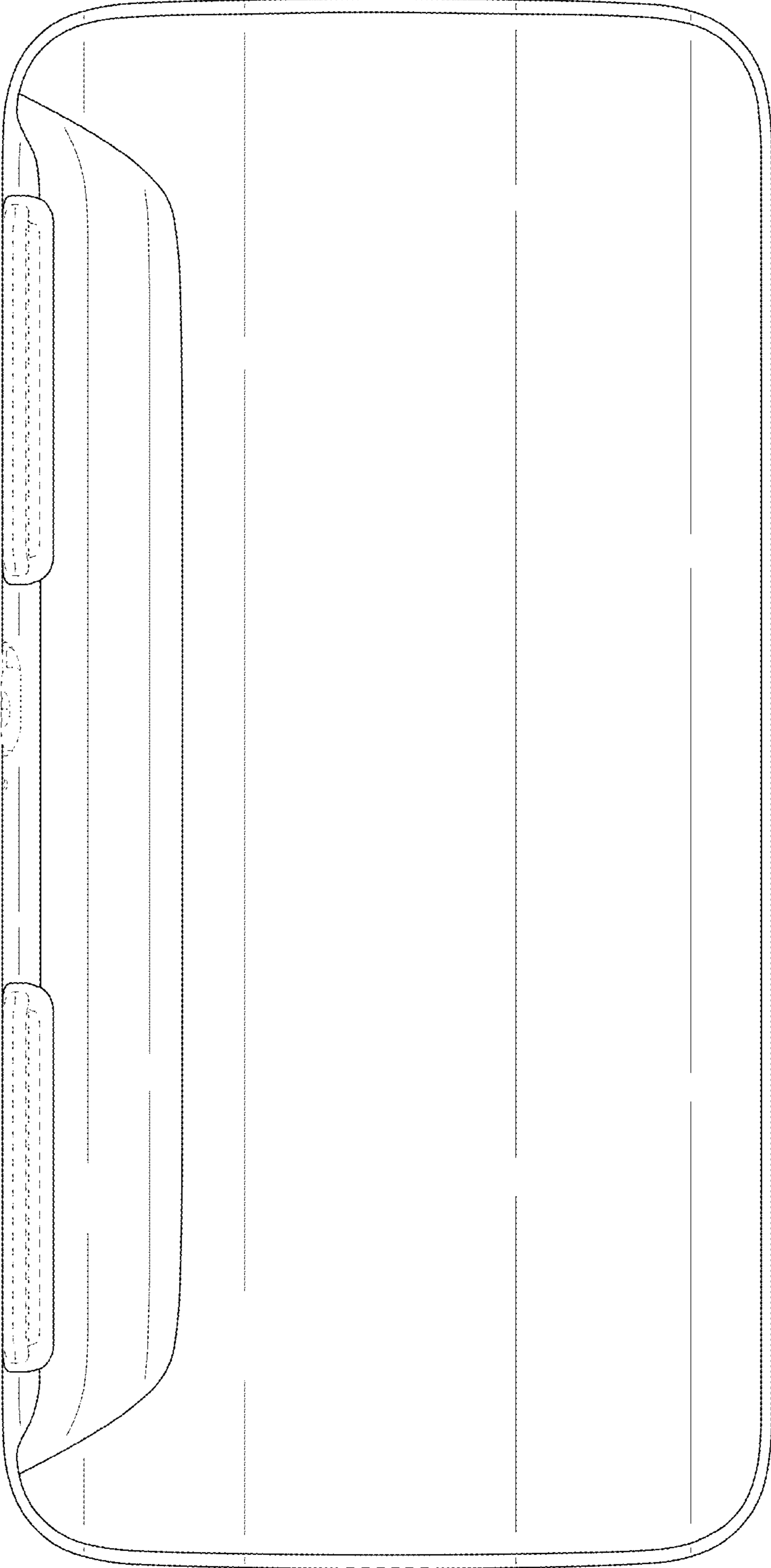


FIG. 4

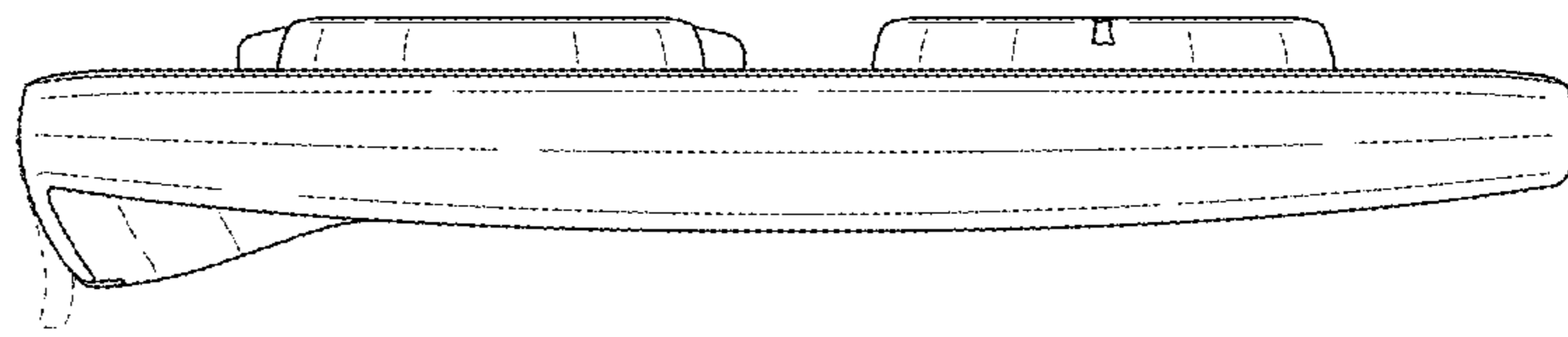


FIG. 5

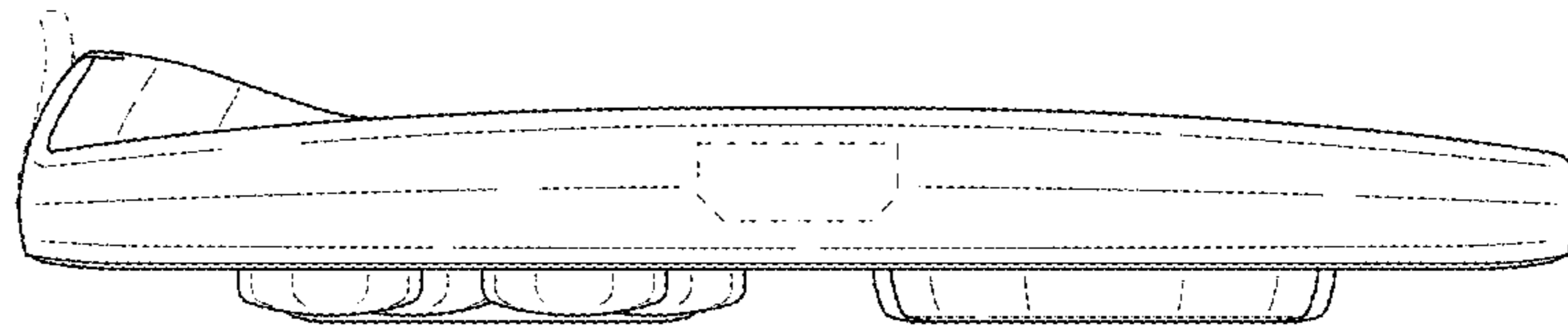


FIG. 6

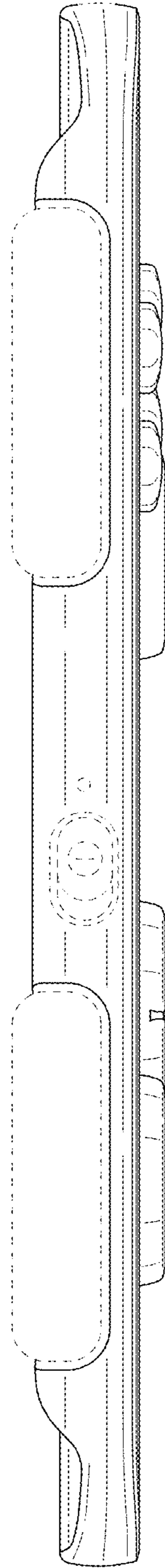
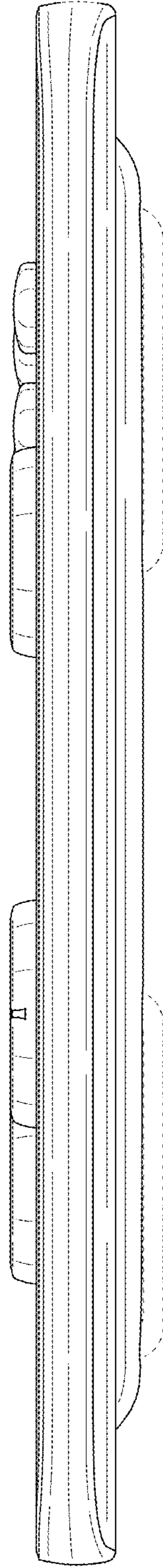


FIG. 7



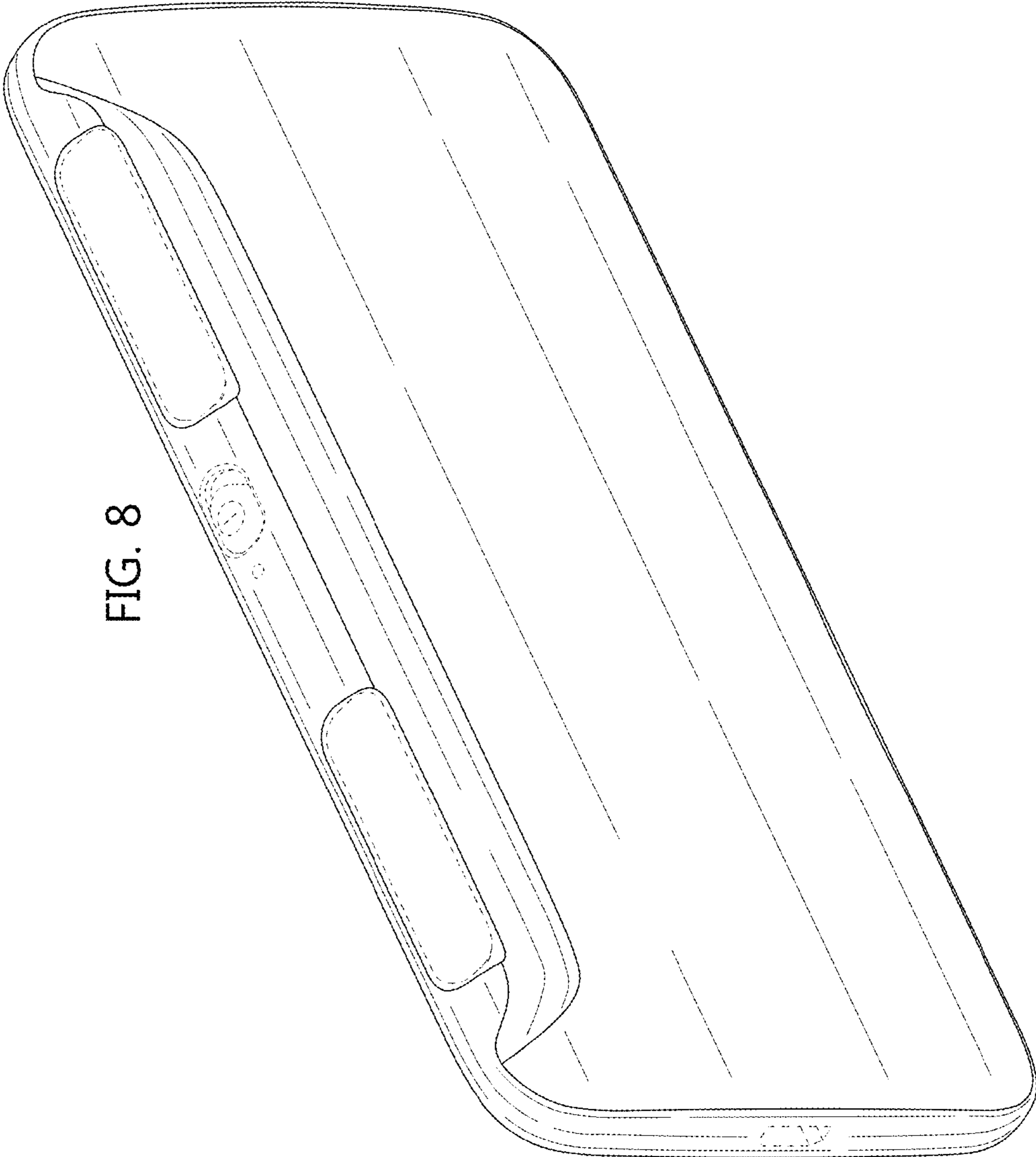


FIG. 8

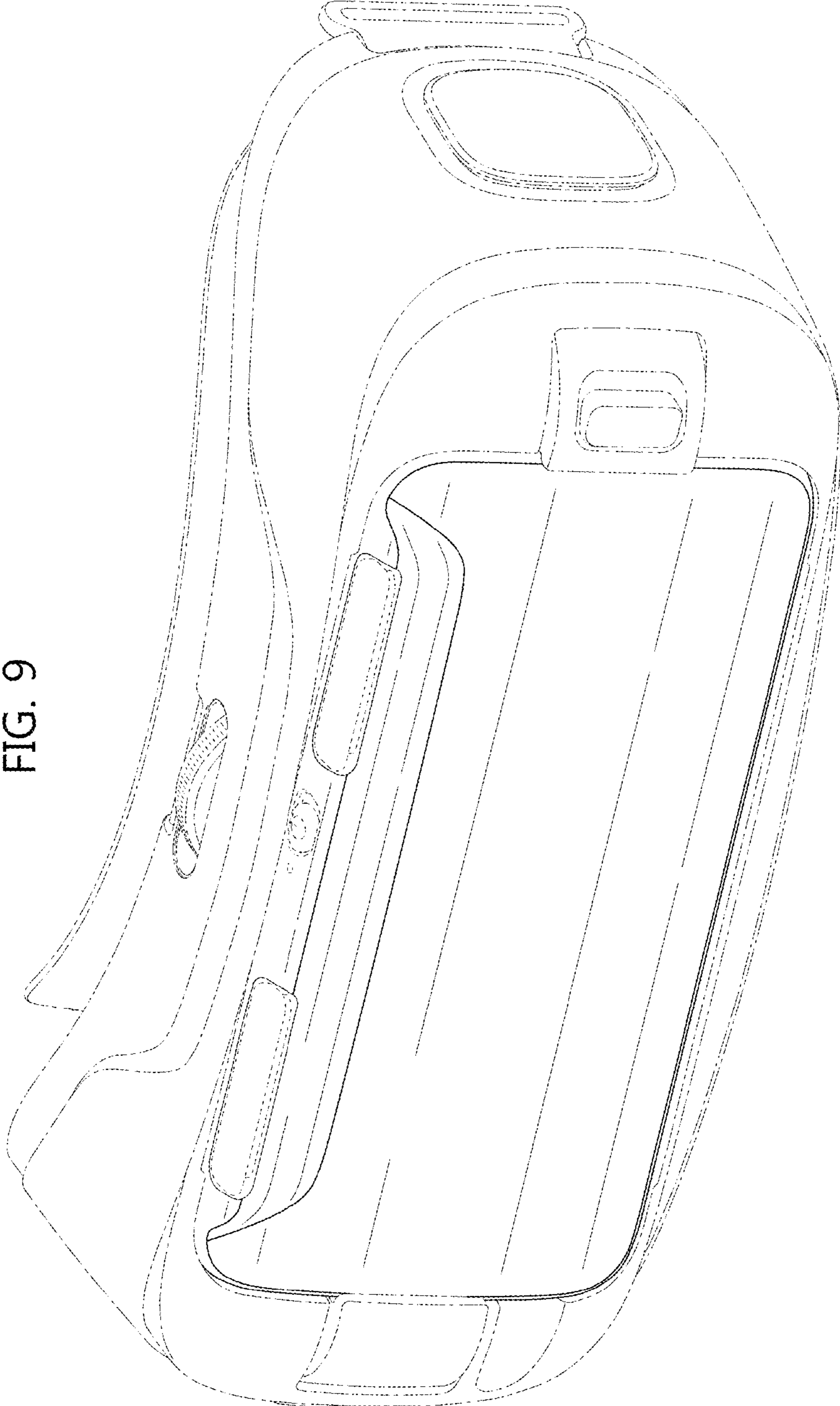


FIG. 9