



US00D768781S

(12) **United States Design Patent** (10) **Patent No.:** **US D768,781 S**
Peruffo (45) **Date of Patent:** **** Oct. 11, 2016**

(54) **IDENTIFICATION TAG** 4,112,603 A * 9/1978 Giulie G09F 3/18
283/79
(71) Applicant: **CONFEZIONI PESERICO S.P.A.**, D285,940 S * 9/1986 James D20/27
Cornedo Vicentino (Vicenza) (IT) 4,907,359 A * 3/1990 Berman G09F 3/14
40/330
(72) Inventor: **Riccardo Luigi Peruffo**, Cornedo D317,181 S * 5/1991 Nozawa 283/80
Vicentino (IT) D374,462 S * 10/1996 Tyler D20/27
D380,012 S * 6/1997 McGarry-Webster D20/22
(73) Assignee: **CONFEZIONI PESERICO S.P.A.**, D433,070 S * 10/2000 Weststrate D20/22
Cornedo Vicentino (Vicenza) (IT) 7,836,622 B1 * 11/2010 King G09F 3/0289
206/820

(**) Term: **14 Years**
(21) Appl. No.: **29/506,054**
(22) Filed: **Oct. 13, 2014**

(30) **Foreign Application Priority Data**
Jul. 9, 2014 (EM) 002499160-0001
(51) **LOC (10) Cl.** **19-08**
(52) **U.S. Cl.**
USPC **D20/27**
(58) **Field of Classification Search**
USPC D20/10, 19, 22-29, 99
CPC G09F 3/00; G09F 3/10; G09F 3/14;
G09F 3/18; G09F 3/0289; G09F 3/0292;
G09F 2003/0264; G09F 2003/0266; G09F
2003/0267; G09F 2003/0269; G09F 2003/027
See application file for complete search history.

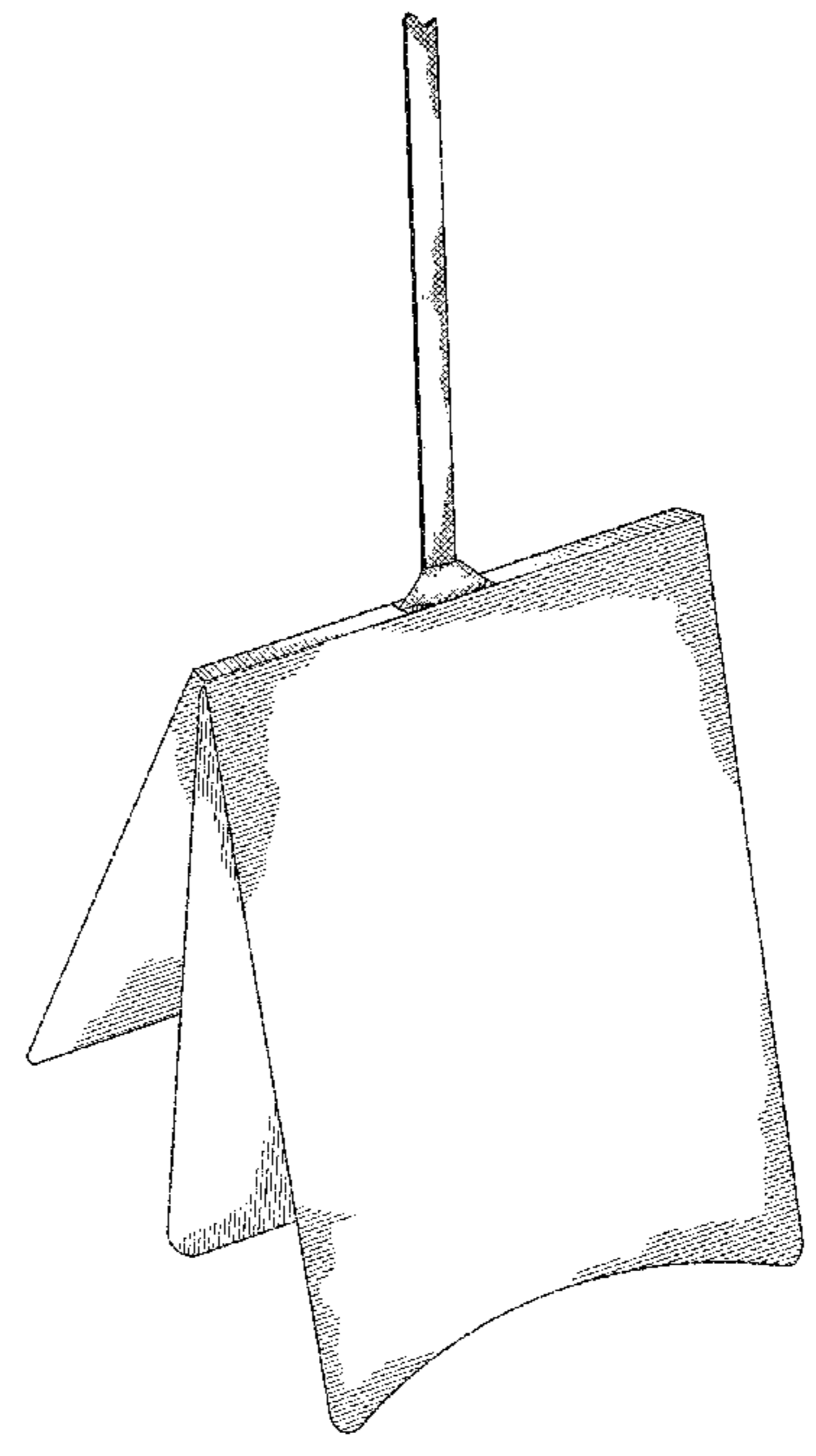
(56) **References Cited**
U.S. PATENT DOCUMENTS
247,165 A * 9/1881 Chantrel G09F 3/14
40/27
2,979,840 A * 4/1961 Eastman G09F 3/10
206/447

* cited by examiner
Primary Examiner — Mary Ann Calabrese
(74) *Attorney, Agent, or Firm* — Collard & Roe, P.C.

(57) **CLAIM**
The ornamental design for an identification tag, as shown and described.

DESCRIPTION
FIG. 1 is a three quarter perspective view showing the front, top, and side of a partially open identification tag, showing my new design;
FIG. 2 is a front view thereof shown closed;
FIG. 3 is a rear view thereof shown closed;
FIG. 4 is a top view thereof shown closed;
FIG. 5 is a bottom view thereof shown closed;
FIG. 6 is a left side view thereof shown closed, in line thickness;
FIG. 7 is a right side view thereof shown closed, in line thickness;
FIG. 8 is a front view thereof shown open; and,
FIG. 9 is a rear view thereof shown open.

1 Claim, 7 Drawing Sheets



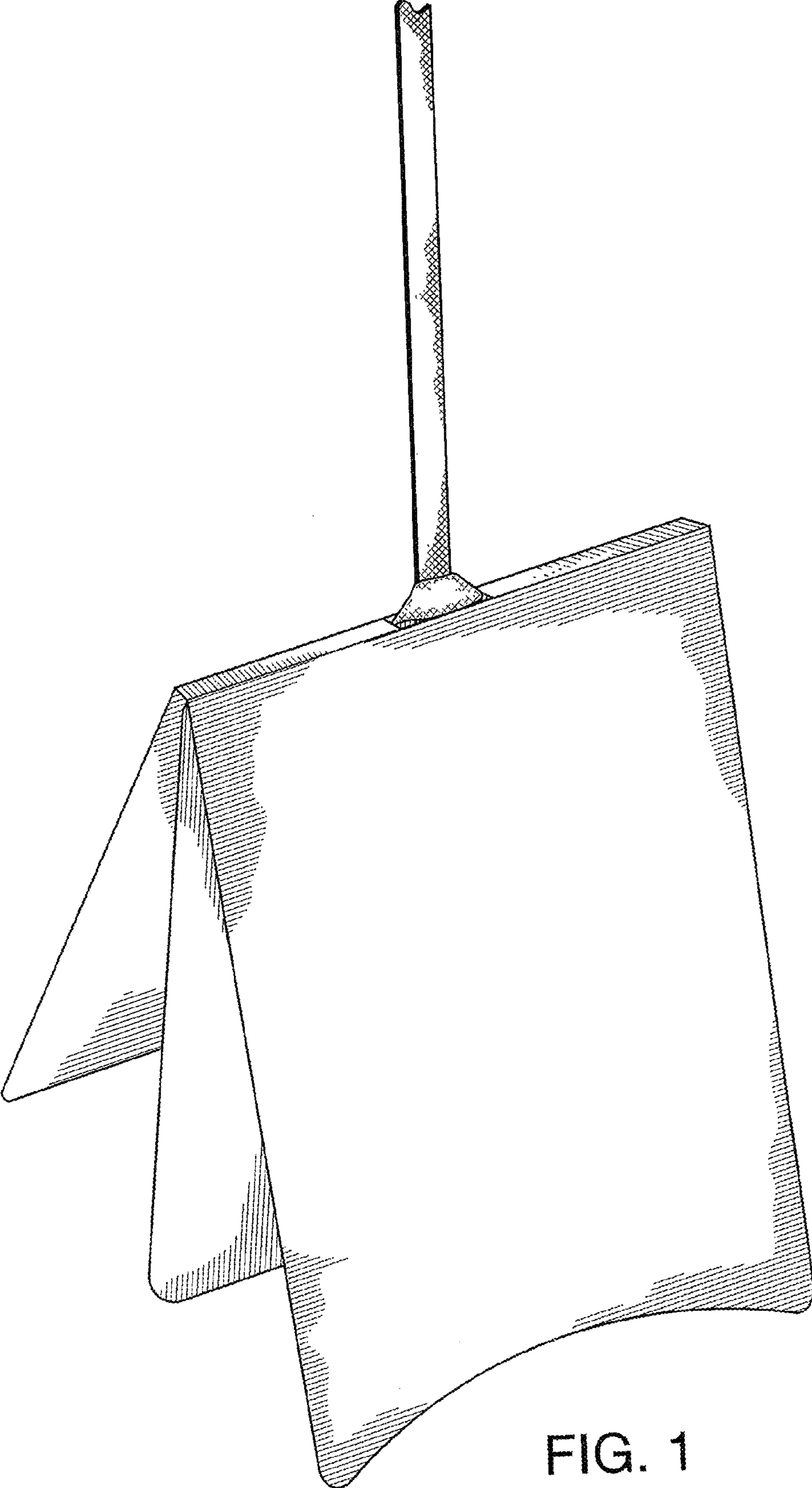


FIG. 1

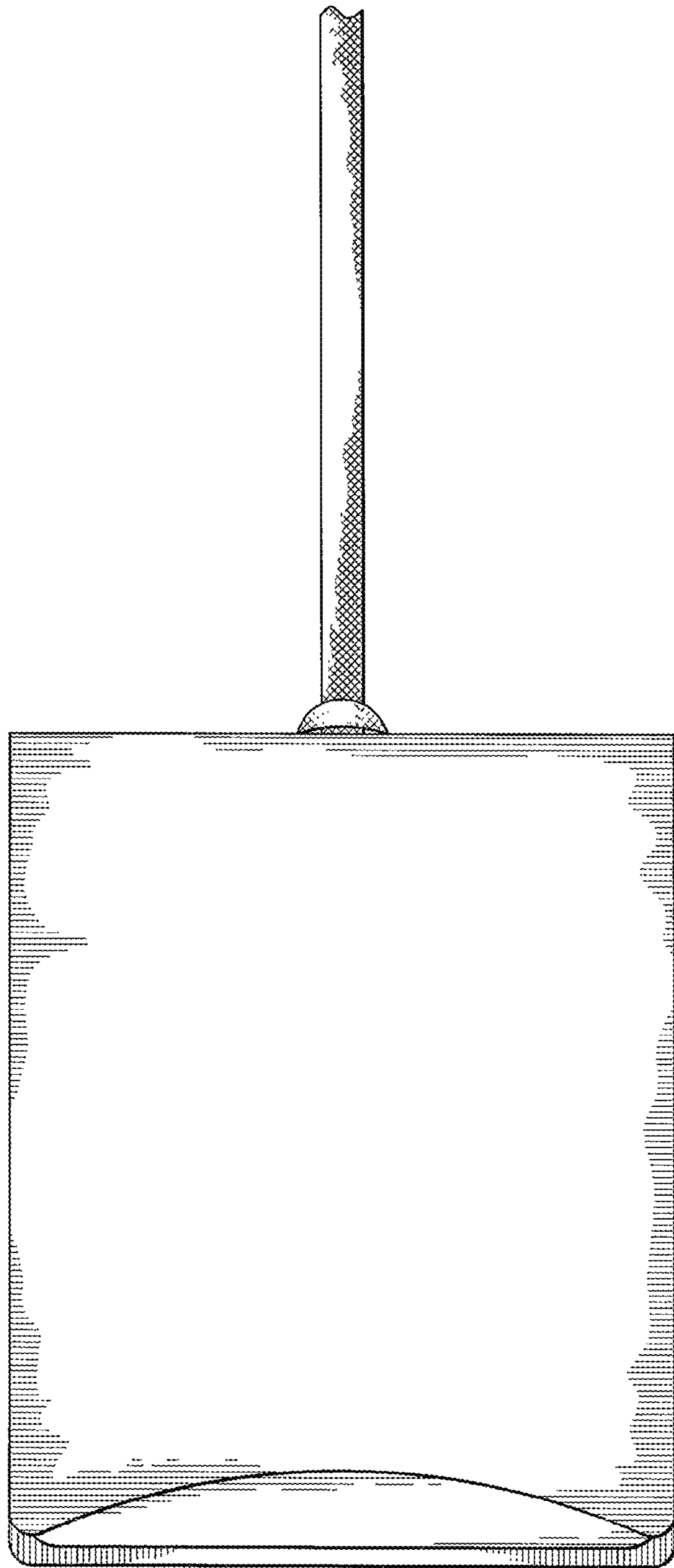


FIG. 2

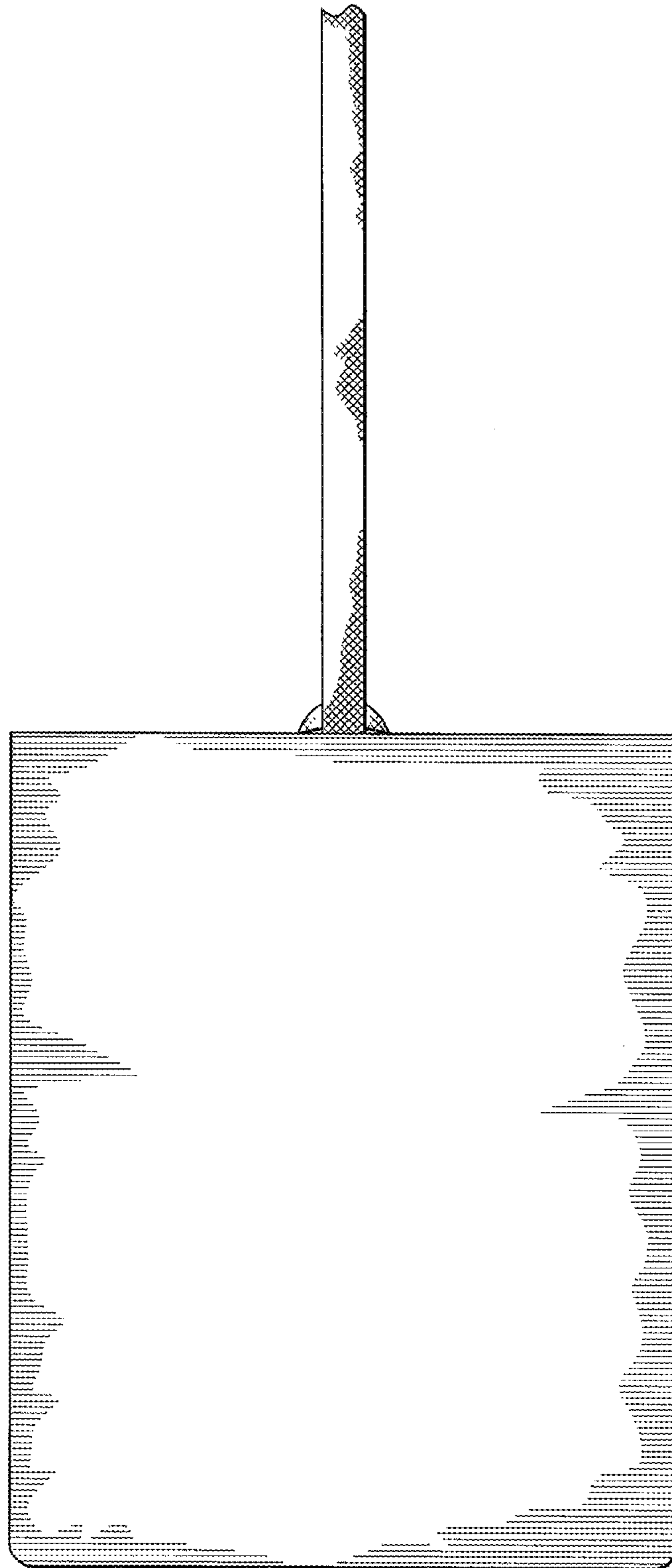


FIG. 3

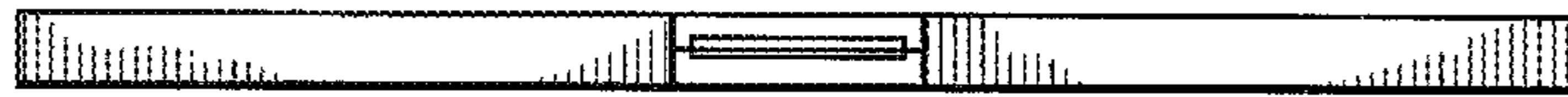


FIG. 4

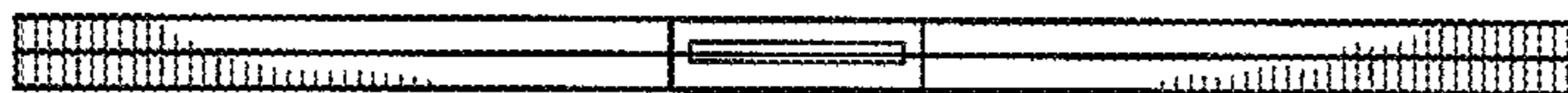


FIG. 5



FIG. 6



FIG. 7

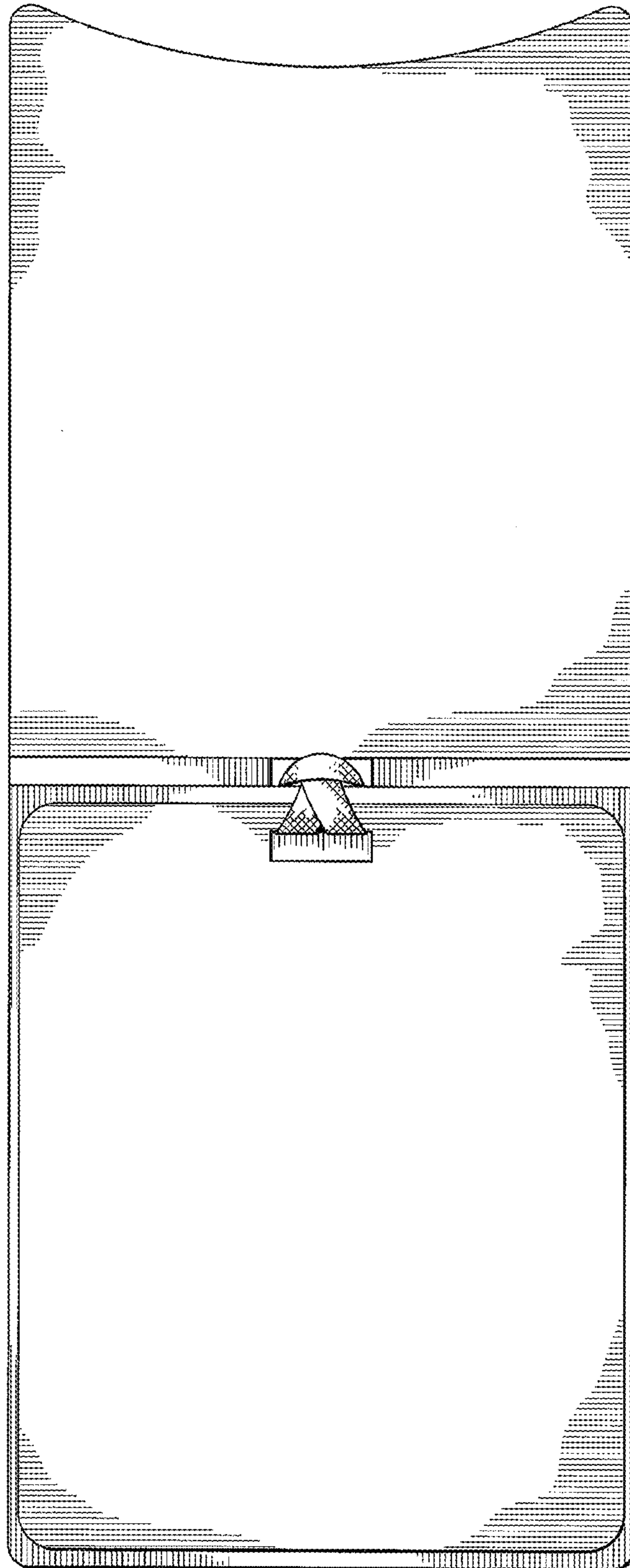


FIG. 8

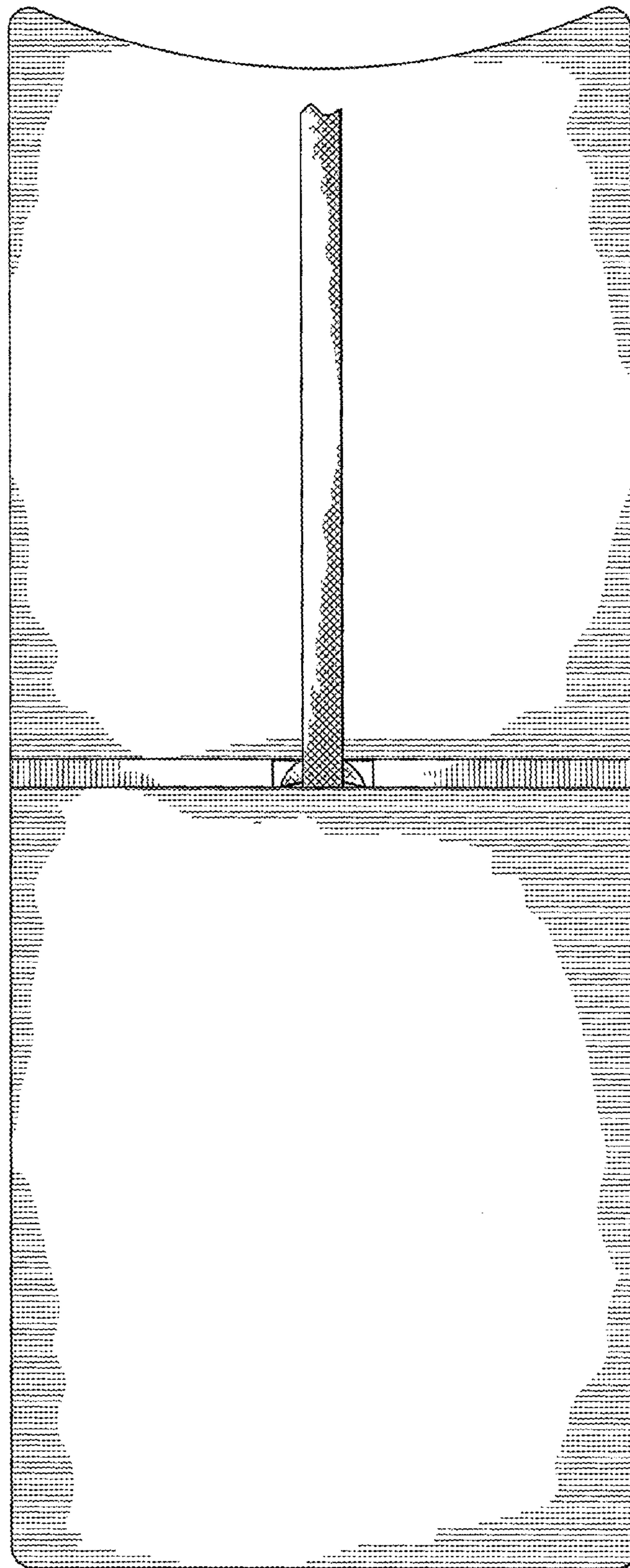


FIG. 9