

US00D768778S

(12) **United States Design Patent**  
**Shibata**

(10) **Patent No.:** **US D768,778 S**

(45) **Date of Patent:** **\*\* Oct. 11, 2016**

(54) **MECHANICAL PENCIL**

(71) Applicant: **PENTEL KABUSHIKI KAISHA,**  
Tokyo (JP)

(72) Inventor: **Tomoaki Shibata,** Tokyo (JP)

(73) Assignee: **PENTEL KABUSHIKI KAISHA (JP)**

(\*\*) Term: **15 Years**

(21) Appl. No.: **35/500,399**

(22) Filed: **May 15, 2015**

(80) **Hague Agreement Data**

Int. Filing Date: **May 15, 2015**

Int. Reg. No.: **DM/088600**

Int. Reg. Date: **May 15, 2015**

Int. Reg. Pub. Date: **Dec. 25, 2015**

(30) **Foreign Application Priority Data**

Nov. 20, 2014 (JP) ..... DM/025937

(51) **LOC (10) Cl.** ..... **19-06**

(52) **U.S. Cl.**  
USPC ..... **D19/174; D19/916**

(58) **Field of Classification Search**

USPC ..... D14/411; D19/115-204

CPC ..... B43K 5/00; B43K 7/00; B43K 7/10;

B43K 7/12; B43K 8/04; B43K 19/00; B43K  
19/02; B43K 19/14

See application file for complete search history.

(56) **References Cited**

**U.S. PATENT DOCUMENTS**

D271,212 S \* 11/1983 Itoh ..... D19/165

D284,773 S \* 7/1986 Schwartz ..... D19/184

D339,822 S *	9/1993	Mock	.....	D19/167
D410,030 S *	5/1999	Sunaga	.....	401/6
D417,699 S *	12/1999	Izushima	.....	D19/174
D440,602 S *	4/2001	Ikeda	.....	D19/174
D453,187 S *	1/2002	Keda	.....	D19/174
D484,537 S *	12/2003	Arita	.....	D19/167
D510,598 S *	10/2005	Qiu	.....	D19/167
D546,880 S *	7/2007	Slemp	.....	D19/174
D589,090 S *	3/2009	Dhesse	.....	D19/199
D631,913 S *	2/2011	Li	.....	D19/174
D642,619 S *	8/2011	Kermoal	.....	D19/174
D648,387 S *	11/2011	Liang	.....	D19/172
D683,400 S *	5/2013	Xie	.....	D19/172
D722,646 S *	2/2015	Wang	.....	D19/174
2015/0165812 A1 *	6/2015	Fukumoto	.....	B43K 1/08 401/209

\* cited by examiner

*Primary Examiner* — Elizabeth Albert

(74) *Attorney, Agent, or Firm* — Adams & Wilks

(57) **CLAIM**

The ornamental design for a mechanical pencil, as shown and described.

**DESCRIPTION**

1. Mechanical pencil

1.1 is a top perspective view of a mechanical pencil showing my new design;

1.2 is a front elevational view thereof;

1.3 is a rear elevational view thereof;

1.4 is a side elevational view thereof;

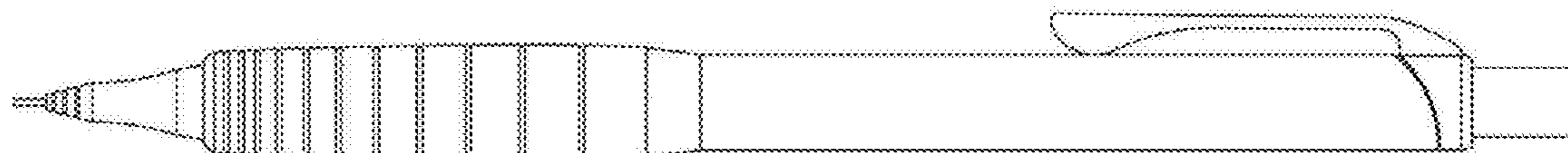
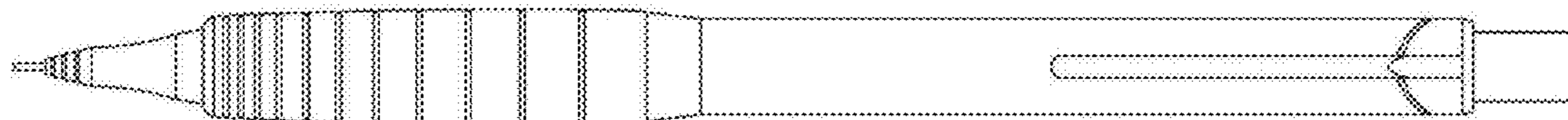
1.5 is an end view thereof;

1.6 is the opposite end view thereof;

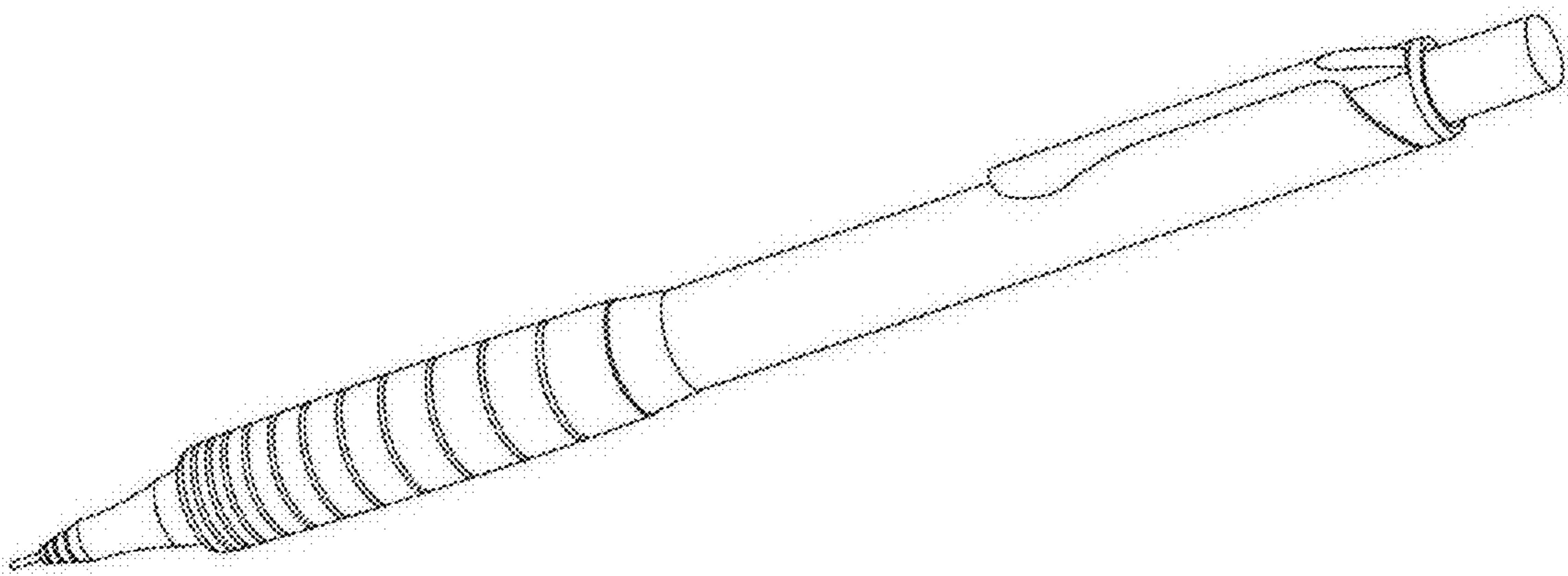
1.7 is an enlarged view of the end shown in 1.6; and

1.8 is an enlarged view of the end shown in 1.5.

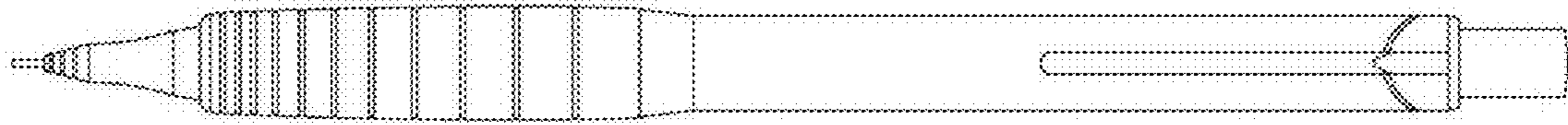
**1 Claim, 8 Drawing Sheets**



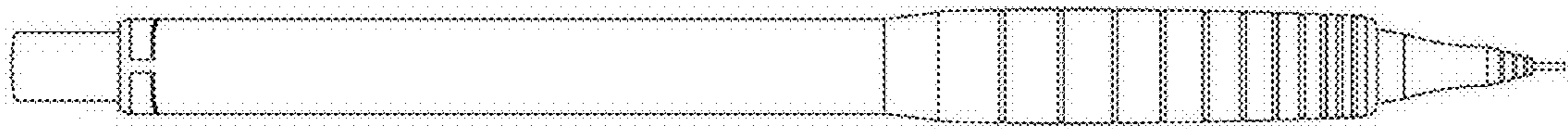
1.1



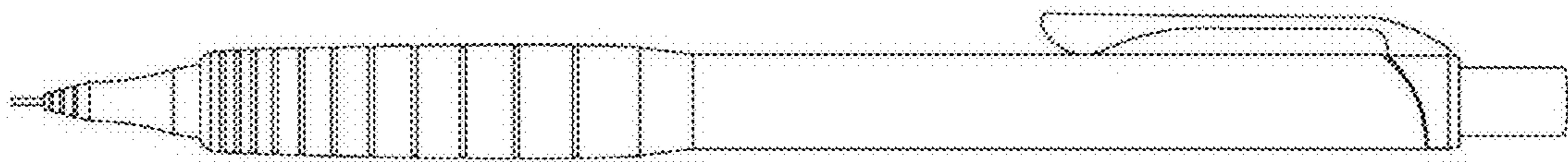
1.2



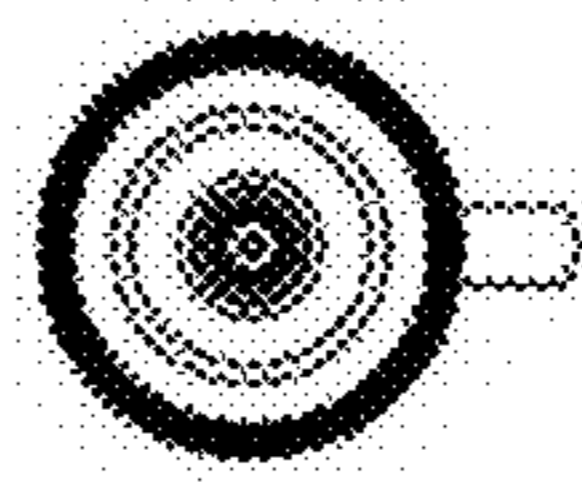
1.3



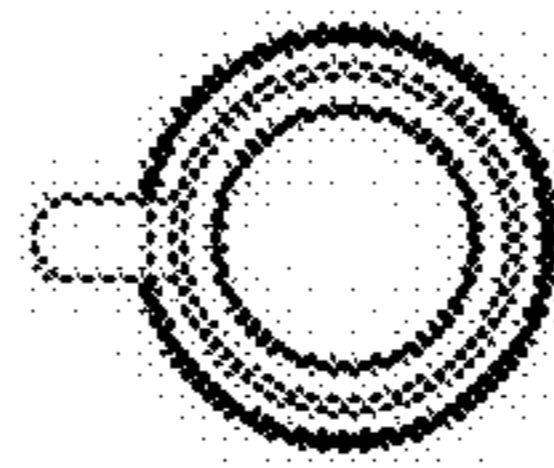
1.4



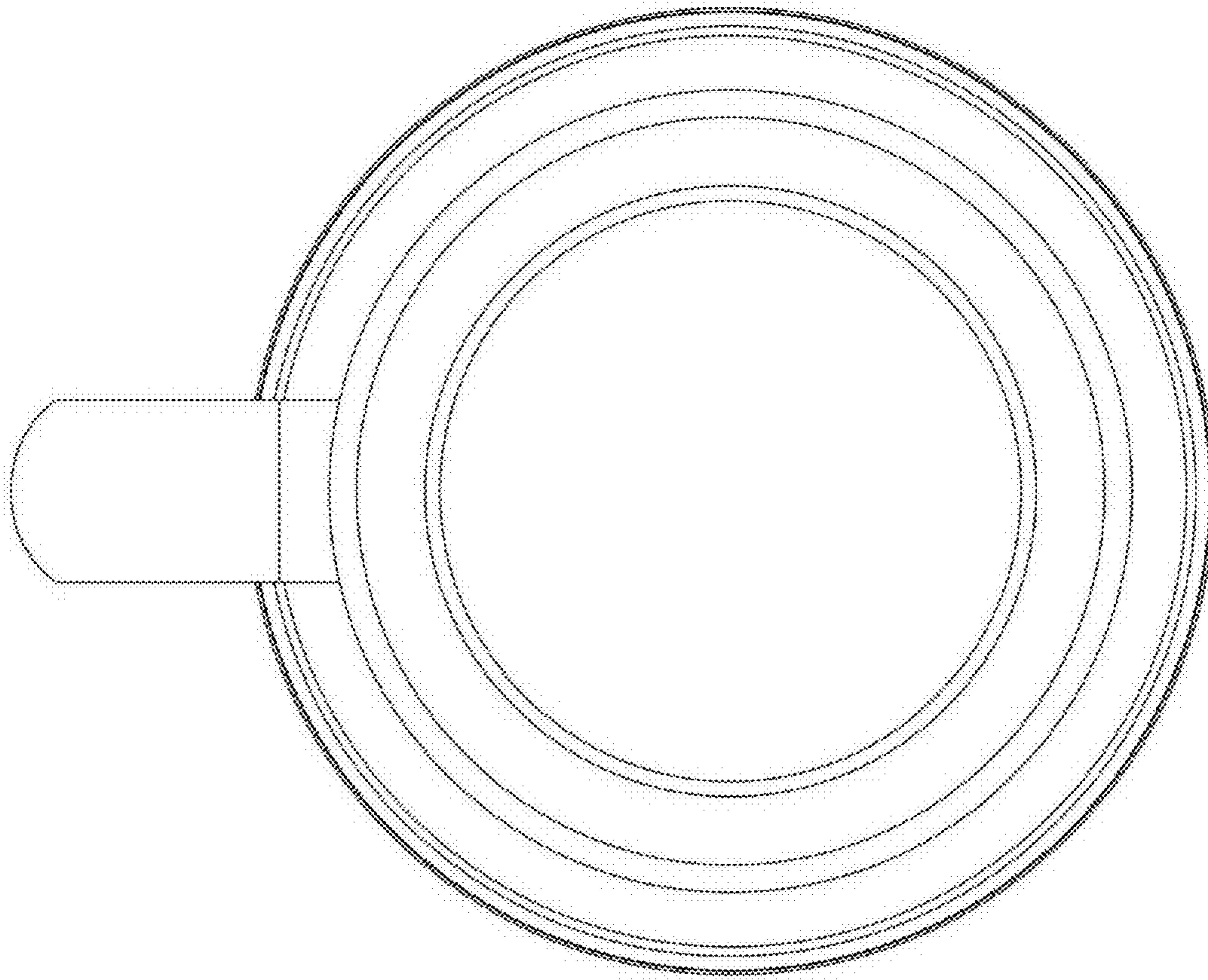
1.5



1.6



1.7





1.8

