



US00D768777S

(12) **United States Design Patent**
Matsumura

(10) **Patent No.:** **US D768,777 S**
(45) **Date of Patent:** **** Oct. 11, 2016**

(54) **BALLPOINT PEN WITH STYLUS**

(71) Applicant: **KABUSHIKI KAISHA PILOT CORPORATION**, Tokyo (JP)

(72) Inventor: **Naomi Matsumura**, Tokyo (JP)

(73) Assignee: **KABUSHIKI KAISHA PILOT CORPORATION**, Tokyo (JP)

(**) Term: **15 Years**

(21) Appl. No.: **29/530,515**

(22) Filed: **Jun. 17, 2015**

(30) **Foreign Application Priority Data**

Jan. 6, 2015 (JP) 2015-000064

(51) **LOC (10) Cl.** **19-06**

(52) **U.S. Cl.**
USPC **D19/174; D19/916**

(58) **Field of Classification Search**
USPC D14/411; D19/115-204
CPC B43K 5/005; B43K 5/16; B43K 7/00;
B43K 7/10; B43K 7/12; B43K 8/02; B43K
8/022; B43K 8/024; B43K 8/04
See application file for complete search history.

(56) **References Cited**

U.S. PATENT DOCUMENTS

D124,230 S * 12/1940 Dreyfuss D19/174
D206,636 S * 1/1967 Zierhut et al. D19/174
D338,039 S * 8/1993 Takahashi 401/6
D378,601 S * 3/1997 Sakuno 401/6

D400,922 S * 11/1998 Sakuno D19/174
D401,624 S * 11/1998 Sakuno D19/174
D407,114 S * 3/1999 Sakuno D19/174
D463,821 S * 10/2002 Nishida D19/174
D478,627 S * 8/2003 Moon D19/174
D480,756 S * 10/2003 Hwang D19/174
D540,385 S * 4/2007 Qiu D19/170
D605,699 S * 12/2009 Li D19/174
D616,497 S * 5/2010 Shiina D19/173
D626,995 S * 11/2010 Ikeda D19/174
D685,420 S * 7/2013 Jin D19/119
D689,936 S * 9/2013 Jiang D19/174
D726,821 S * 4/2015 Casciotti D19/117
D733,219 S * 6/2015 Li D19/173
9,108,456 B2 * 8/2015 Ito B43K 7/02
2012/0308290 A1 * 12/2012 Ito B43K 7/02
401/104

* cited by examiner

Primary Examiner — Elizabeth Albert

(74) *Attorney, Agent, or Firm* — Sughrue Mion, PLLC

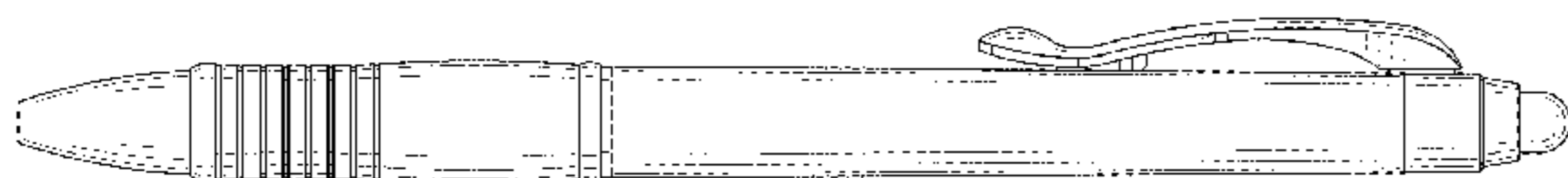
(57) **CLAIM**

The ornamental design for a ballpoint pen with stylus, as shown and described.

DESCRIPTION

FIG. 1 is a perspective view of a ballpoint pen with stylus showing my new design;
FIG. 2 is a front view thereof, a rear view being a mirror image thereof;
FIG. 3 is a left side view thereof;
FIG. 4 is a right side view thereof;
FIG. 5 is a top view thereof;
FIG. 6 is a bottom view thereof; and,
FIG. 7 is a front view of usage thereof.

1 Claim, 3 Drawing Sheets



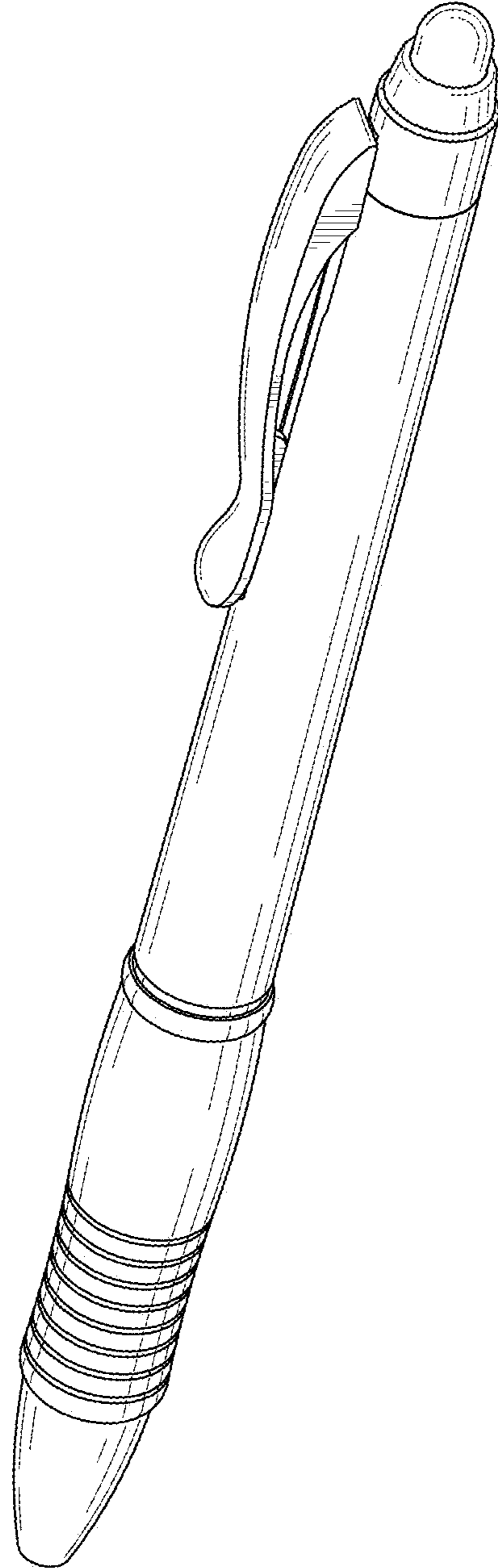


FIG. 1

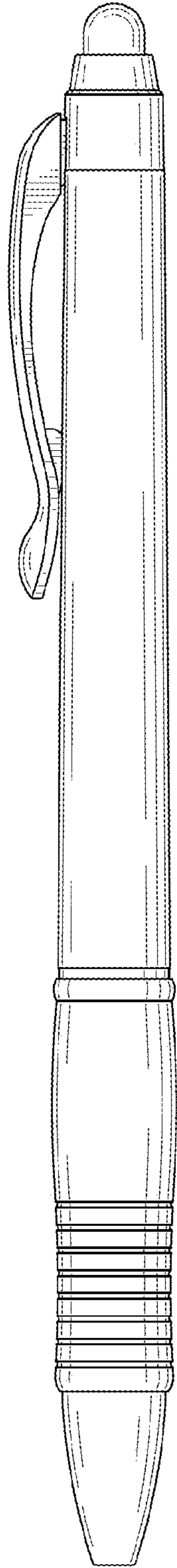


FIG. 2

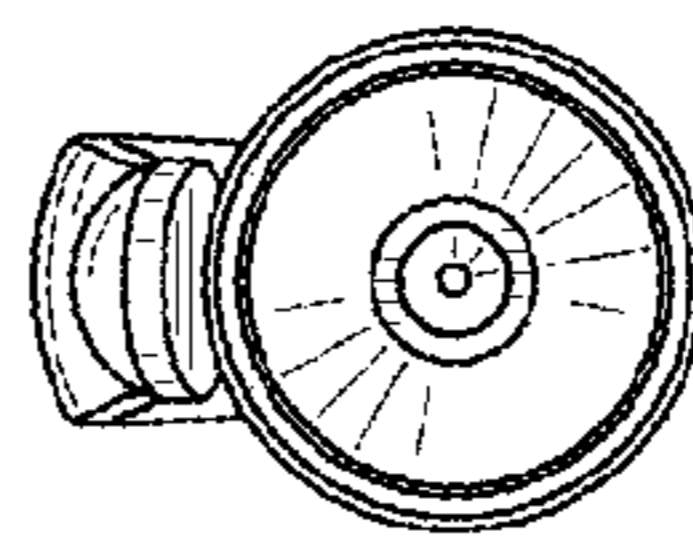


FIG. 3

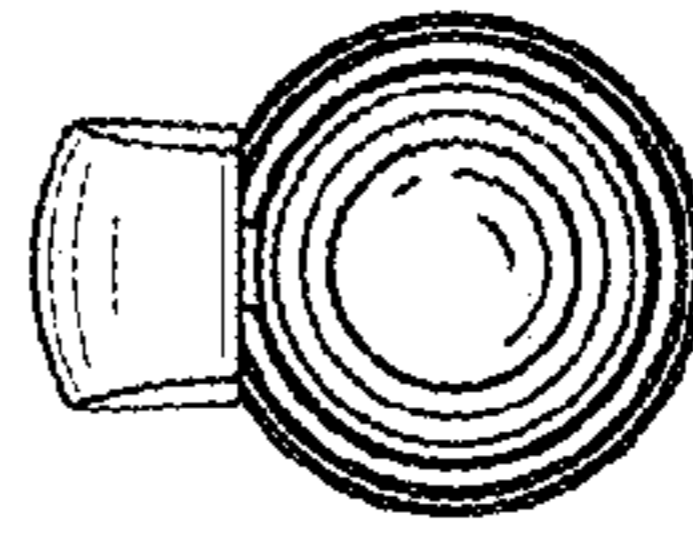


FIG. 4

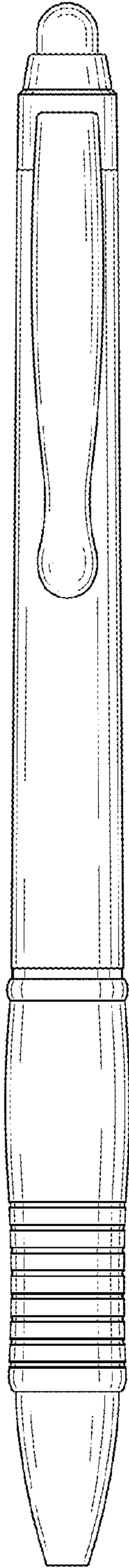


FIG. 5

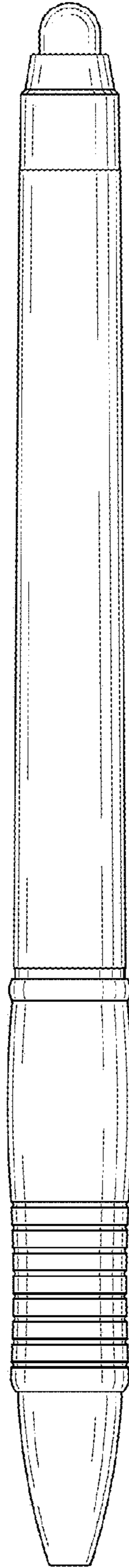


FIG. 6

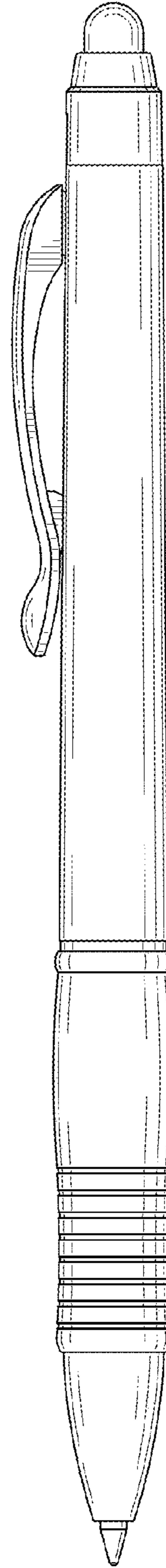


FIG. 7