



US00D768766S

(12) **United States Design Patent**
Demange

(10) **Patent No.:** **US D768,766 S**

(45) **Date of Patent:** **** Oct. 11, 2016**

(54) **PAYMENT TERMINAL**

19/06028; G06K 19/0614; G06K 19/06206;
G06K 19/067

(71) Applicant: **COMPAGNIE INDUSTRIELLE ET
FINANCIERE D'INGENIERIE
"INGENICO"**, Paris (FR)

See application file for complete search history.

(72) Inventor: **Fabien Demange**, Saint-Peray (FR)

(56) **References Cited**

(73) Assignee: **Compagnie Industrielle et Financiere
D'Ingenierie "Ingenico"**, Paris (FR)

U.S. PATENT DOCUMENTS

(**) Term: **14 Years**

D638,465 S *	5/2011	Goldin	D18/4.6
D672,386 S *	12/2012	Matunuma	D18/4.6
D716,369 S *	10/2014	Park	D18/4.4
D716,370 S *	10/2014	Park	D18/4.4
D716,371 S *	10/2014	Lee	D18/4.4
D719,999 S *	12/2014	Sohrabi	D18/4.4

(21) Appl. No.: **29/509,895**

* cited by examiner

(22) Filed: **Nov. 21, 2014**

Primary Examiner — Daniel Bui

Assistant Examiner — Khawaja Anwar

(30) **Foreign Application Priority Data**

(74) *Attorney, Agent, or Firm* — Workman Nydegger

May 23, 2014 (EM) 002470104-0001

(51) **LOC (10) Cl.** **18-01**

(52) **U.S. Cl.**

USPC **D18/4.4**

(58) **Field of Classification Search**

USPC D18/4.4, 4.5, 4.6, 12, 12.1, 12.3;
D14/383, 384, 385, 386, 378

CPC G06K 19/07749; G06K 19/0723;
G06K 19/041; G06K 19/07758; G06K
19/0775; G06K 19/07783; G06K 19/07794;
G06K 19/06046; G06K 19/07722; G06K
19/07773; G06K 19/07779; G06K 19/07784;
G06K 19/07786; G06K 19/0709; G06K
7/10178; G06K 7/10336; G06K 7/1096;
G06K 13/067; G06K 13/16; G06K 17/00;
G06K 17/0006; G06K 17/0022; G06K
17/0025; G06K 19/02; G06K 19/06; G06K

(57) **CLAIM**

The ornamental design for a payment terminal, as shown and described.

DESCRIPTION

FIG. 1 is a front perspective view of a payment terminal showing my new design;

FIG. 2 is a front elevational view thereof;

FIG. 3 is a left side elevational view thereof;

FIG. 4 is a right side elevational view thereof;

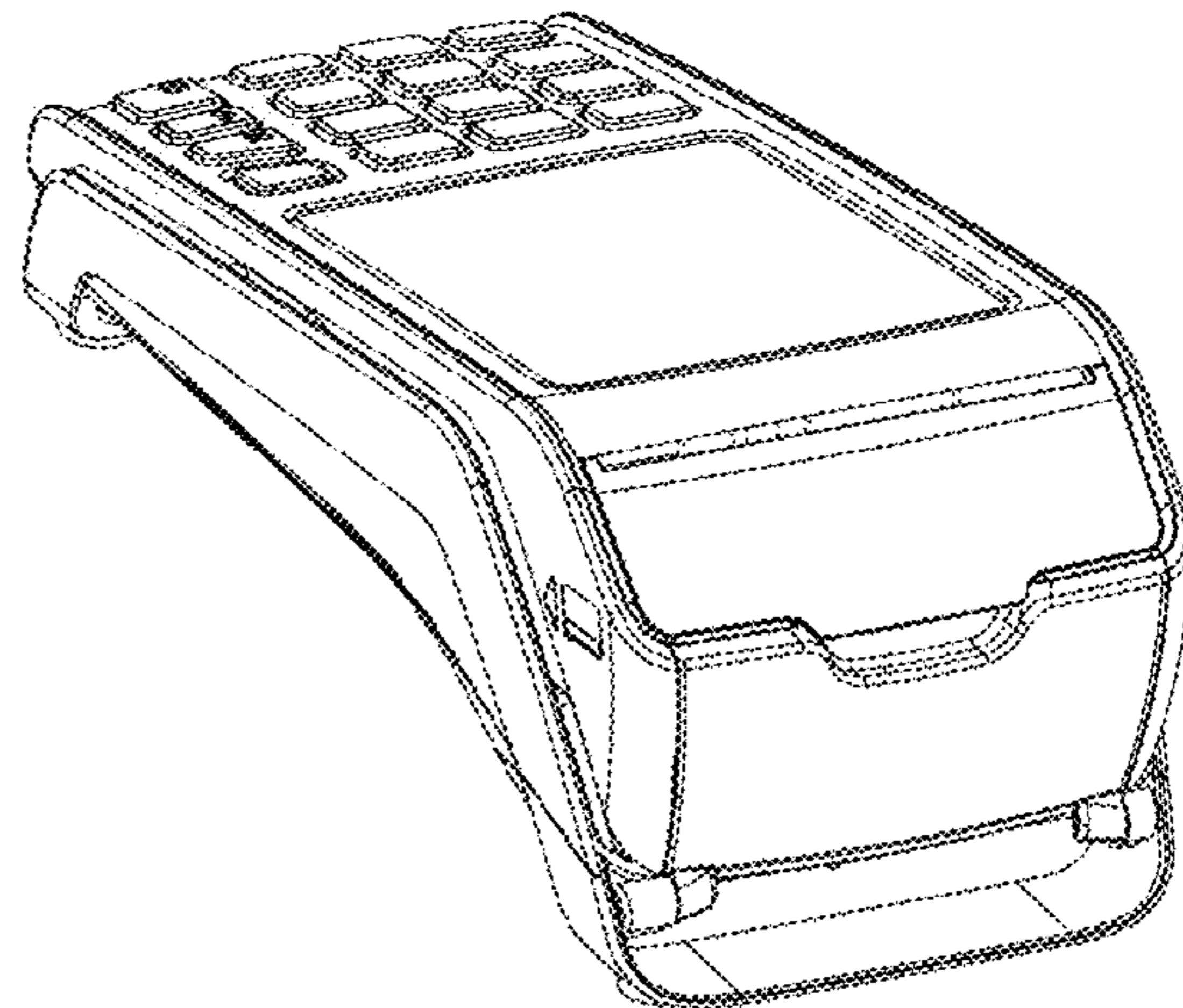
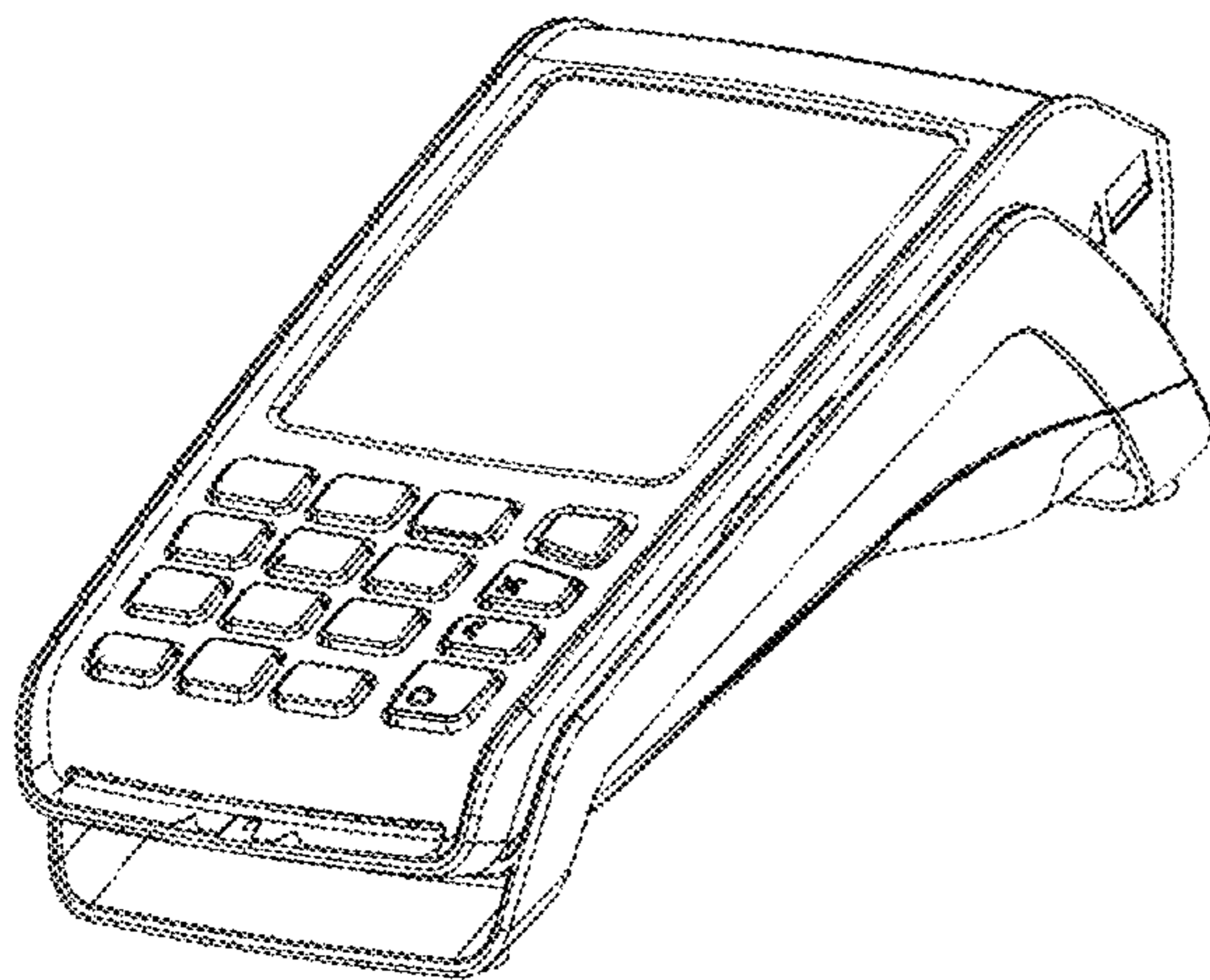
FIG. 5 is a bottom plan view thereof;

FIG. 6 is a top plan view thereof; and,

FIG. 7 is a top perspective view thereof.

The broken lines in figure drawings represent unclaimed environment only and form no part of the claimed design.

1 Claim, 6 Drawing Sheets



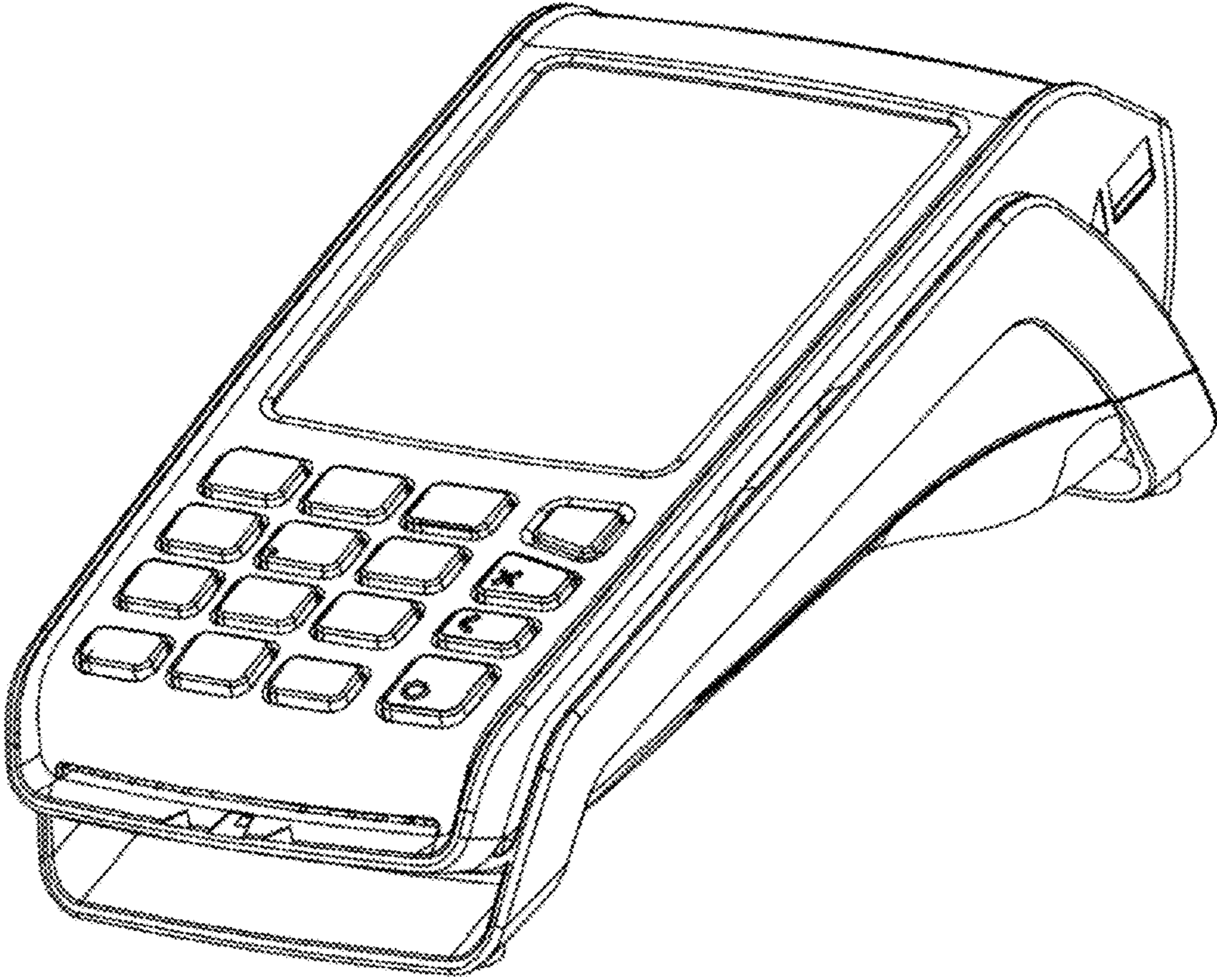


FIG. 1

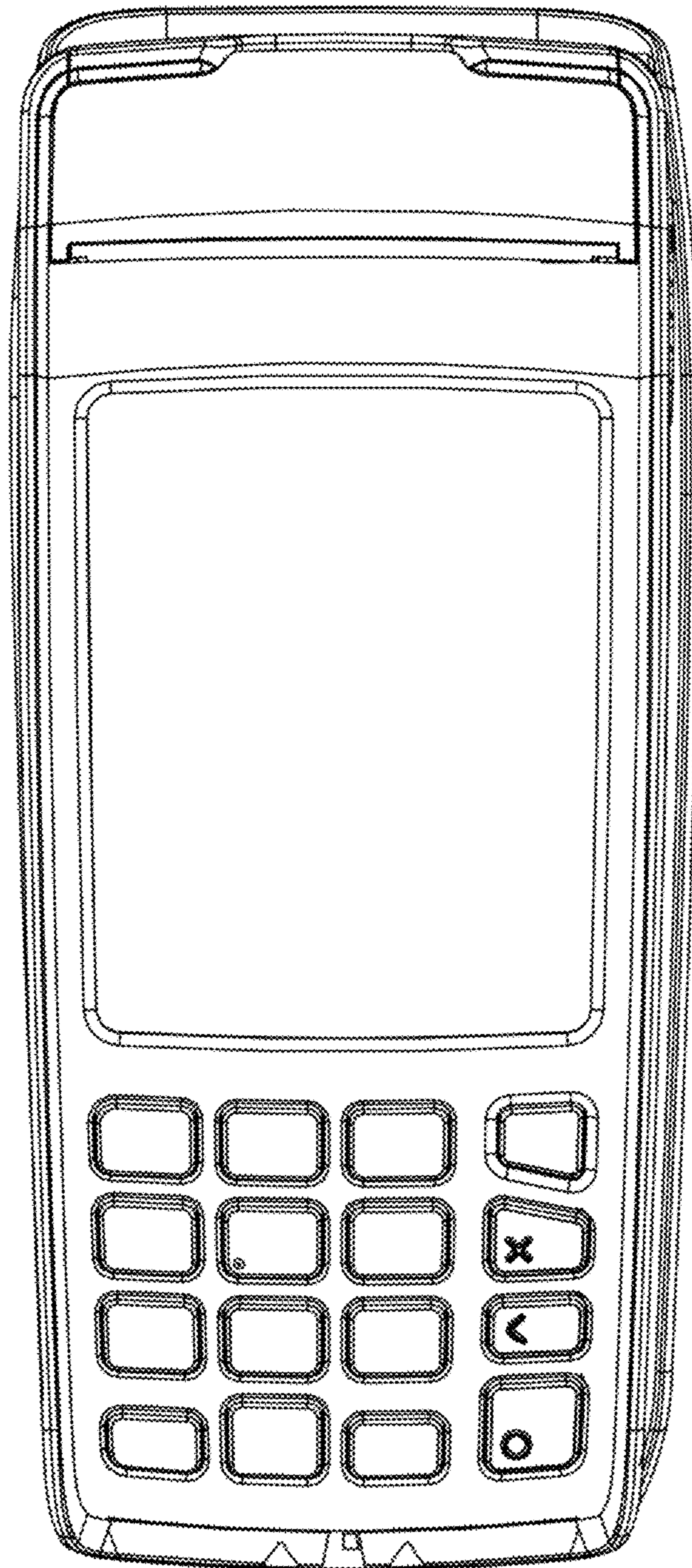


FIG. 2

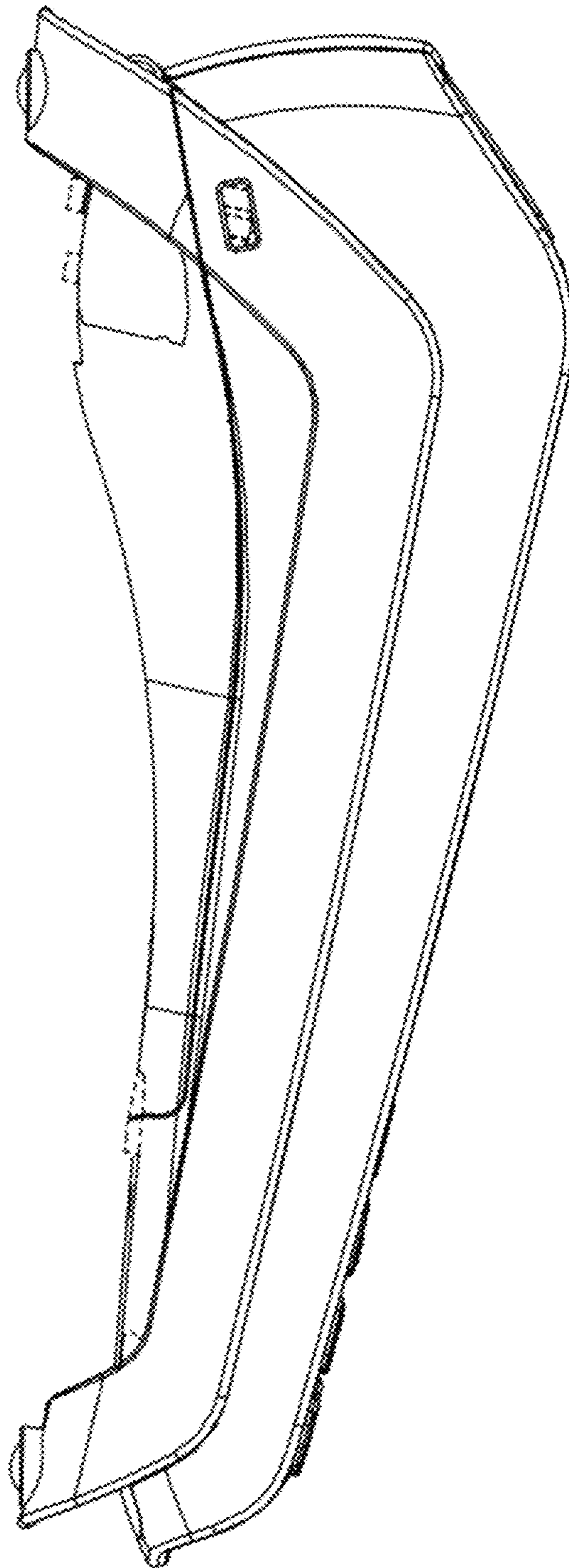


FIG. 3

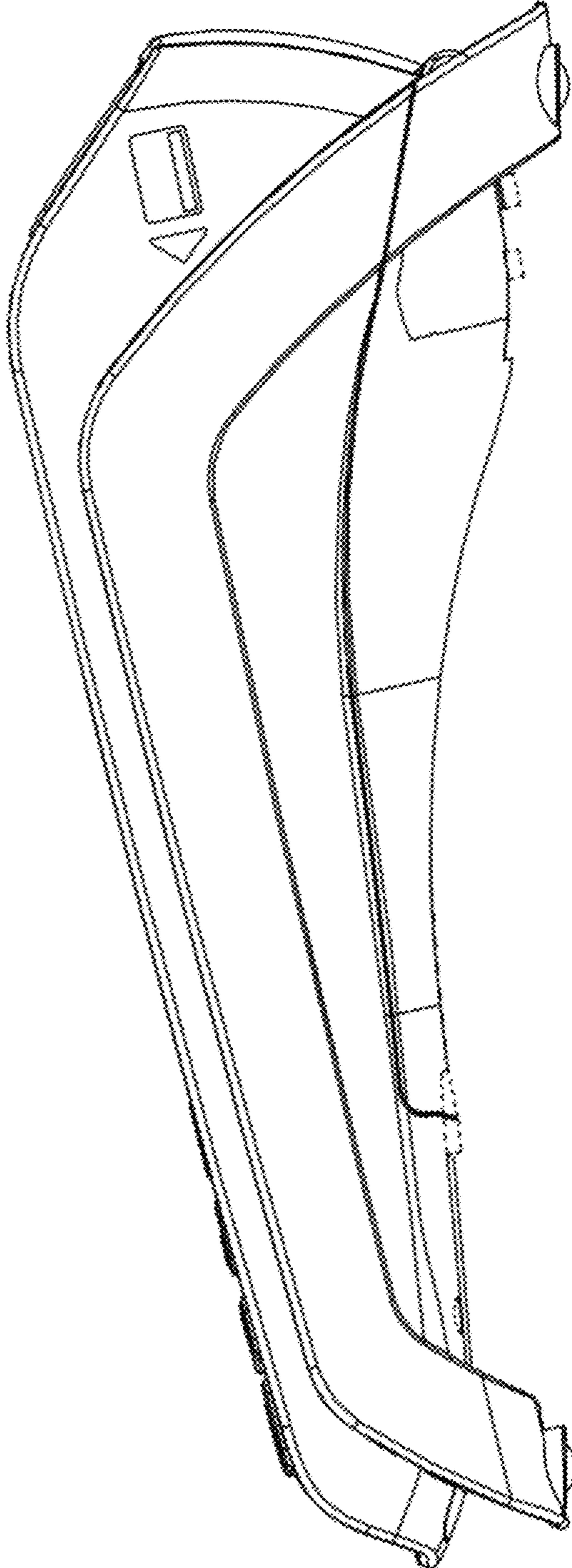


FIG. 4

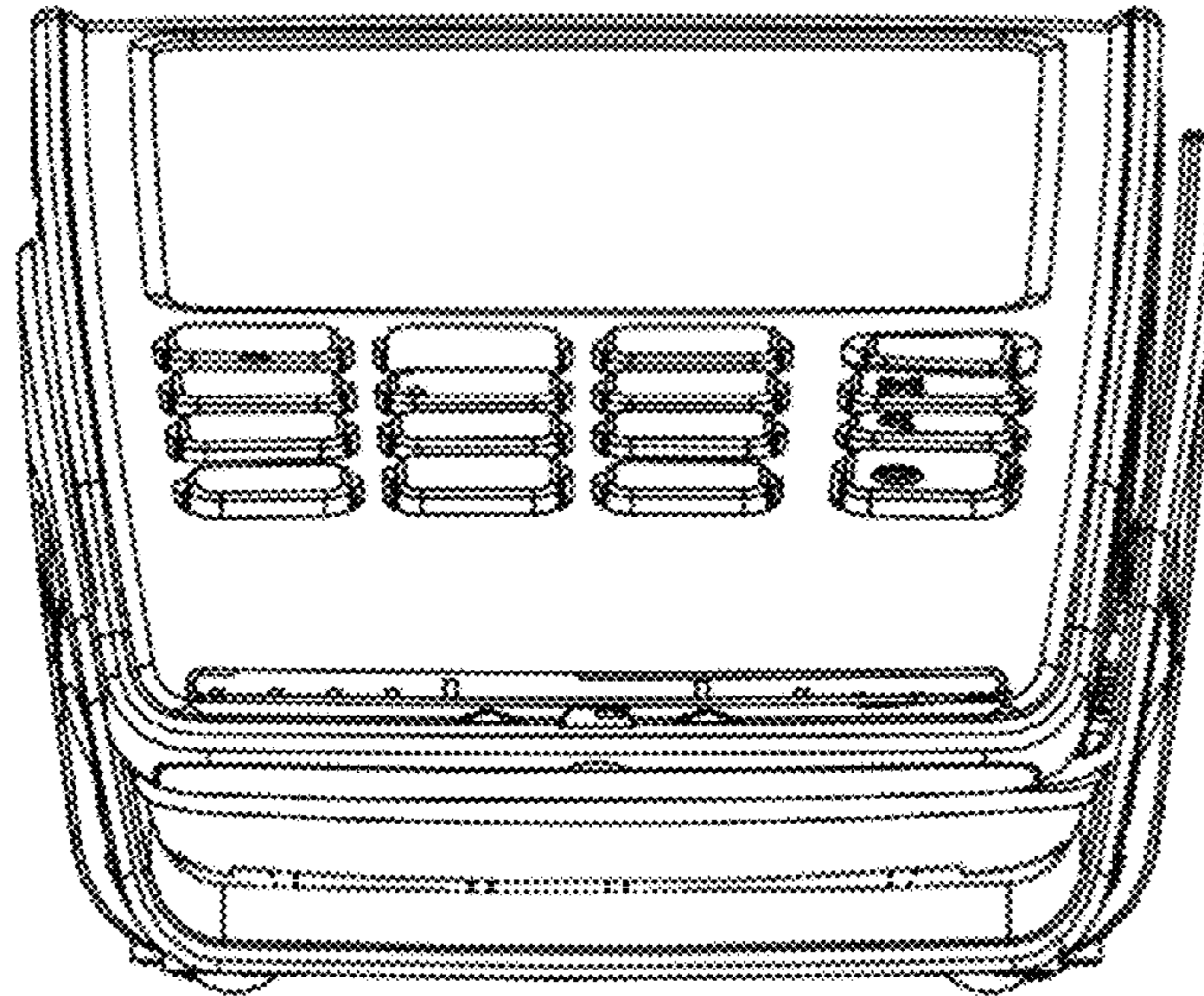


FIG. 5

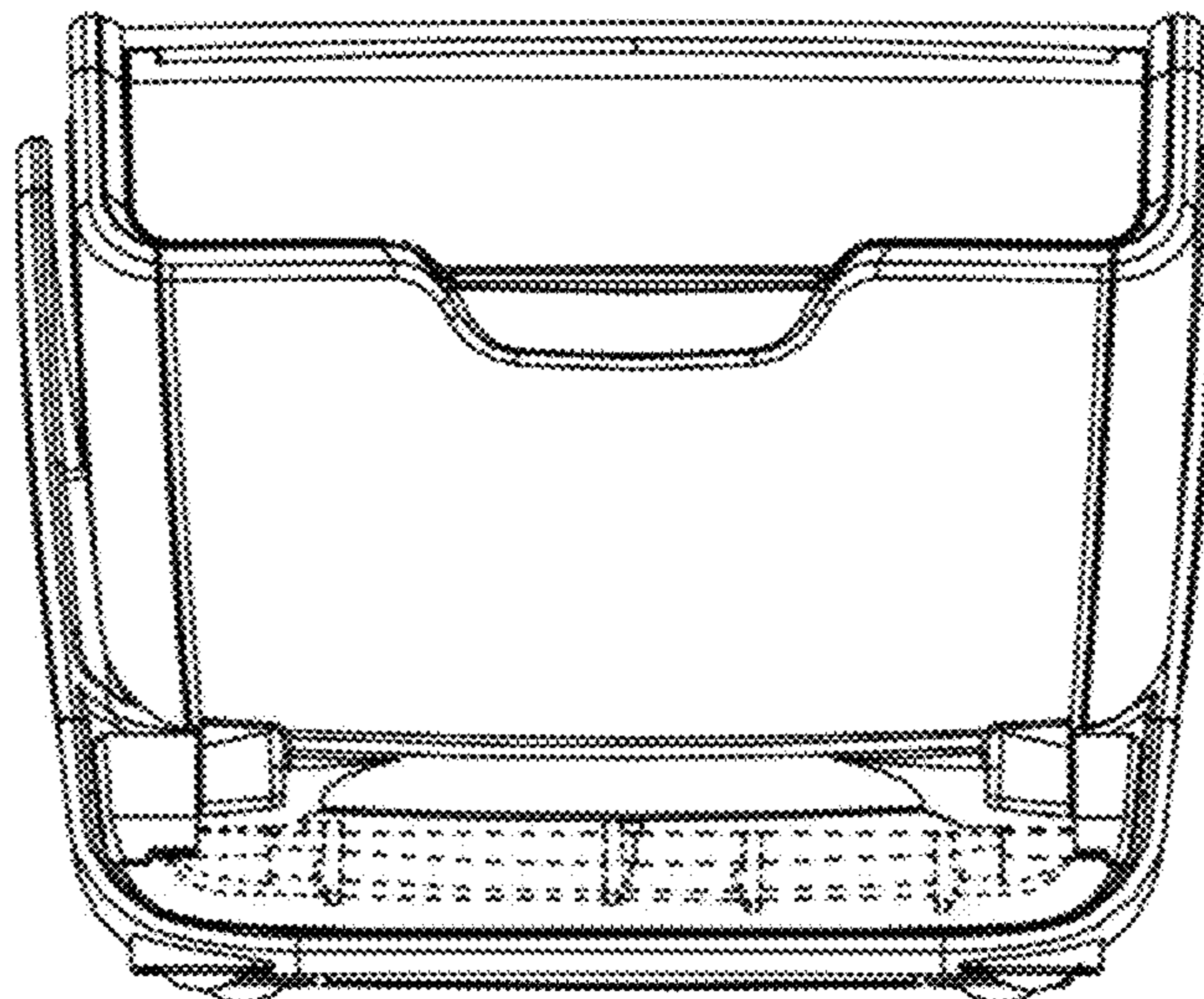


FIG. 6

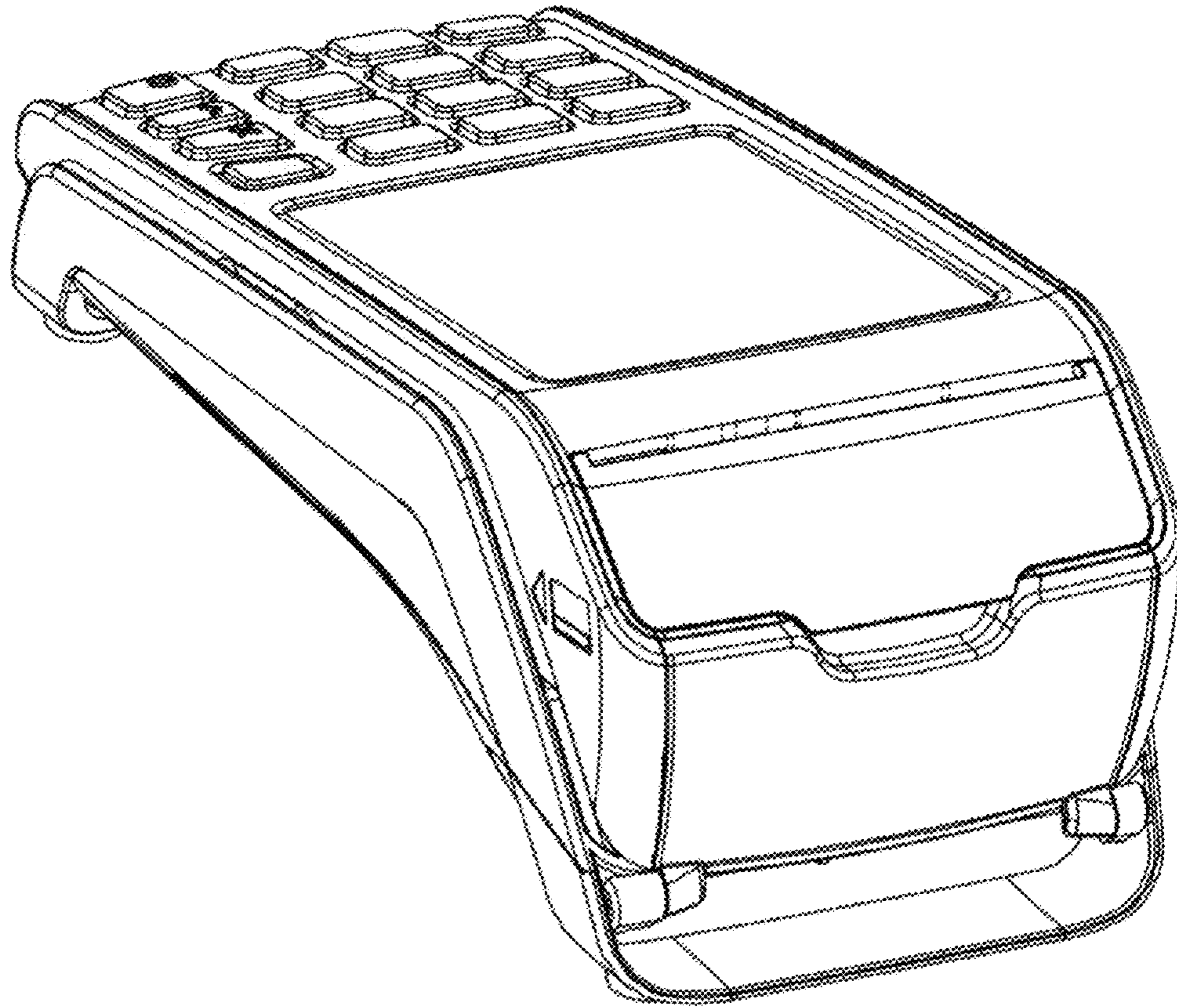


FIG. 7