



US00D768765S

(12) **United States Design Patent** (10) **Patent No.:** **US D768,765 S**
Butera (45) **Date of Patent:** **** Oct. 11, 2016**

(54) **HEADSTOCK FOR AN ELECTRONIC INSTRUMENT**

(71) Applicant: **Artiphon, Inc.**, Nashville, TN (US)

(72) Inventor: **Michael V. Butera**, Nashville, TN (US)

(73) Assignee: **ARTIPHON, INC.**, Nashville, TN (US)

(**) Term: **14 Years**

(21) Appl. No.: **29/518,850**

(22) Filed: **Feb. 27, 2015**

(51) **LOC (10) Cl.** **17-99**

(52) **U.S. Cl.**
USPC **D17/99**

(58) **Field of Classification Search**

USPC D14/218, 248; D17/1, 3, 4, 9, 12, 14,
D17/16, 20, 21, 23, 24, 99; D24/214;
984/100, 101, 107, 157, 158, 300
CPC G10D 1/00; G10D 15/00; G10D 17/00;
G10H 7/00; G10K 15/02

See application file for complete search history.

(56) **References Cited**

U.S. PATENT DOCUMENTS

3,833,751 A *	9/1974	Chapman	G10H 3/18 84/327
D249,182 S *	8/1978	Greer	D17/99
D310,091 S *	8/1990	Tatsumi	D17/14
D351,612 S *	10/1994	Eventoff	D17/1
D363,946 S *	11/1995	Eberlen	D17/14
D410,024 S *	5/1999	Eventoff	D17/14
D439,603 S *	3/2001	Laird	D17/99
D568,377 S *	5/2008	Kim	D17/14
D610,191 S *	2/2010	Lambert	D17/99
D620,043 S *	7/2010	Lambert	D17/99
D668,711 S *	10/2012	Nagels	D17/20
D673,601 S *	1/2013	Evans	D17/14
2013/0174717 A1 *	7/2013	Butera	G10H 1/32 84/609

OTHER PUBLICATIONS

Akai Professional EWI4000S Electronic Wind Controller, posted at Amazon.com, posting date Oct. 31, 2006, © 1996-2015 Amazon.com, [online], [site visited Feb. 1, 2016]. Available from Internet, <URL: <http://www.amazon.com/Akai-Professional-EWI4000S-Electronic-Controller/dp/B000UTIJ00>>.*

(Continued)

Primary Examiner — Susan E Krakower

Assistant Examiner — Lisa A Grabenstetter

(74) *Attorney, Agent, or Firm* — Kelly J. Hollowell; Stites & Harbison PLLC

(57) **CLAIM**

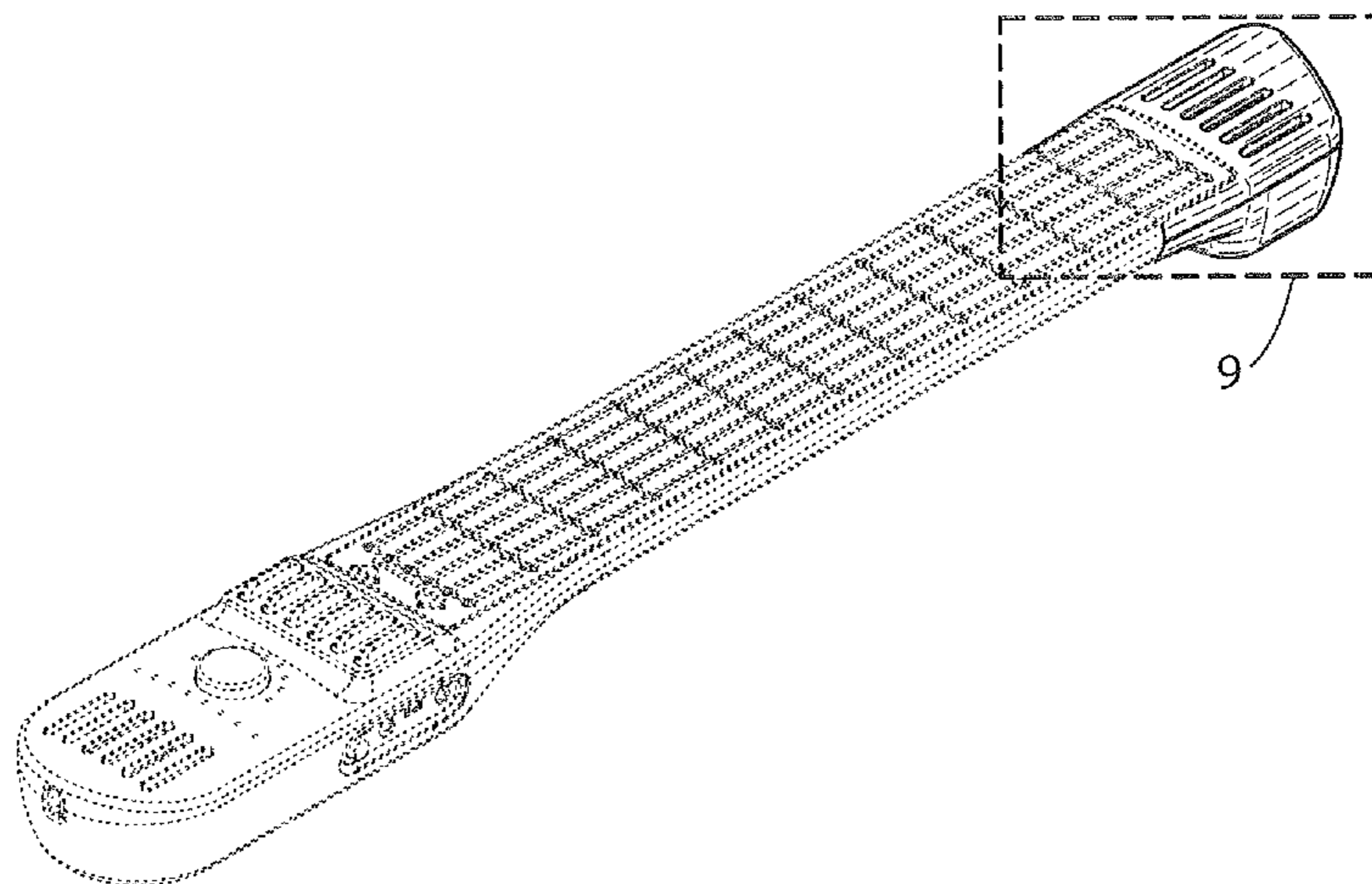
The ornamental design for a headstock for an electronic instrument, as shown and described.

DESCRIPTION

FIG. 1 is a front, left side perspective view of a headstock for an electronic instrument showing my new design; FIG. 2 is a back, right side perspective view thereof; FIG. 3 is a left side view thereof; FIG. 4 is a front view thereof; FIG. 5 is a right side view thereof; FIG. 6 is a back view thereof; FIG. 7 is a top plan view thereof; FIG. 8 is a bottom plan view thereof; and, FIG. 9 is a partially enlarged front, left side perspective view thereof, taken from FIG. 1.

The lightweight broken lines show unclaimed subject matter only and form no part of the claimed design. The heavy-weight broken line squares that appear in FIGS. 1 and 9 are included for the purpose of showing partially enlarged views only and form no part of the claimed design.

1 Claim, 4 Drawing Sheets



(56)

References Cited

[online], [site visited Feb. 1, 2016]. Available from Internet, <URL:
<http://www.examiner.com/article/eigenharp-a-new-musical-instrument-for-the-digital-age>>.*

OTHER PUBLICATIONS

Eigenharp, a new musical instrument for the digital age., posted at Examiner.com, posting date Jan. 31, 2010, © Examiner.com,

* cited by examiner

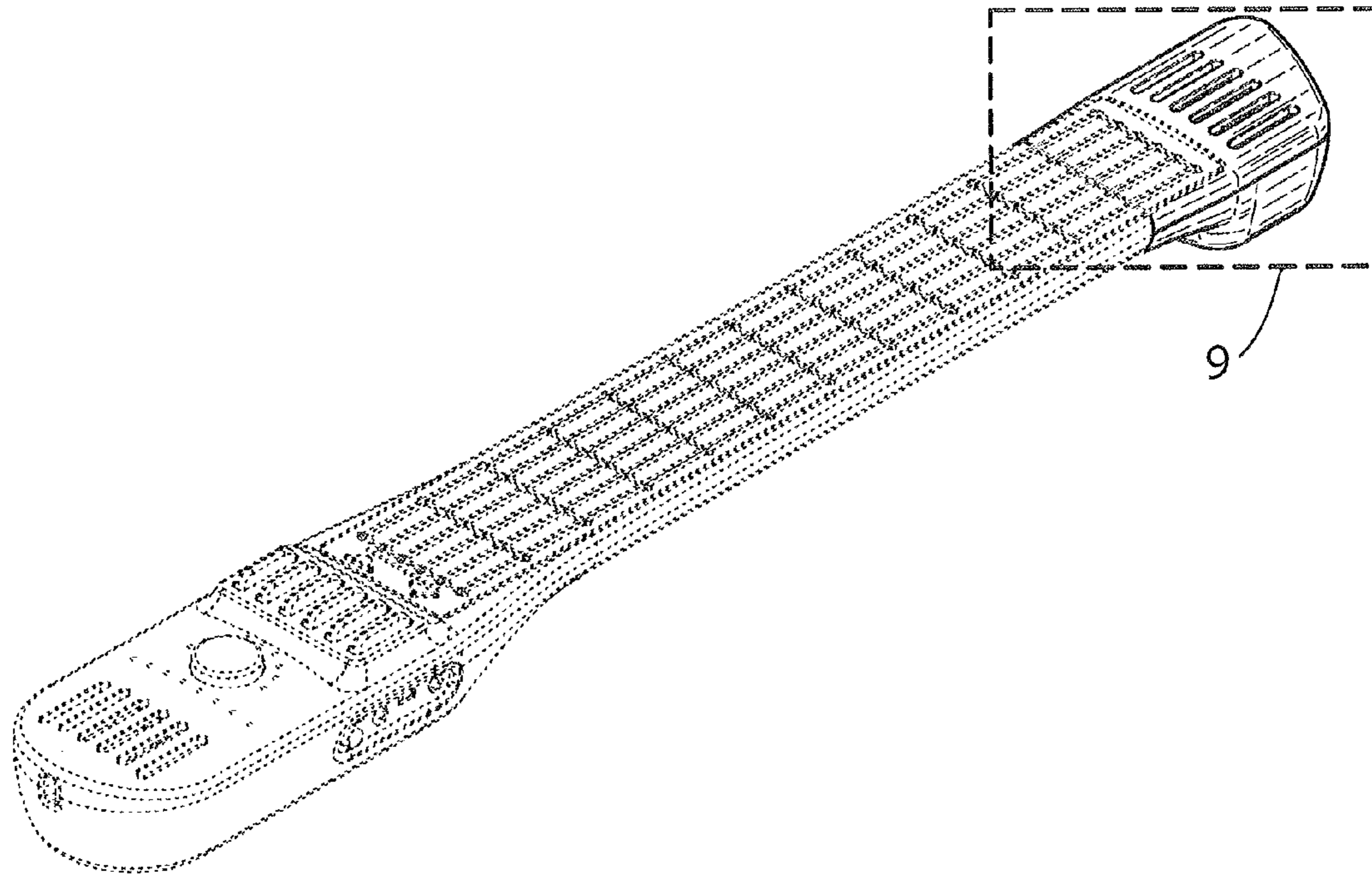


FIG. 1

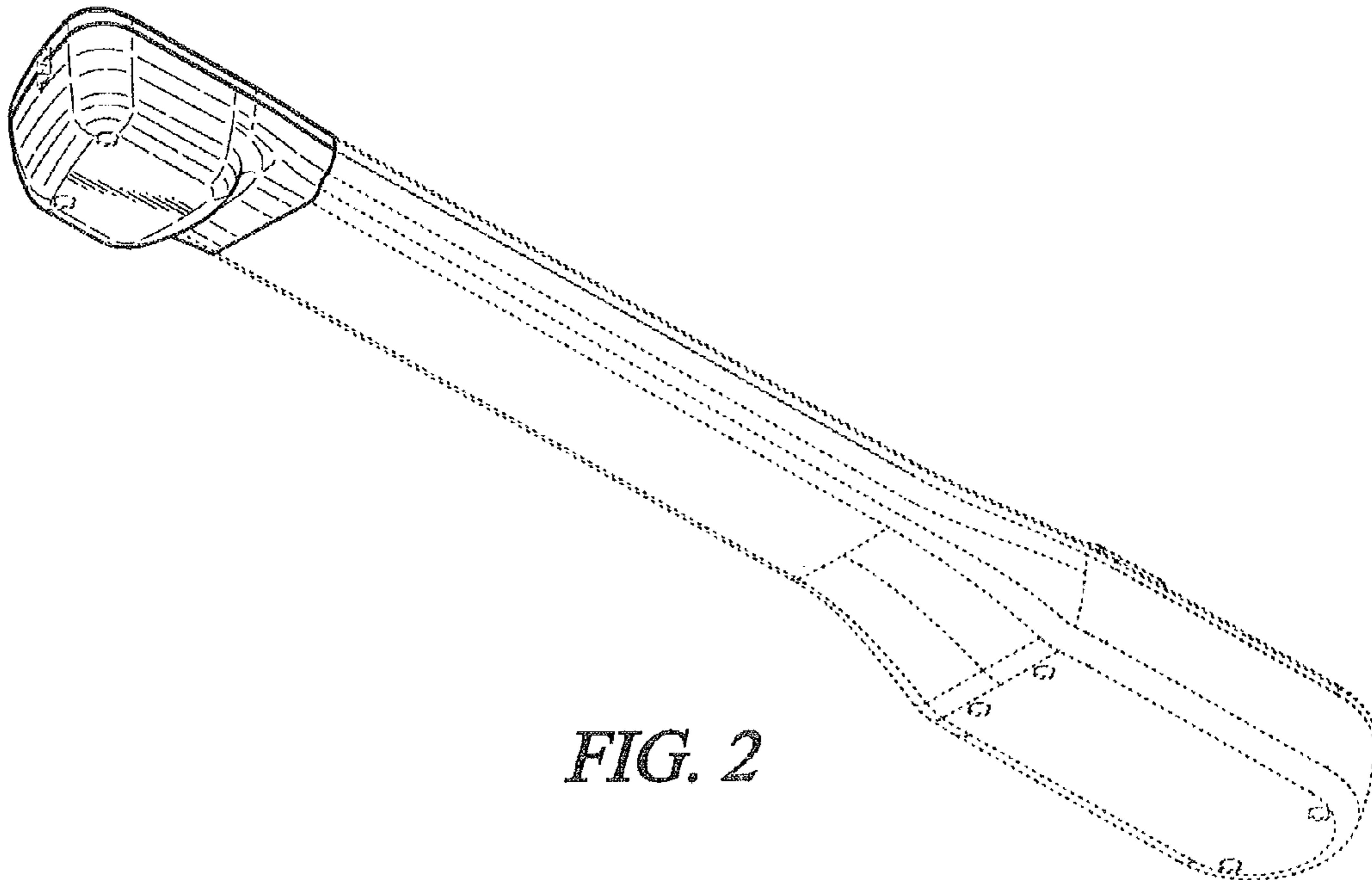


FIG. 2

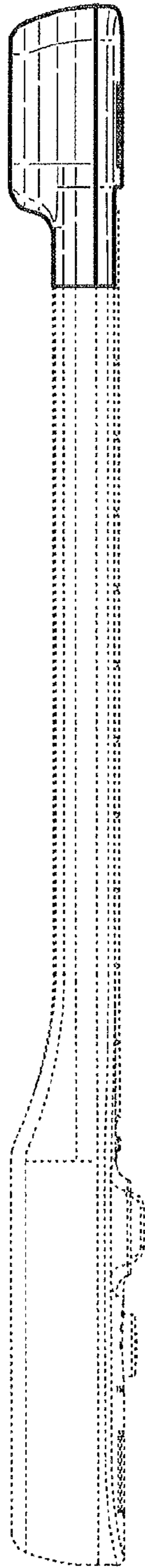


FIG. 3

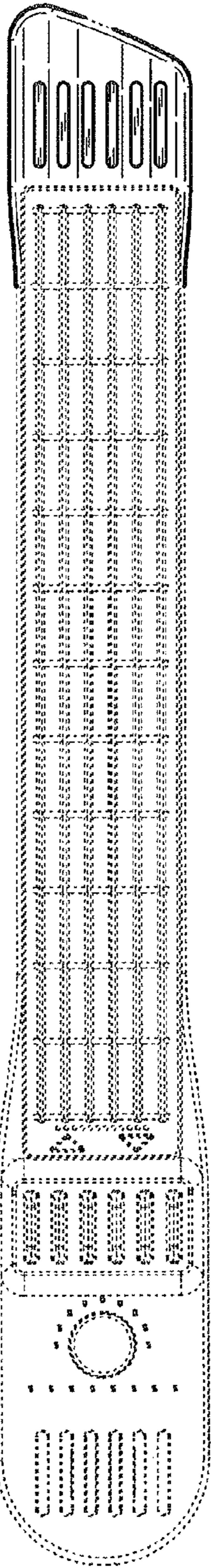


FIG. 4

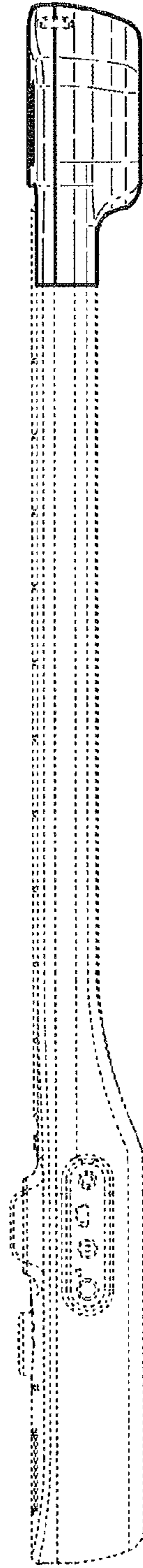


FIG. 5

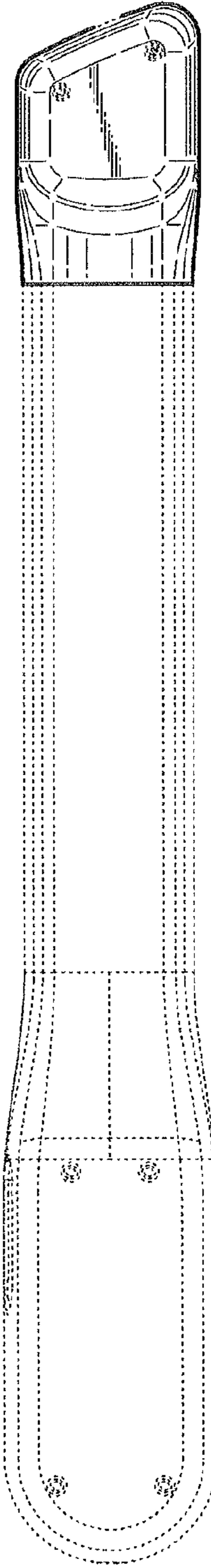


FIG. 6

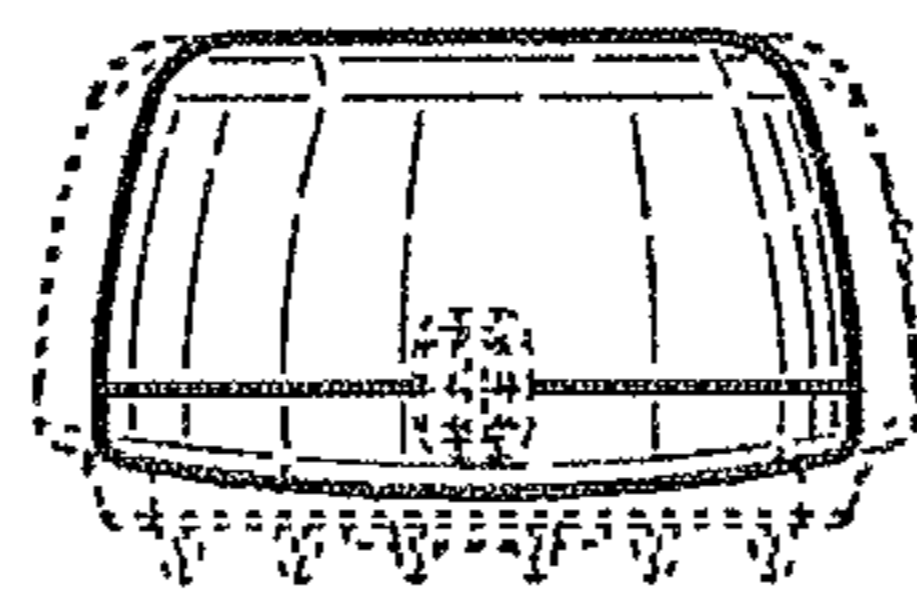


FIG. 7

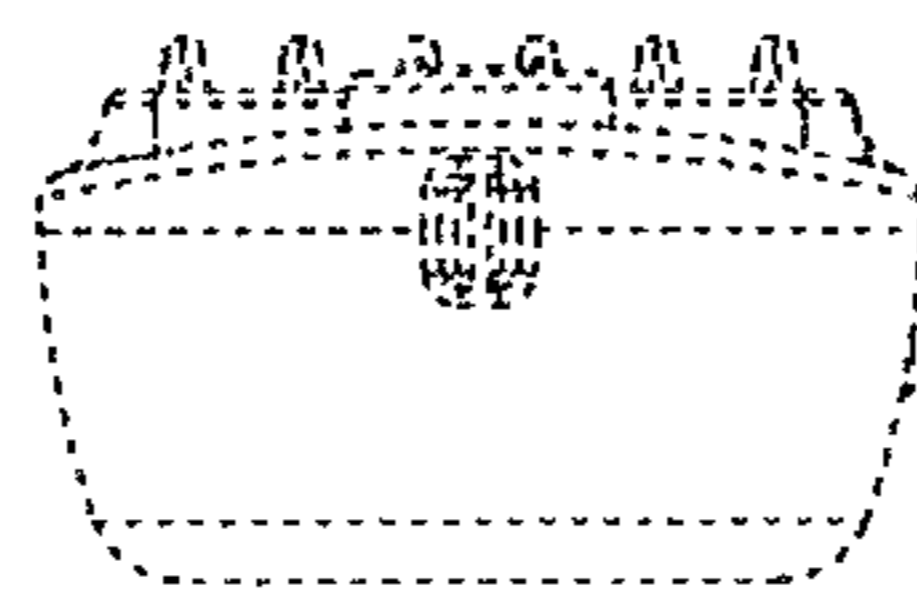


FIG. 8

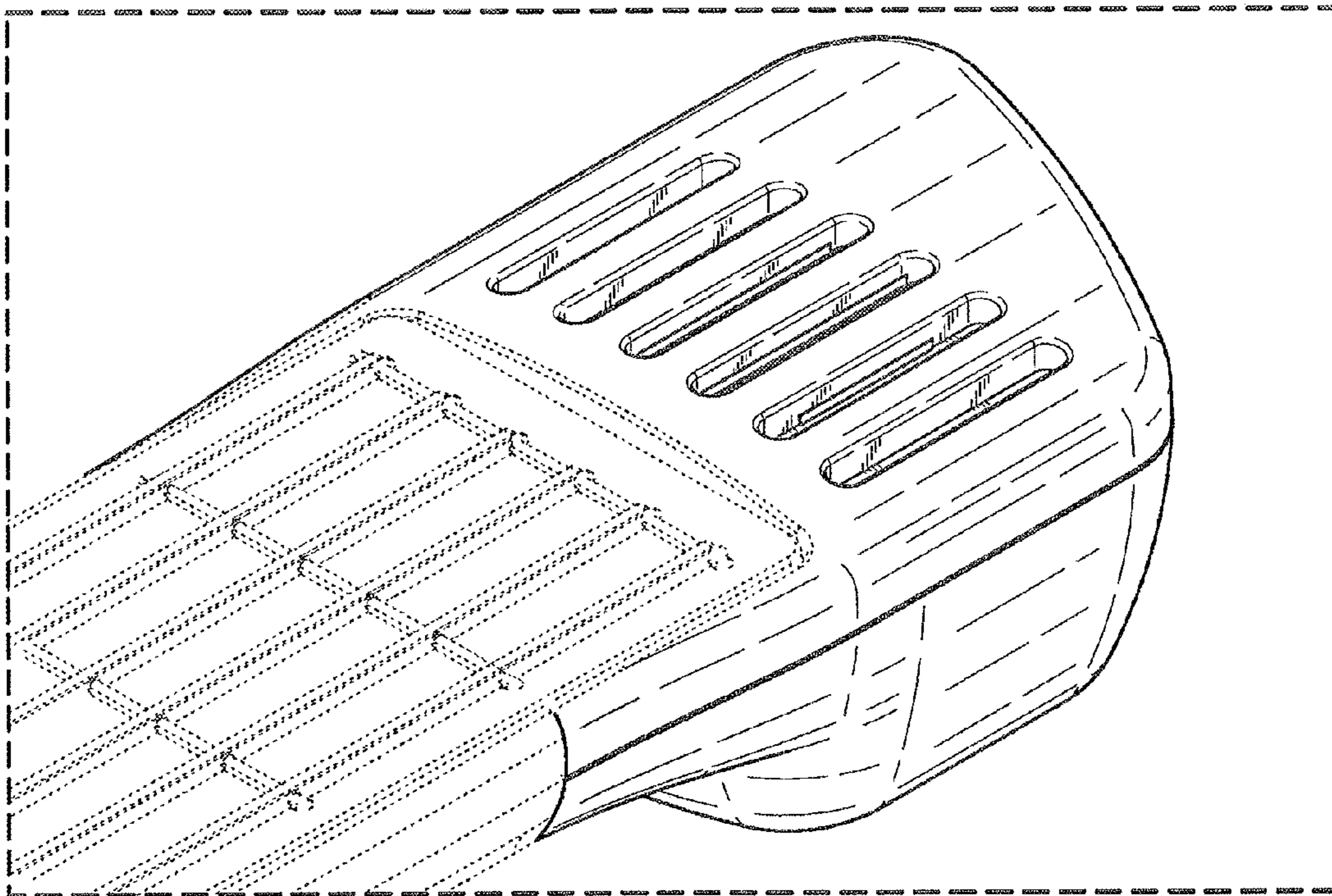


FIG. 9