



US00D768757S

(12) **United States Design Patent**
Thomas et al.

(10) **Patent No.: US D768,757 S**
(45) **Date of Patent: ** Oct. 11, 2016**

(54) **CAMERA MOUNT**

- (71) Applicant: **GoPro, Inc.**, San Mateo, CA (US)
- (72) Inventors: **Matthew D. Thomas**, Castro Valley, CA (US); **John George Muhlenkamp, IV**, Brisbane, CA (US); **Eric McCallister Bennett**, Foster City, CA (US)
- (73) Assignee: **GoPro, Inc.**, San Mateo, CA (US)
- (**) Term: **15 Years**
- (21) Appl. No.: **29/532,008**
- (22) Filed: **Jun. 30, 2015**
- (51) **LOC (10) Cl.** **16-05**
- (52) **U.S. Cl.**
USPC **D16/243**
- (58) **Field of Classification Search**
USPC D16/206, 219, 235, 237-245, 250;
D14/251, 253; D8/107, 303, 354, 355,
D8/356, 363, 367, 373, 380, 383, 387, 394,
D8/396; D29/101.1-101.3
CPC G03B 17/56; G03B 17/561-17/568;
G02B 7/00-7/002; H04N 5/2253-5/2254;
F16M 11/04-11/12
See application file for complete search history.

(56) **References Cited**

U.S. PATENT DOCUMENTS

3,152,738	A *	10/1964	Worsfold, Jr.	A45F 5/00 224/259
D435,168	S *	12/2000	Momburg	D3/215
7,059,503	B2 *	6/2006	Andersen	A45F 3/14 224/578
D569,306	S *	5/2008	Taylor	D11/200
D683,384	S *	5/2013	Swaggart	D16/243
9,066,507	B2 *	6/2015	Silverman	A45F 5/00
9,244,337	B2 *	1/2016	Weihe	G03B 17/561
D757,844	S *	5/2016	Swaggart	D16/237
2014/0140686	A1	5/2014	Weihe		

OTHER PUBLICATIONS

GoPro, Inc., "Chesty (Chest Harness)" 2014, 2 Pages, [online][Archived on web.archive.org on Mar. 29, 2014][Retrieved on Aug. 31, 2015] Retrieved from the internet <URL:https://web.archive.org/web/20140329112253/http://gopro.com/camera-mounts/chest-mount-harness>.

GoPro, Inc., "Junior Chesty (Chest Harness)" 2014, 3 Pages, [online][Archived on web.archive.org on Mar. 29, 2014][Retrieved on Aug. 31, 2015] Retrieved from the internet <URL:https://web.archive.org/web/20140329112353/http://gopro.com/camera-mounts/junior-chesty-chest-mount-harness>.

* cited by examiner

Primary Examiner — Vy Koenig

(74) *Attorney, Agent, or Firm* — Fenwick & West LLP

(57) **CLAIM**

The ornamental design for a camera mount, as shown and described.

DESCRIPTION

FIG. 1 is a front and bottom side perspective view of a camera mount;

FIG. 2 is a rear and top side perspective view thereof;

FIG. 3 is a top plan view thereof;

FIG. 4 is a bottom plan view thereof;

FIG. 5 is a top and front perspective view of the base plate portion of the camera mount, shown separately for ease of illustration;

FIG. 6 is a bottom and rear perspective view thereof;

FIG. 7 is a top plan view thereof;

FIG. 8 is a bottom plan view thereof;

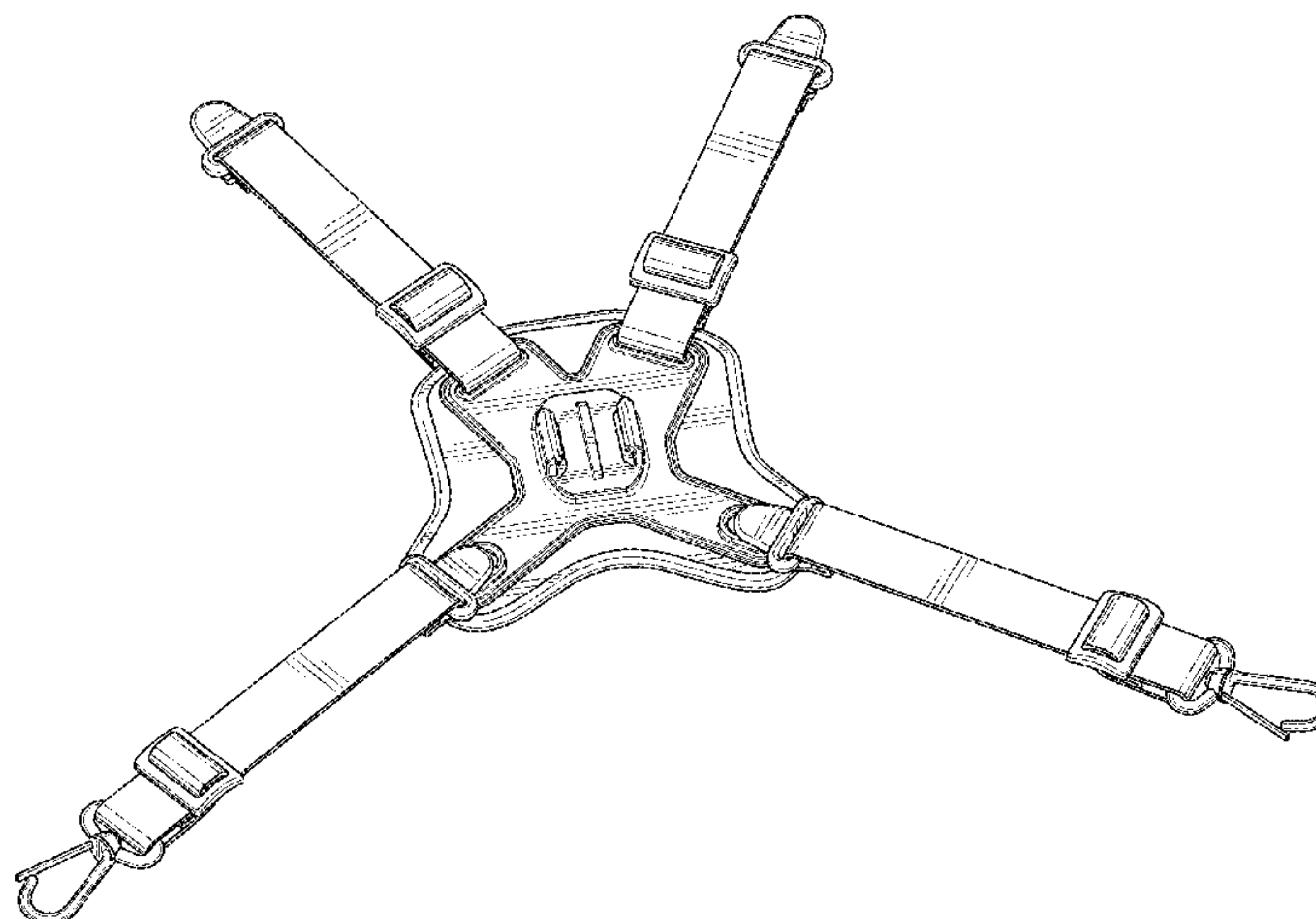
FIG. 9 is a front elevational view thereof;

FIG. 10 is a rear elevational view thereof;

FIG. 11 is a right side elevational view thereof; and,

FIG. 12 is a left side elevational view thereof.

1 Claim, 12 Drawing Sheets



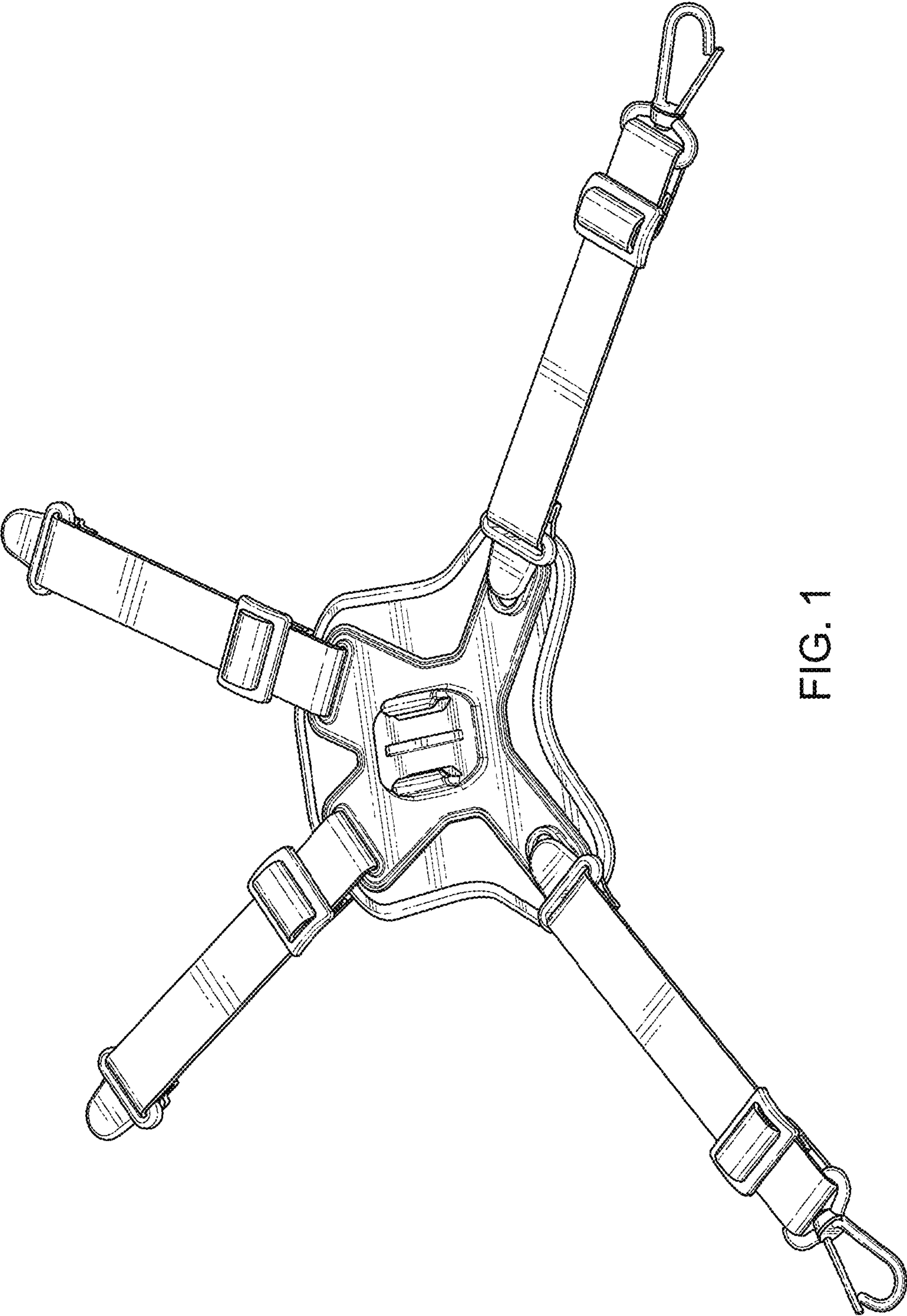


FIG. 1

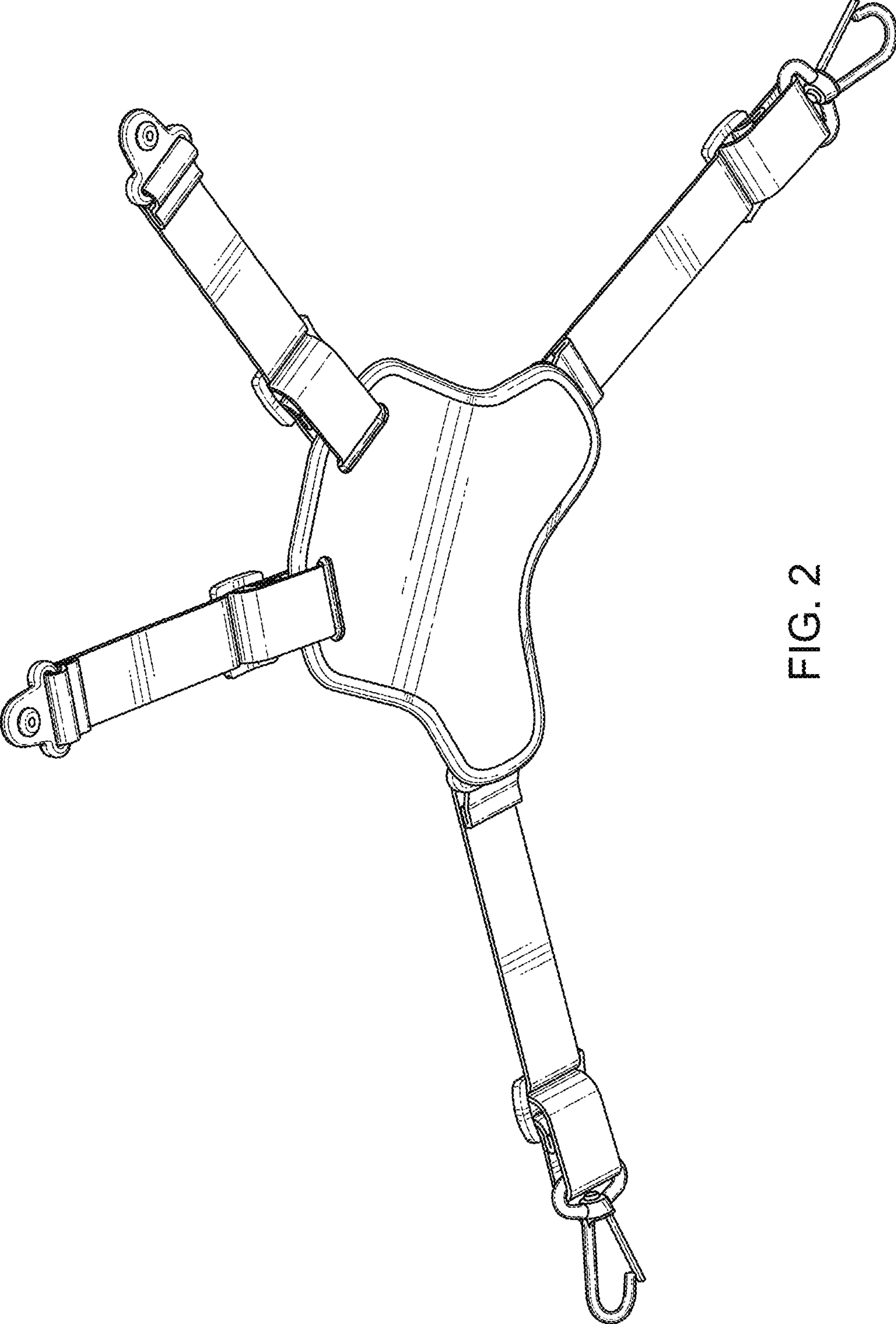


FIG. 2

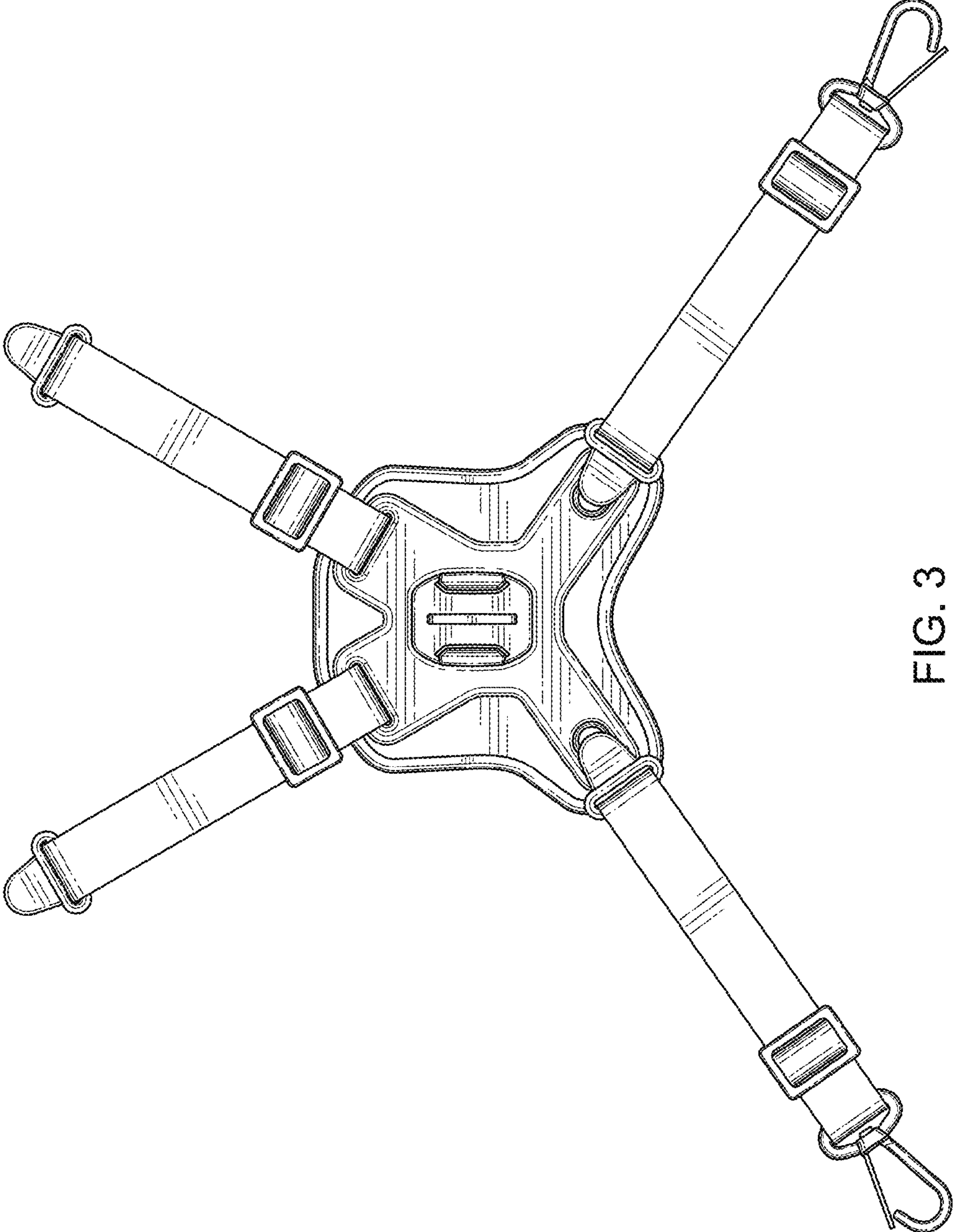


FIG. 3

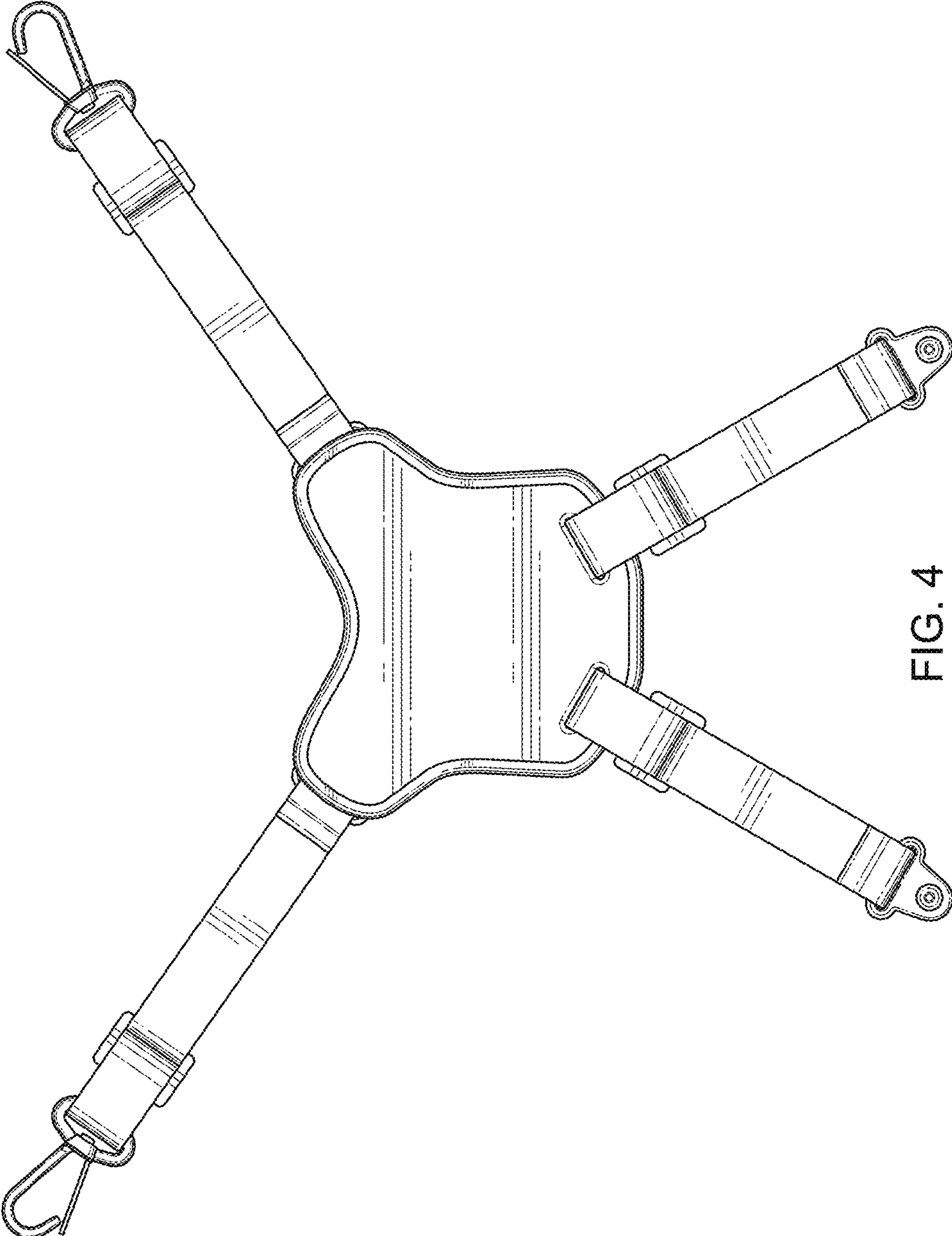


FIG. 4

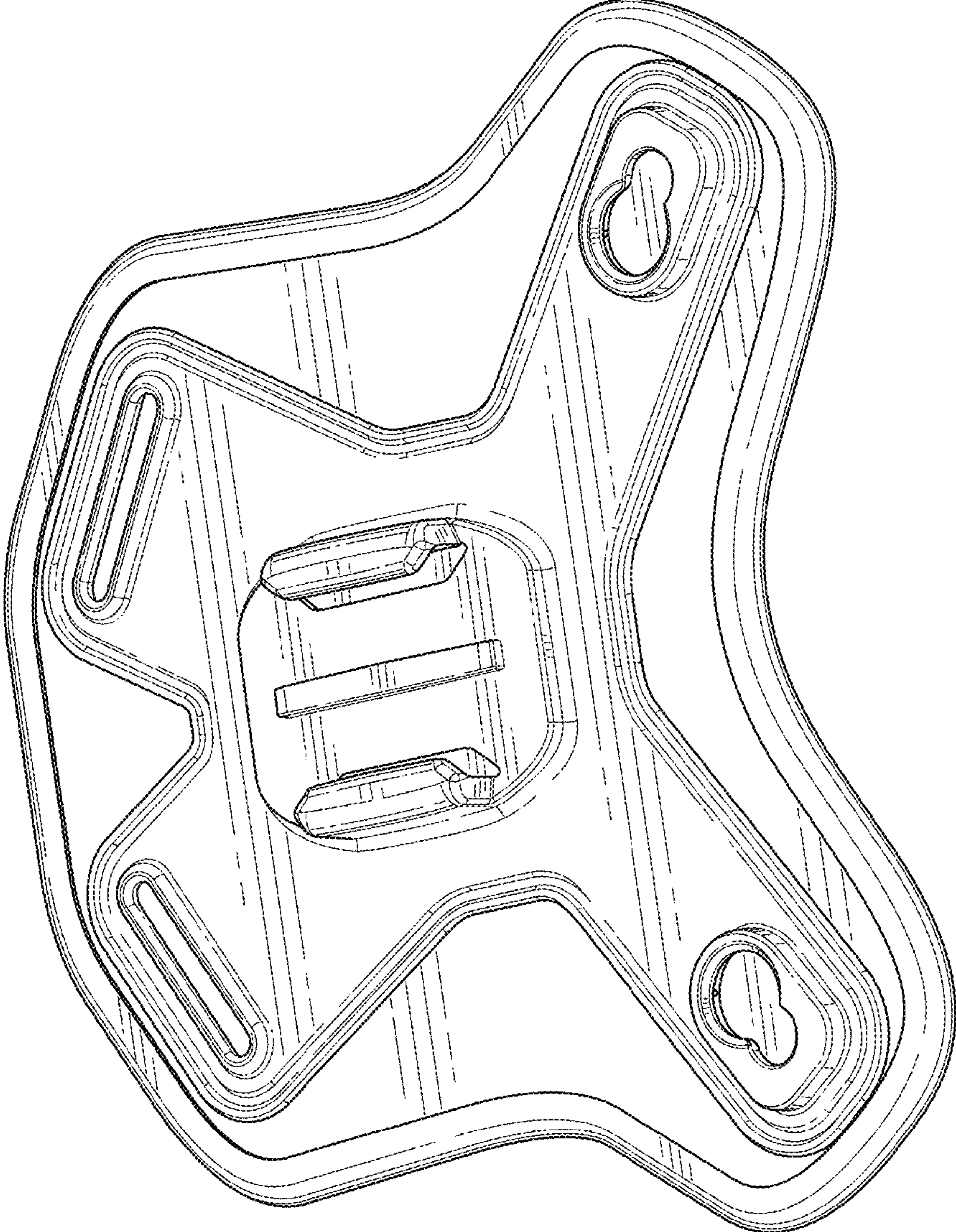


FIG. 5

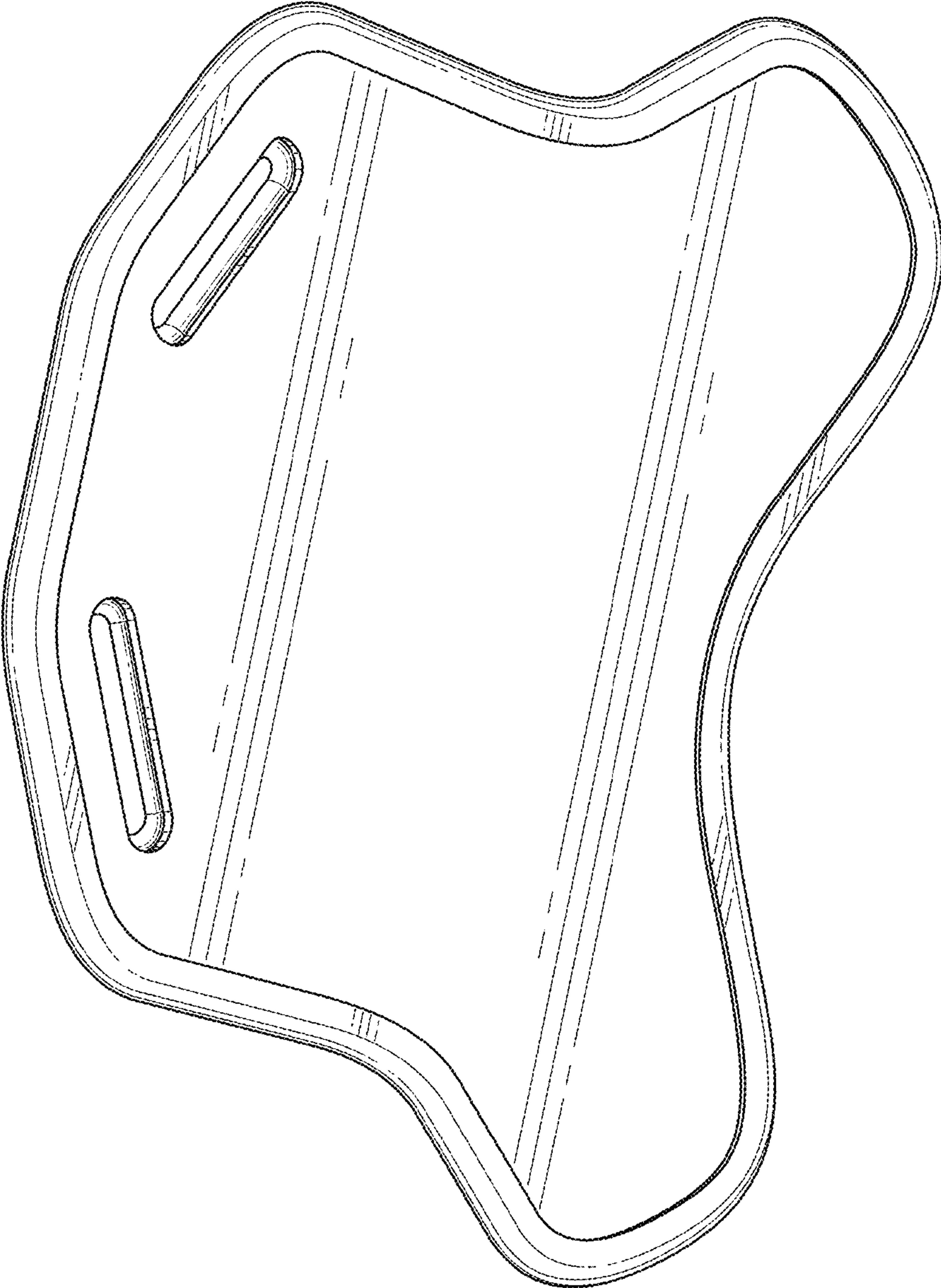


FIG. 6

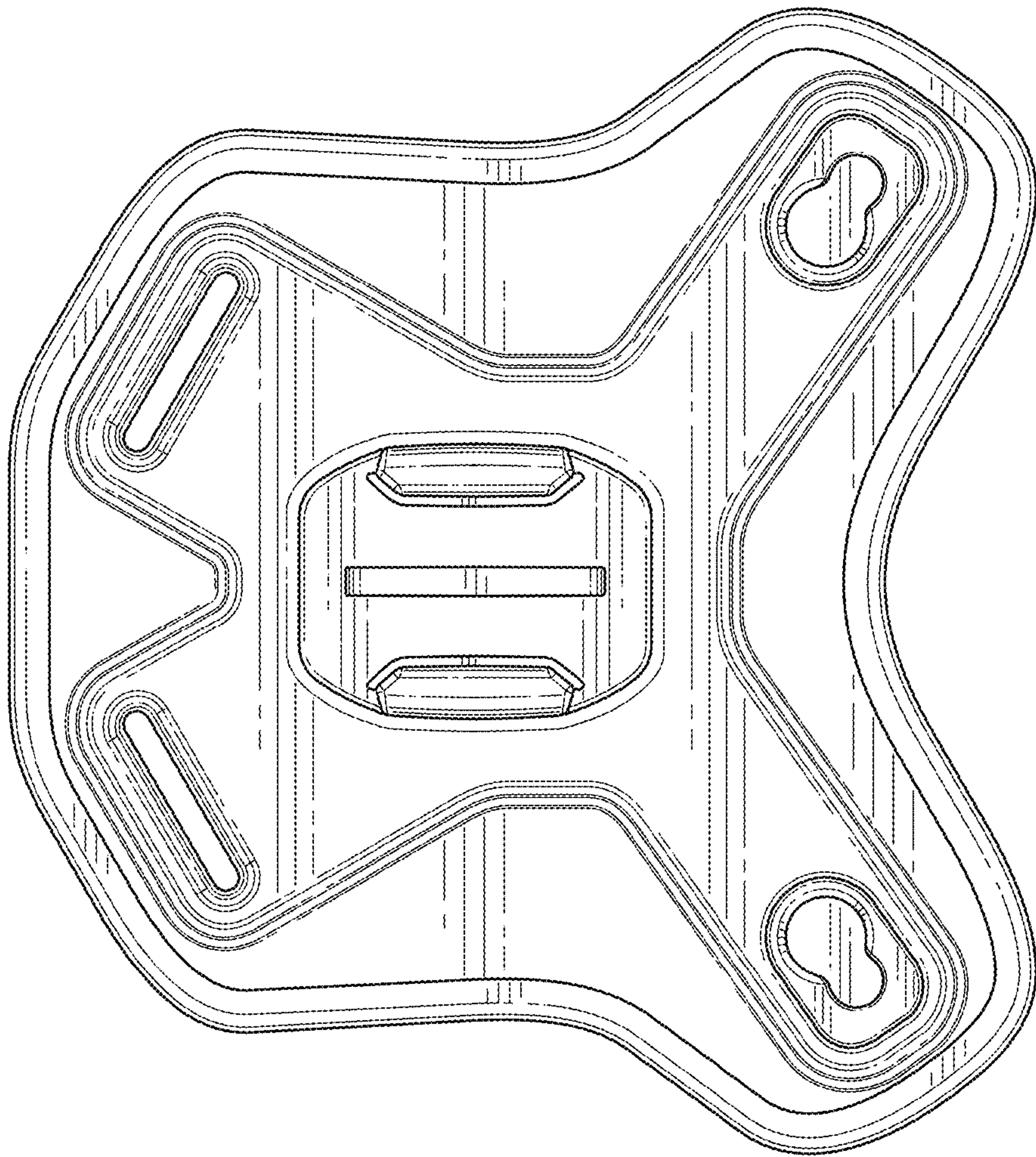


FIG. 7

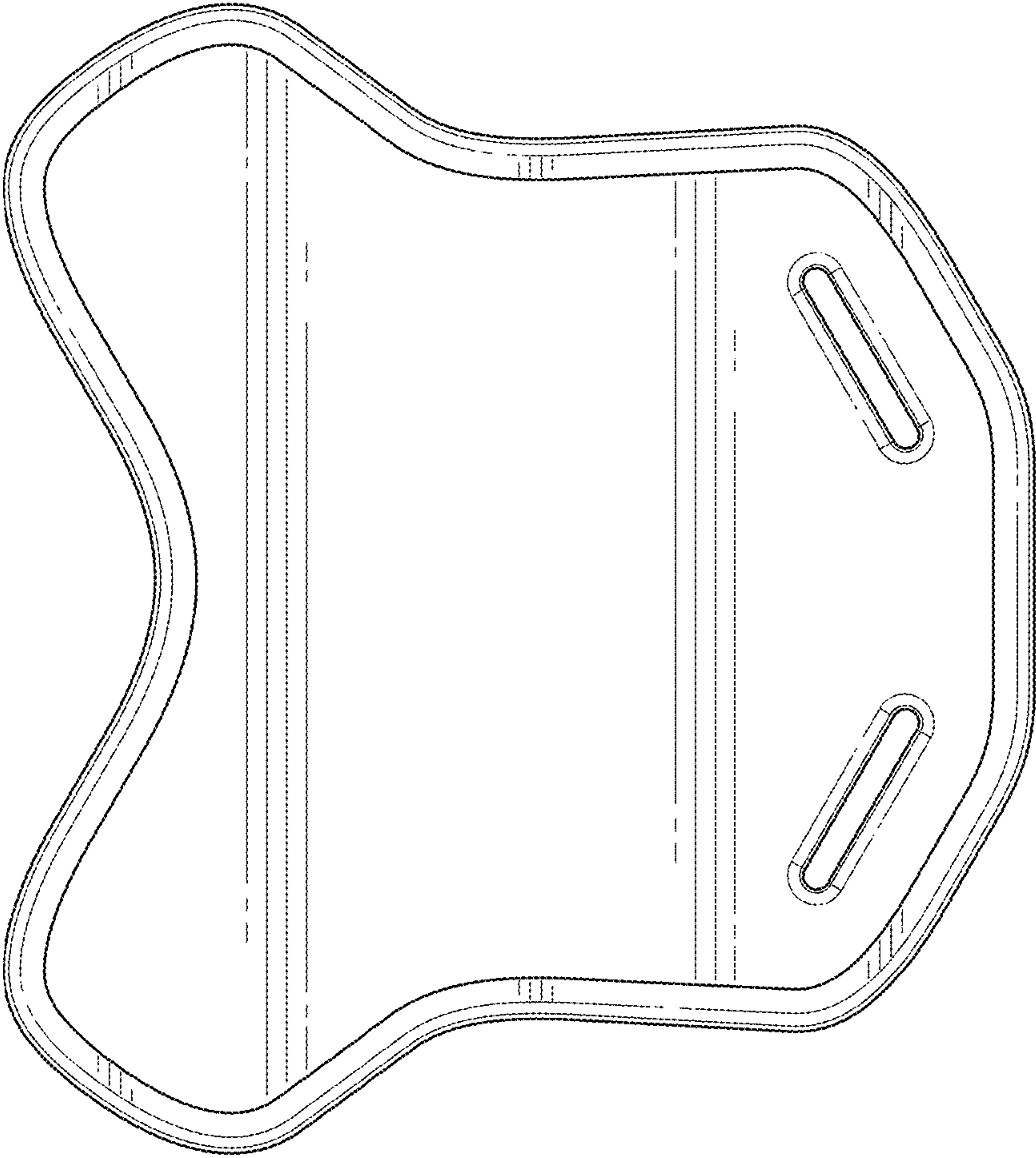


FIG. 8

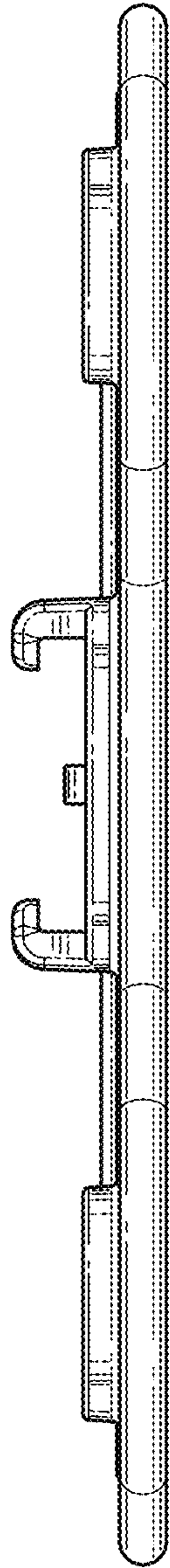


FIG. 9

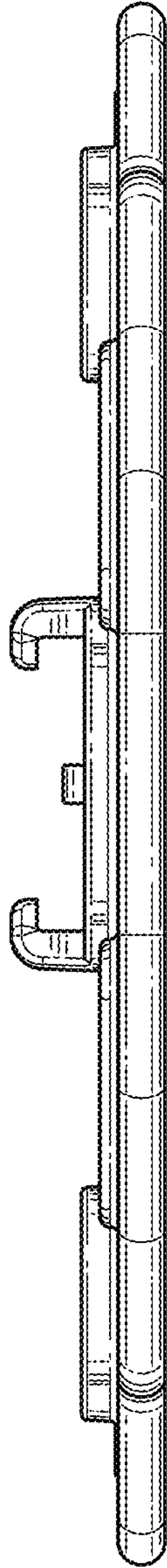


FIG. 10

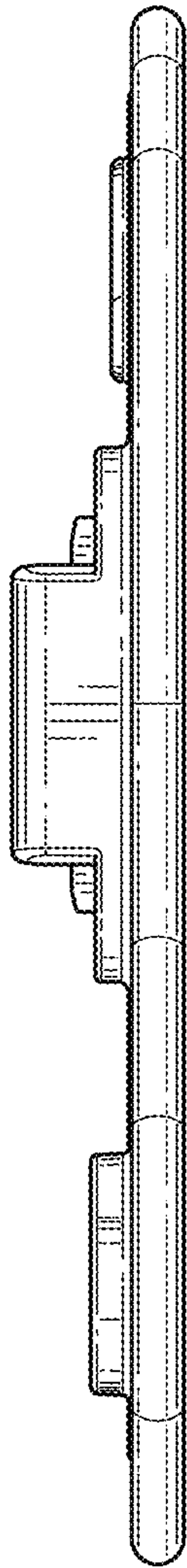


FIG. 11

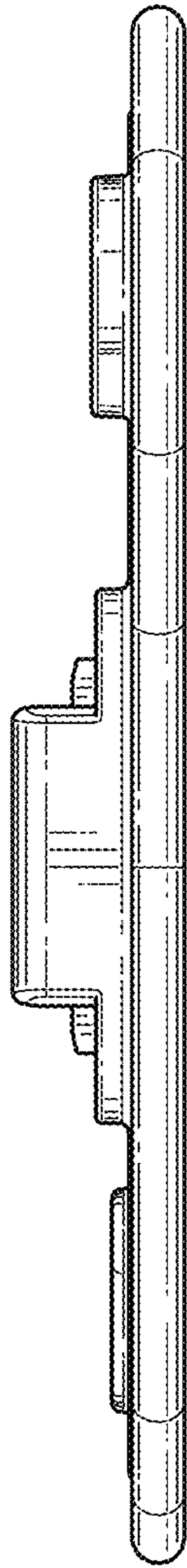


FIG. 12