



US00D768756S

(12) **United States Design Patent**
Miyashita et al.

(10) **Patent No.:** **US D768,756 S**

(45) **Date of Patent:** **** Oct. 11, 2016**

(54) **CAMERA MOUNT**

(71) Applicant: **GoPro, Inc.**, San Mateo, CA (US)

(72) Inventors: **Yusuke Miyashita**, San Mateo, CA (US); **Ryan Harrison**, El Granada, CA (US); **Peter Bradford Aumann**, San Luis Obispo, CA (US)

(73) Assignee: **GoPro, Inc.**, San Mateo, CA (US)

(**) Term: **15 Years**

(21) Appl. No.: **29/532,257**

(22) Filed: **Jul. 2, 2015**

(51) **LOC (10) Cl.** **16-05**

(52) **U.S. Cl.**
USPC **D16/242**

(58) **Field of Classification Search**
USPC D16/206, 219, 235, 237-245, 250;
D14/251, 253; D8/107, 303, 354, 355,
D8/356, 363, 367, 373, 380, 383, 387, 394,
D8/396
CPC G03B 17/56; G03B 17/561-17/568;
G02B 7/00-7/002; H04N 5/2253-5/2254;
F16M 11/04-11/12
See application file for complete search history.

(56) **References Cited**

U.S. PATENT DOCUMENTS

D265,657 S * 8/1982 Lovell D16/237
D427,504 S * 7/2000 Dziejcz D8/356

D464,251 S * 10/2002 Wells D8/356
D535,676 S * 1/2007 Dayan D16/208
D616,727 S * 6/2010 Chou D8/354
D638,009 S * 5/2011 Huang D14/253
D639,837 S * 6/2011 Stirnemann D15/199
D640,306 S * 6/2011 Hashiguchi D16/242
D734,654 S * 7/2015 Geiger D8/354
D739,711 S * 9/2015 Thompson D8/356

* cited by examiner

Primary Examiner — Vy Koenig

(74) *Attorney, Agent, or Firm* — Fenwick & West LLP

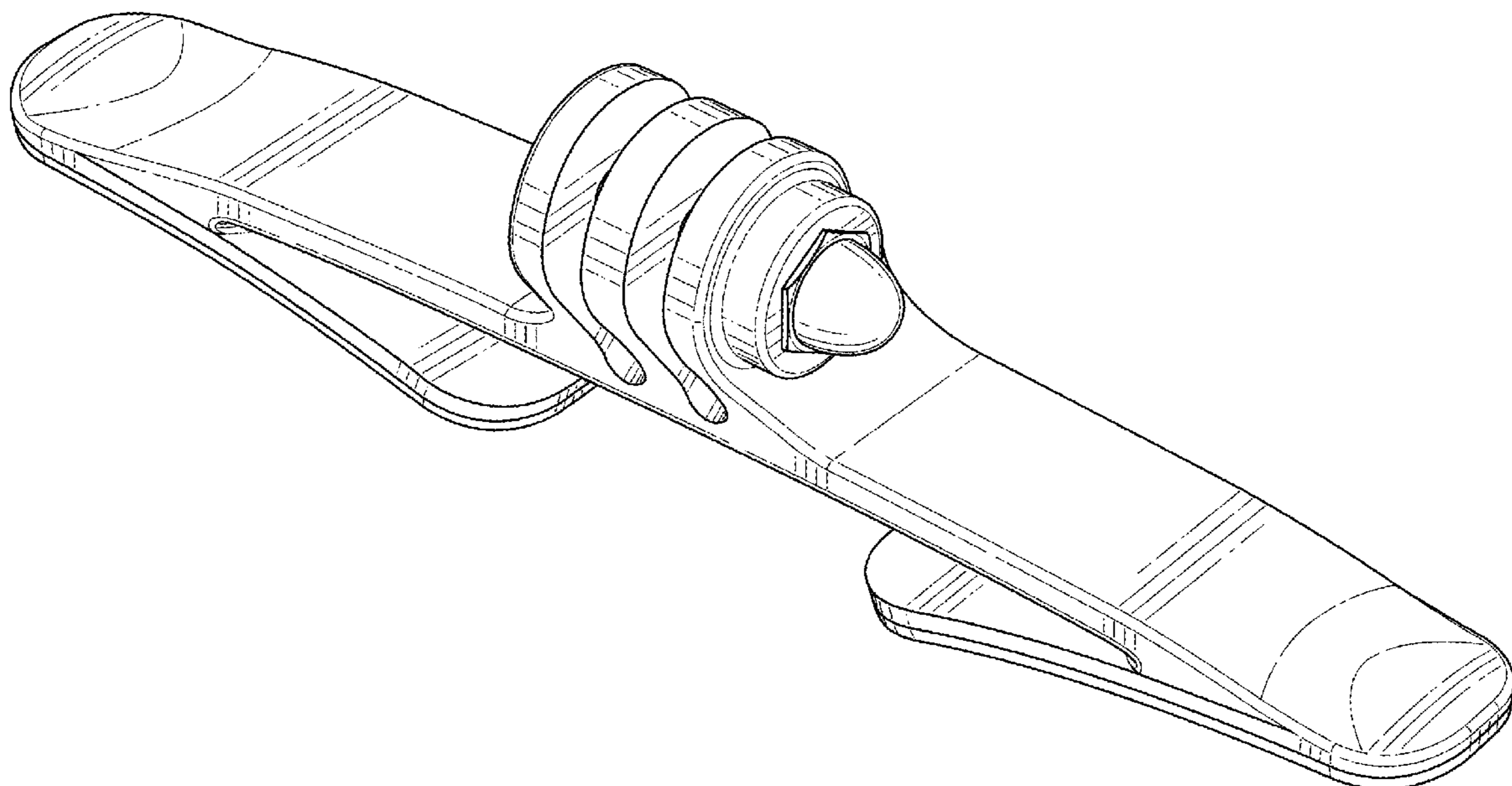
(57) **CLAIM**

The ornamental design for a camera mount, as shown and described.

DESCRIPTION

FIG. 1 is a front, top, and right side perspective view of a camera mount showing our new design;
FIG. 2 is a rear, bottom, and left side perspective view thereof;
FIG. 3 is a front elevational view thereof;
FIG. 4 is a rear elevational view thereof;
FIG. 5 is a left side elevational view thereof;
FIG. 6 is a right side elevational view thereof;
FIG. 7 is a top plan view thereof; and,
FIG. 8 is a bottom plan view thereof.

1 Claim, 8 Drawing Sheets



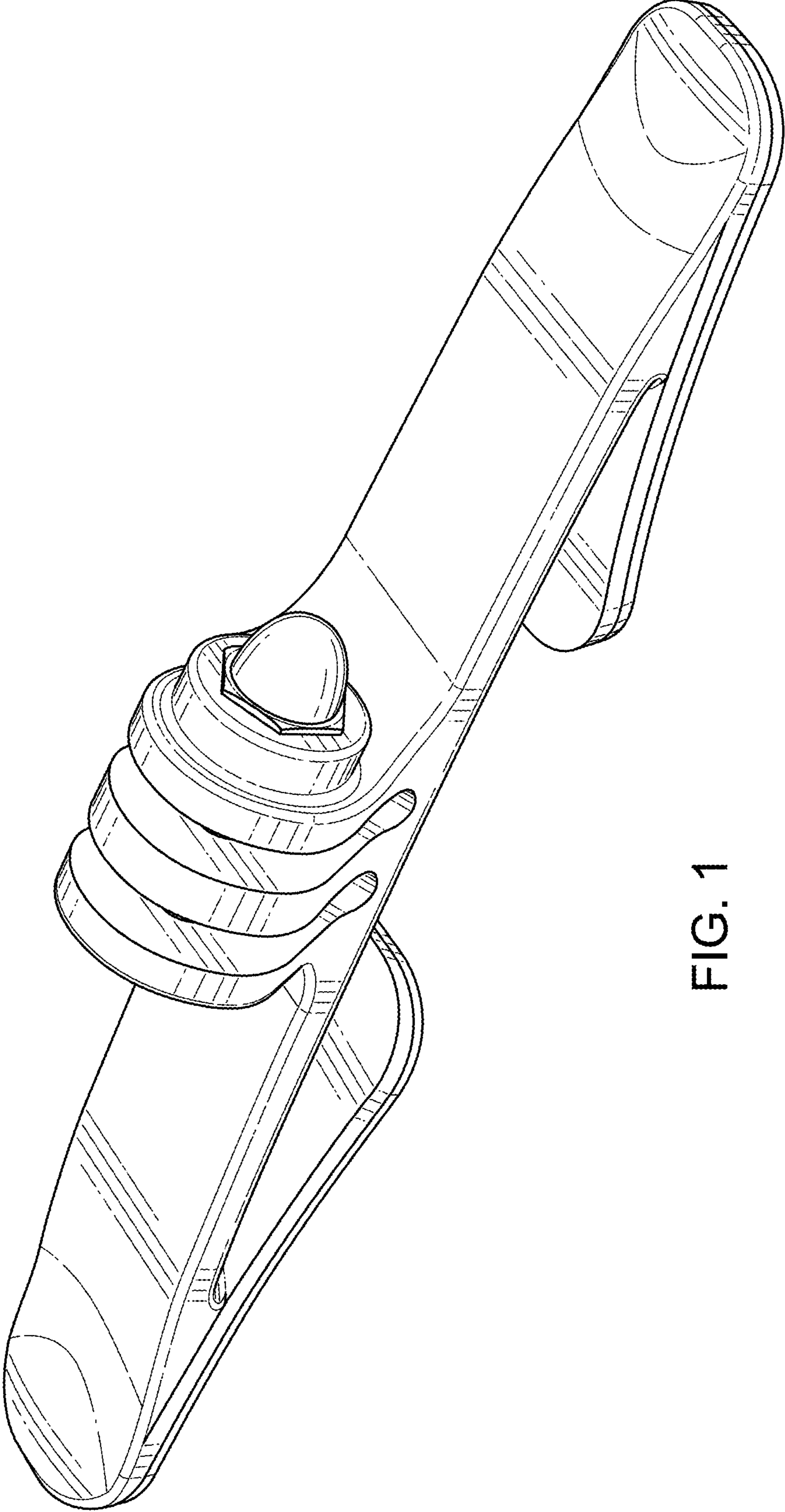


FIG. 1

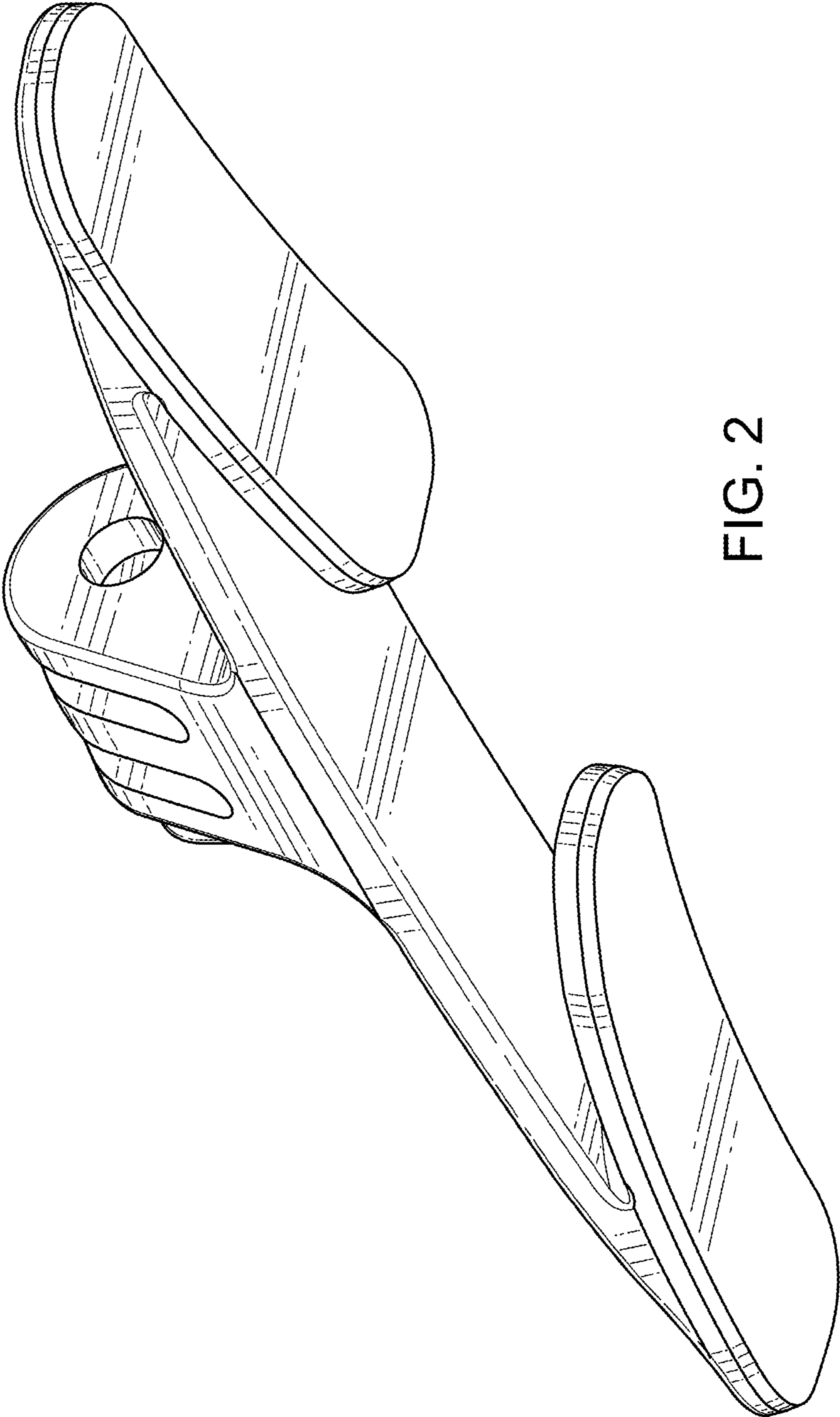


FIG. 2

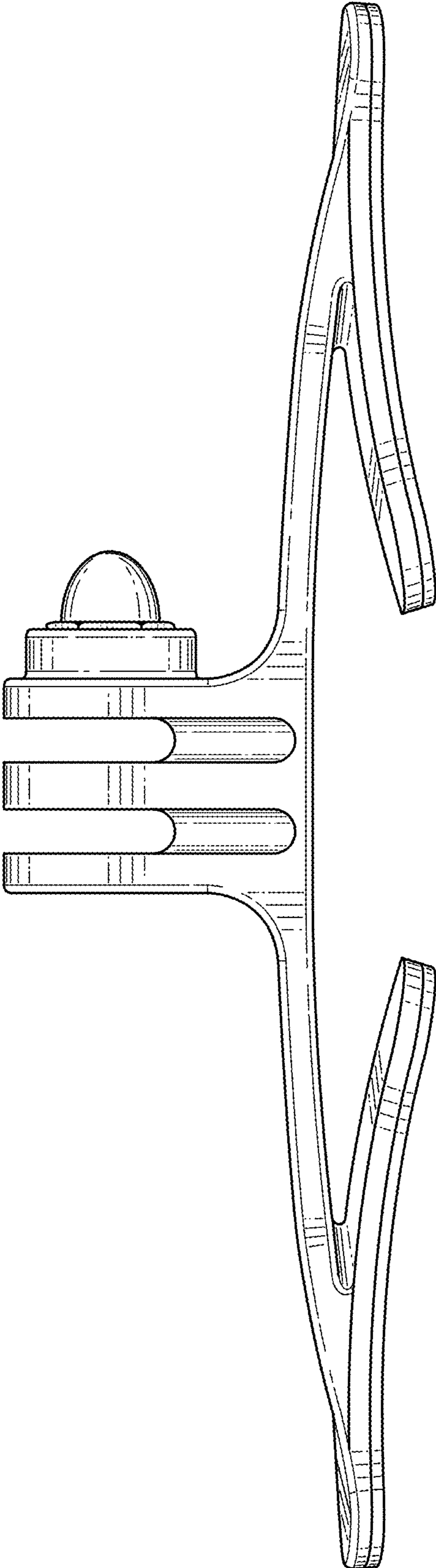


FIG. 3

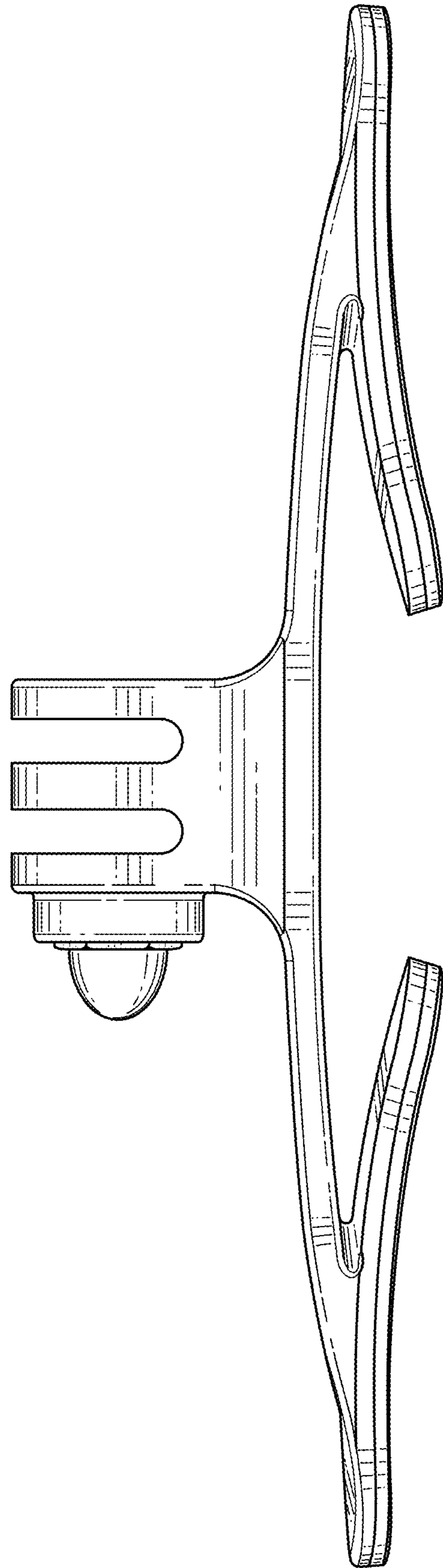


FIG. 4

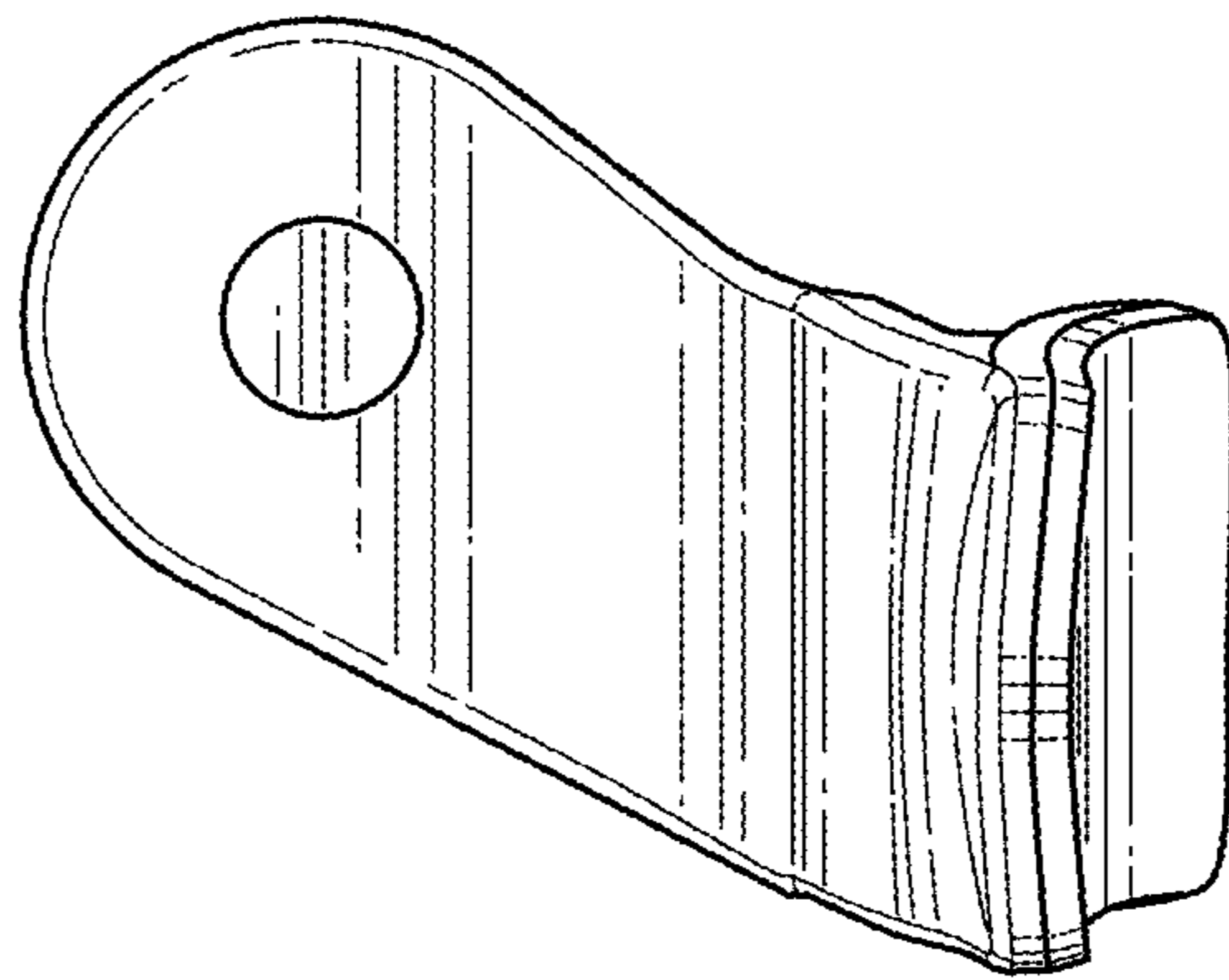


FIG. 5

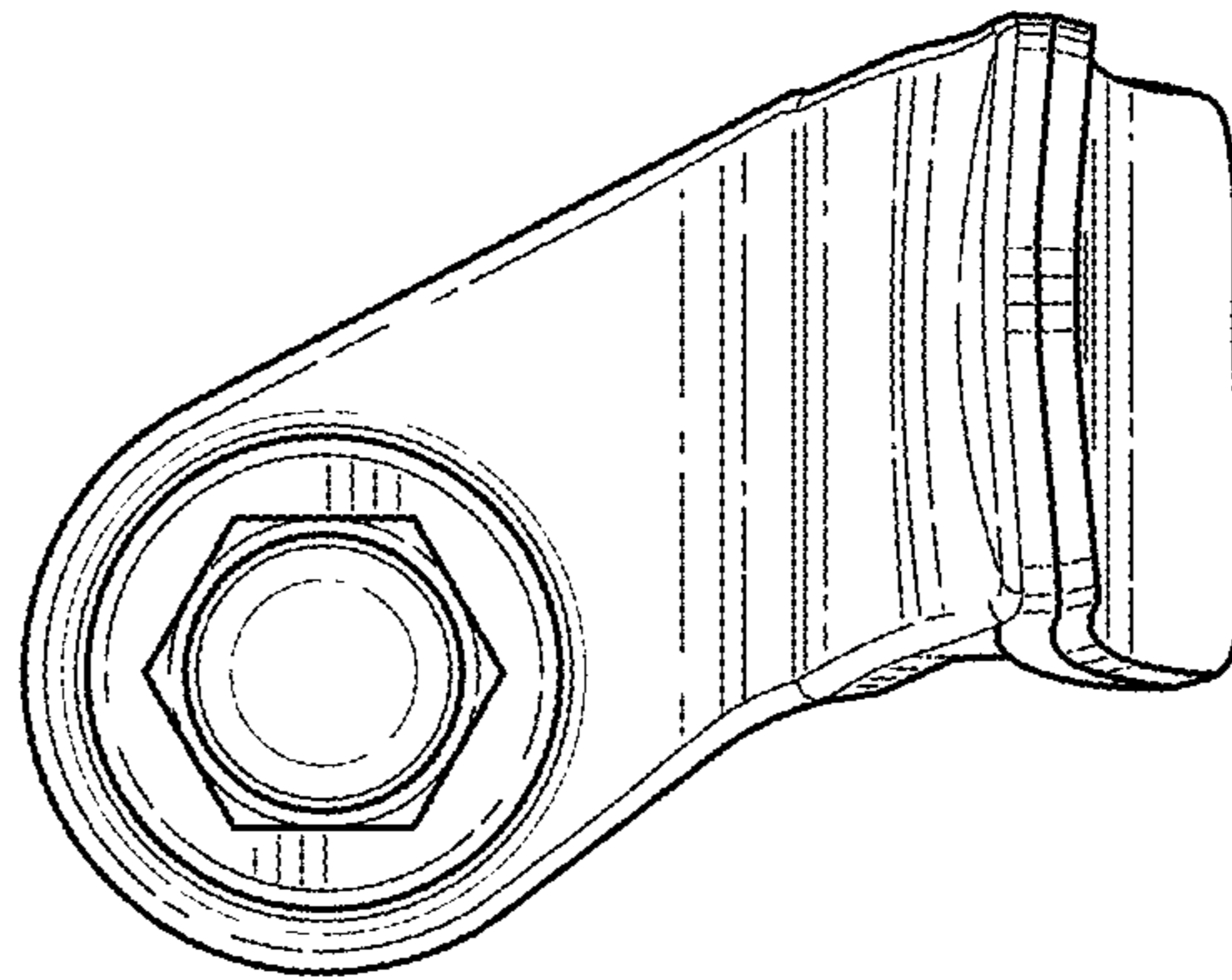


FIG. 6

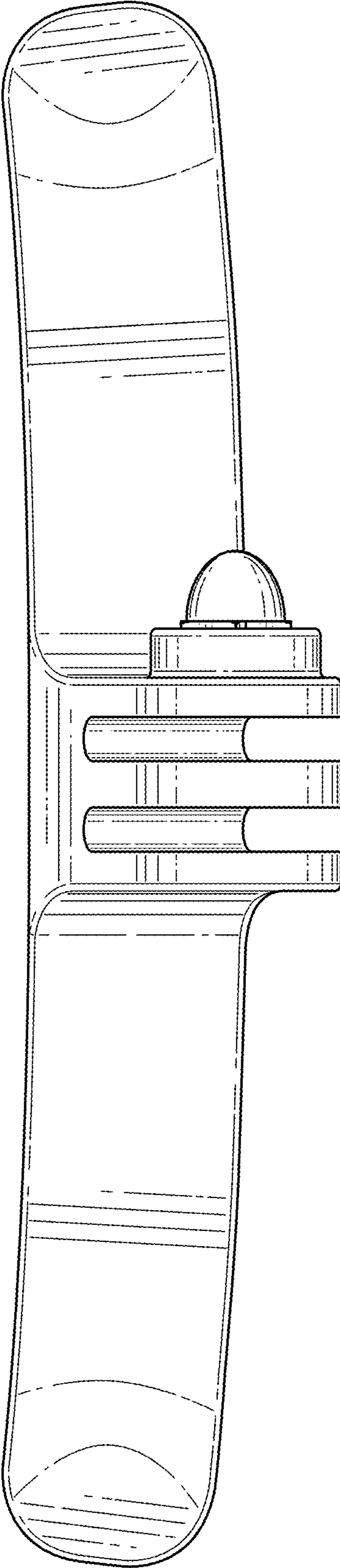


FIG. 7

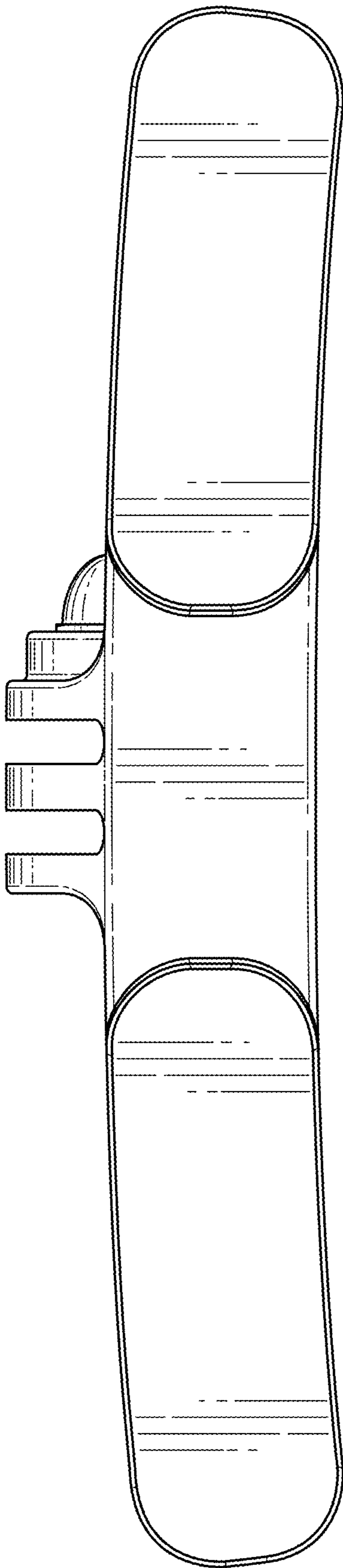


FIG. 8