



US00D768755S

(12) **United States Design Patent** (10) **Patent No.:** **US D768,755 S**  
**Thomas et al.** (45) **Date of Patent:** **\*\* Oct. 11, 2016**

(54) **CAMERA MOUNT**

(71) Applicant: **GoPro, Inc.**, San Mateo, CA (US)

(72) Inventors: **Matthew D. Thomas**, Castro Valley, CA (US); **John George Muhlenkamp, IV**, Brisbane, CA (US)

(73) Assignee: **GoPro, Inc.**, San Mateo, CA (US)

(\*\*) Term: **15 Years**

(21) Appl. No.: **29/532,009**

(22) Filed: **Jun. 30, 2015**

(51) **LOC (10) Cl.** ..... **16-05**

(52) **U.S. Cl.**  
USPC ..... **D16/242**

(58) **Field of Classification Search**  
USPC ..... D16/206, 219, 235, 237-245, 250;  
D14/251, 253; D8/107, 303, 354, 355,  
D8/356, 363, 367, 373, 380, 383, 387, 394,  
D8/396  
CPC ..... G03B 17/56; G03B 17/561-17/568;  
G02B 7/00-7/002; H04N 5/2253-5/2254;  
F16M 11/04-11/12  
See application file for complete search history.

(56) **References Cited**

**U.S. PATENT DOCUMENTS**

D399,230 S \* 10/1998 Tenne ..... D16/237  
D413,897 S \* 9/1999 Richter ..... D14/253  
D483,789 S \* 12/2003 Dordick ..... D16/242

D506,493 S \* 6/2005 Naito ..... D13/133  
D555,459 S \* 11/2007 Goodwin, III ..... D8/363  
D589,998 S \* 4/2009 Ollila ..... D16/242  
D649,576 S \* 11/2011 Jannard ..... D16/242  
D675,242 S \* 1/2013 O'Donnell ..... D16/242  
D685,838 S \* 7/2013 Corticelli ..... D16/242  
D712,394 S \* 9/2014 Booth ..... D14/253  
D754,116 S \* 4/2016 O'Neill ..... D14/252  
D756,199 S \* 5/2016 Carrubba ..... D8/354  
2015/0177597 A1 \* 6/2015 Harrison ..... G03B 17/561  
396/419

\* cited by examiner

*Primary Examiner* — Vy Koenig

(74) *Attorney, Agent, or Firm* — Fenwick & West LLP

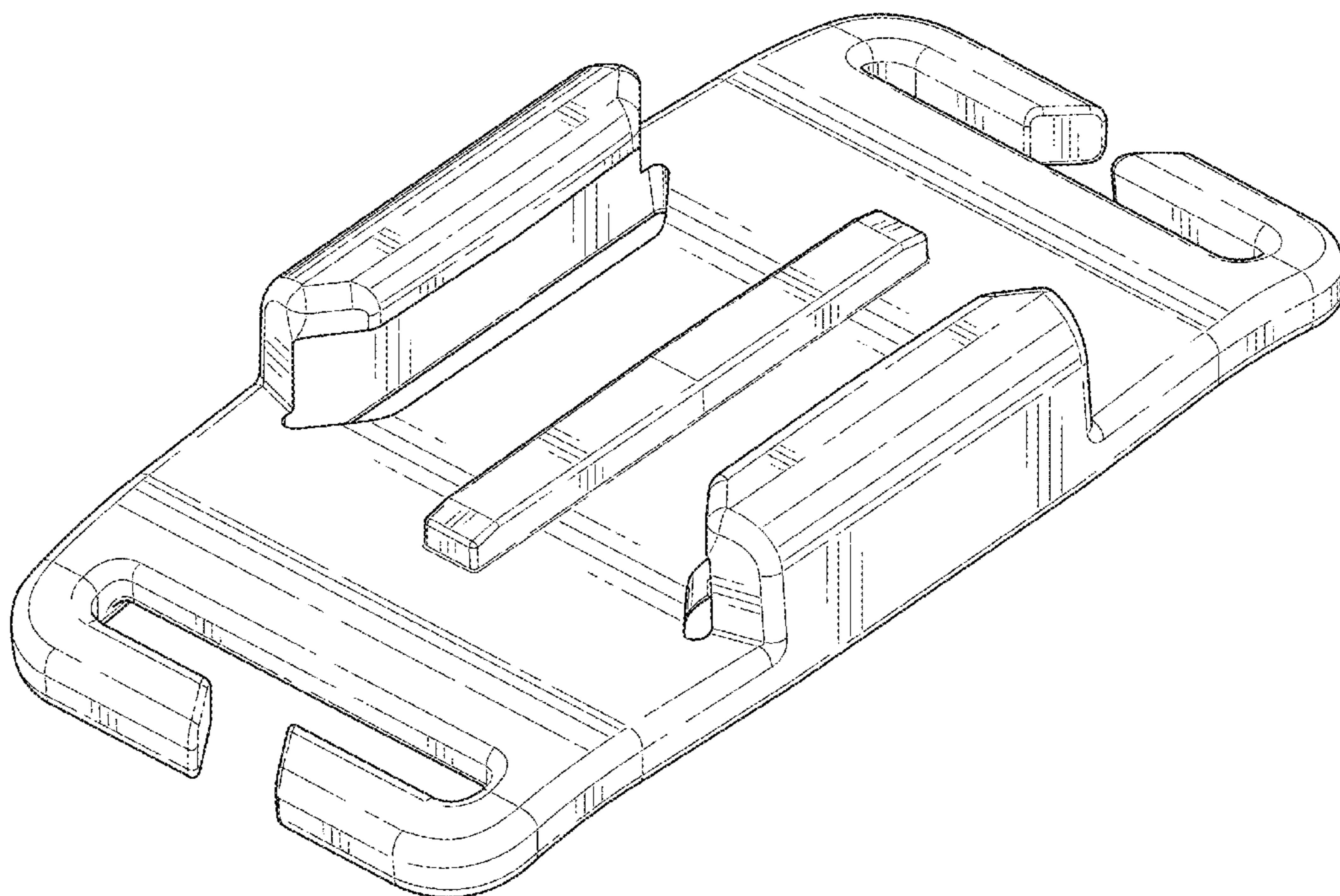
(57) **CLAIM**

The ornamental design for a camera mount, as shown and described.

**DESCRIPTION**

FIG. 1 is a front, top, and right side perspective view of a camera mount;  
FIG. 2 is a front, bottom, and left side perspective view thereof;  
FIG. 3 is a rear, top, and left side perspective view thereof;  
FIG. 4 is a rear, bottom, and right side perspective view thereof;  
FIG. 5 is a rear elevational view thereof;  
FIG. 6 is a front elevational view thereof;  
FIG. 7 is a left side elevational view thereof;  
FIG. 8 is a right side elevational view thereof;  
FIG. 9 is a top plan view thereof; and,  
FIG. 10 is a bottom plan view thereof.

**1 Claim, 10 Drawing Sheets**



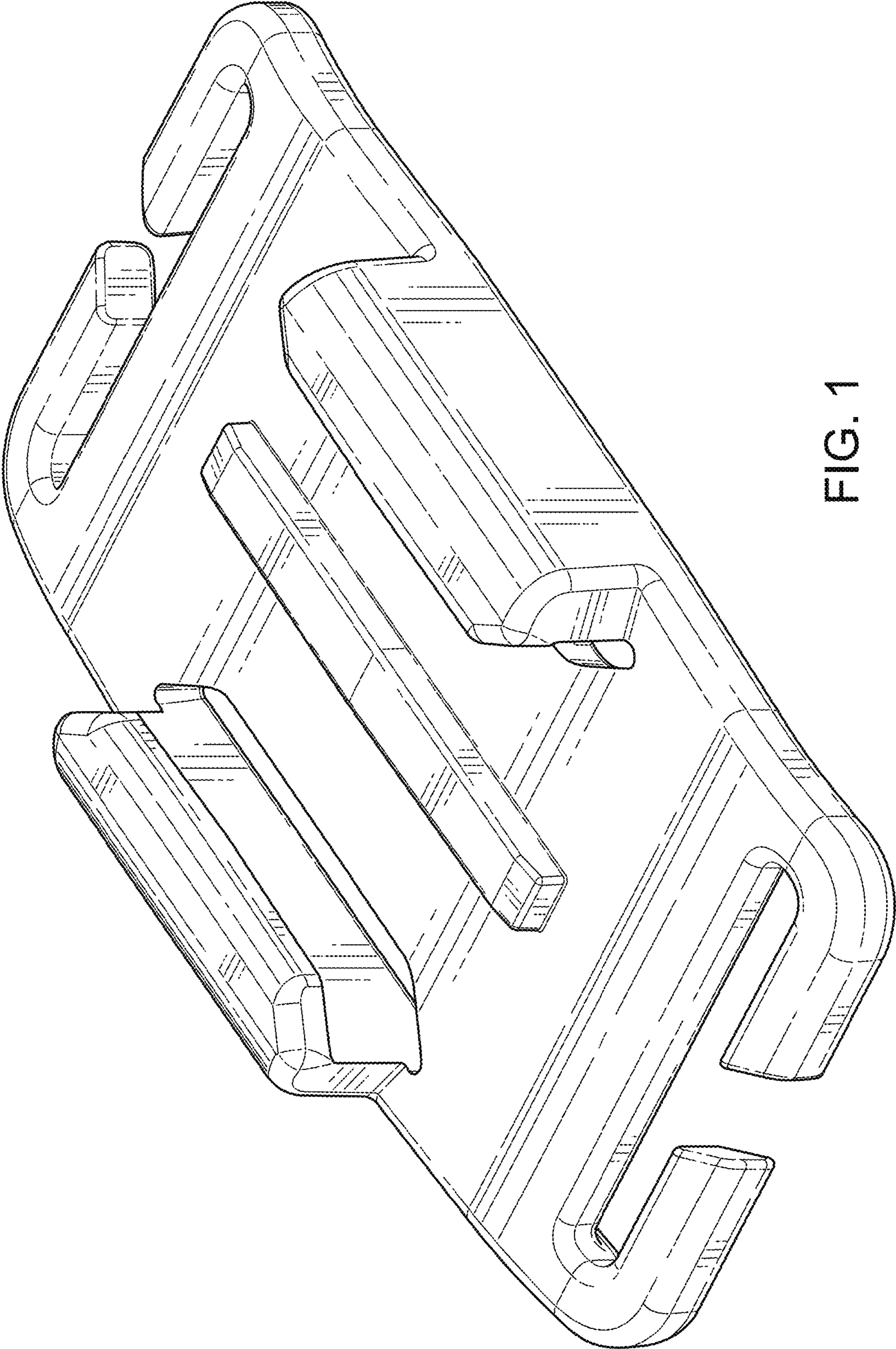


FIG. 1

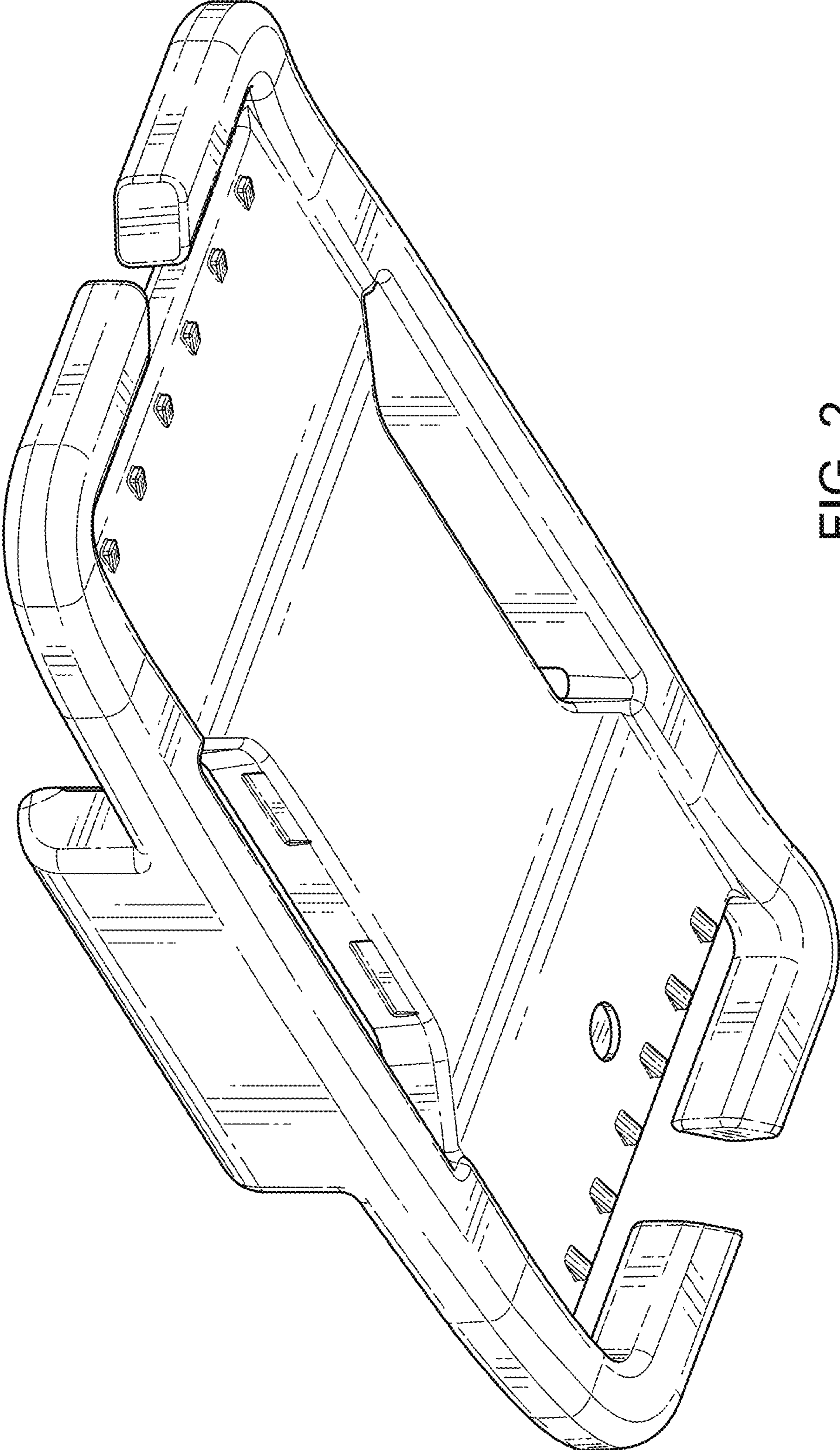


FIG. 2

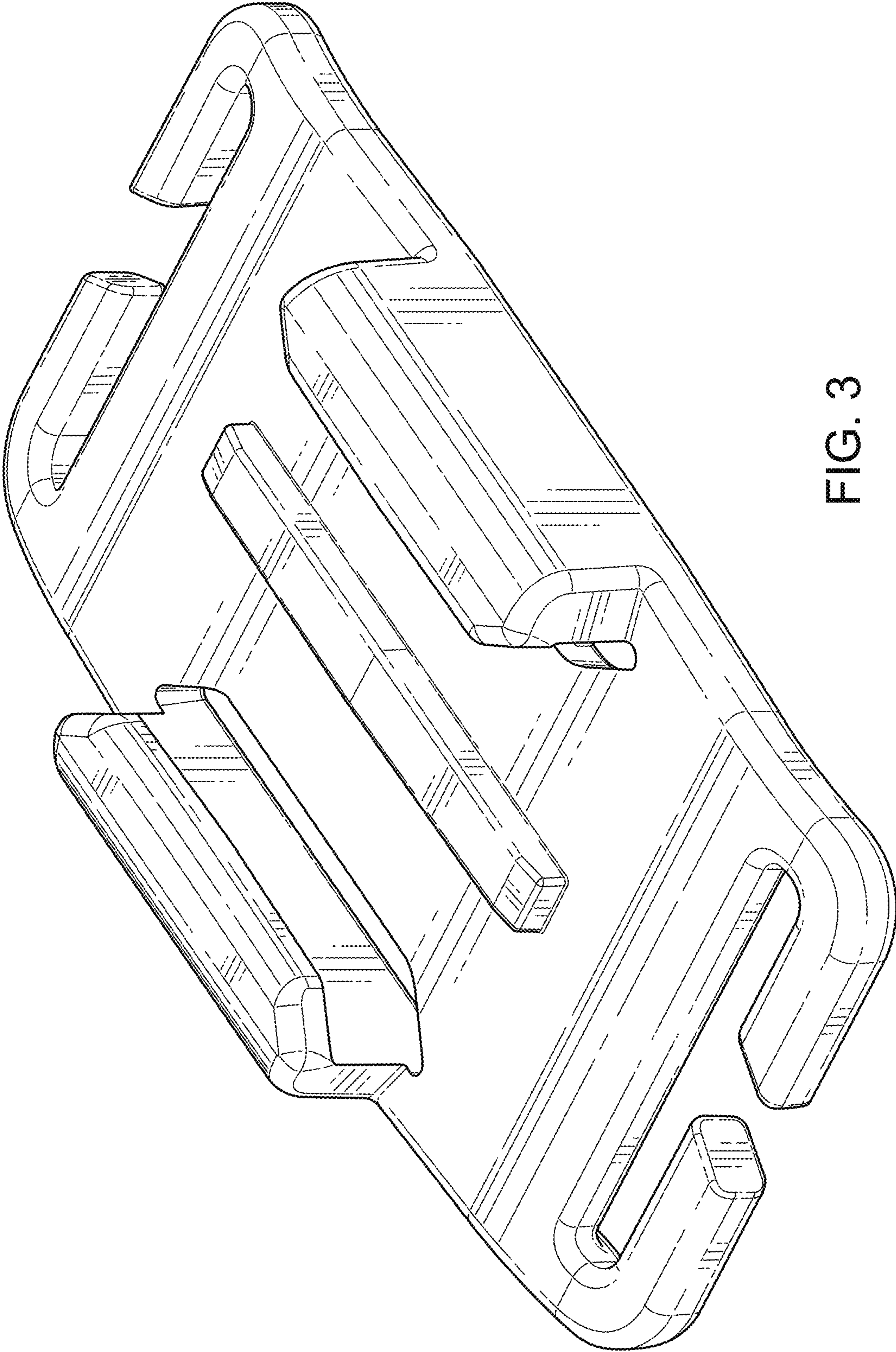


FIG. 3

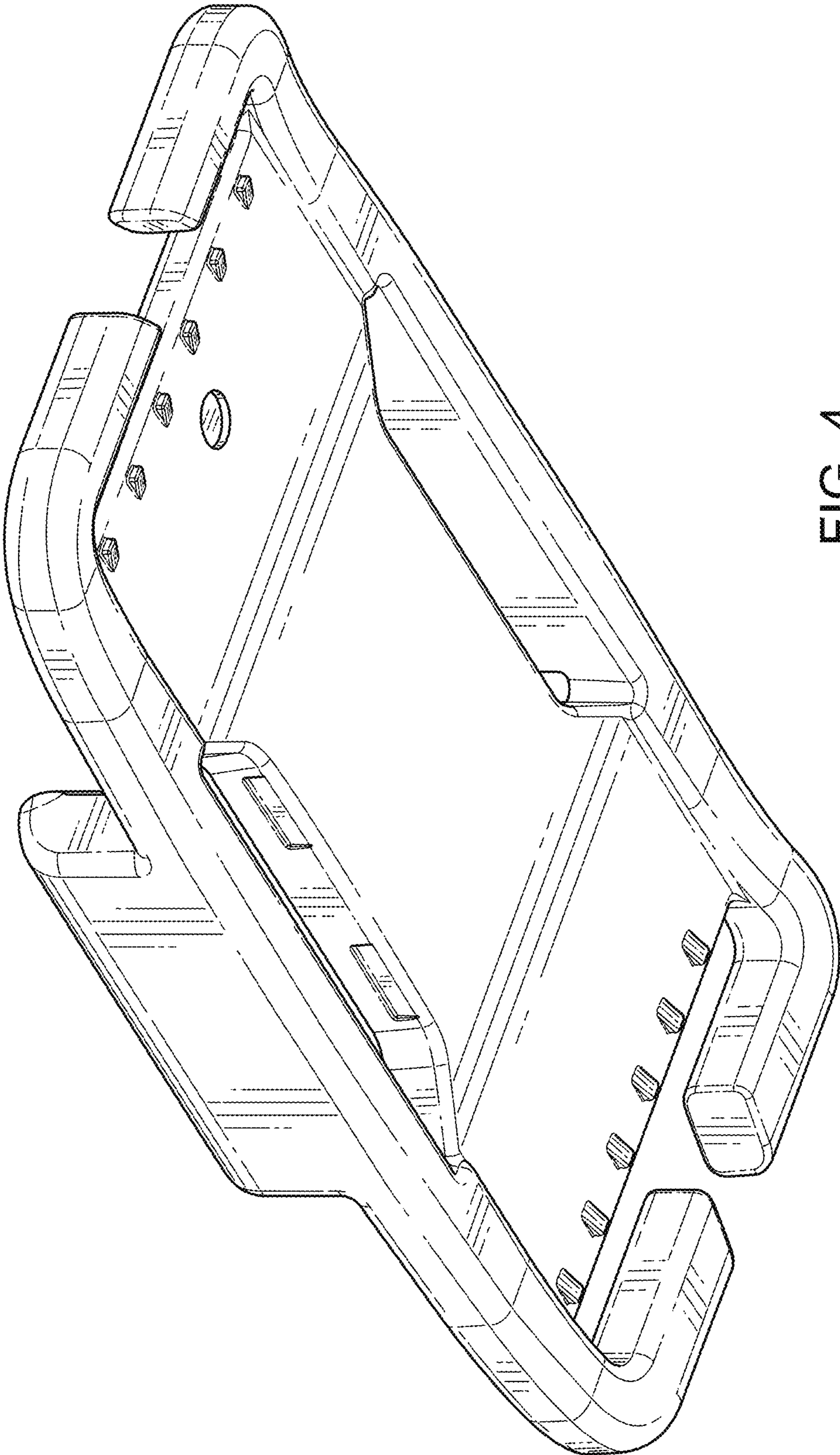


FIG. 4

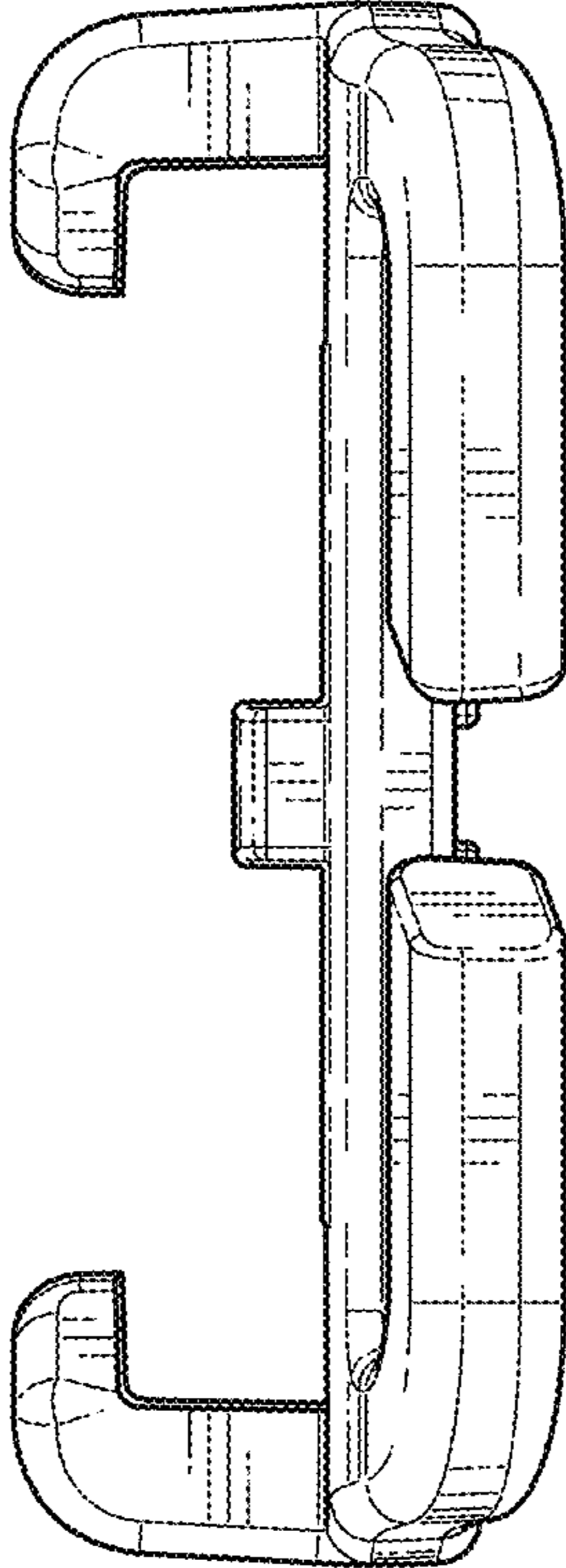


FIG. 5

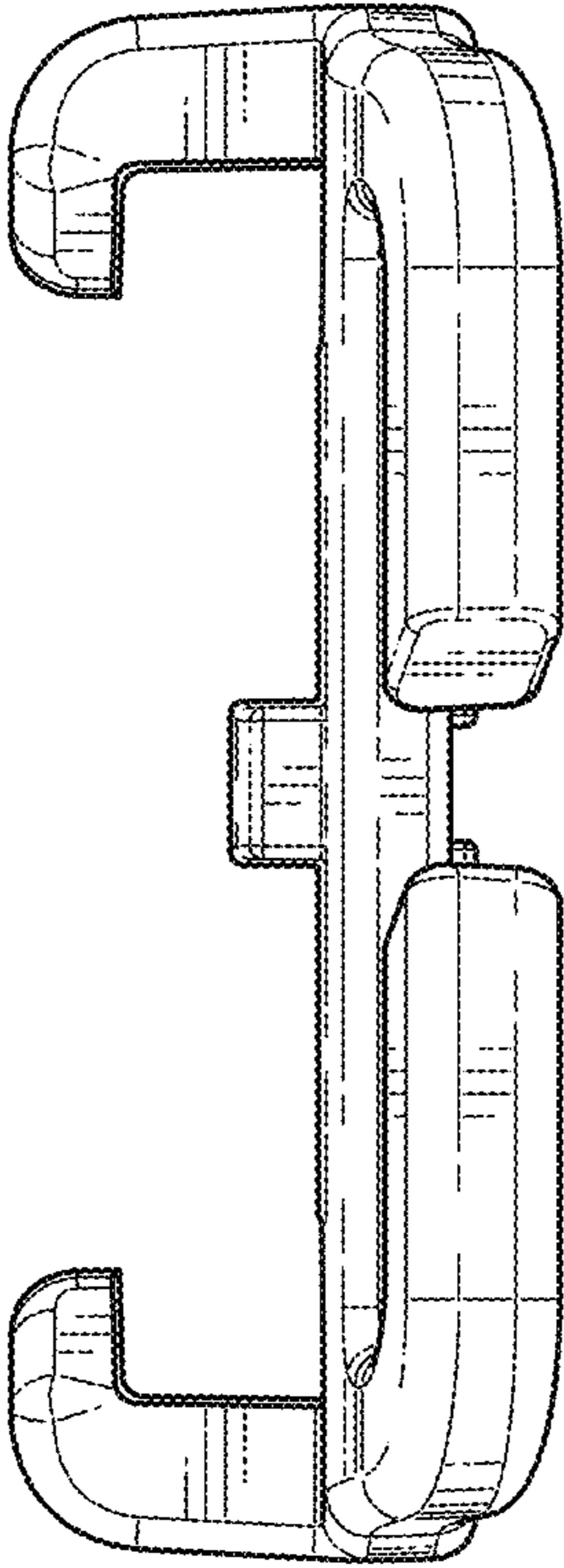


FIG. 6

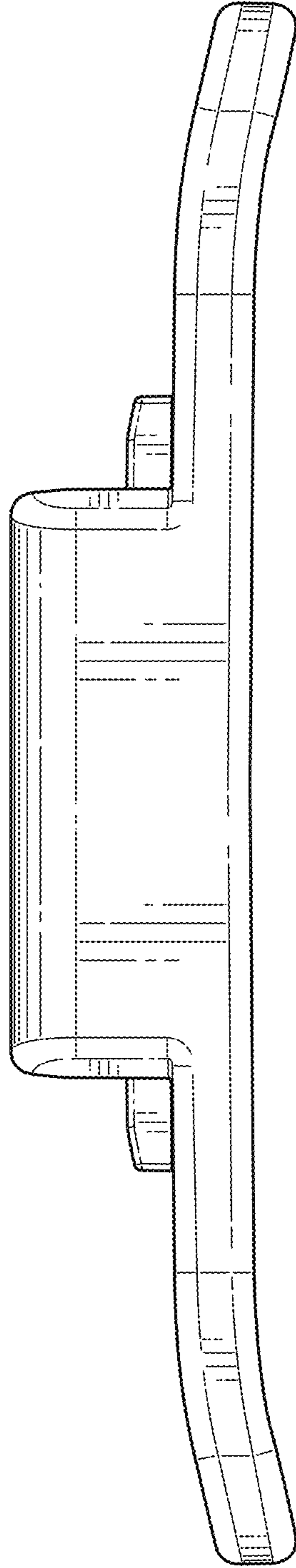


FIG. 7



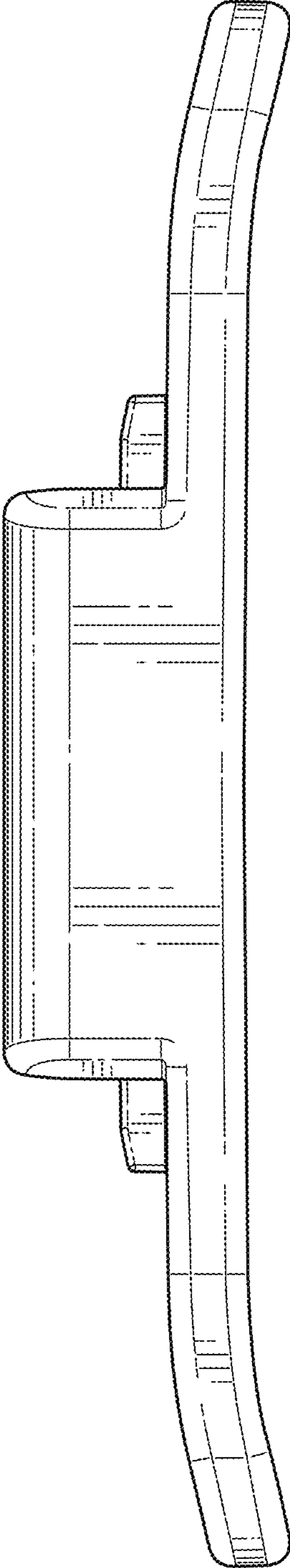


FIG. 8

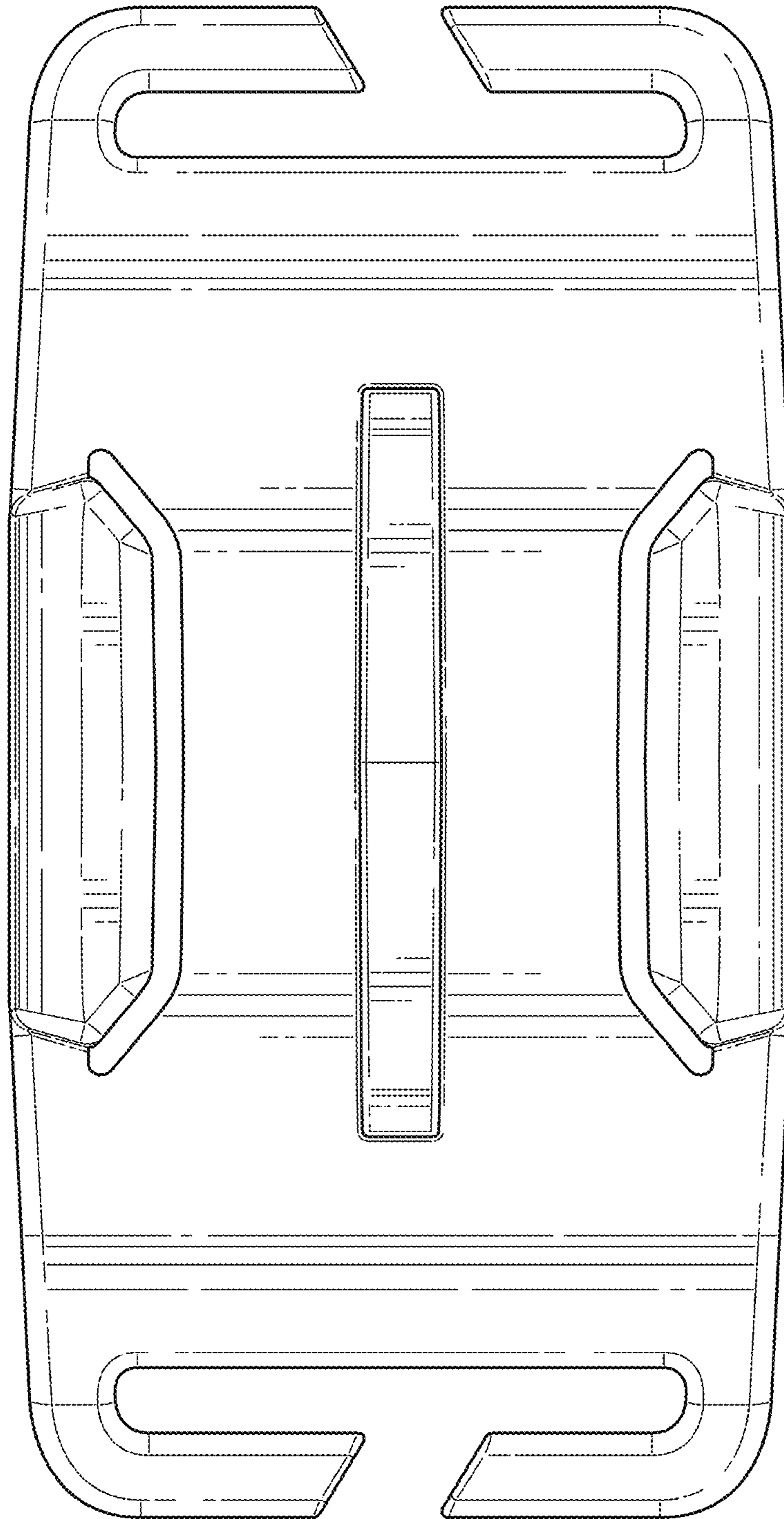


FIG. 9

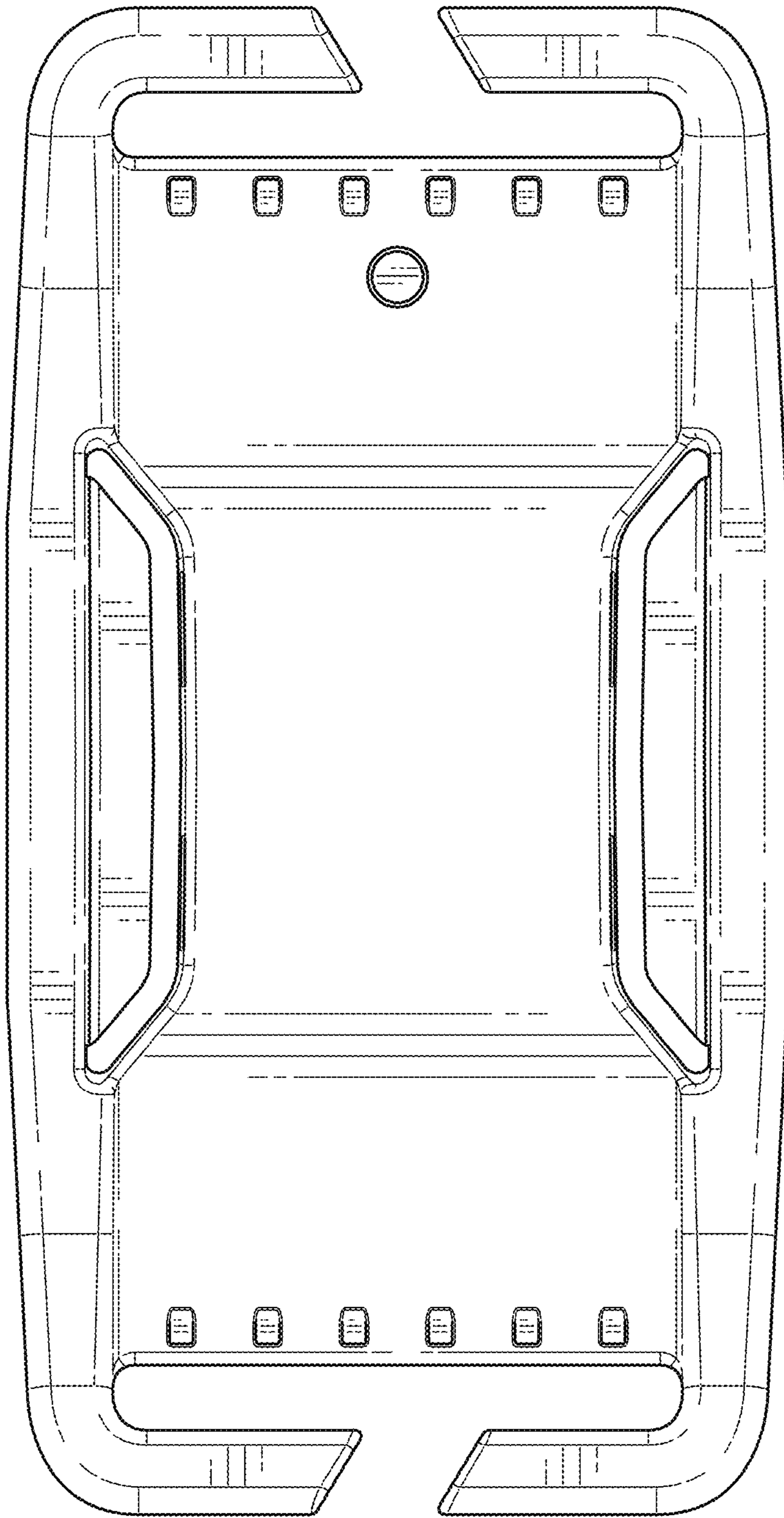


FIG. 10