



US00D768754S

(12) **United States Design Patent**
Bennett et al.

(10) **Patent No.:** **US D768,754 S**
(45) **Date of Patent:** **** Oct. 11, 2016**

(54) **CAMERA POLE MOUNT**
(71) Applicant: **GoPro, Inc.**, San Mateo, CA (US)
(72) Inventors: **Eric McCallister Bennett**, Foster City, CA (US); **Joshua Todd Druker**, Redwood City, CA (US); **Richard Gioscia**, Santa Clara, CA (US); **Nicholaus Ian Lubinski**, San Francisco, CA (US)
(73) Assignee: **GoPro, Inc.**, San Mateo, CA (US)

D665,007 S * 8/2012 Gooch F16M 11/12
D16/242
D757,841 S * 5/2016 Chuang D16/242
D758,474 S * 6/2016 Harrison D16/242
2015/0108306 A1* 4/2015 Chuang F16M 11/14
248/231.51

* cited by examiner

Primary Examiner — Vy Koenig
(74) *Attorney, Agent, or Firm* — Fenwick & West LLP

(**) Term: **15 Years**

(21) Appl. No.: **29/531,924**

(22) Filed: **Jun. 30, 2015**

(51) **LOC (10) Cl.** **16-05**

(52) **U.S. Cl.**
USPC **D16/242**

(58) **Field of Classification Search**
USPC D16/206, 219, 235, 237–245, 250;
D14/251, 253; D8/107, 303, 354, 355,
D8/356, 363, 367, 373, 380, 383, 387, 394,
D8/396
CPC G03B 17/56; G03B 17/561–17/568;
G02B 7/00–7/002; H04N 5/2253–5/2254;
F16M 11/04–11/12
See application file for complete search history.

(56) **References Cited**

U.S. PATENT DOCUMENTS

D411,220 S * 6/1999 Surabian 224/908
6,244,759 B1 * 6/2001 Russo F16M 11/40
352/243

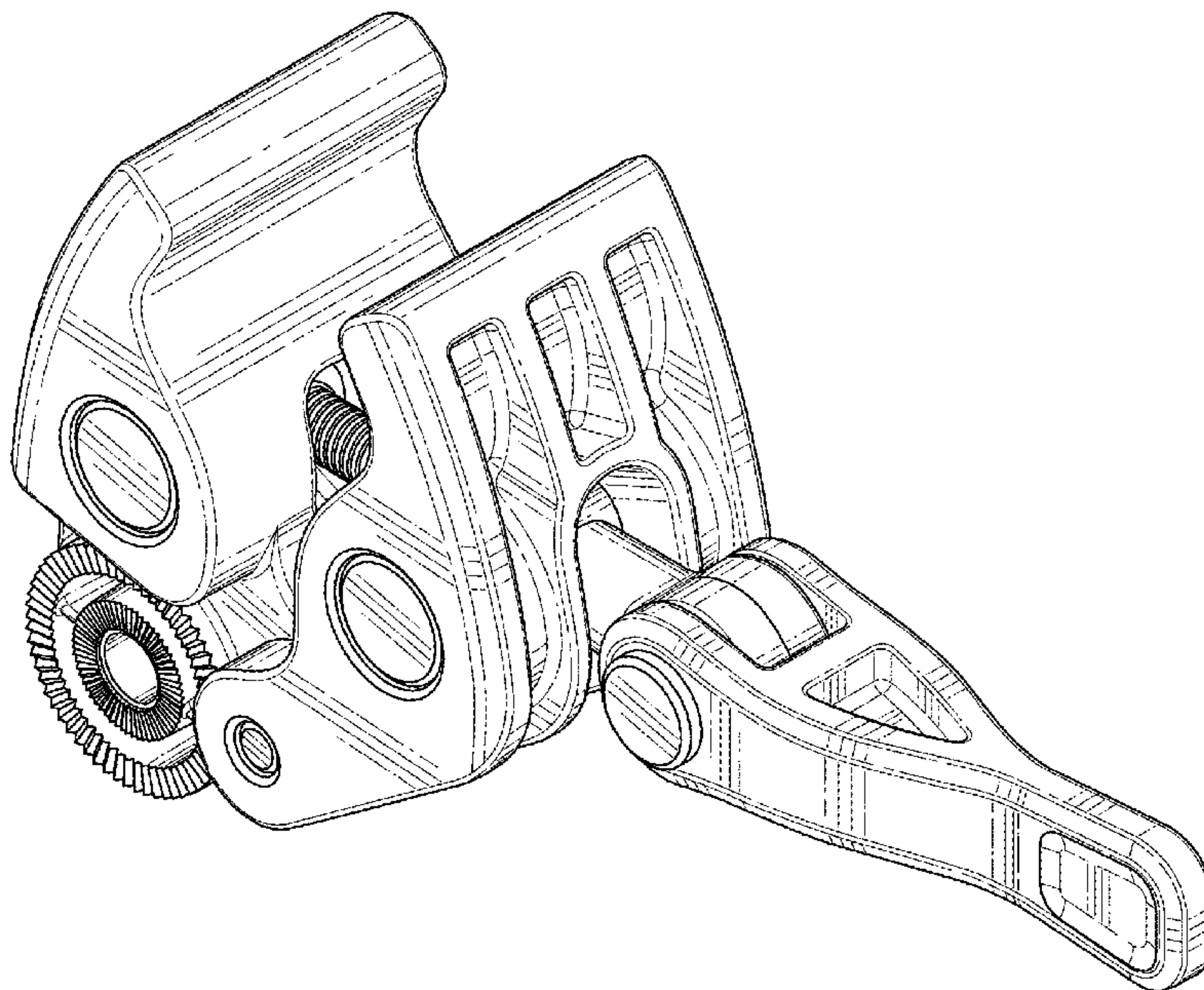
(57) **CLAIM**

The ornamental design for a camera pole mount, as shown and described.

DESCRIPTION

FIG. 1 is a front, top, and left side perspective view of a camera pole mount showing our new design;
FIG. 2 is a rear, top, and right side perspective view thereof;
FIG. 3 is a front, bottom, and right side perspective view thereof;
FIG. 4 is a rear, bottom, and left side perspective view thereof;
FIG. 5 is a left side elevational view thereof;
FIG. 6 is a right side elevational view thereof;
FIG. 7 is a rear elevational view thereof;
FIG. 8 is a front elevational view thereof;
FIG. 9 is a top plan view thereof; and,
FIG. 10 is a bottom plan view thereof.

1 Claim, 10 Drawing Sheets



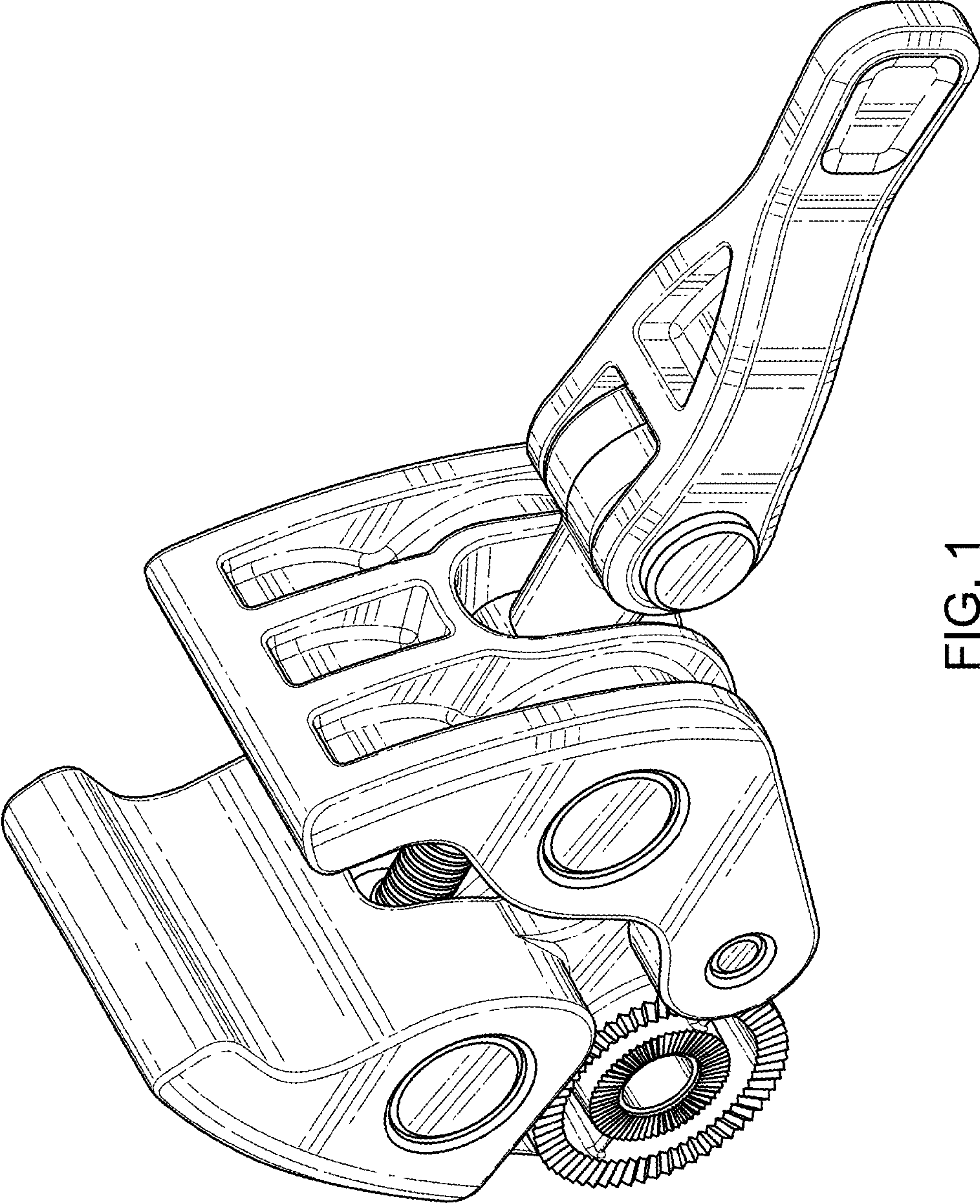


FIG. 1

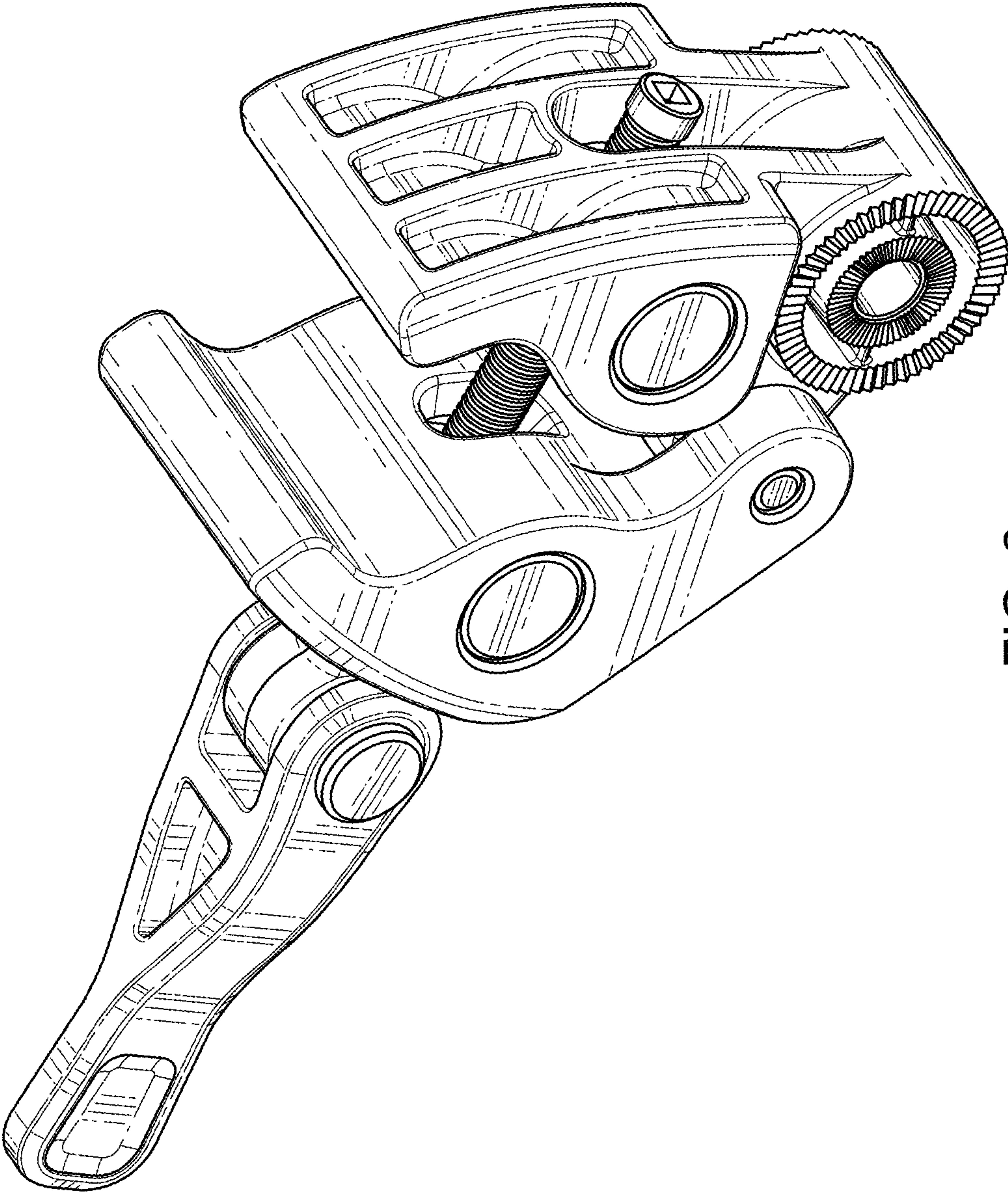


FIG. 2

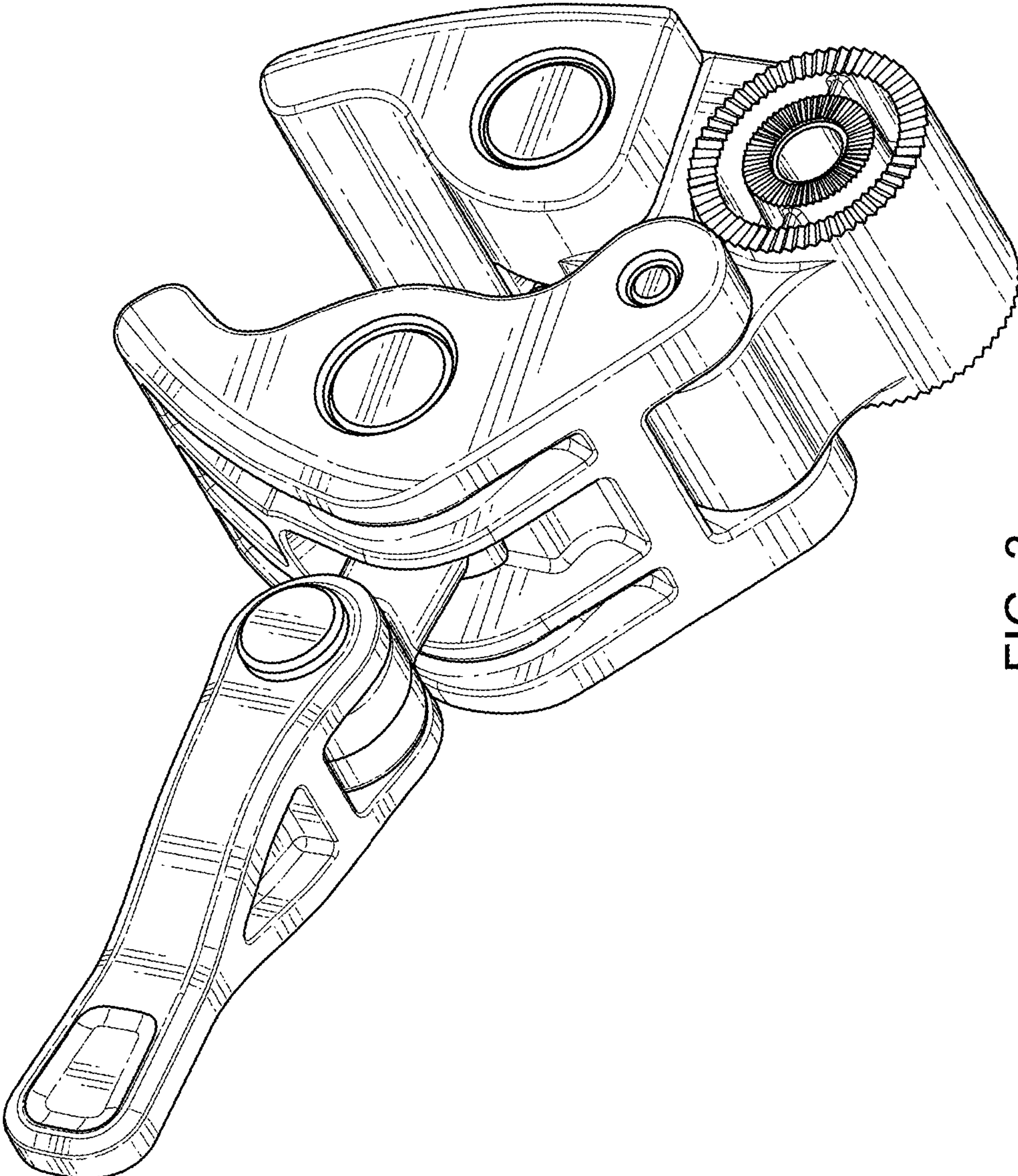


FIG. 3

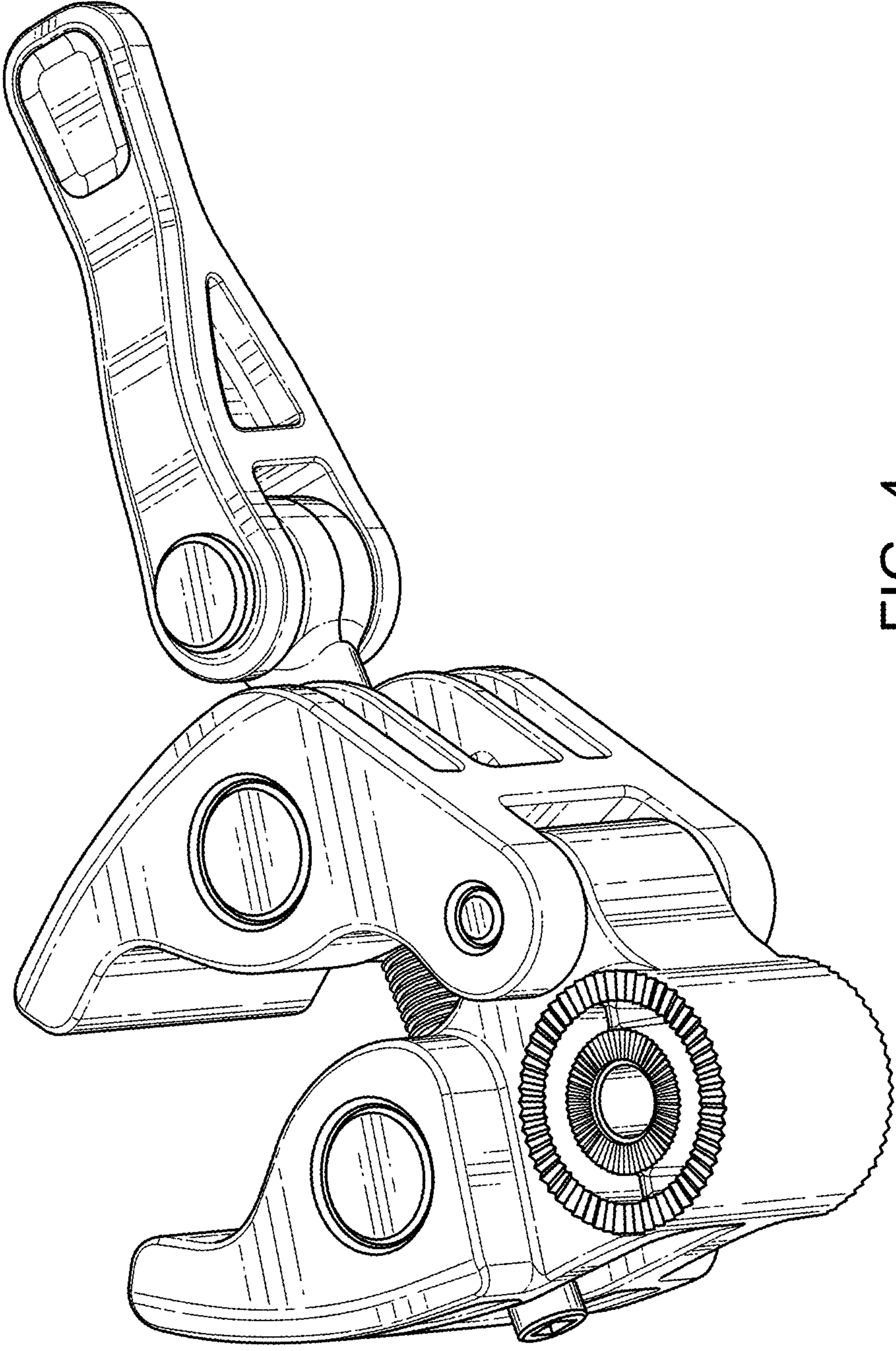


FIG. 4

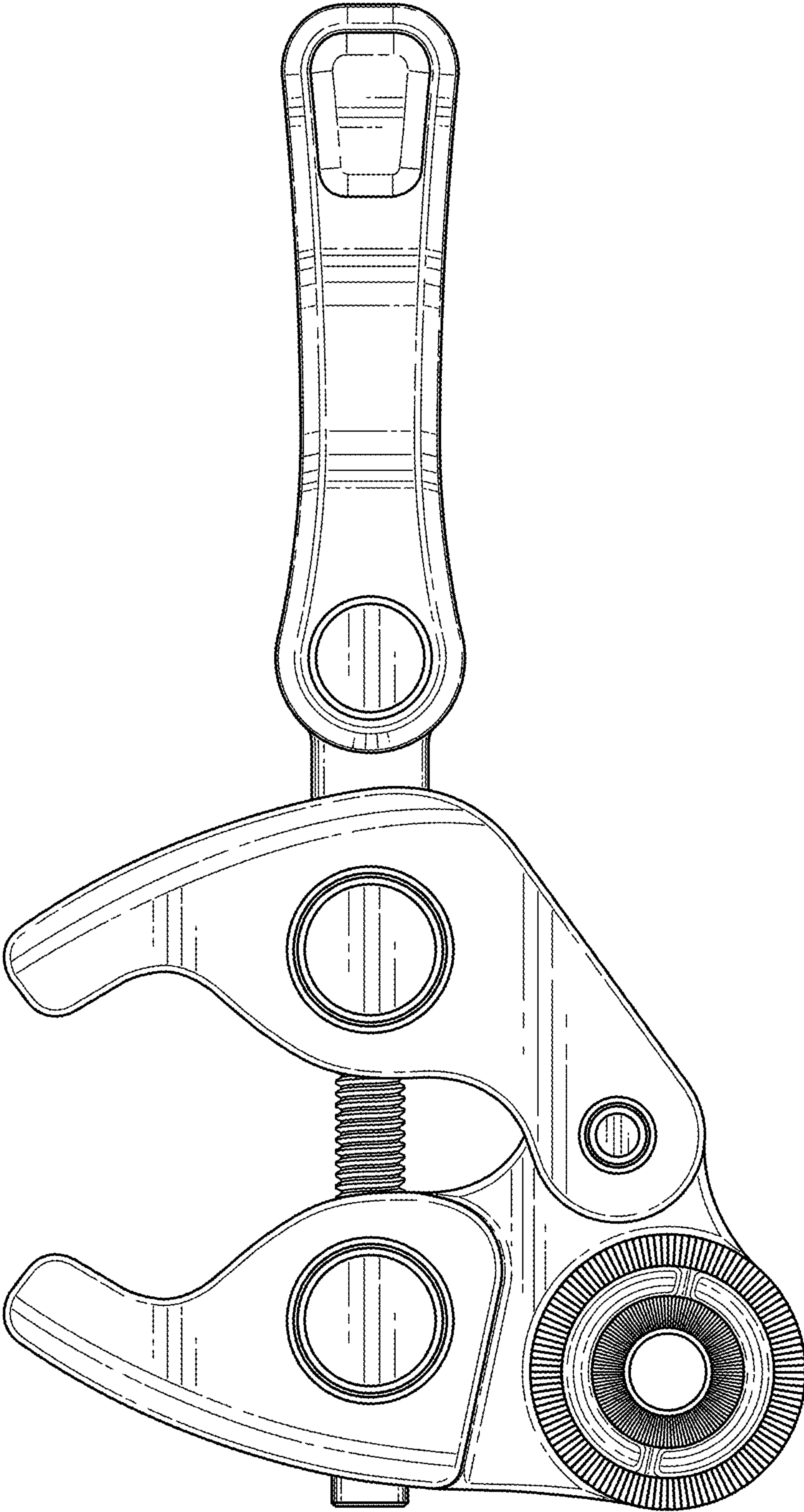


FIG. 5

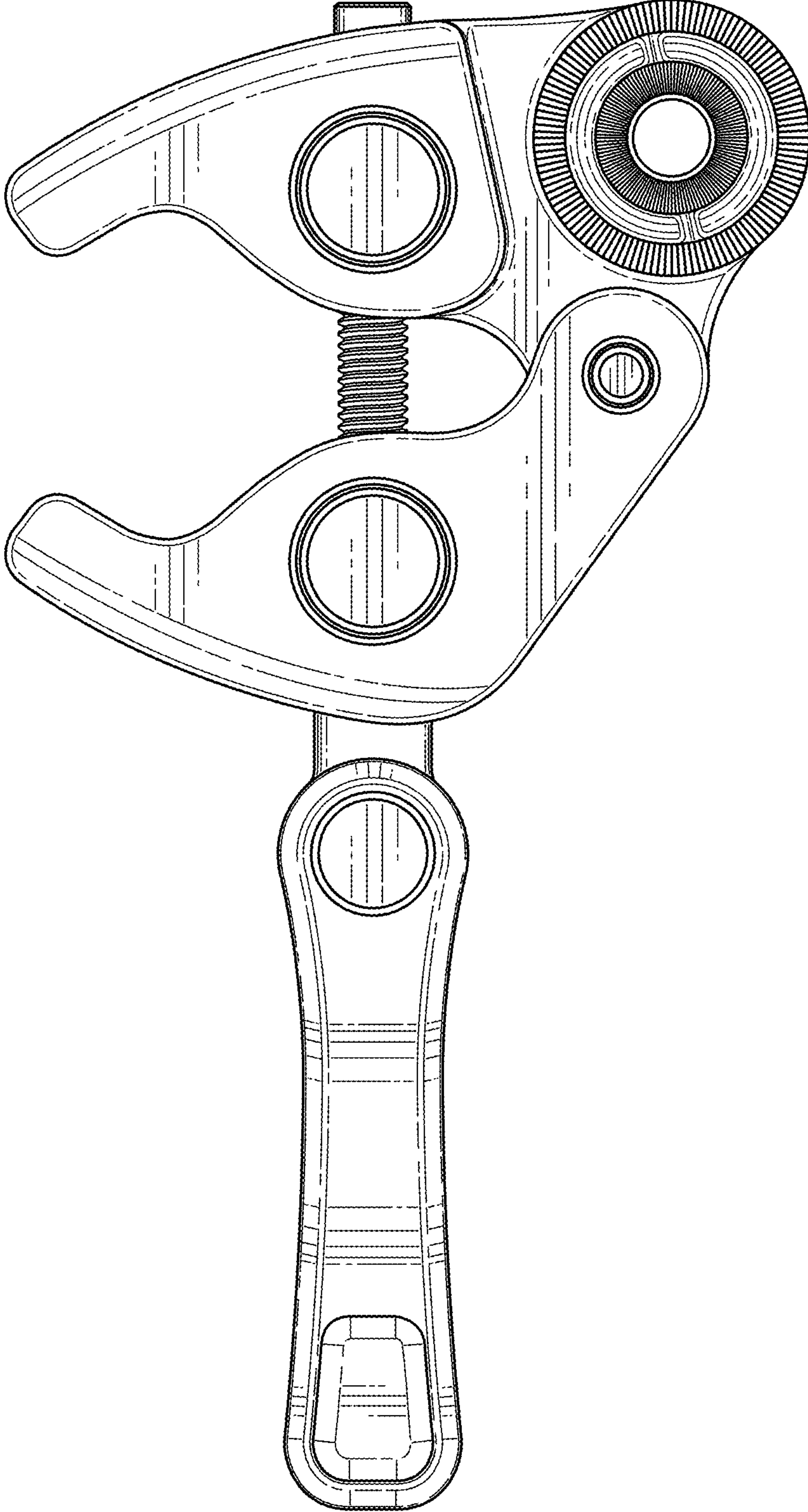


FIG. 6

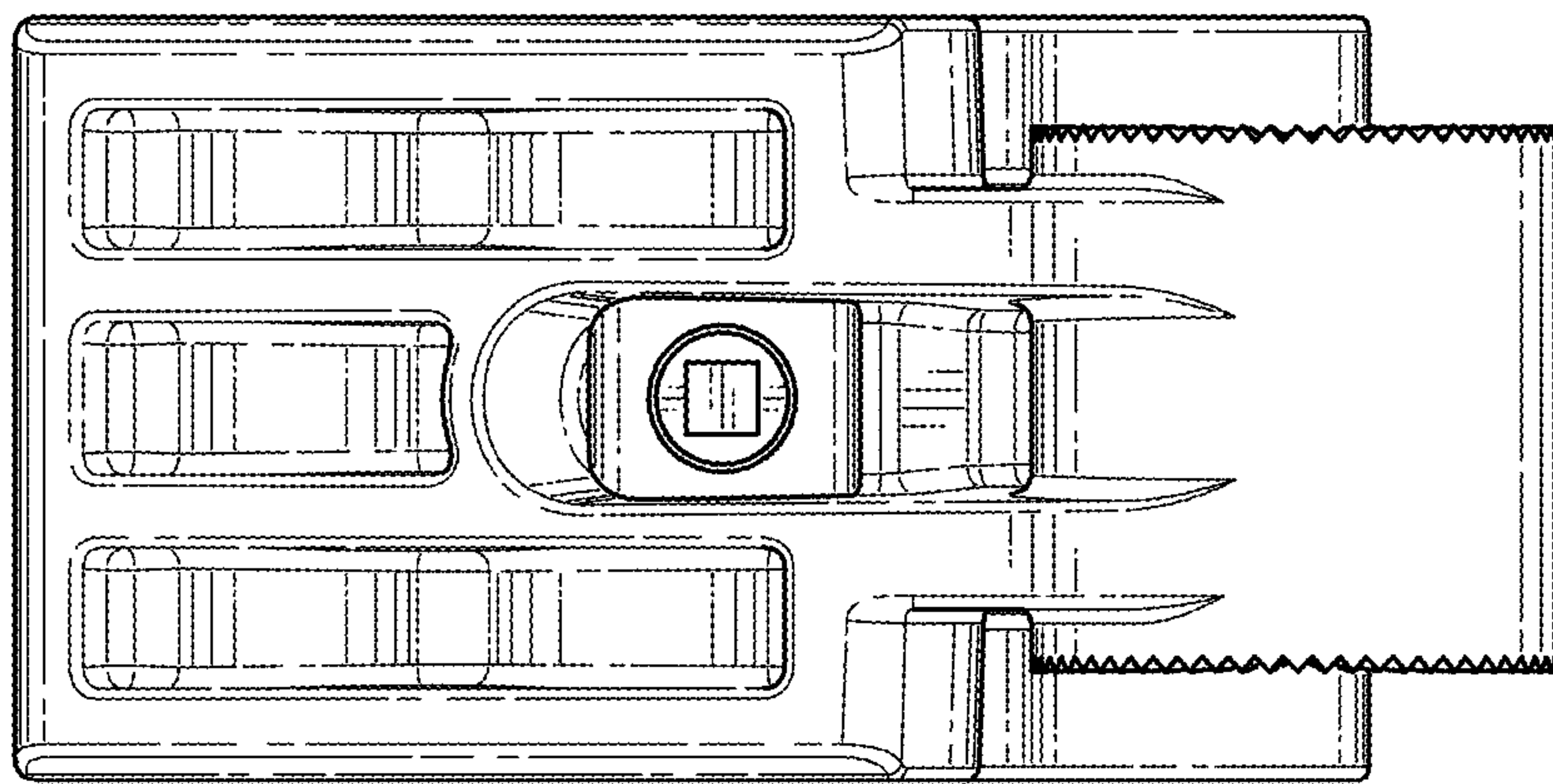


FIG. 7

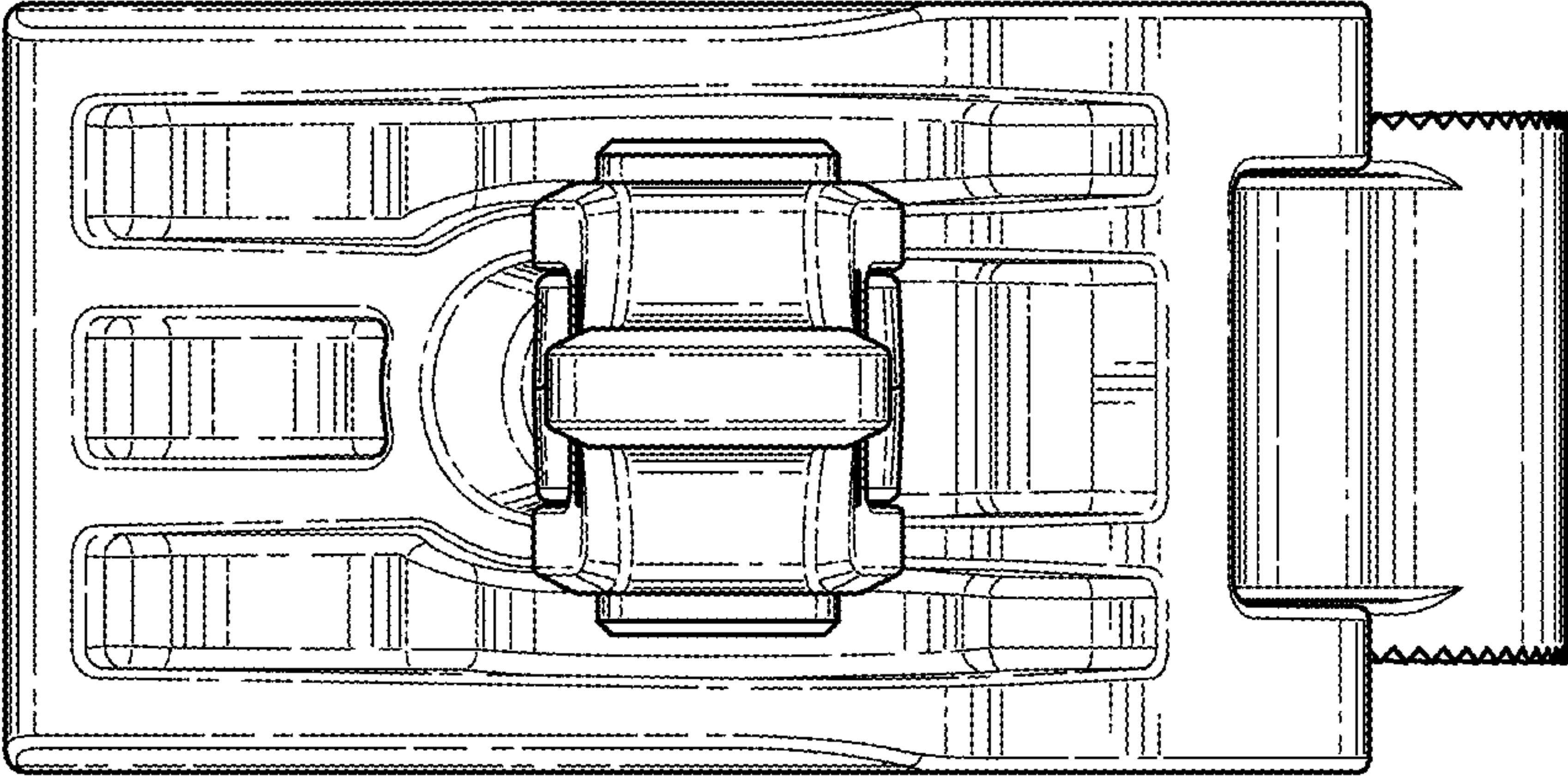


FIG. 8

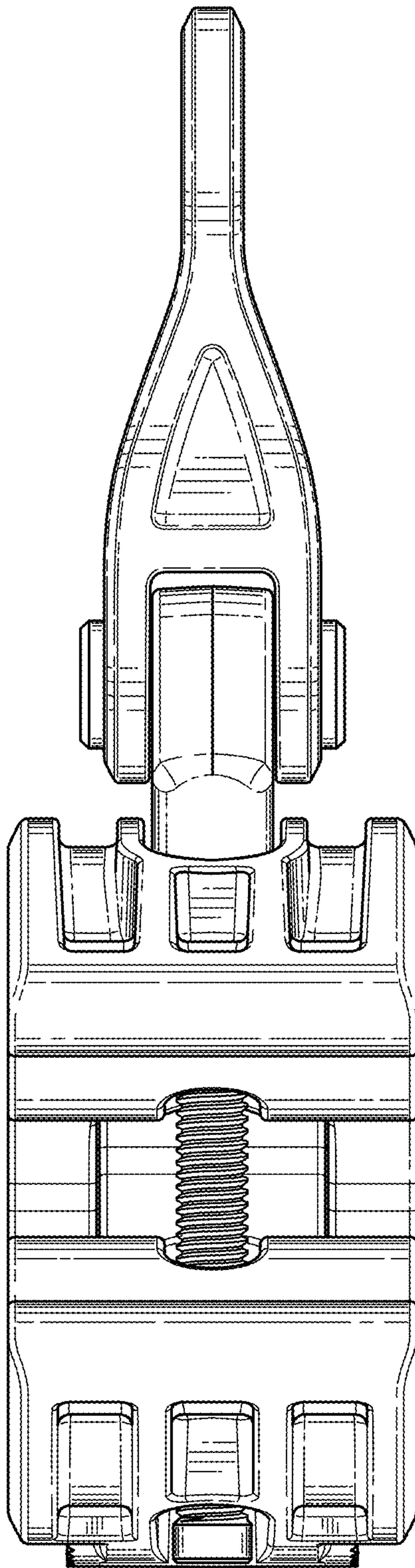


FIG. 9

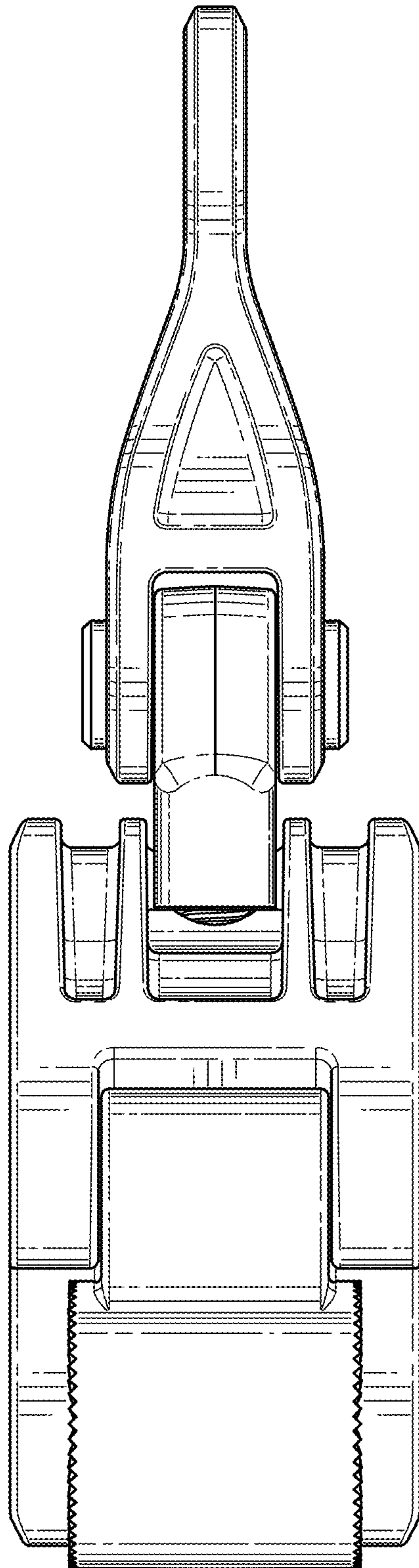


FIG. 10