



US00D768753S

(12) **United States Design Patent**  
**Harrison et al.**

(10) **Patent No.:** **US D768,753 S**  
(45) **Date of Patent:** **\*\* Oct. 11, 2016**

(54) **PLUG FOR CAMERA MOUNT**  
(71) Applicant: **GoPro, Inc.**, San Mateo, CA (US)  
(72) Inventors: **Ryan Harrison**, El Granada, CA (US);  
**Mark Costa**, Menlo Park, CA (US);  
**Richard Gioscia**, Santa Clara, CA  
(US); **Emily Clopp**, San Francisco, CA  
(US)  
(73) Assignee: **GoPro, Inc.**, San Mateo, CA (US)

D482,261 S \* 11/2003 Kobayashi ..... D8/349  
D506,493 S \* 6/2005 Naito ..... D16/237  
D617,273 S \* 6/2010 Sakai ..... D13/133  
8,109,680 B2 \* 2/2012 Olien ..... F16M 11/041  
396/428

\* cited by examiner

*Primary Examiner* — Vy Koenig

(74) *Attorney, Agent, or Firm* — Fenwick & West LLP

(\*\*) Term: **14 Years**

(21) Appl. No.: **29/524,012**

(22) Filed: **Apr. 15, 2015**

(51) **LOC (10) Cl.** ..... **16-05**

(52) **U.S. Cl.**  
USPC ..... **D16/237**

(58) **Field of Classification Search**  
USPC ..... D16/206, 219, 235, 237–245, 250;  
D14/251, 253; D8/107, 303, 354, 355,  
D8/356, 363, 367, 373, 380, 383, 387, 394,  
D8/396  
CPC ..... G03B 17/56; G03B 17/561–17/568;  
G02B 7/00–7/002; H04N 5/2253–5/2254;  
F16M 11/04–11/12  
See application file for complete search history.

(56) **References Cited**

U.S. PATENT DOCUMENTS

D426,235 S \* 6/2000 Phirippidis ..... D14/253  
D449,514 S \* 10/2001 Thalenfeld ..... D8/367  
D470,397 S \* 2/2003 Valiulis ..... D8/371

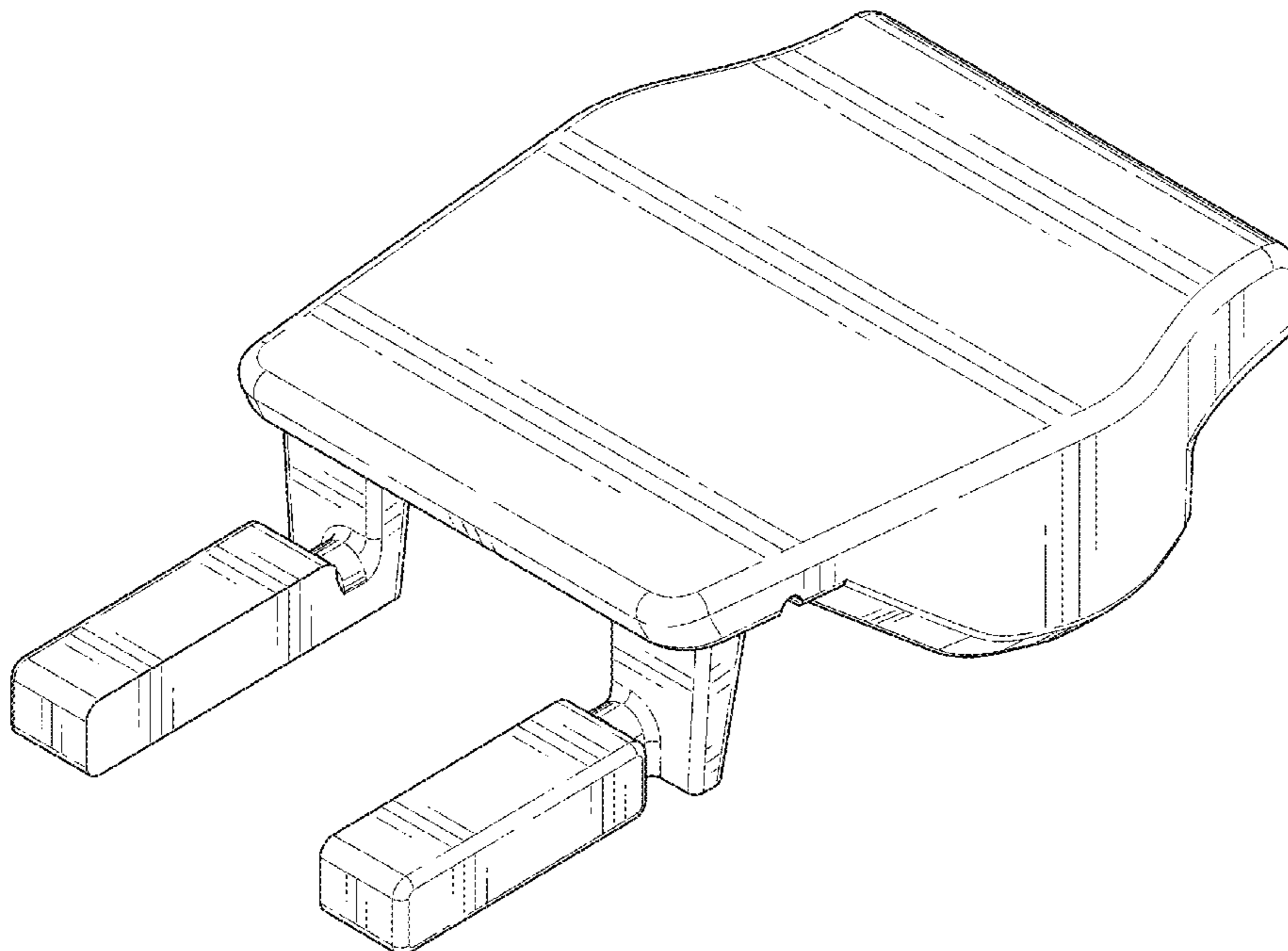
(57) **CLAIM**

The ornamental design for a plug for camera mount, as shown and described.

**DESCRIPTION**

FIG. 1 is a front, top, and right side perspective view of a plug for camera mount;  
FIG. 2 is a rear, bottom, and left side perspective view thereof;  
FIG. 3 is a front elevational view thereof;  
FIG. 4 is a rear elevational view thereof;  
FIG. 5 is a left side elevational view thereof;  
FIG. 6 is a right side elevational view thereof;  
FIG. 7 is a top plan view thereof; and,  
FIG. 8 is a bottom plan view thereof.

**1 Claim, 8 Drawing Sheets**



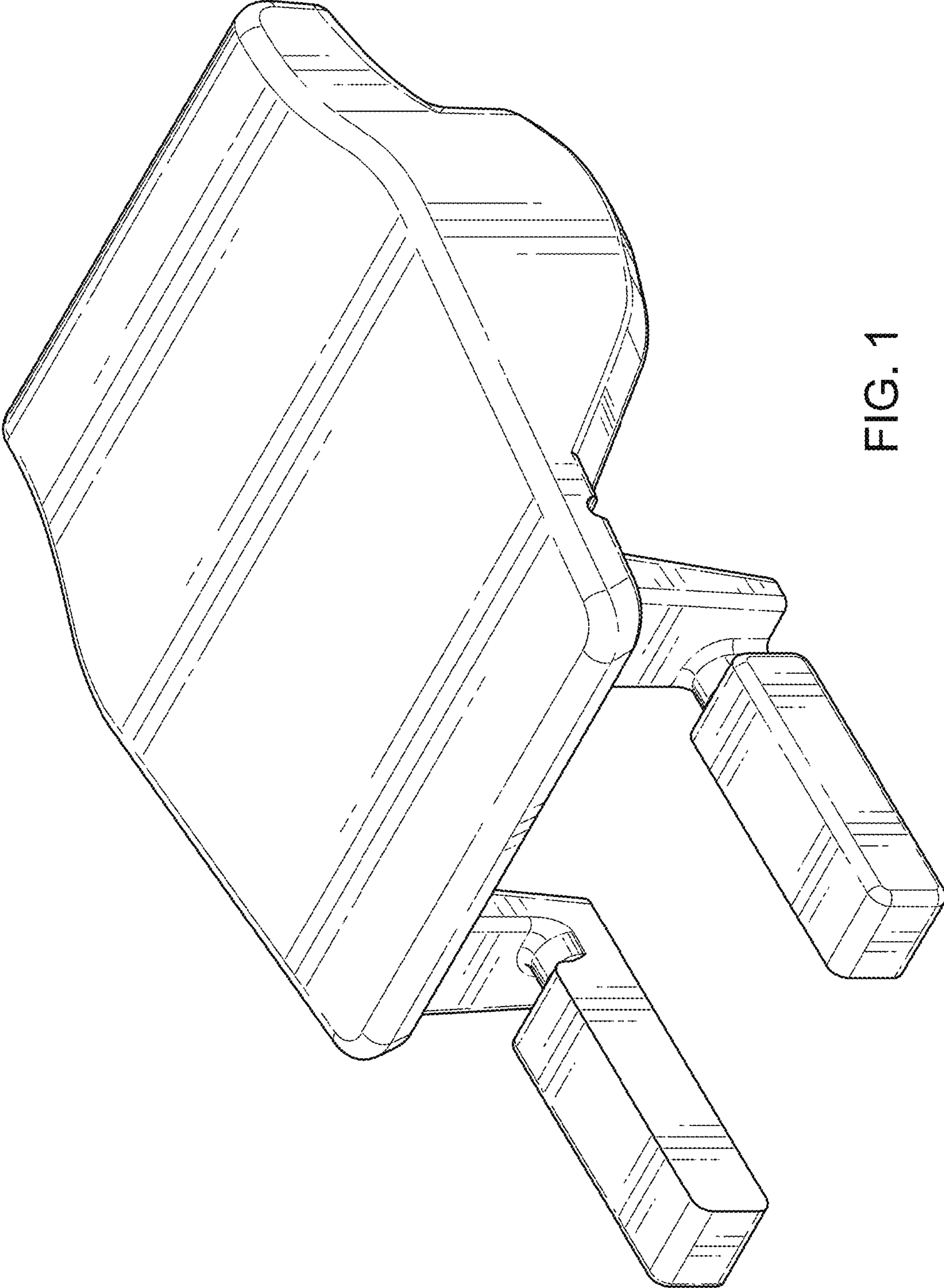


FIG. 1

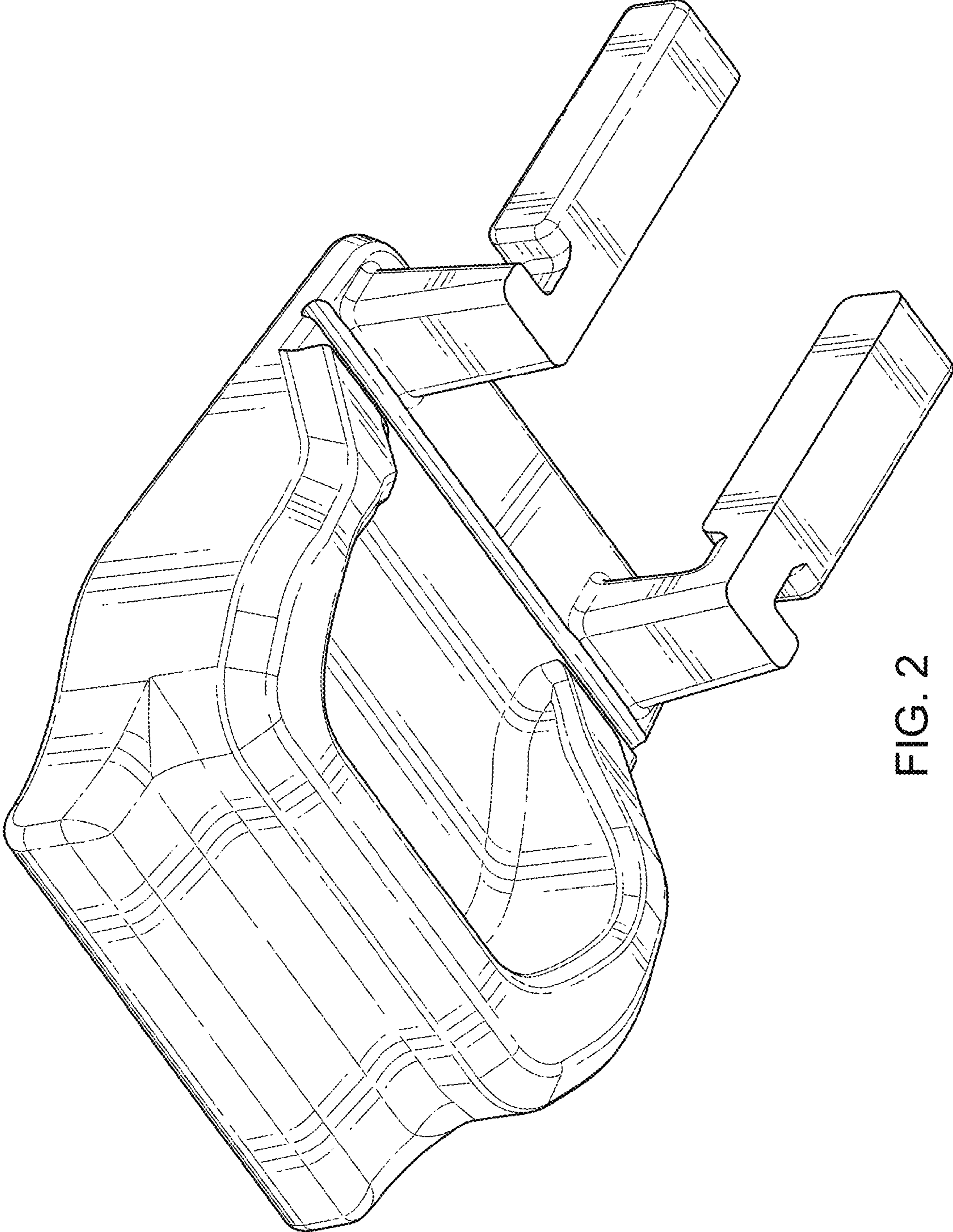


FIG. 2

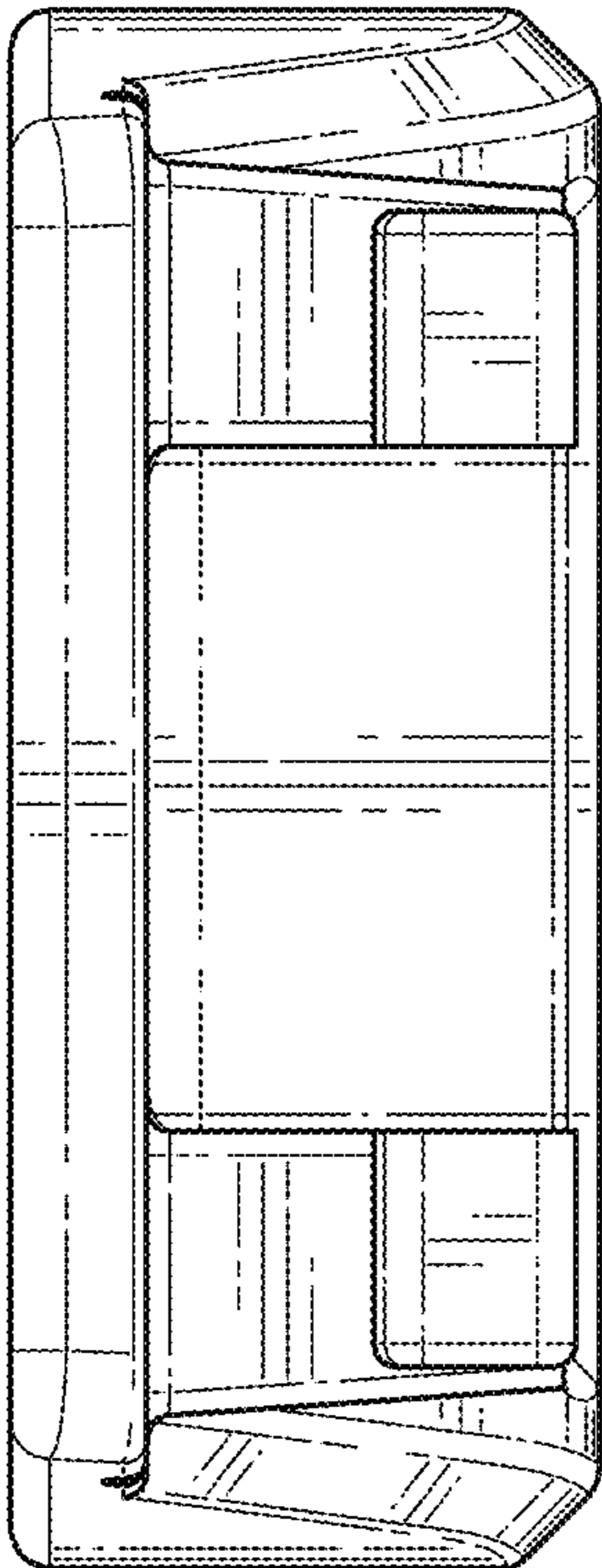


FIG. 3

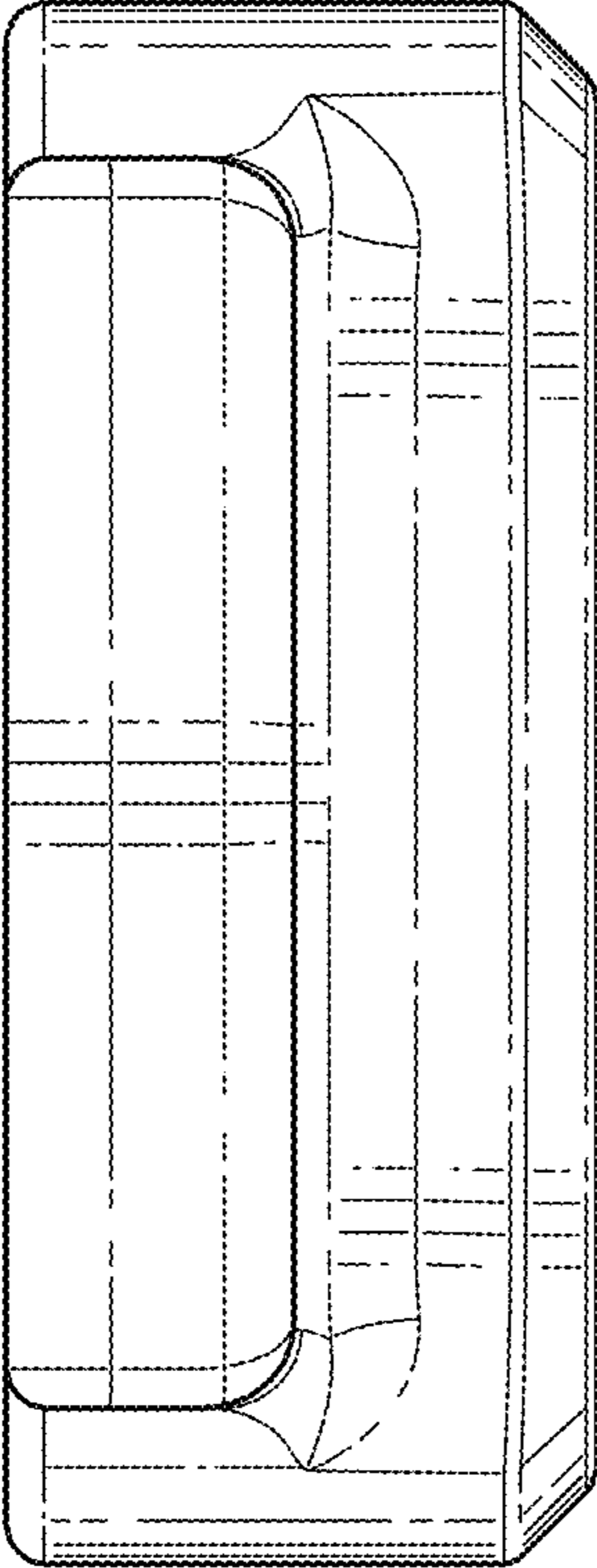


FIG. 4

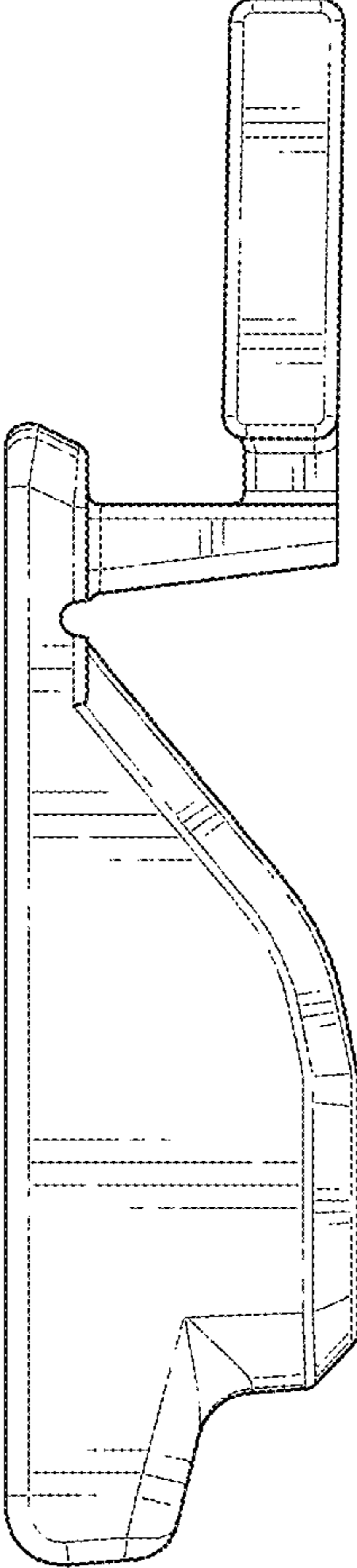


FIG. 5

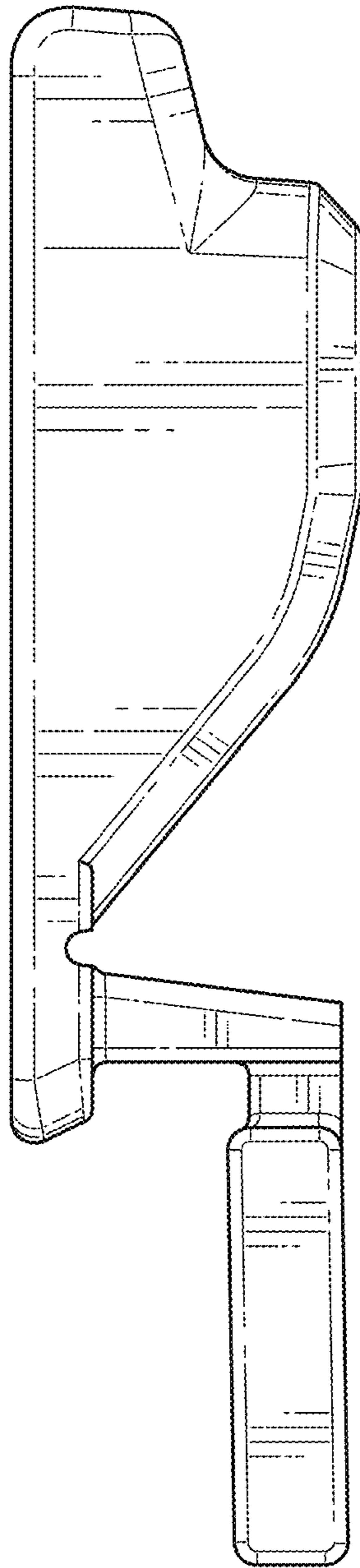


FIG. 6

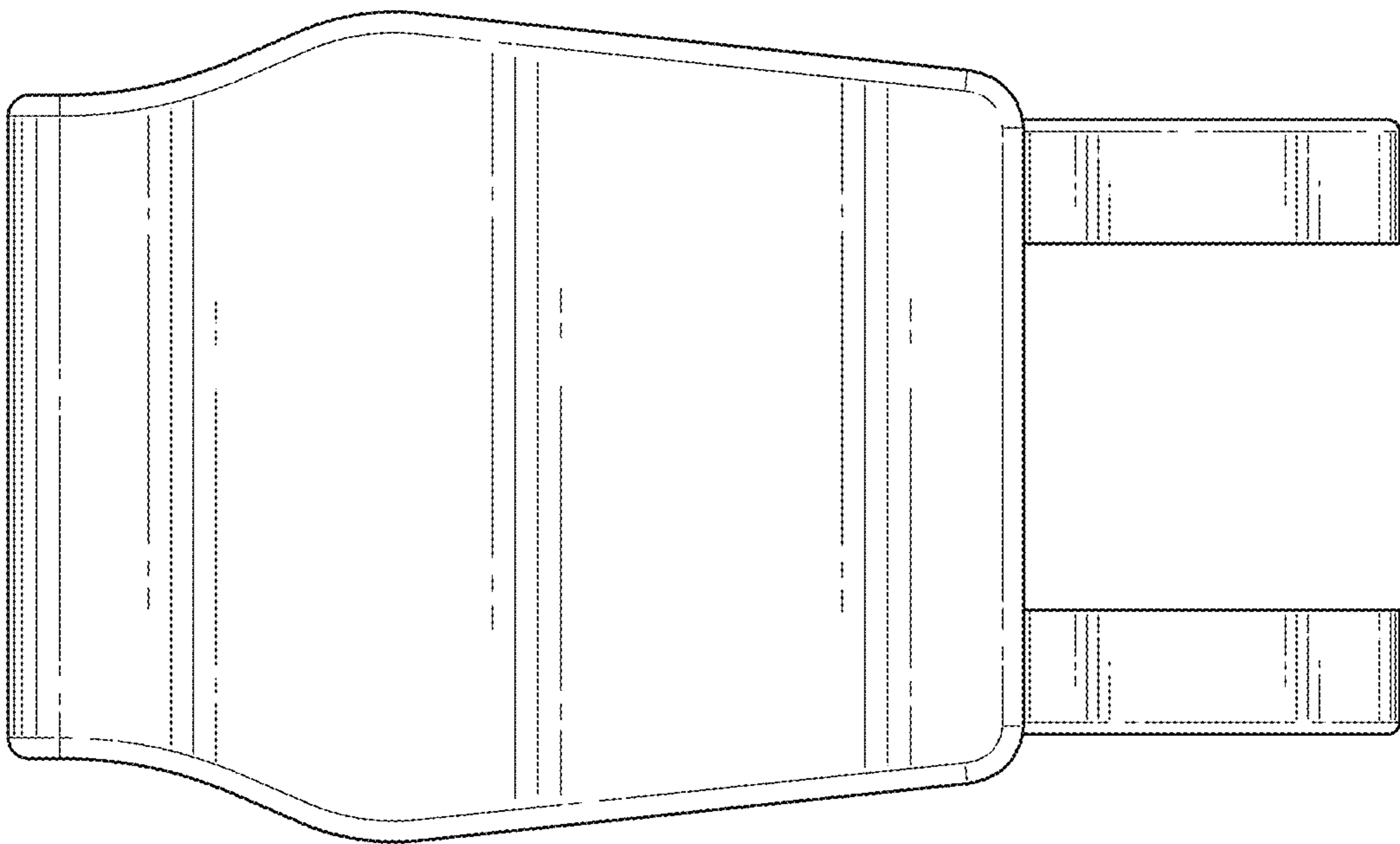


FIG. 7



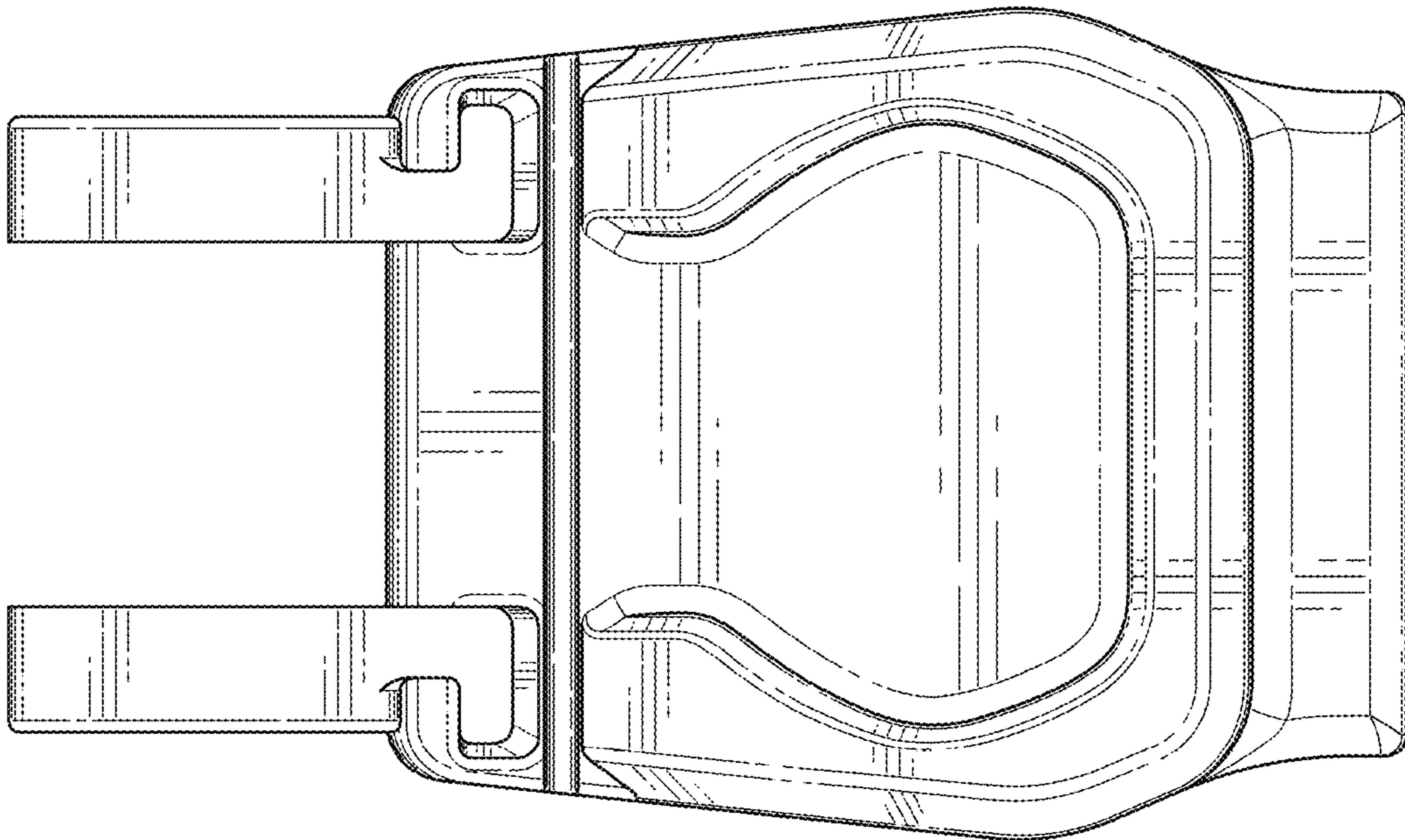


FIG. 8