



US00D768752S

(12) **United States Design Patent** (10) **Patent No.:** **US D768,752 S**
Silver (45) **Date of Patent:** **** Oct. 11, 2016**

- (54) **CAMERA EXTENSION PACK**
- (71) Applicant: **GoPro, Inc.**, San Mateo, CA (US)
- (72) Inventor: **Adam Silver**, San Carlos, CA (US)
- (73) Assignee: **GoPro, Inc.**, San Mateo, CA (US)
- (**) Term: **14 Years**
- (21) Appl. No.: **29/514,655**
- (22) Filed: **Jan. 15, 2015**
- (51) **LOC (10) Cl.** **16-01**
- (52) **U.S. Cl.**
USPC **D16/237**
- (58) **Field of Classification Search**
USPC D3/267; D16/200, 202-204, 208, 211,
D16/218, 219, 237, 242; 206/316.2;
248/176.1, 187.1; 348/81, 373-376;
396/25, 27, 29, 419, 535, 539-541
CPC G03B 15/03; G03B 17/02; G03B 17/04;
G03B 17/08; G03B 17/56; G03B 19/04;
H04N 5/2251; H04N 5/2252; H04N 5/2253;
H04N 5/2254; A45C 11/38
See application file for complete search history.

(56) **References Cited**

U.S. PATENT DOCUMENTS

| | | | | |
|--------------|---------|---------|-------|---------|
| D646,313 S * | 10/2011 | Woodman | | D16/200 |
| D657,808 S * | 4/2012 | Woodman | | D16/200 |
| D659,867 S * | 5/2012 | Zhan | | D16/239 |
| D677,815 S * | 3/2013 | Zhan | | D16/239 |
| D702,747 S * | 4/2014 | Woodman | | D16/200 |
| D710,921 S * | 8/2014 | Gioscia | | D16/200 |
| D710,922 S * | 8/2014 | Gioscia | | D16/200 |
| D725,169 S * | 3/2015 | Gioscia | | D16/200 |
| D727,909 S * | 4/2015 | Woodman | | D14/434 |
| D734,799 S * | 7/2015 | Woodman | | D16/200 |
| D735,790 S * | 8/2015 | Gioscia | | D16/219 |

| | | | | |
|-------------------|---------|---------|-------|--------------------------|
| D739,451 S * | 9/2015 | Gioscia | | D16/200 |
| D740,868 S * | 10/2015 | Gioscia | | D16/200 |
| D740,876 S * | 10/2015 | Woodman | | D16/200 |
| D744,578 S * | 12/2015 | Zhan | | D16/237 |
| 9,213,218 B1 * | 12/2015 | Coons | | G03B 17/08 |
| 2007/0071423 A1 * | 3/2007 | Fantone | | G03B 17/08 396/27 |
| 2015/0326748 A1 * | 11/2015 | Tisch | | H04N 1/2112 348/231.4 |
| 2016/0004142 A1 * | 1/2016 | Zhang | | H04N 5/225 396/535 |

* cited by examiner

Primary Examiner — Susan Bennett Hattan

Assistant Examiner — Leanne Was

(74) *Attorney, Agent, or Firm* — Fenwick & West LLP

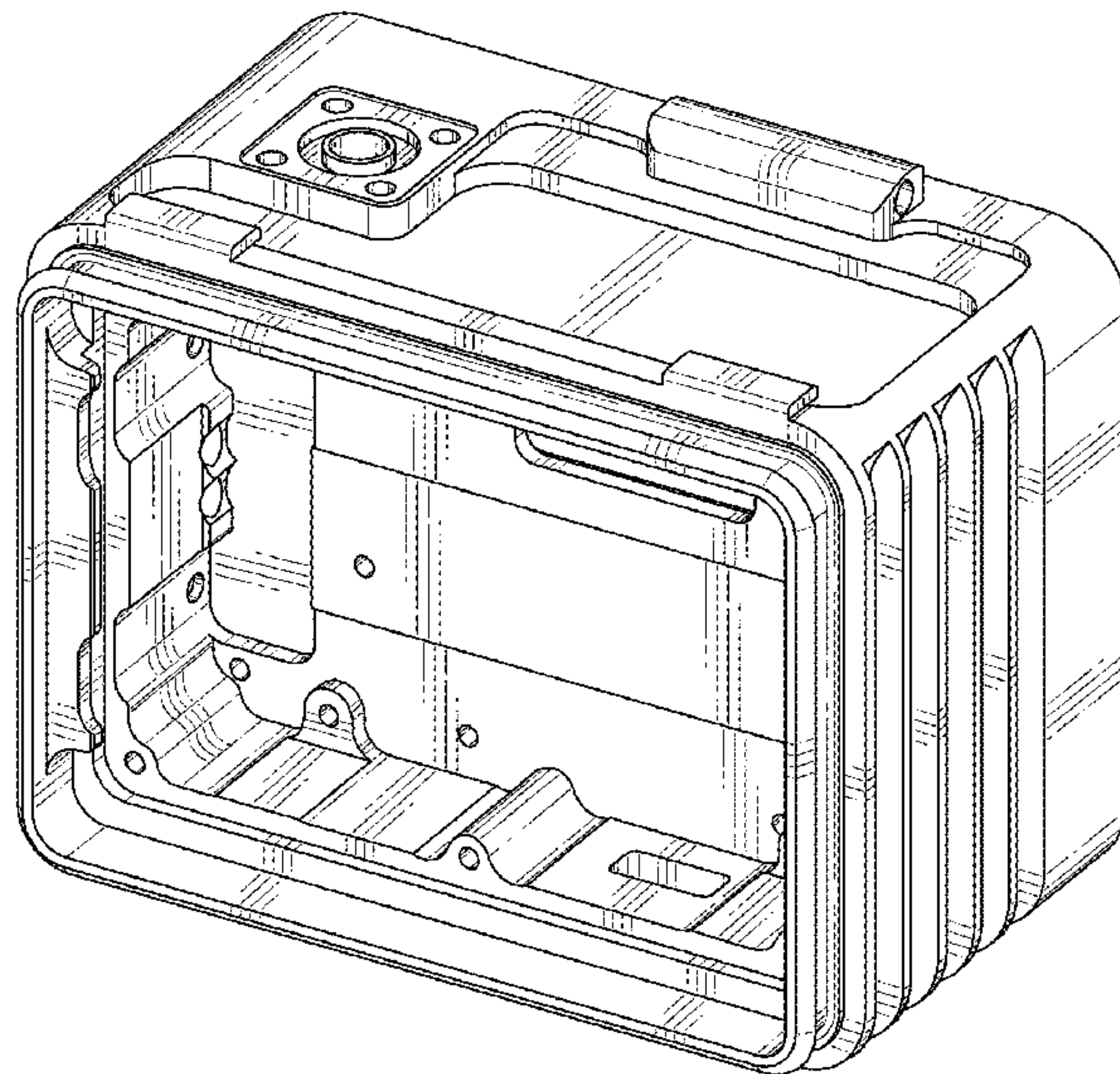
(57) **CLAIM**

The ornamental design for a camera extension pack, as shown and described.

DESCRIPTION

FIG. 1 is a front, top, and right side perspective view of a camera extension pack showing our new design;
 FIG. 2 is a front, bottom, and left side perspective view thereof;
 FIG. 3 is a rear, top, and left side perspective view thereof;
 FIG. 4 is a rear, bottom, and right side perspective view thereof;
 FIG. 5 is a front elevational view thereof;
 FIG. 6 is a rear elevational view thereof;
 FIG. 7 is a right side elevational view thereof;
 FIG. 8 is a left side elevational view thereof;
 FIG. 9 is a top plan view thereof; and,
 FIG. 10 is a bottom plan view thereof.
 The broken lines in the drawings showing portions of the camera extension pack are included for the purpose of illustrating environmental structure and form no part of the claimed design.

1 Claim, 10 Drawing Sheets



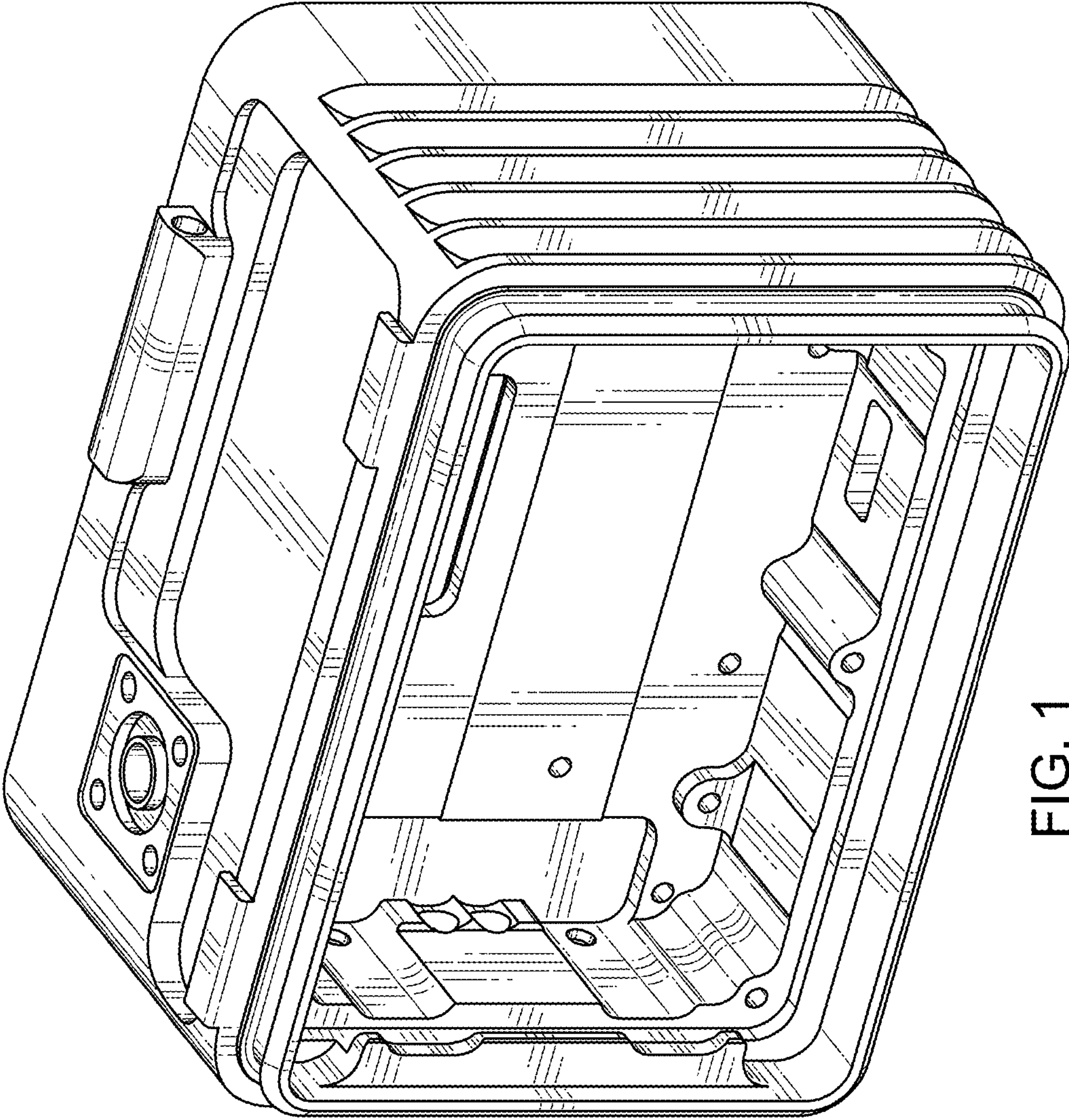


FIG. 1

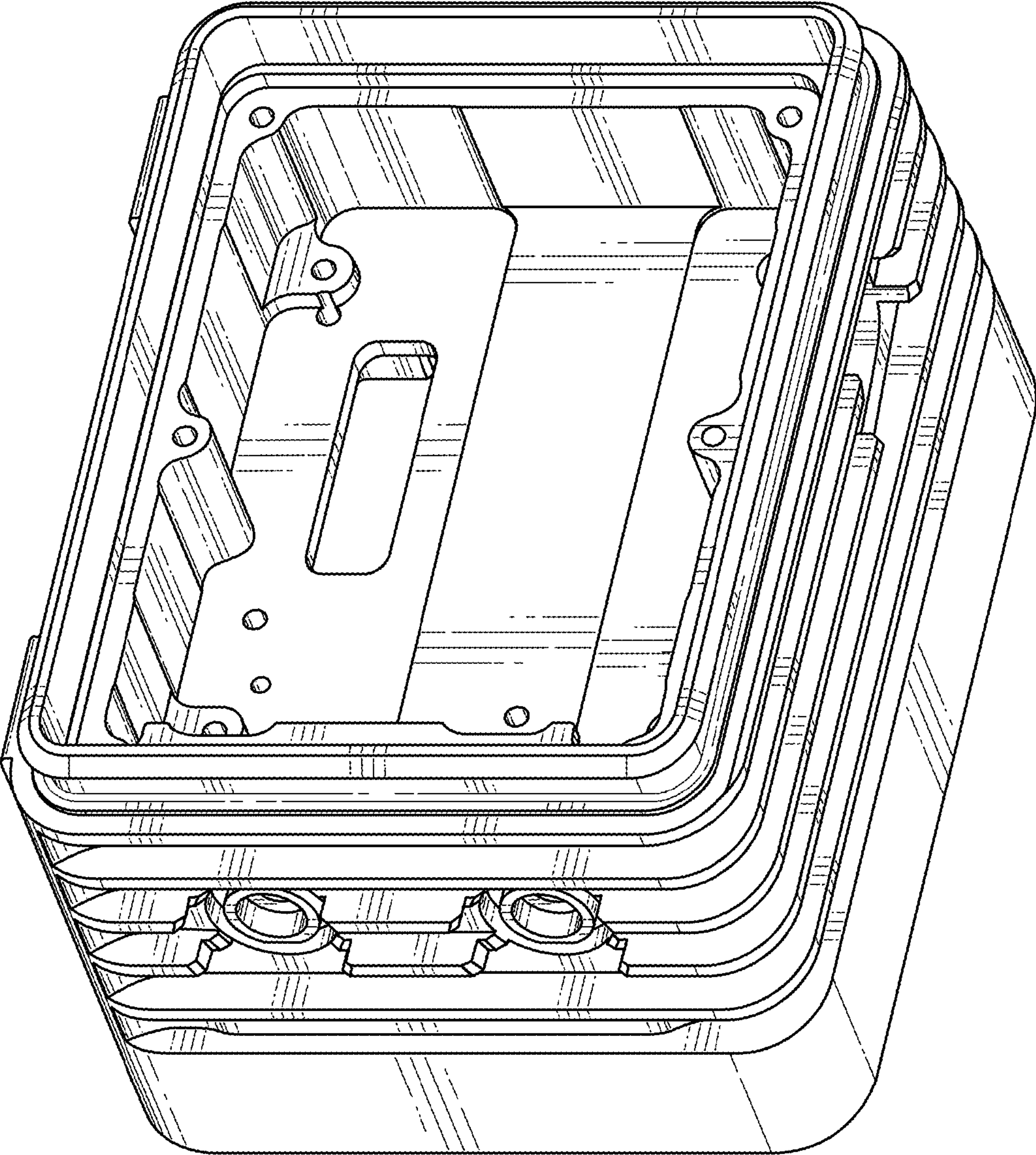


FIG. 2

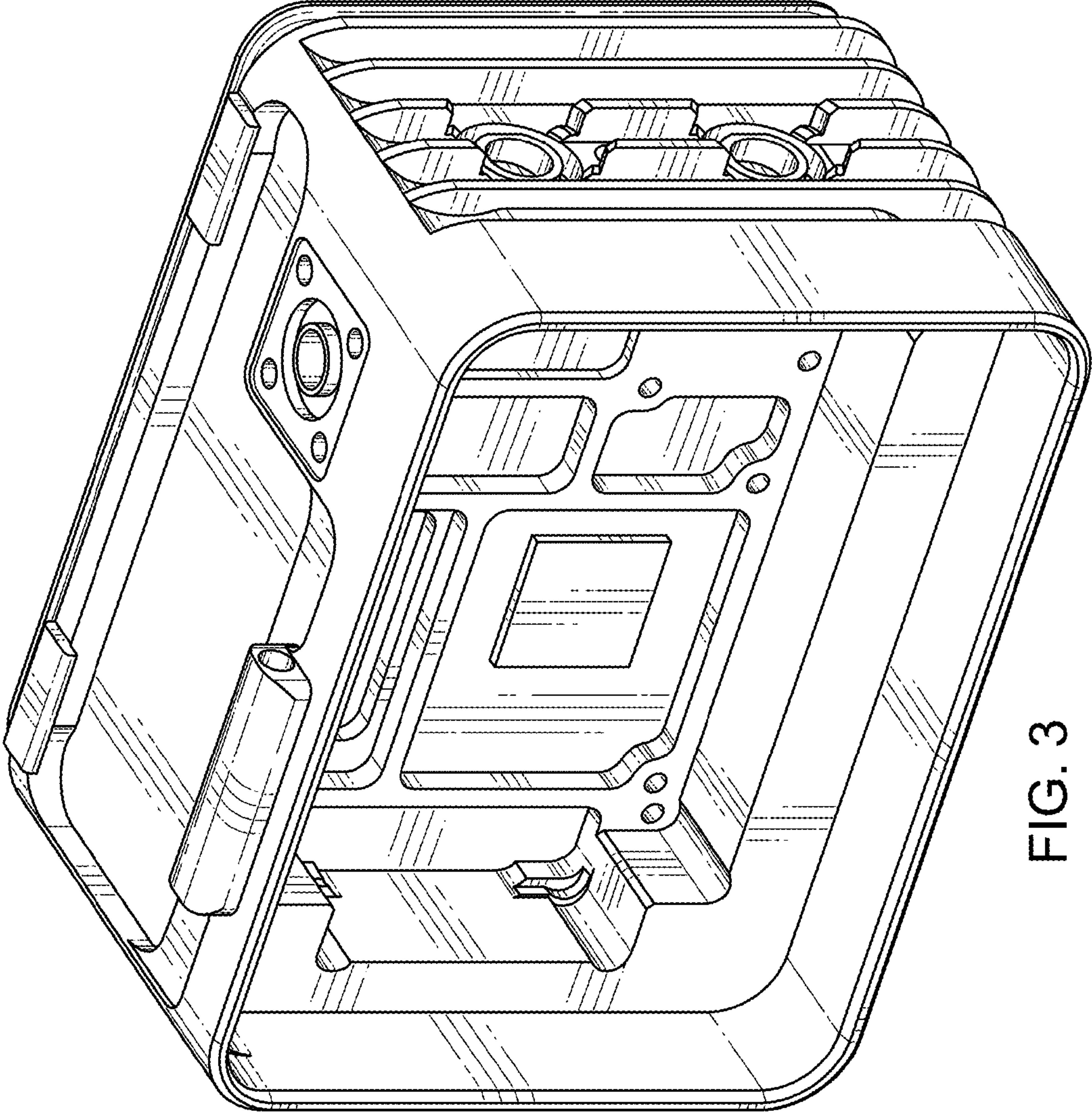


FIG. 3

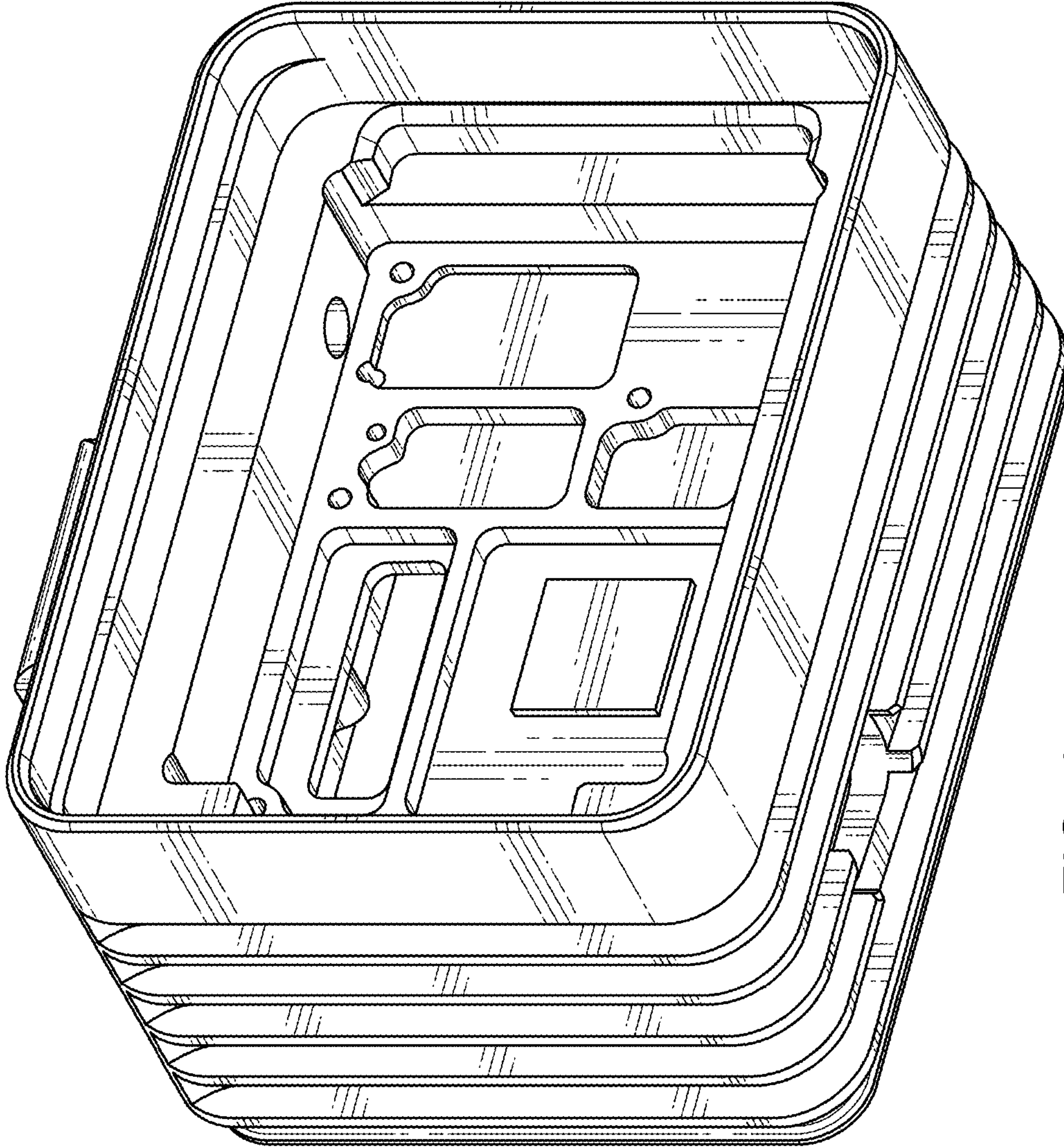


FIG. 4

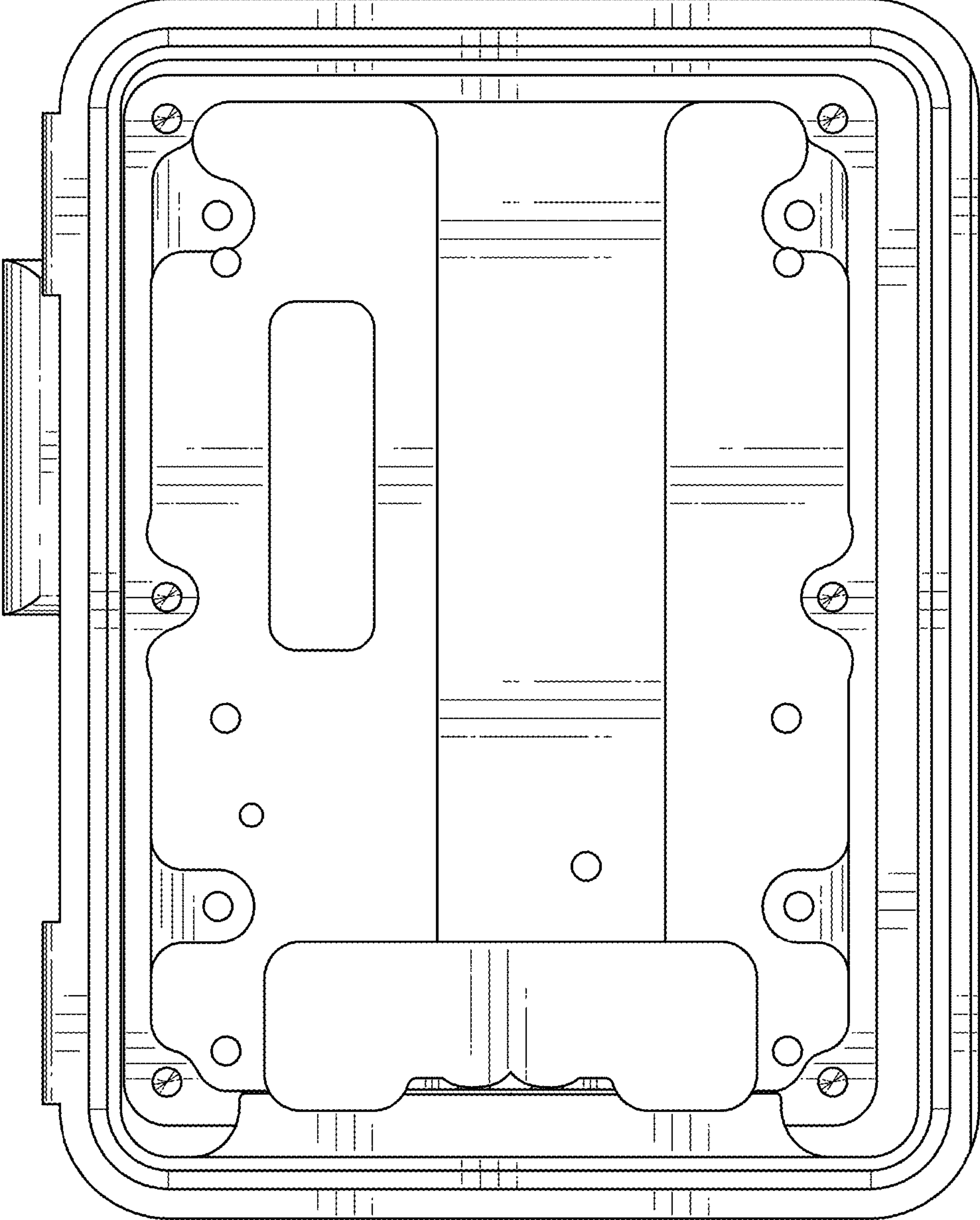


FIG. 5

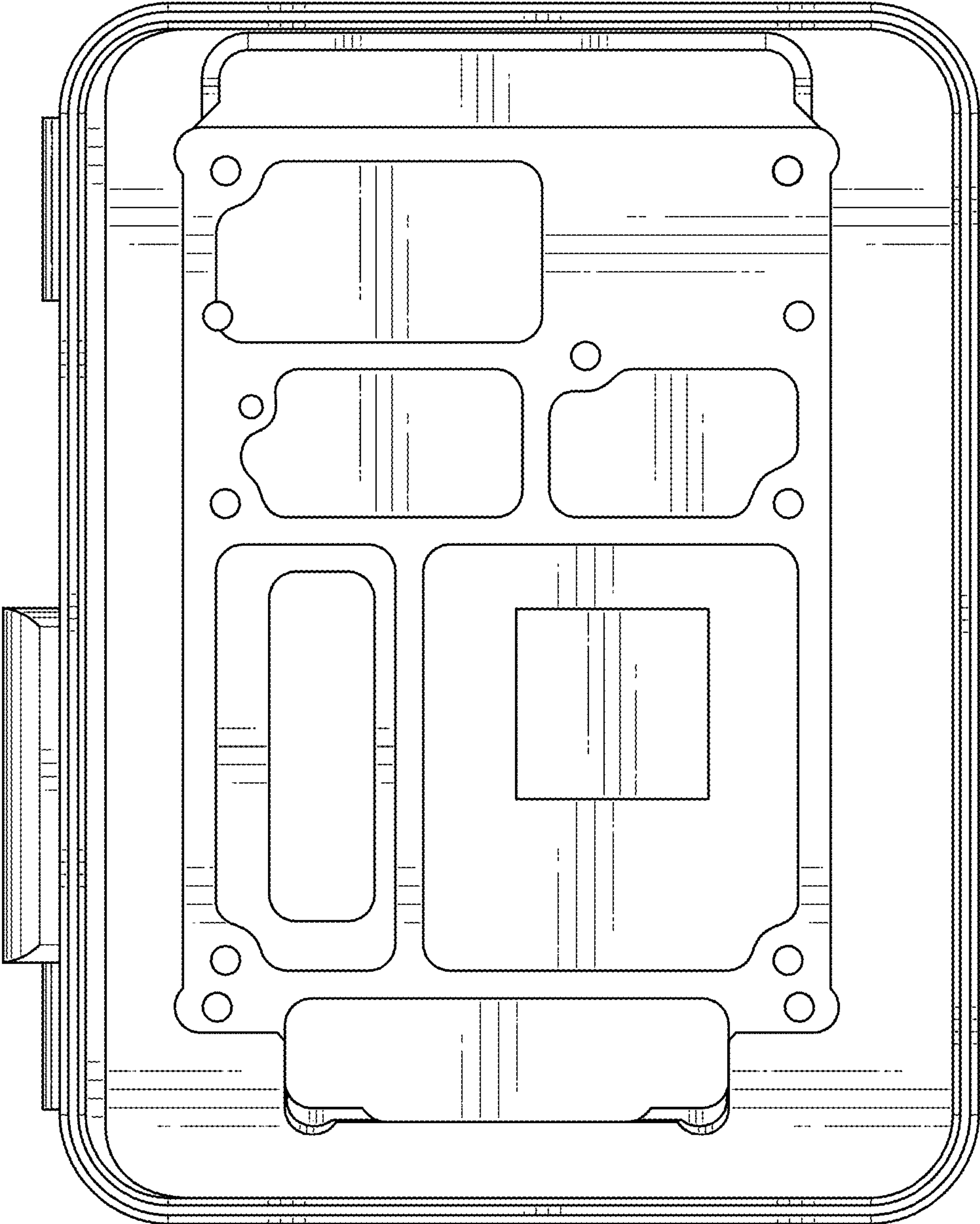


FIG. 6

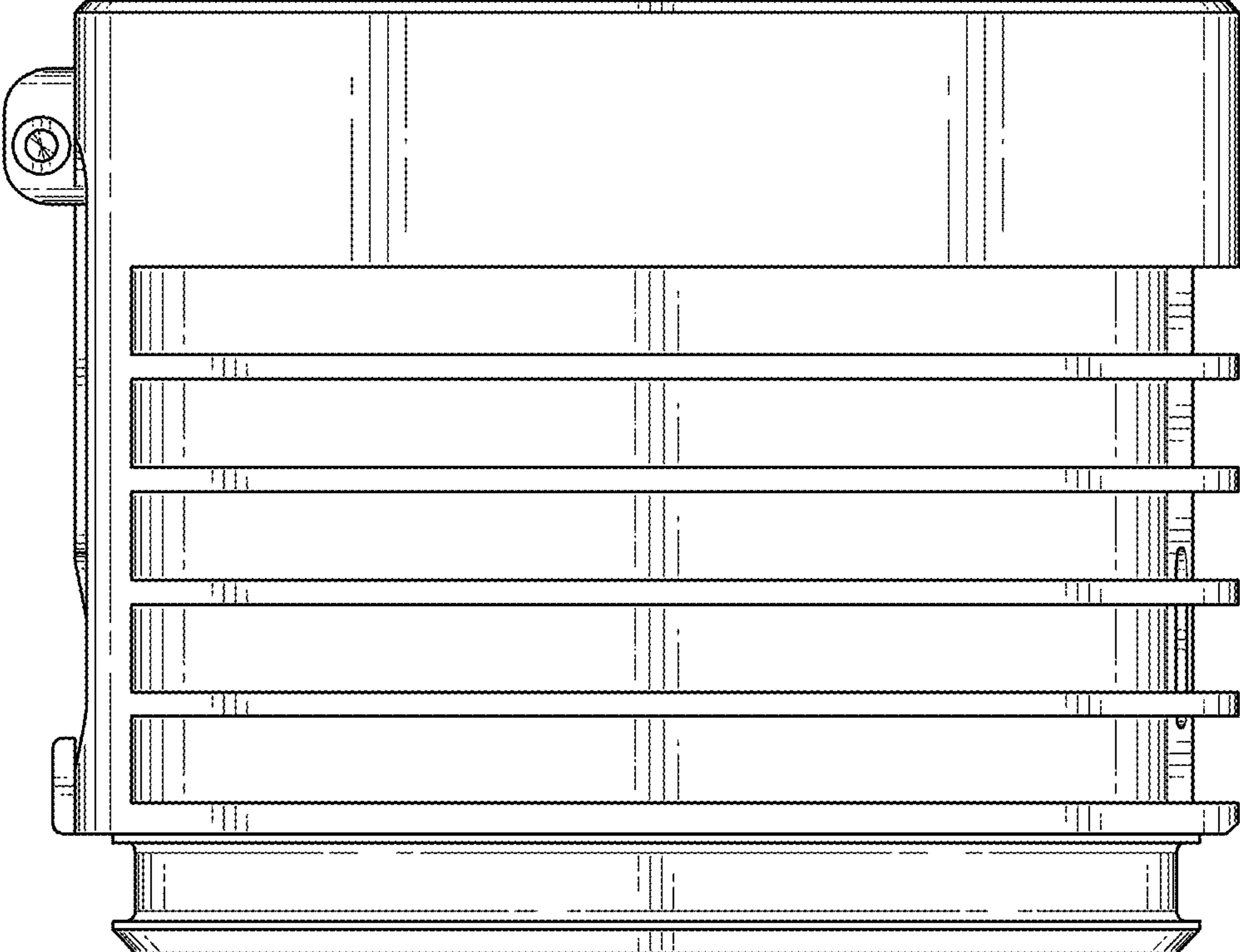


FIG. 7

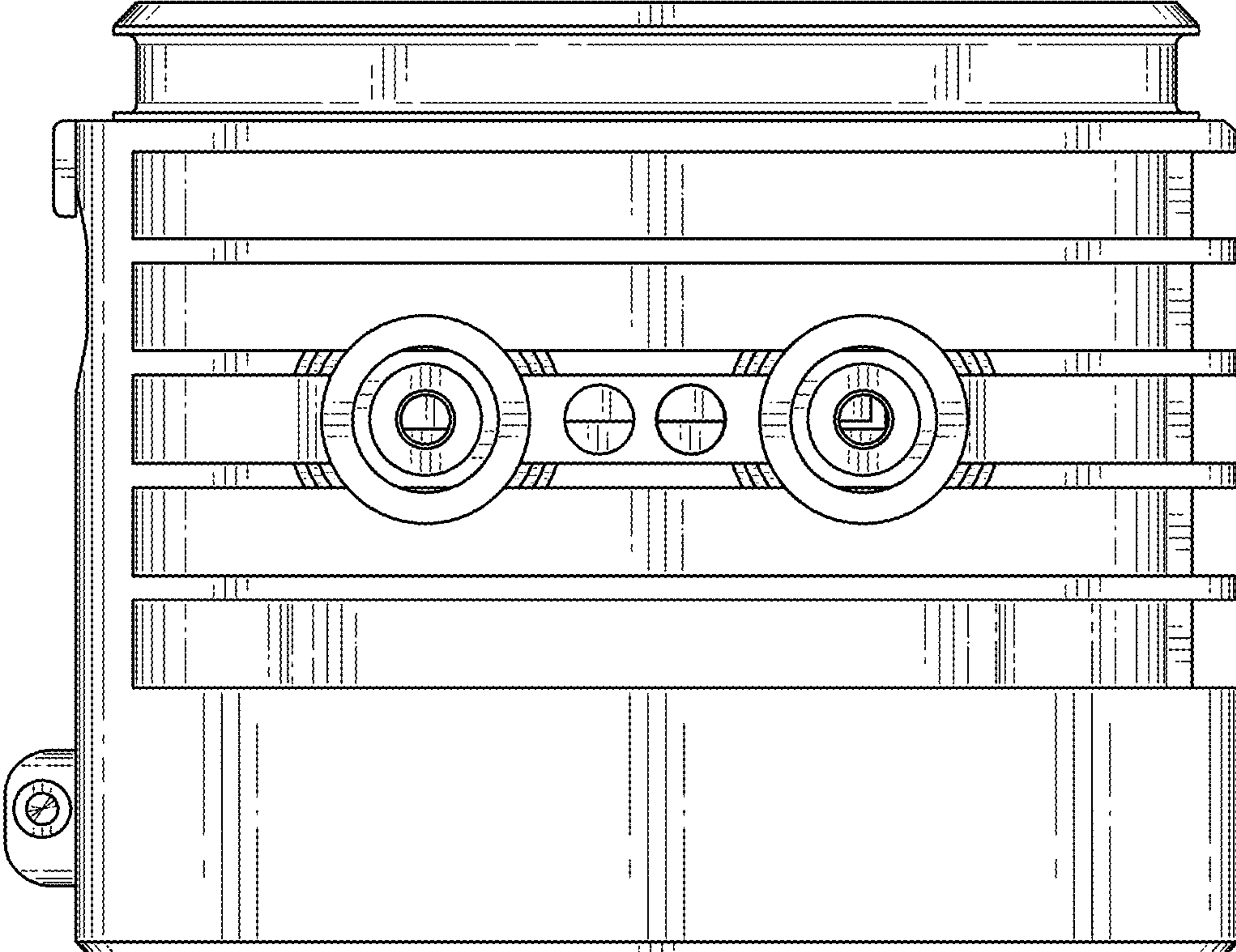


FIG. 8

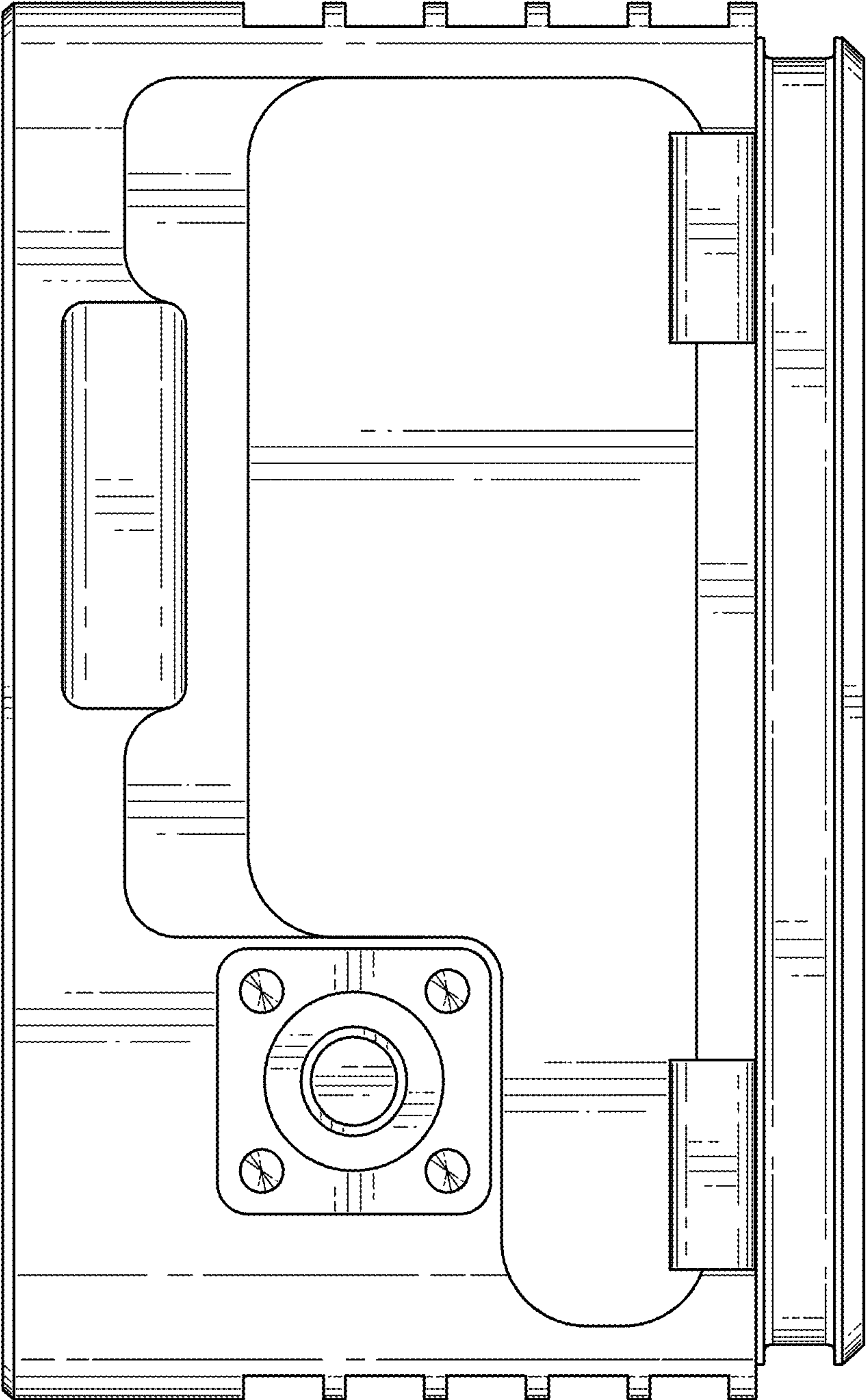


FIG. 9

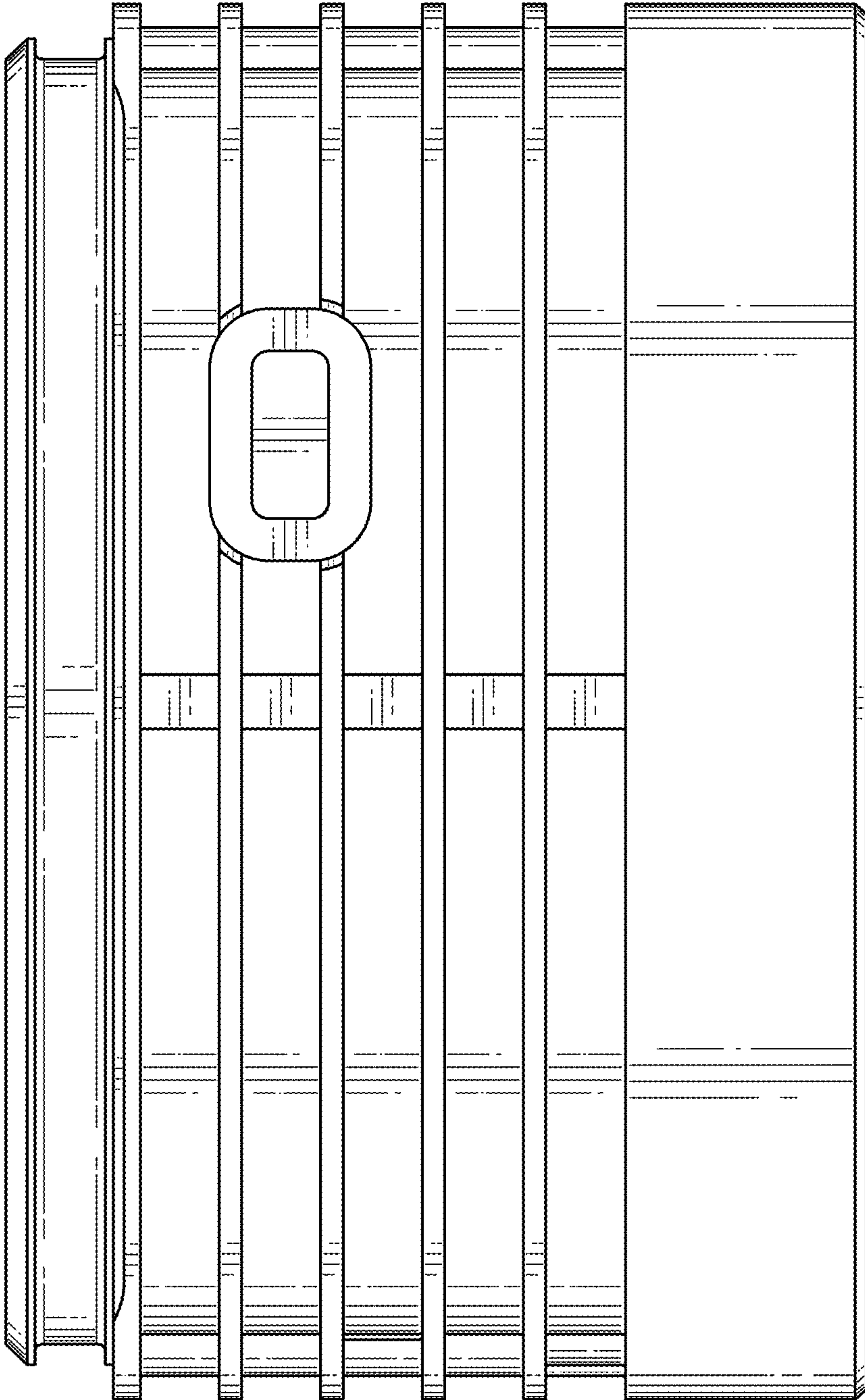


FIG. 10