



US00D768749S

(12) **United States Design Patent**
Koppetz et al.

(10) **Patent No.:** **US D768,749 S**

(45) **Date of Patent:** **** Oct. 11, 2016**

(54) **CAMERA BODY**

(71) Applicant: **Arnold & Richter Cine Technik GmbH & Co. Betriebs KG**, Munich (DE)

(72) Inventors: **Michael Koppetz**, München (DE);
Timo Sperber, Munich (DE)

(73) Assignee: **Arnold & Richter Cine Technik GmbH & Co. Betriebs KG**, Munich (DE)

(**) Term: **14 Years**

(21) Appl. No.: **29/466,726**

(22) Filed: **Sep. 11, 2013**

(51) **LOC (10) Cl.** **16-01**

(52) **U.S. Cl.**
USPC **D16/202**

(58) **Field of Classification Search**
USPC D16/200, 202–208, 210, 218, 219, 242;
348/231.99, 373–376; 358/906;
396/536–538
CPC G03B 17/02; G03B 19/04; G03B 17/56;
G03B 17/04; G03B 15/03; G03B 17/14;
H04N 5/2251; H04N 5/2252; H04N 5/2253;
H04N 5/2254
See application file for complete search history.

(56) **References Cited**

U.S. PATENT DOCUMENTS

- D339,598 S * 9/1993 Shimizu D16/202
- D373,593 S * 9/1996 Hiroko D16/202
- D409,641 S * 5/1999 Uehara D16/202
- D410,936 S * 6/1999 Isono D16/202
- D476,021 S * 6/2003 Masano D16/202
- 6,637,952 B2 * 10/2003 Arbuckle G03B 17/02
348/143
- D508,066 S * 8/2005 Ikenaga D16/202

- D543,223 S * 5/2007 Uchiyama D16/202
- 7,477,318 B2 * 1/2009 Nakamura H04N 5/2252
348/376
- D605,212 S * 12/2009 Mori D16/202
- 8,537,274 B2 * 9/2013 Kosaka H04N 5/2252
348/231.8
- D694,797 S * 12/2013 Parker D16/202

OTHER PUBLICATIONS

Arri Alexa Brochure.
Panavised Sony PMW-F55 Brochure.

* cited by examiner

Primary Examiner — Susan E Krakower
Assistant Examiner — Ramzi Almatrahi

(74) *Attorney, Agent, or Firm* — Dinsmore & Shohl LLP;
Douglas W. Sprinkle

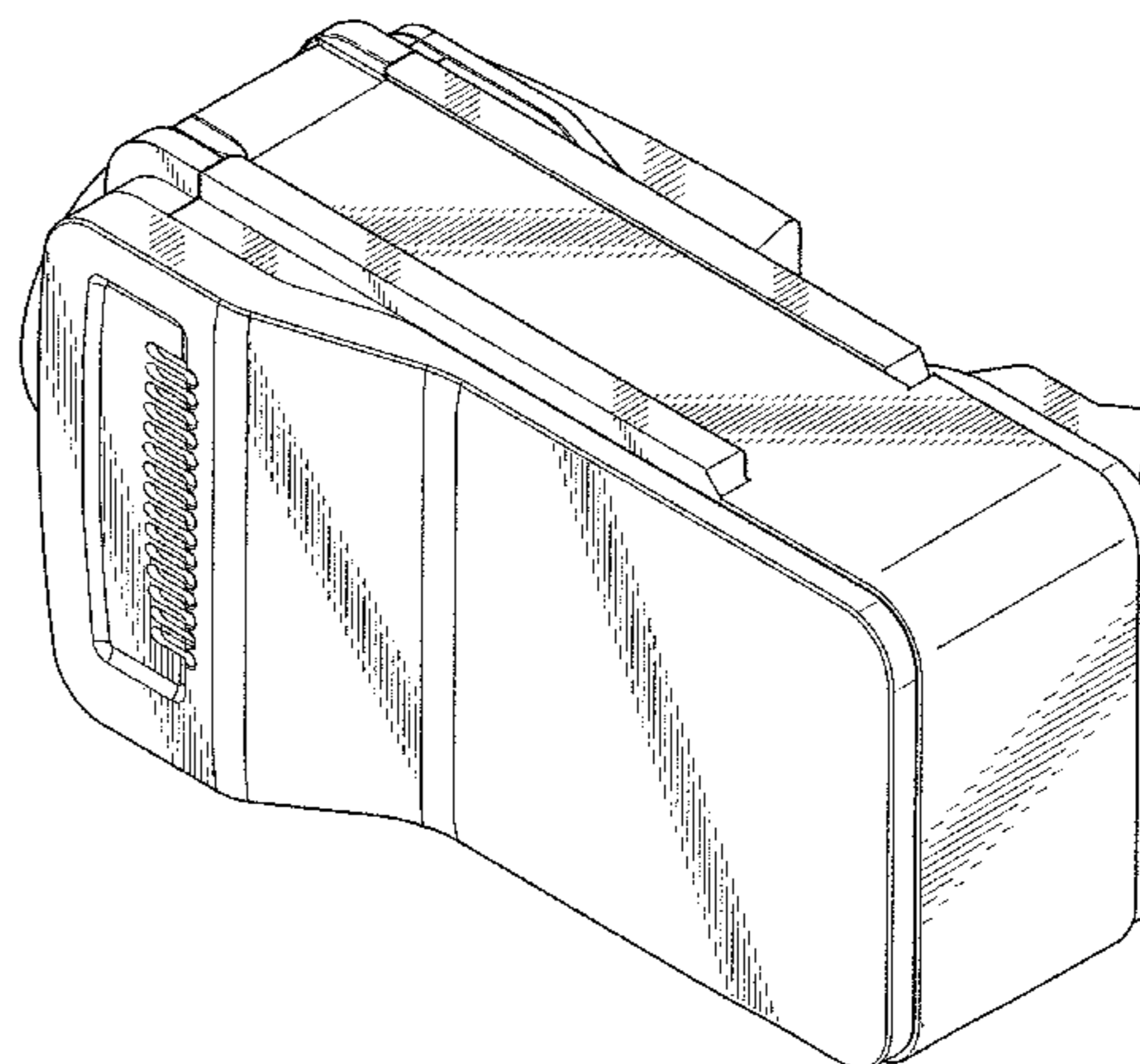
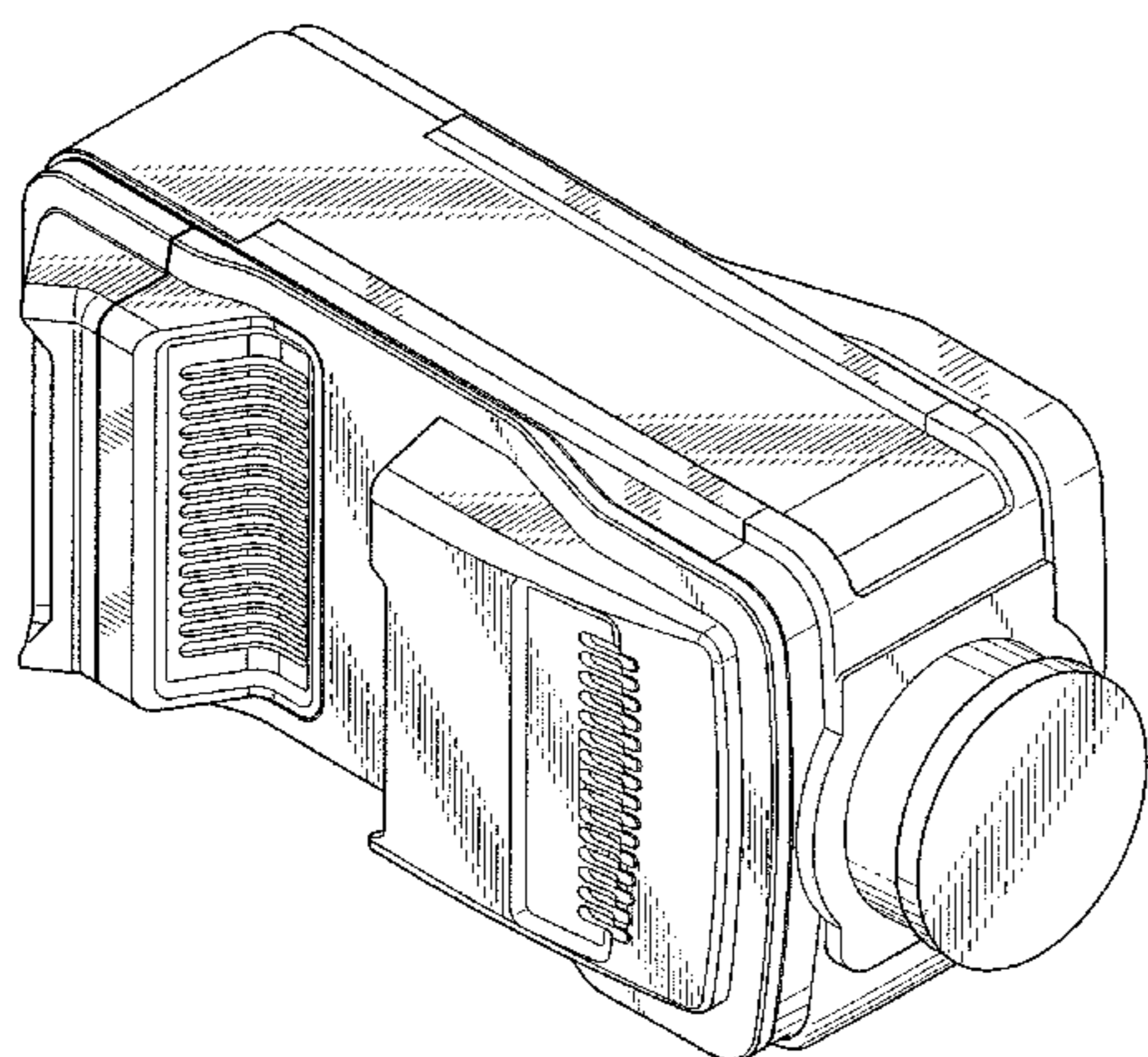
(57) **CLAIM**

The ornamental design for a camera body, as shown and described.

DESCRIPTION

FIG. 1 is a top, front and right side perspective view of a camera body showing our new design;
 FIG. 2 is a top, rear and left side perspective view thereof;
 FIG. 3 is a right side elevation view thereof;
 FIG. 4 is a front elevation view thereof;
 FIG. 5 is a rear elevation view thereof;
 FIG. 6 is a top plan view thereof;
 FIG. 7 is a bottom plan view thereof;
 FIG. 8 is a left side elevation view thereof;
 FIG. 9 is a top, front and right side perspective view thereof, showing the camera body with a different style of surface shading;
 FIG. 10 is a top, rear and left side perspective view thereof;
 FIG. 11 is a right side elevation view thereof;
 FIG. 12 is a front elevation view thereof;
 FIG. 13 is a rear elevation view thereof;
 FIG. 14 is a top plan view thereof;
 FIG. 15 is a bottom plan view thereof; and,
 FIG. 16 is a left side elevation view thereof.

1 Claim, 14 Drawing Sheets



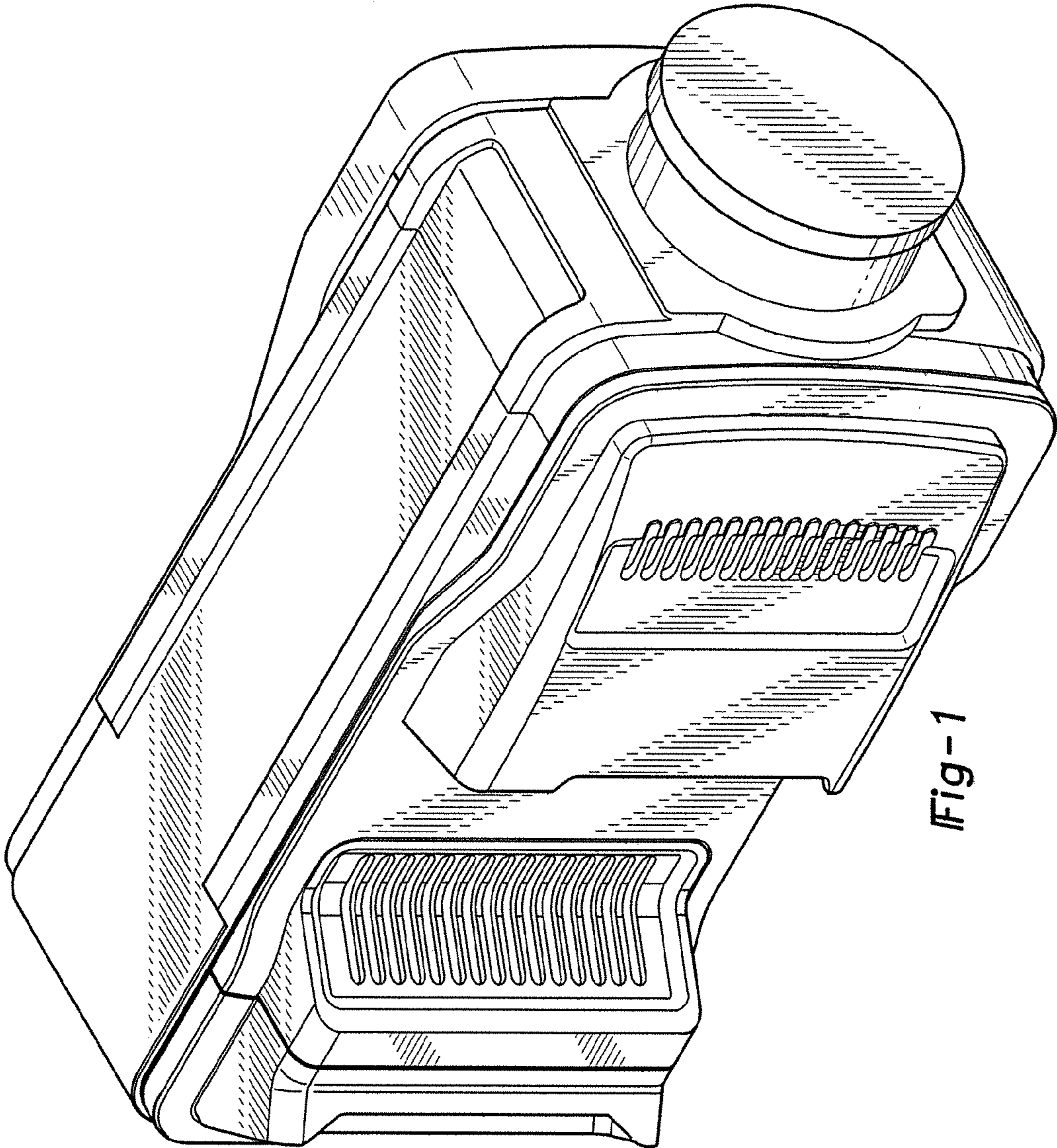


Fig-1

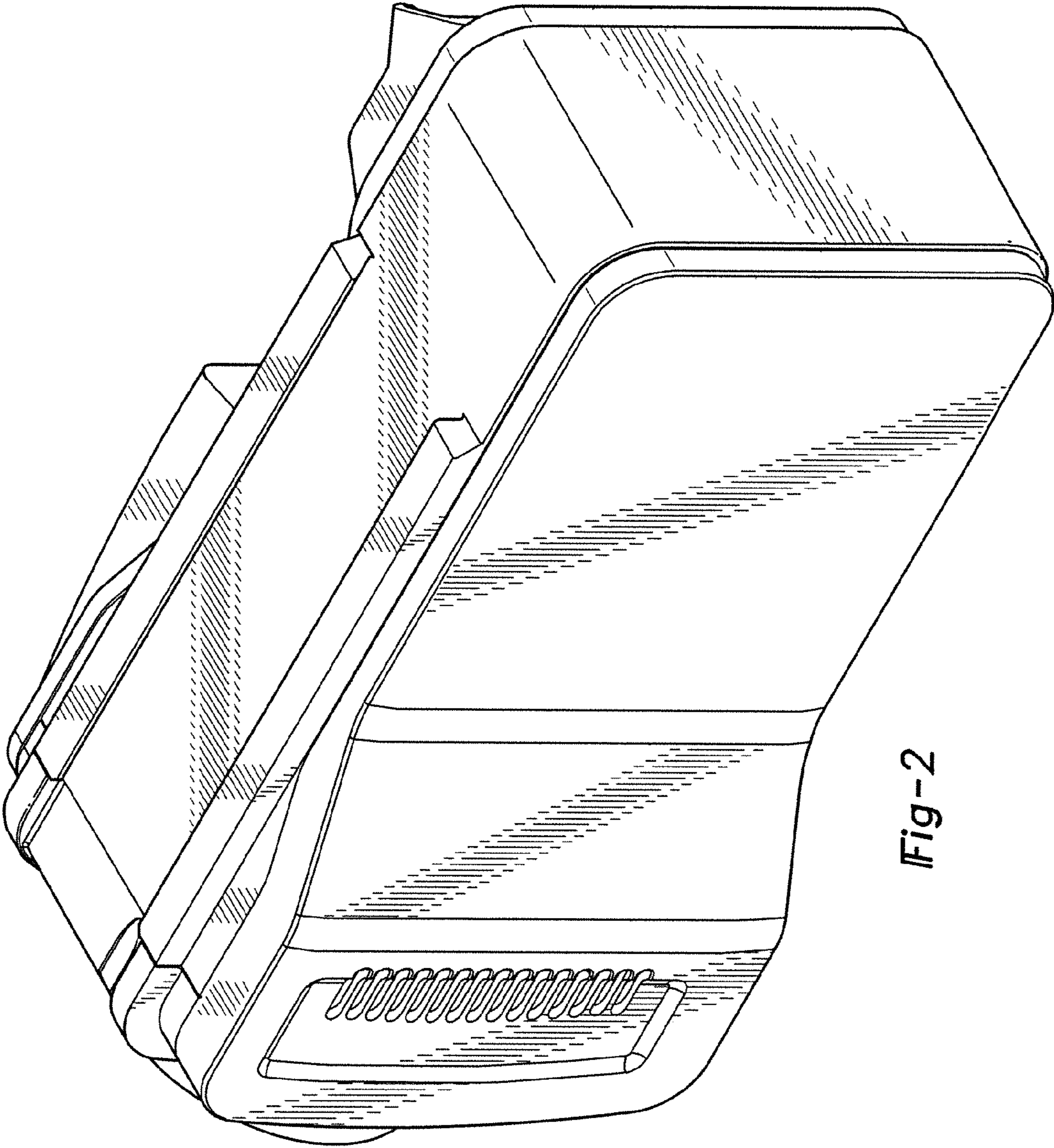


Fig-2

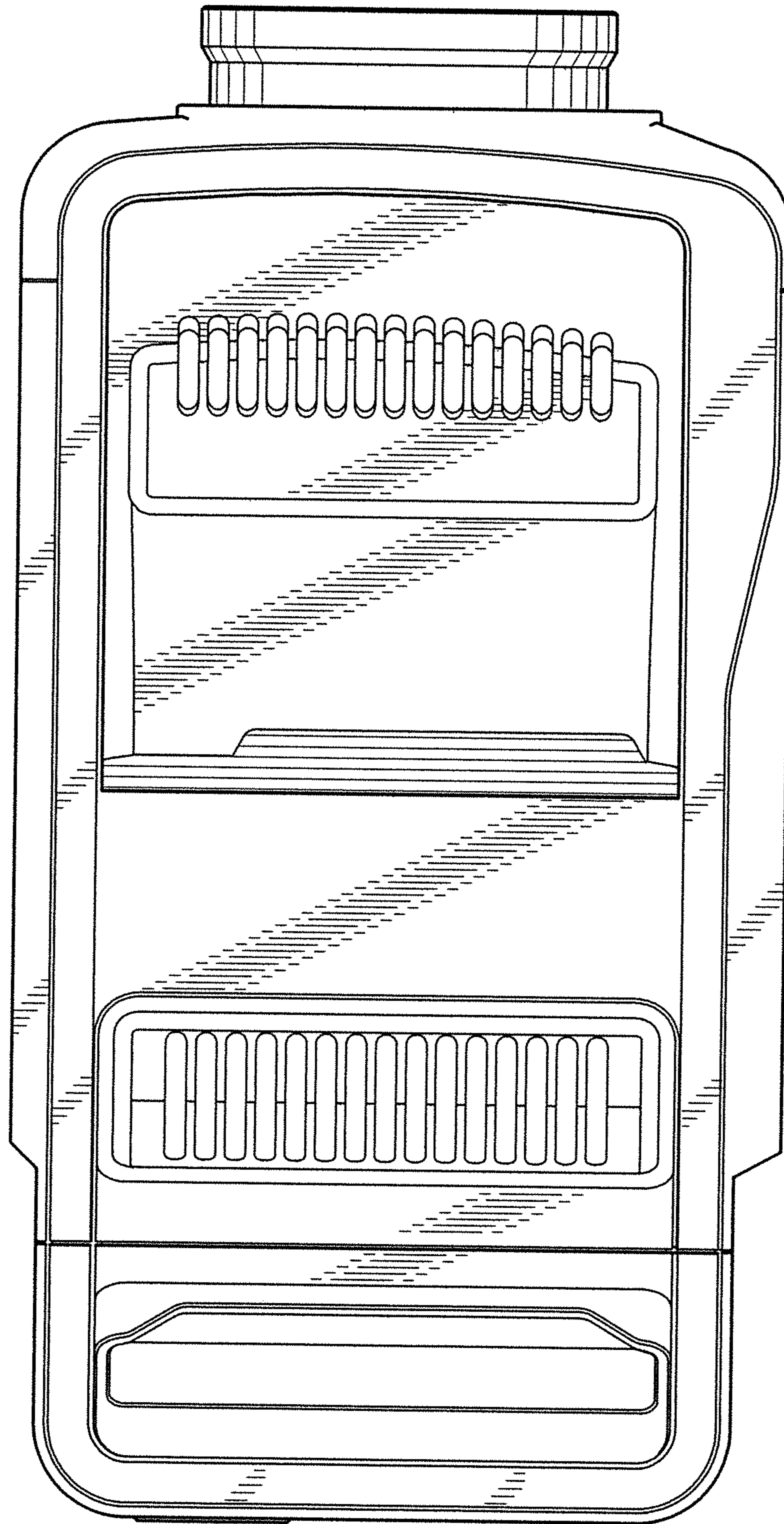


Fig-3

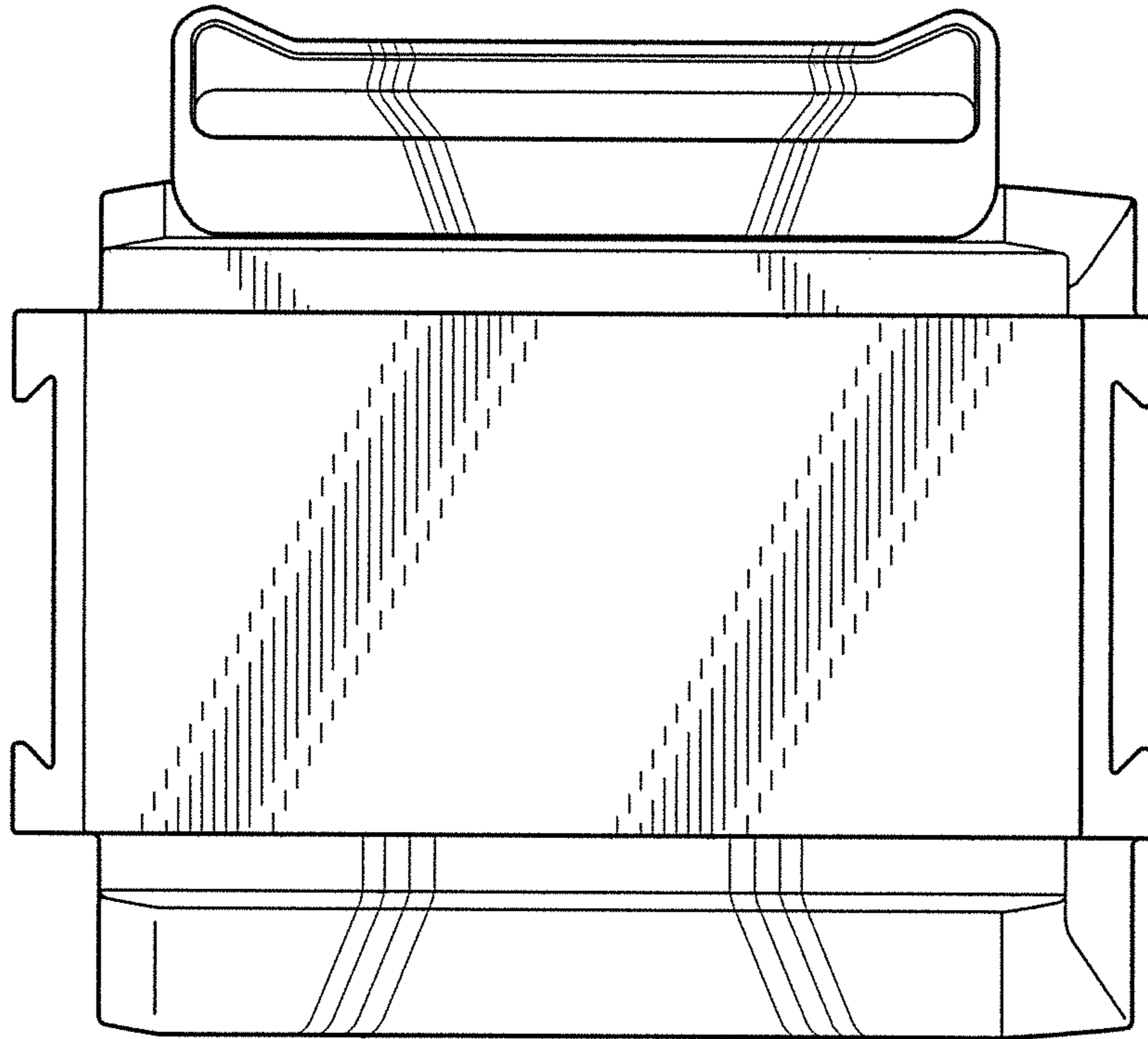


Fig-5

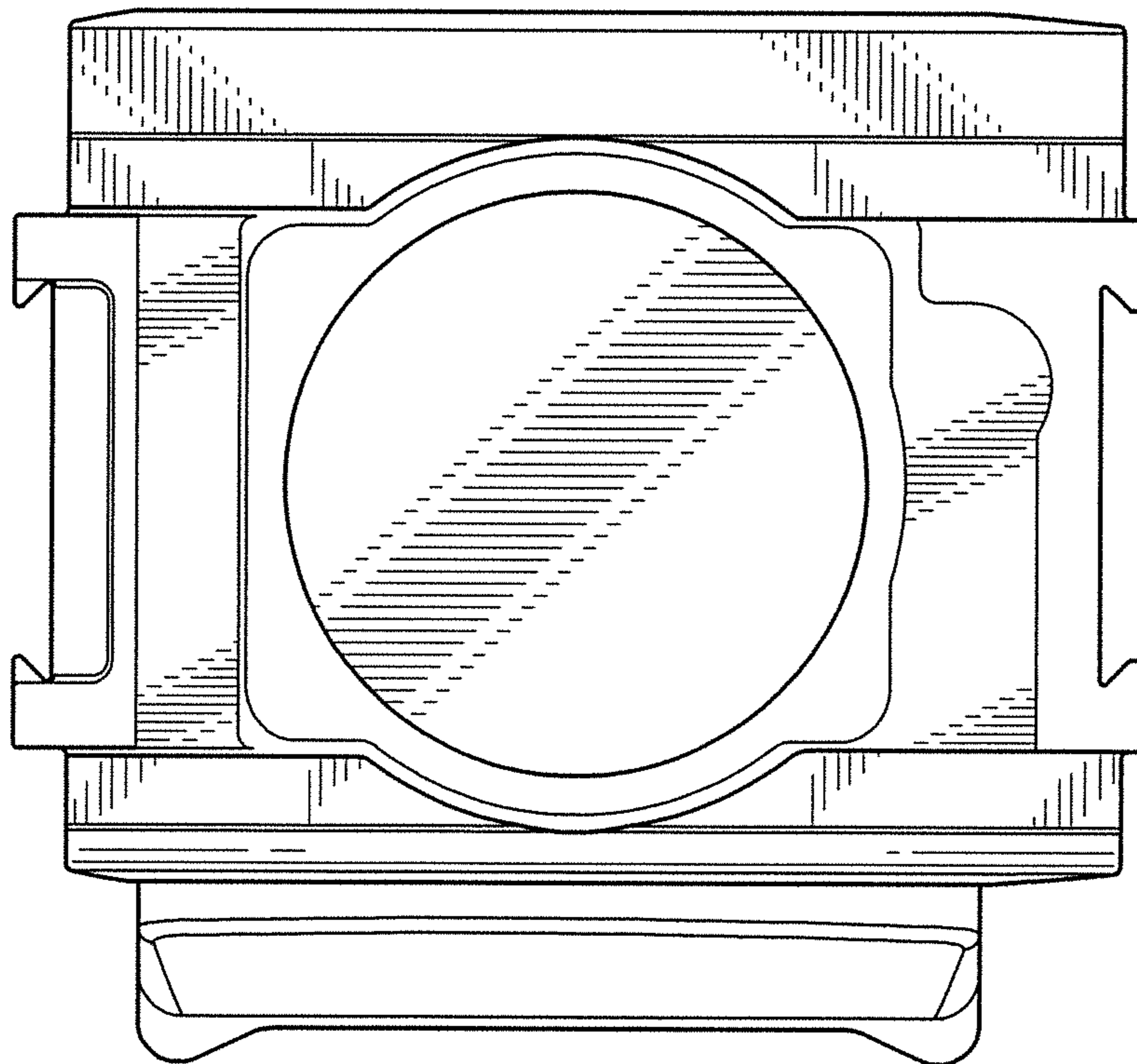


Fig-4

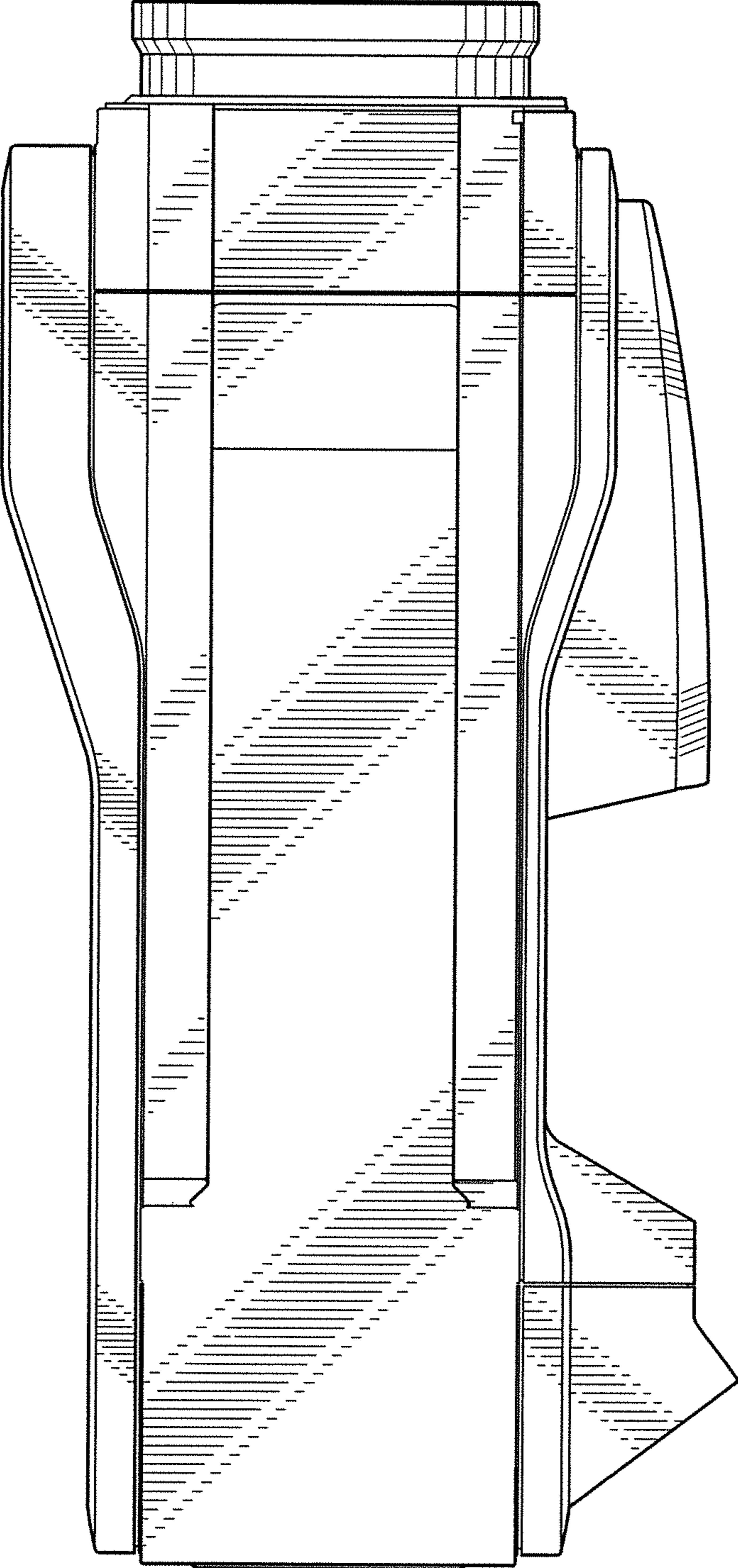


Fig-6

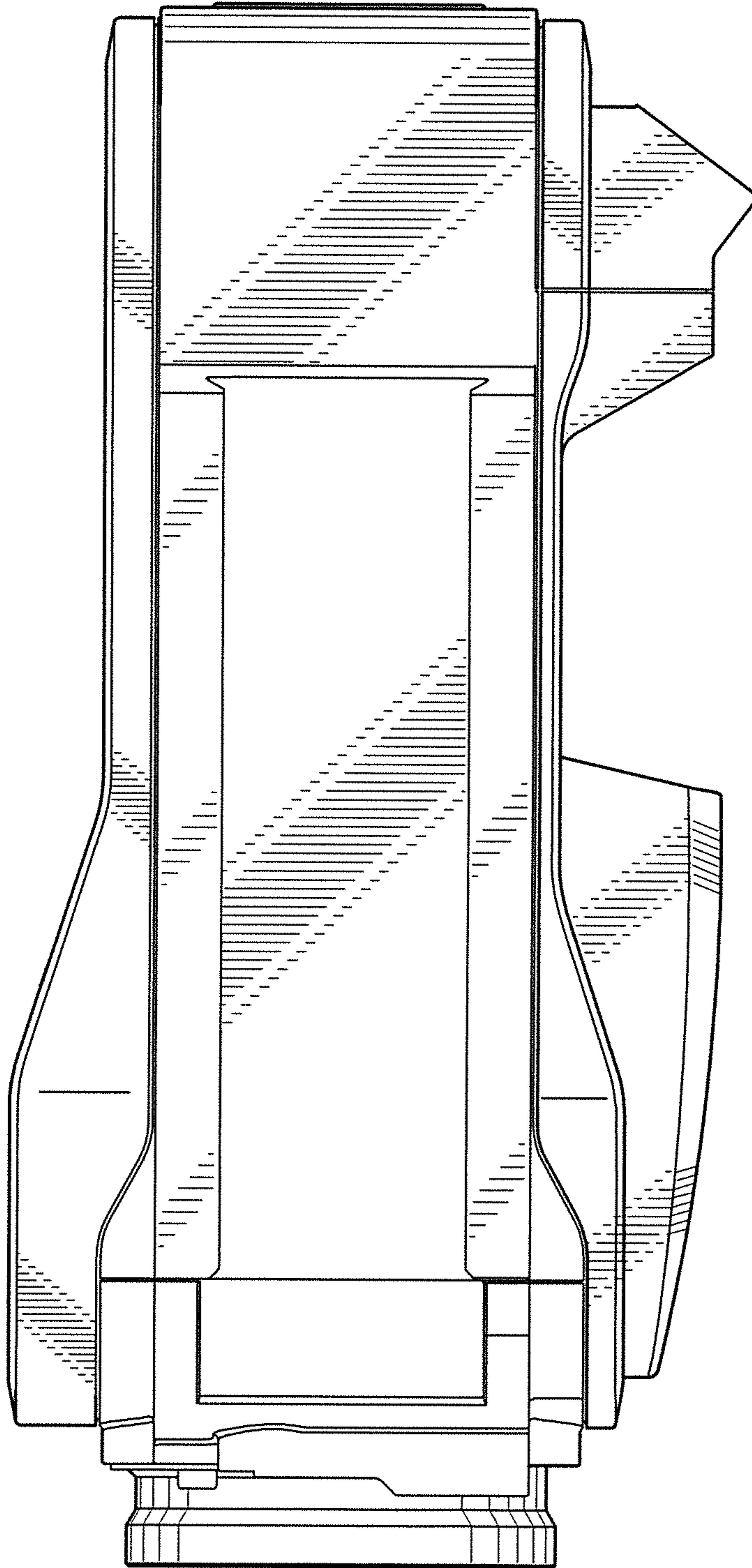


Fig-7

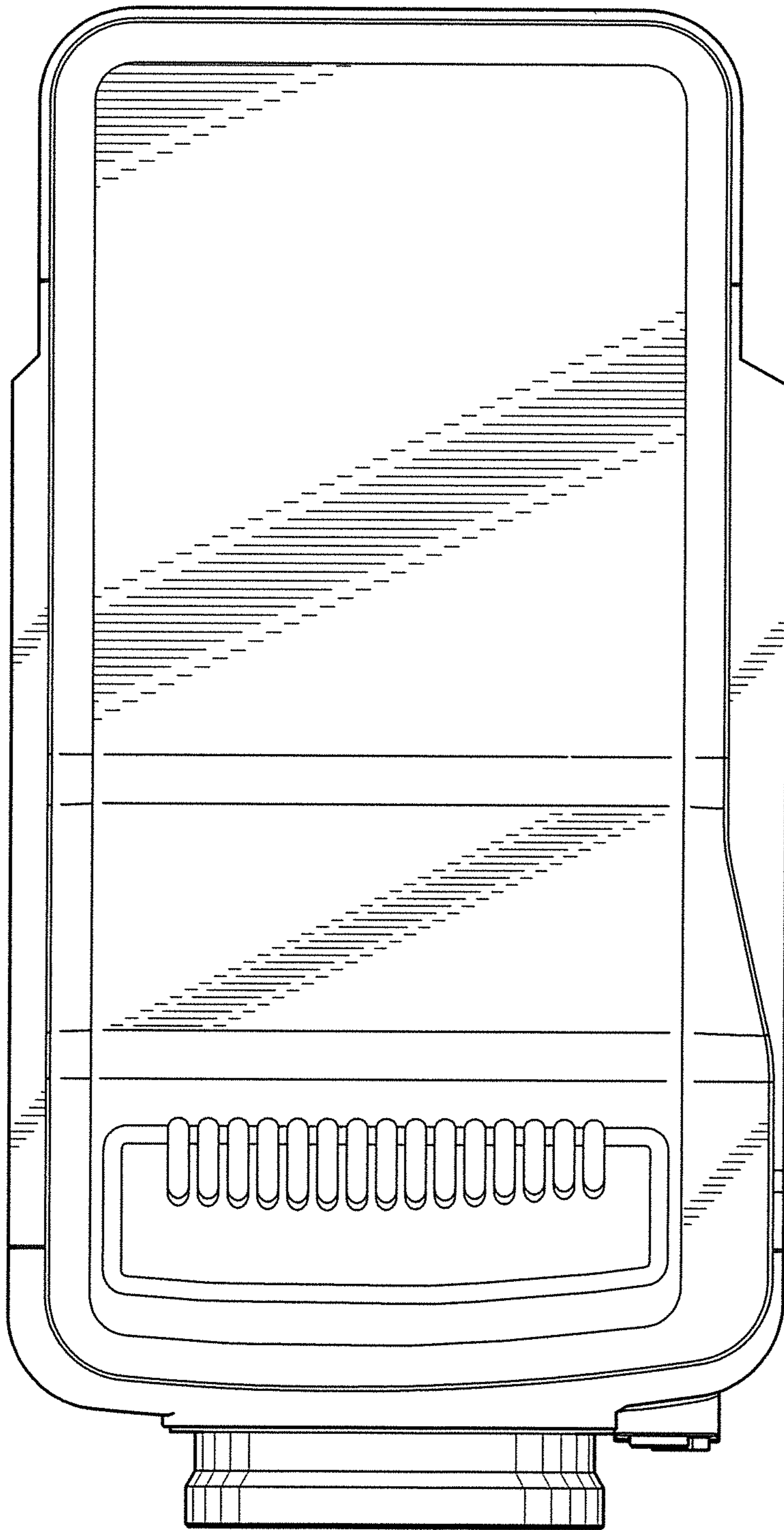


Fig-8

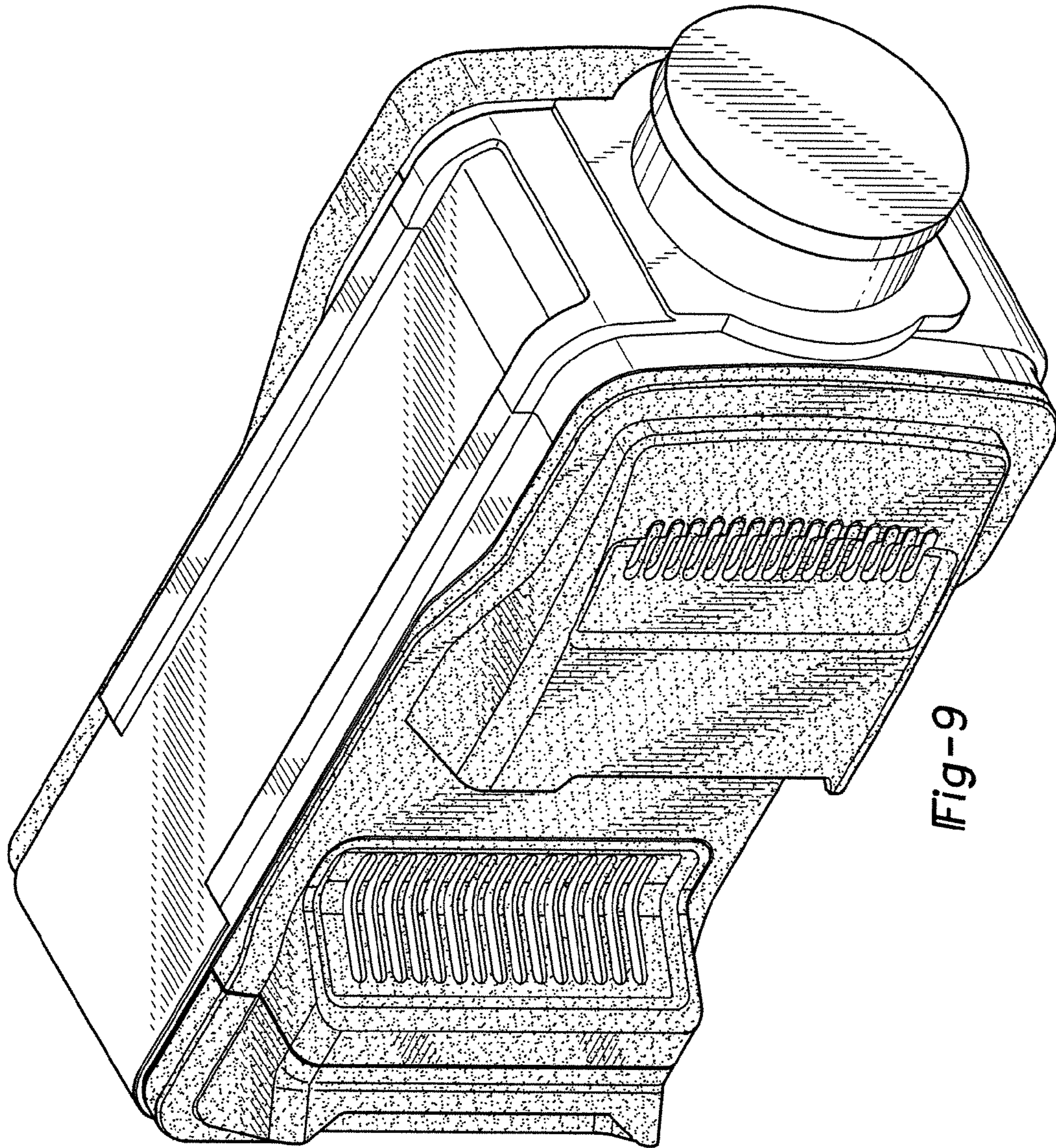


Fig-9

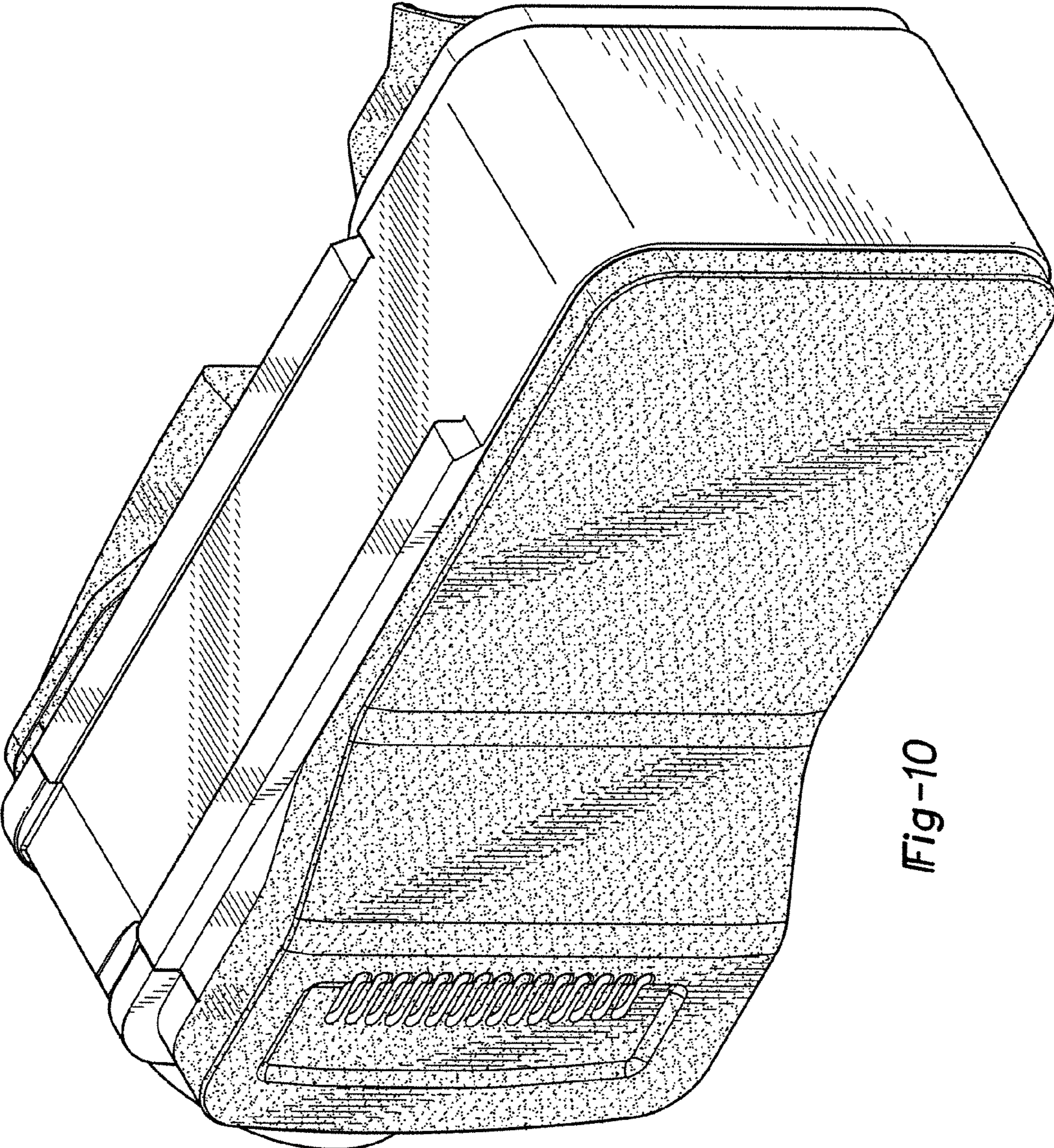


Fig-10

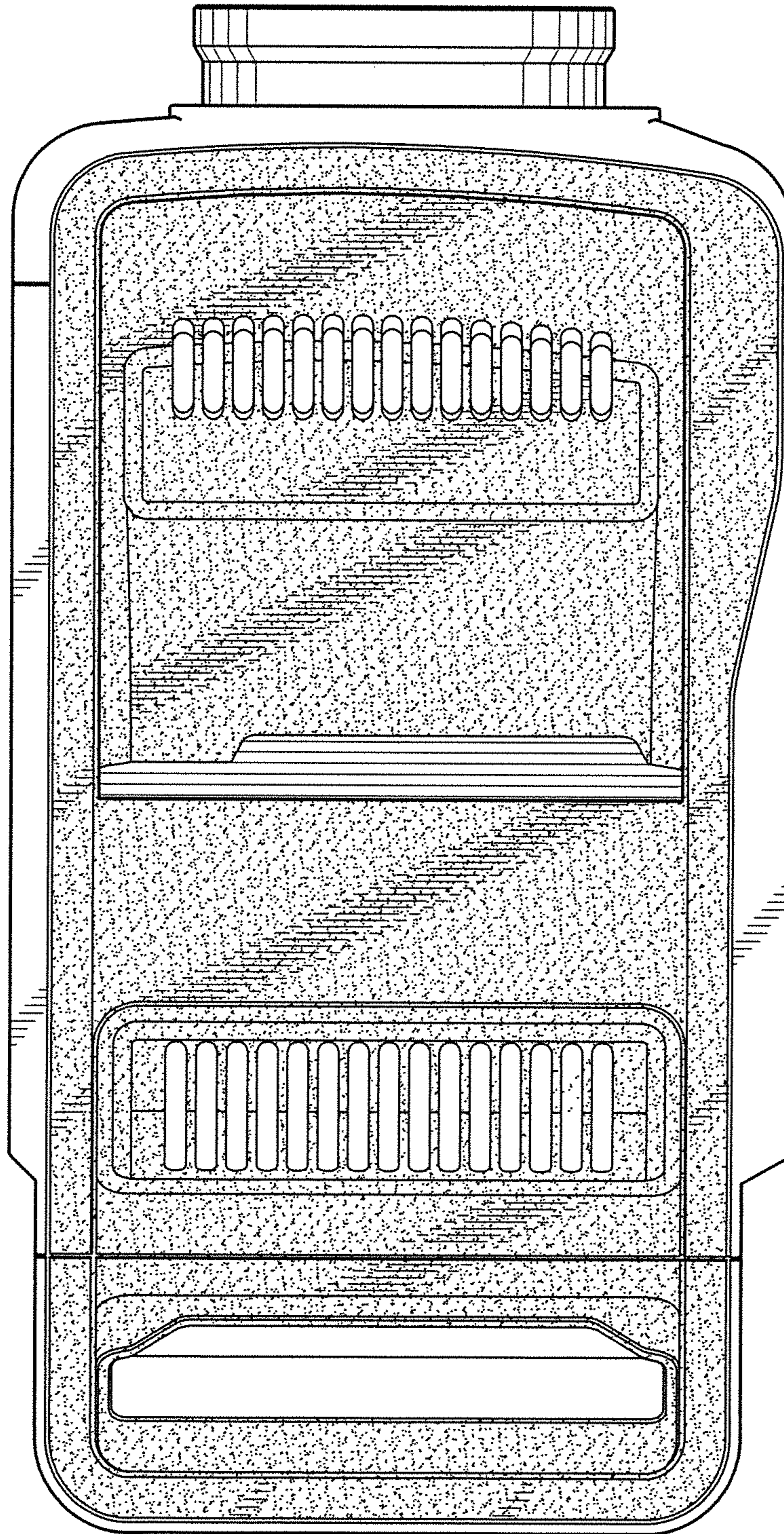


Fig-11

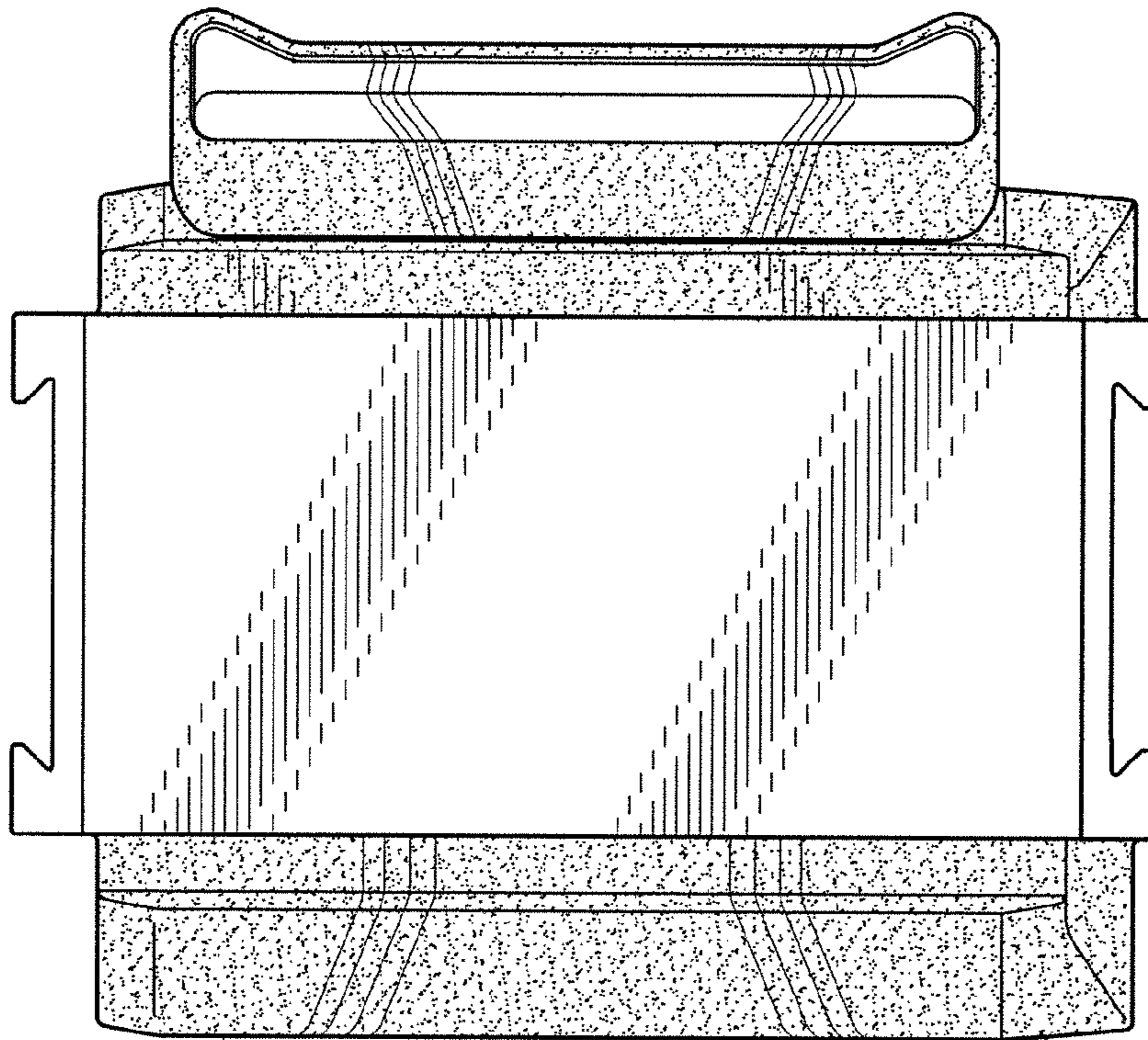


Fig-13

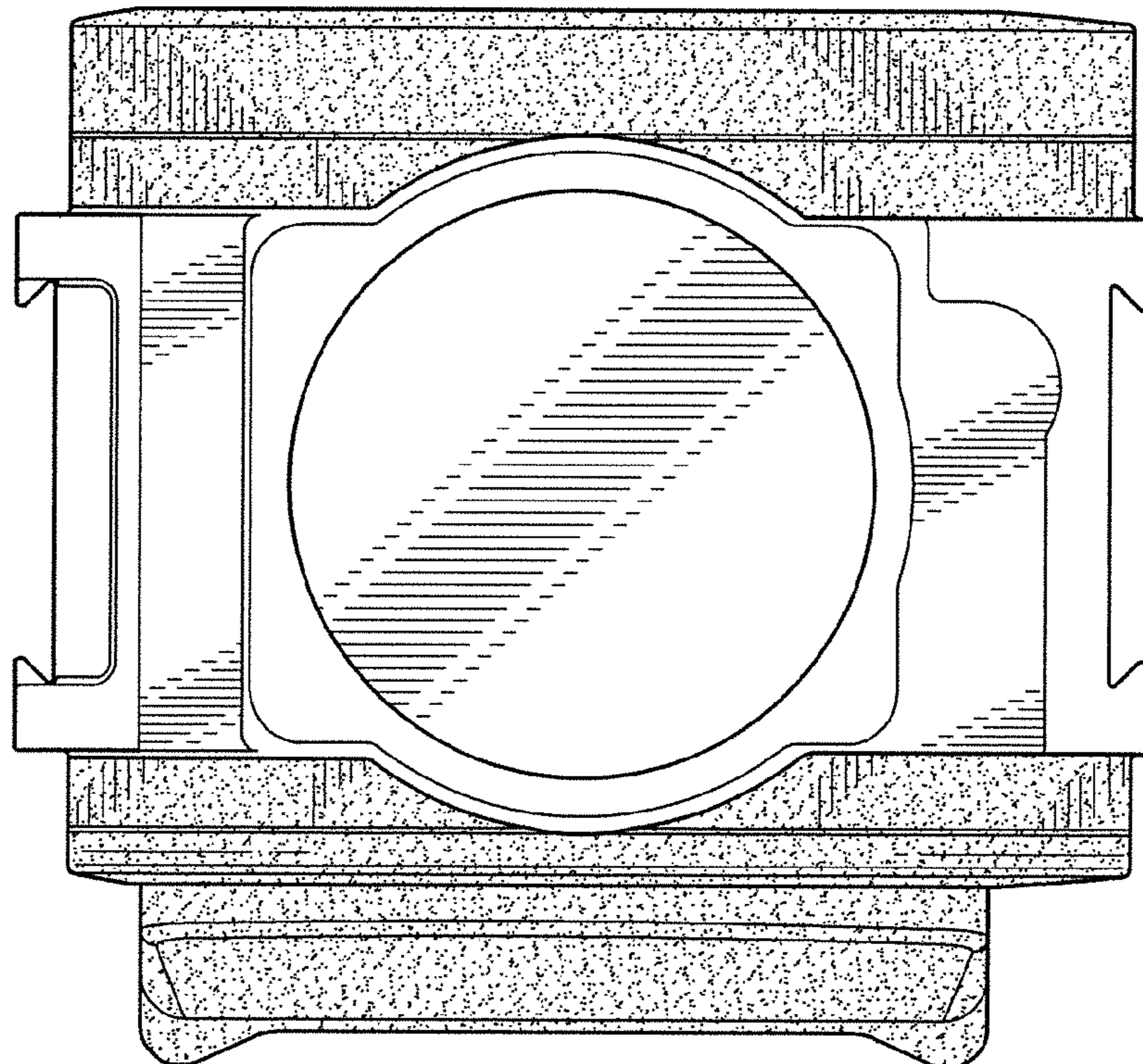


Fig-12

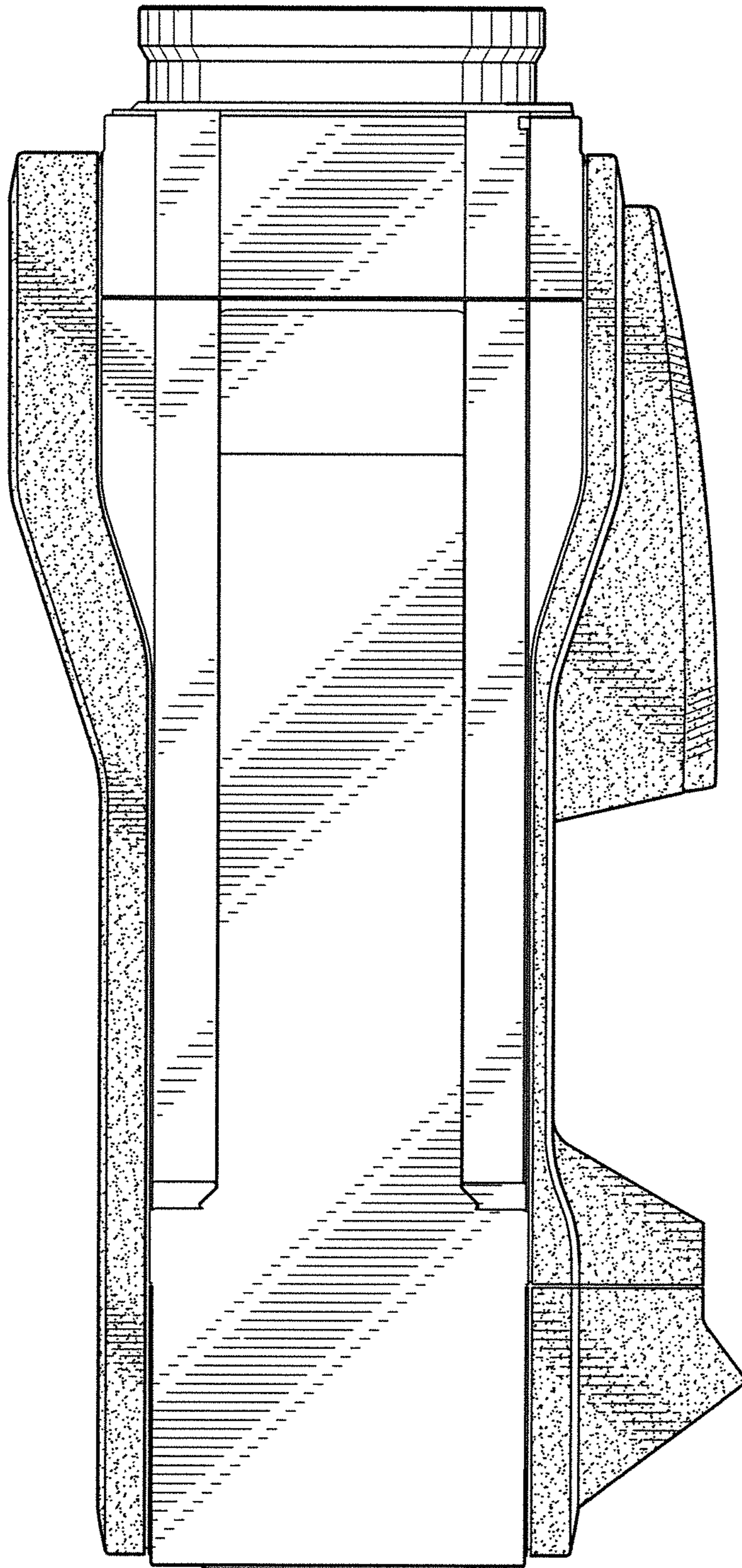


Fig-14

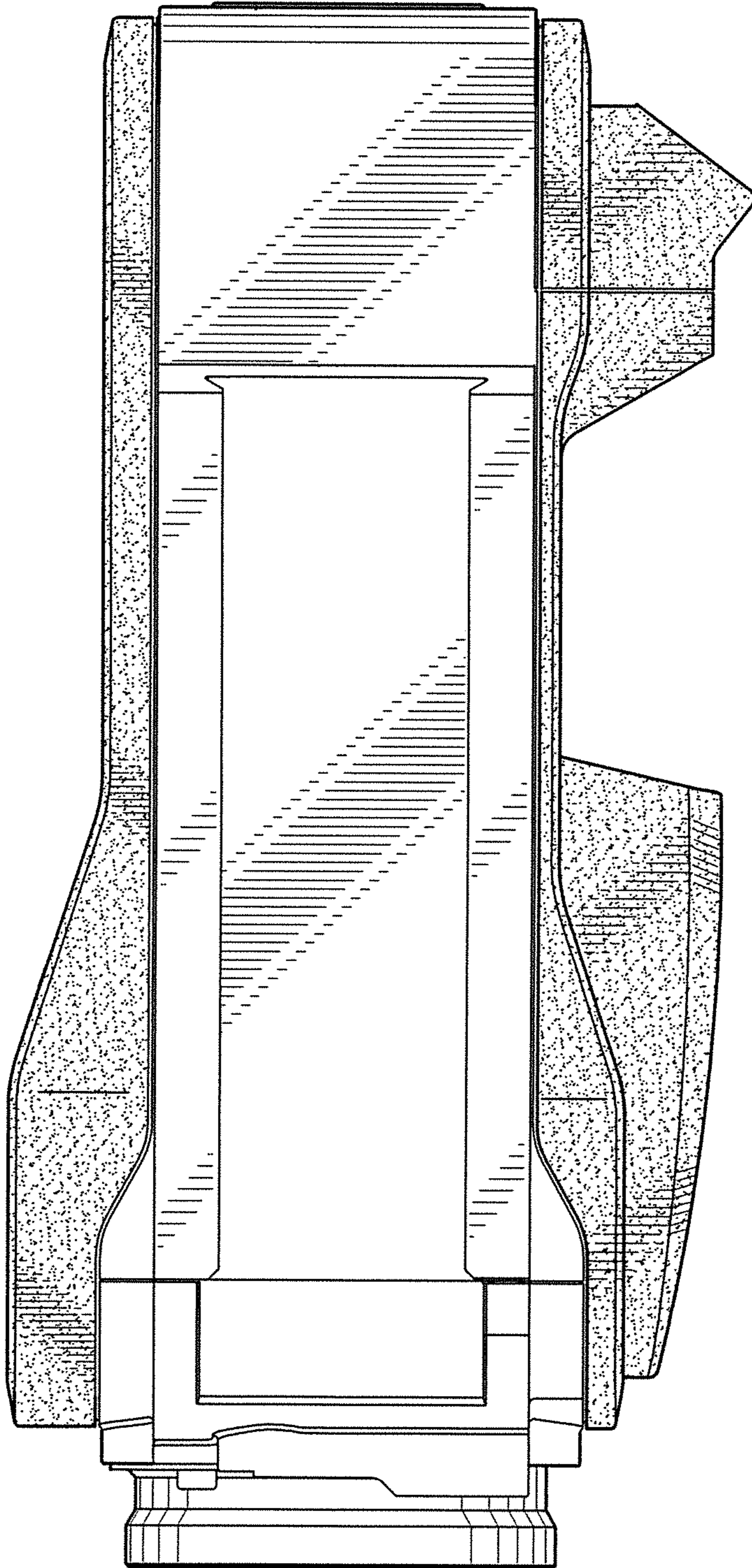


Fig-15

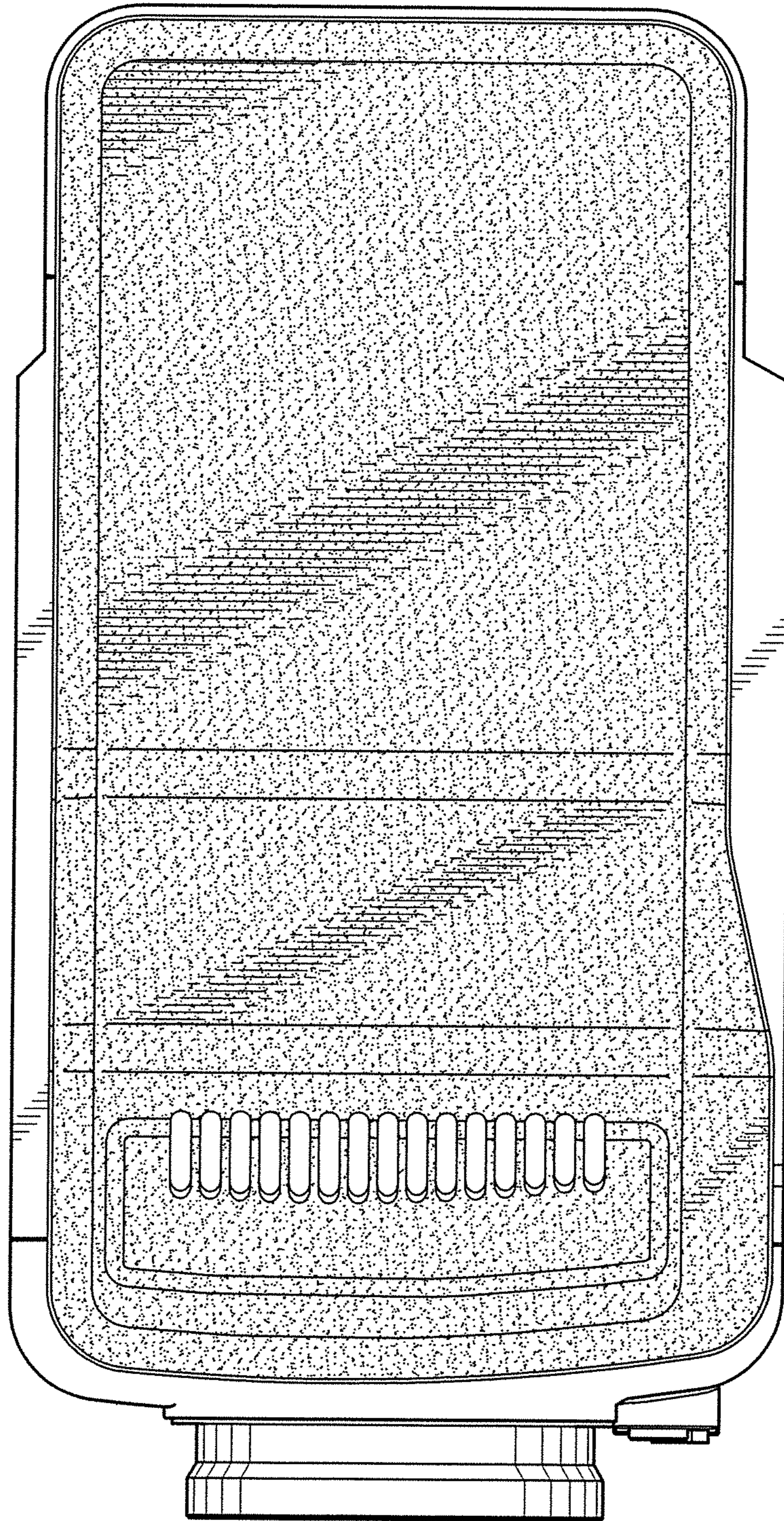


Fig-16