



US00D768745S

(12) **United States Design Patent**
Vetter

(10) **Patent No.:** **US D768,745 S**

(45) **Date of Patent:** **** Oct. 11, 2016**

- (54) **SLUICE**
- (71) Applicant: **Steven Vetter**, Bogart, GA (US)
- (72) Inventor: **Steven Vetter**, Bogart, GA (US)
- (**) Term: **14 Years**
- (21) Appl. No.: **29/524,721**
- (22) Filed: **Apr. 22, 2015**
- (51) **LOC (10) Cl.** **15-09**
- (52) **U.S. Cl.**
USPC **D15/147**
- (58) **Field of Classification Search**
USPC D15/122, 138, 147
See application file for complete search history.

(56) **References Cited**

U.S. PATENT DOCUMENTS

D184,798 S *	4/1959	Brandt	D15/147
D203,480 S *	1/1966	Gardner	D15/147
D218,480 S *	8/1970	Hannon	D15/147
D225,774 S *	1/1973	Hannon	D15/147
D259,791 S *	7/1981	Davis, Jr.	D15/147
4,339,043 A *	7/1982	Tice	B03B 5/26 209/251
D271,879 S *	12/1983	Neilson	D15/147
D294,948 S *	3/1988	Pogue	D15/147
D302,018 S *	7/1989	Messenger	D15/147
5,346,071 A *	9/1994	Page	B07B 1/005 209/257
D354,066 S *	1/1995	Young	D15/147
D360,888 S *	8/1995	Timm	D15/147
D377,182 S *	1/1997	Simpson	D15/147
5,641,071 A *	6/1997	Read	B07B 1/005 209/319
5,842,578 A *	12/1998	Cordeiro	B07B 1/005 209/420
6,234,713 B1 *	5/2001	Rowe	E01C 19/29 404/113

7,121,487 B2 *	10/2006	Cohen	B02C 13/04 241/283
D594,489 S *	6/2009	Rose	D15/147
D630,659 S *	1/2011	Dibbs	D15/147
D631,900 S *	2/2011	Prochaska	D15/147
D652,435 S *	1/2012	McLean	D15/122
8,302,890 B2 *	11/2012	Lewis-Gray	B02C 21/02 241/101.71
D707,275 S *	6/2014	Ito	D15/147
8,789,780 B2 *	7/2014	Brosseuk	B03B 5/26 241/20
D732,095 S *	6/2015	Enfantino	D15/147
2006/0237346 A1 *	10/2006	Fridman	B07B 1/005 209/288
2010/0193406 A1 *	8/2010	Alderson	B03B 9/00 209/44

* cited by examiner

Primary Examiner — Patricia Palasik
(74) *Attorney, Agent, or Firm* — Quickpatents, LLC;
Kevin Prince

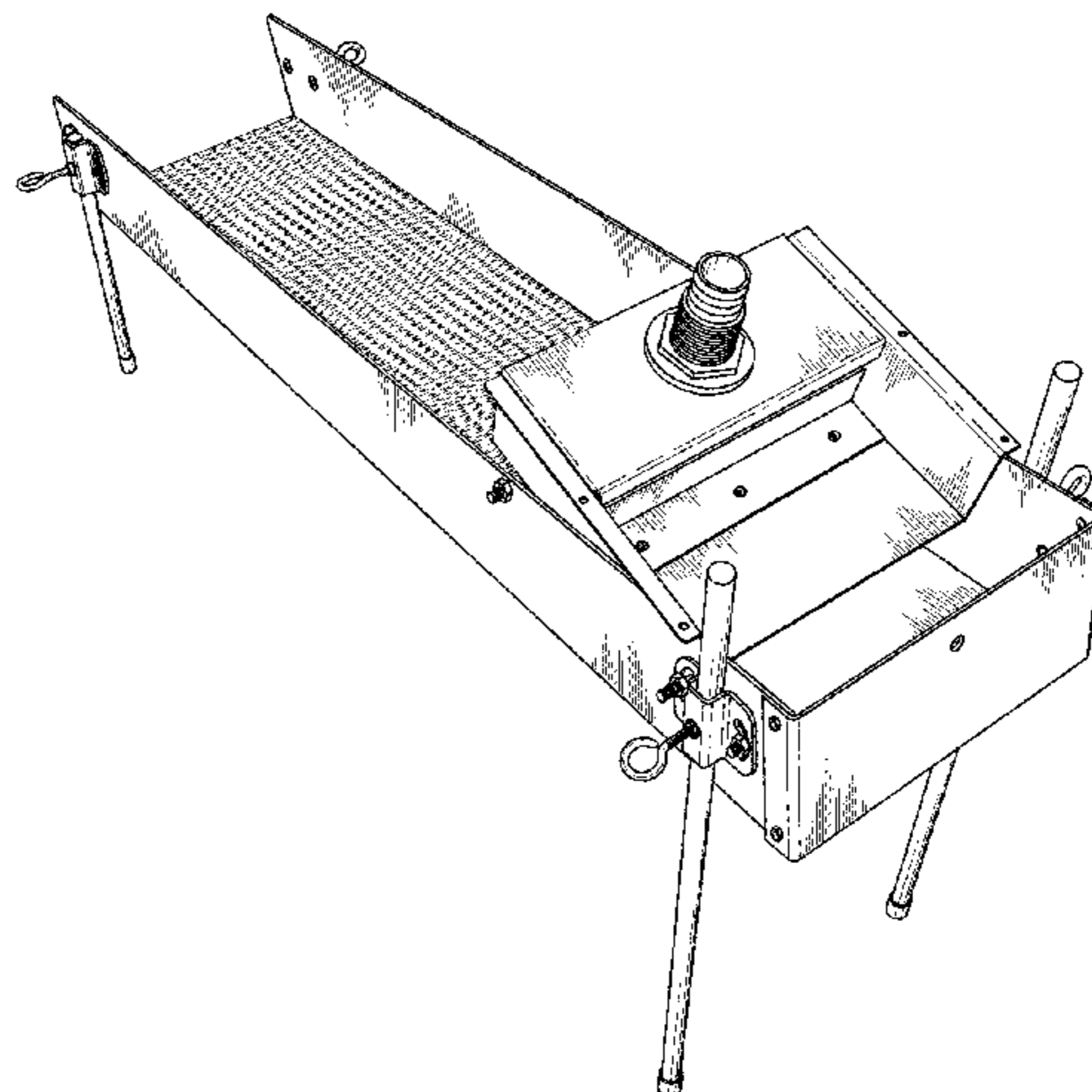
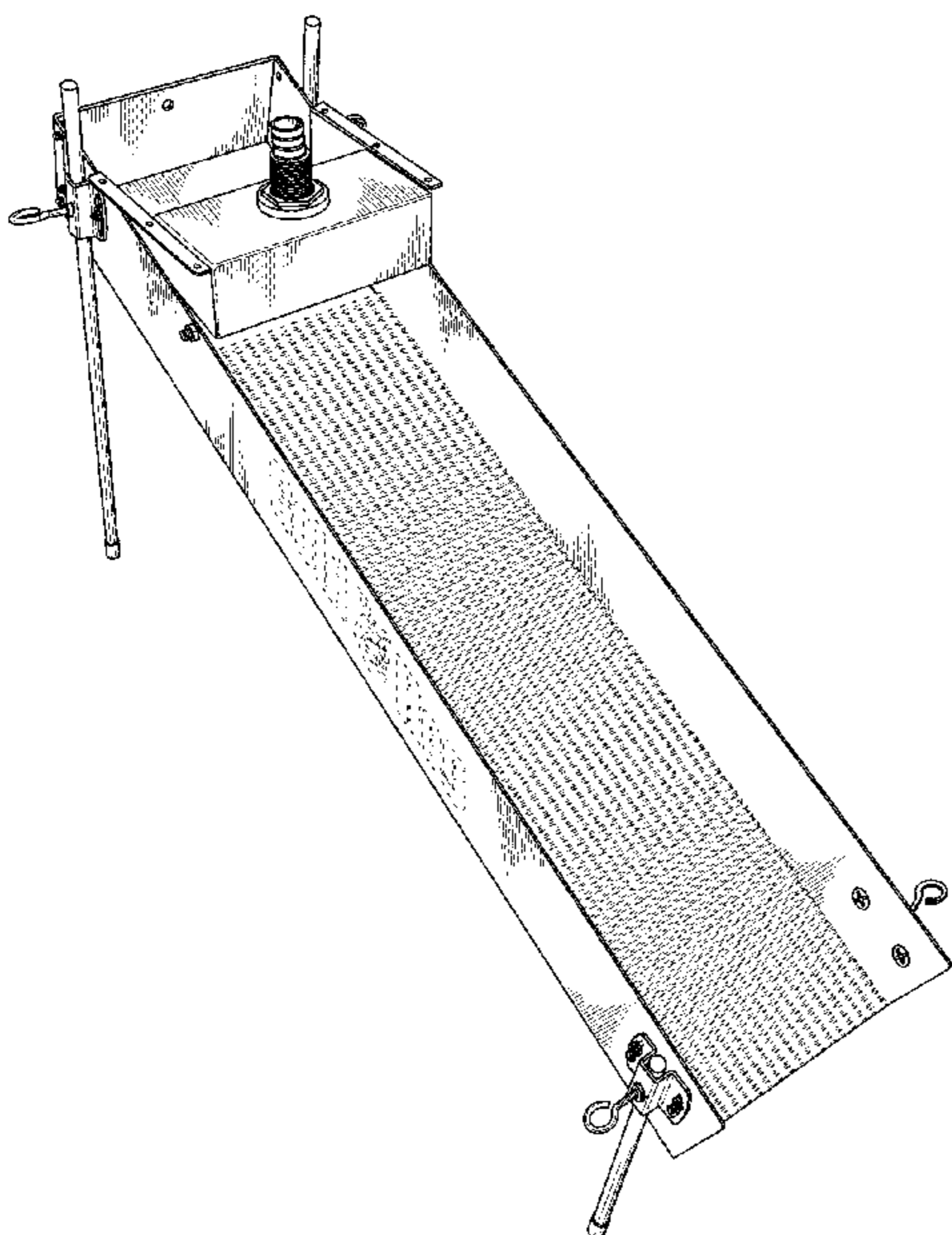
(57) **CLAIM**

I claim the ornamental design for a sluice, as shown and described.

DESCRIPTION

FIG. 1 is a front perspective view of a sluice, showing my new design;
FIG. 2 is a rear perspective view thereof;
FIG. 3 is a front elevational view thereof;
FIG. 4 is a rear elevational view thereof;
FIG. 5 is a right-side elevational view thereof;
FIG. 6 is a left-side elevational view thereof;
FIG. 7 is a top plan view thereof; and,
FIG. 8 is a bottom plan view thereof.
The broken lines showing a logo and in FIGS. 1 and 6, and a sluice mat in FIGS. 1 and 2 depict environmental matter and form no part of the claimed design.

1 Claim, 5 Drawing Sheets



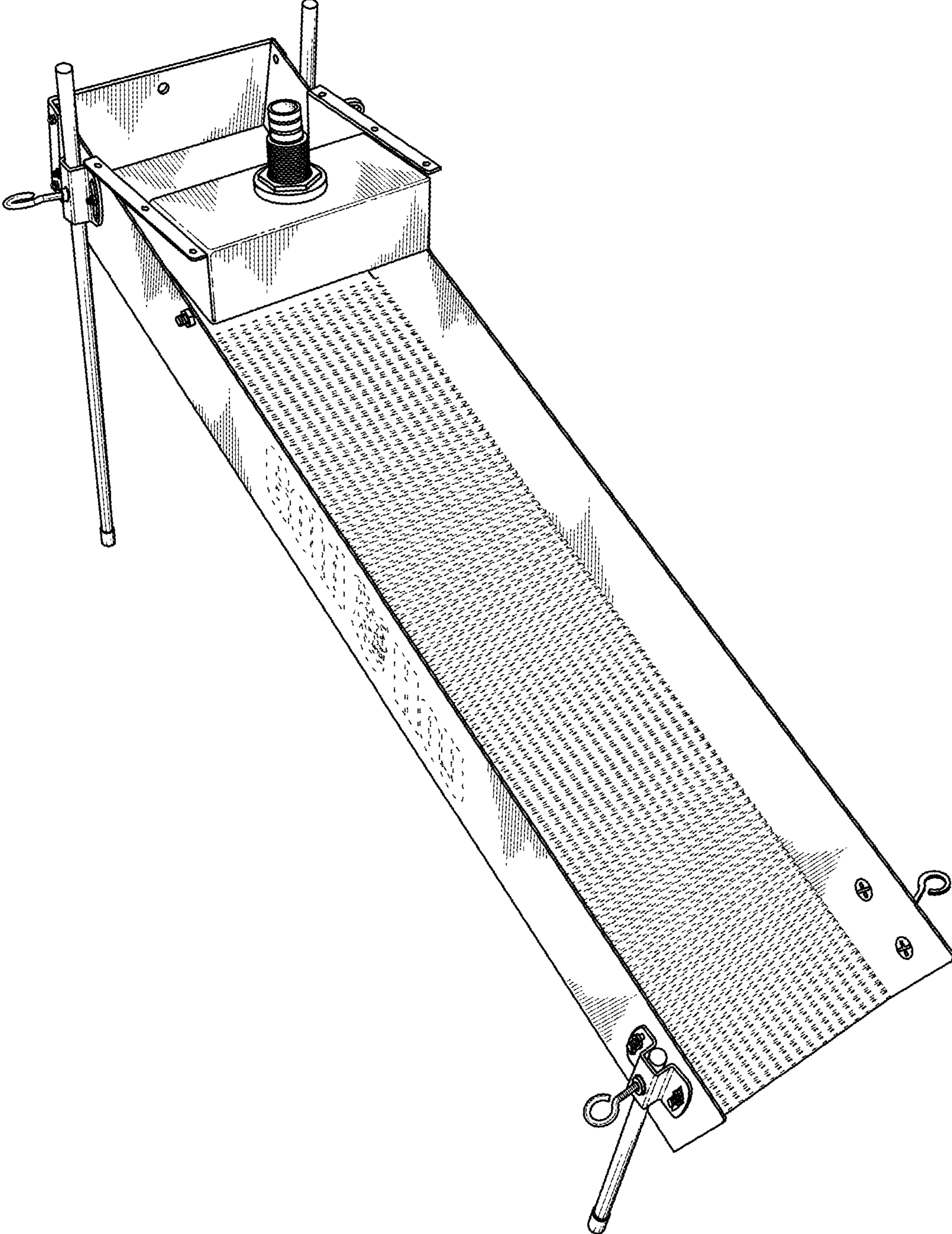


FIG. 1

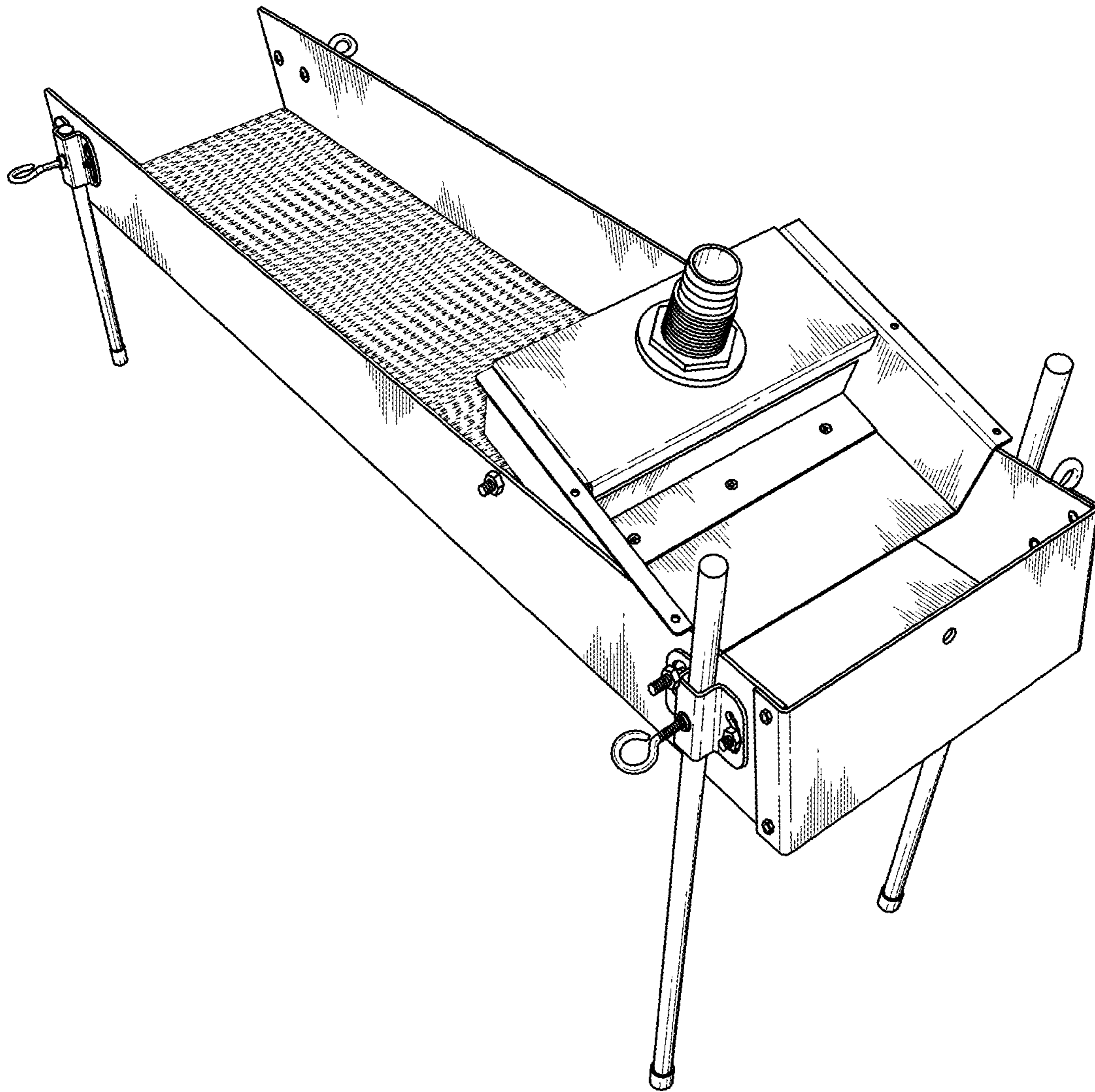


FIG. 2

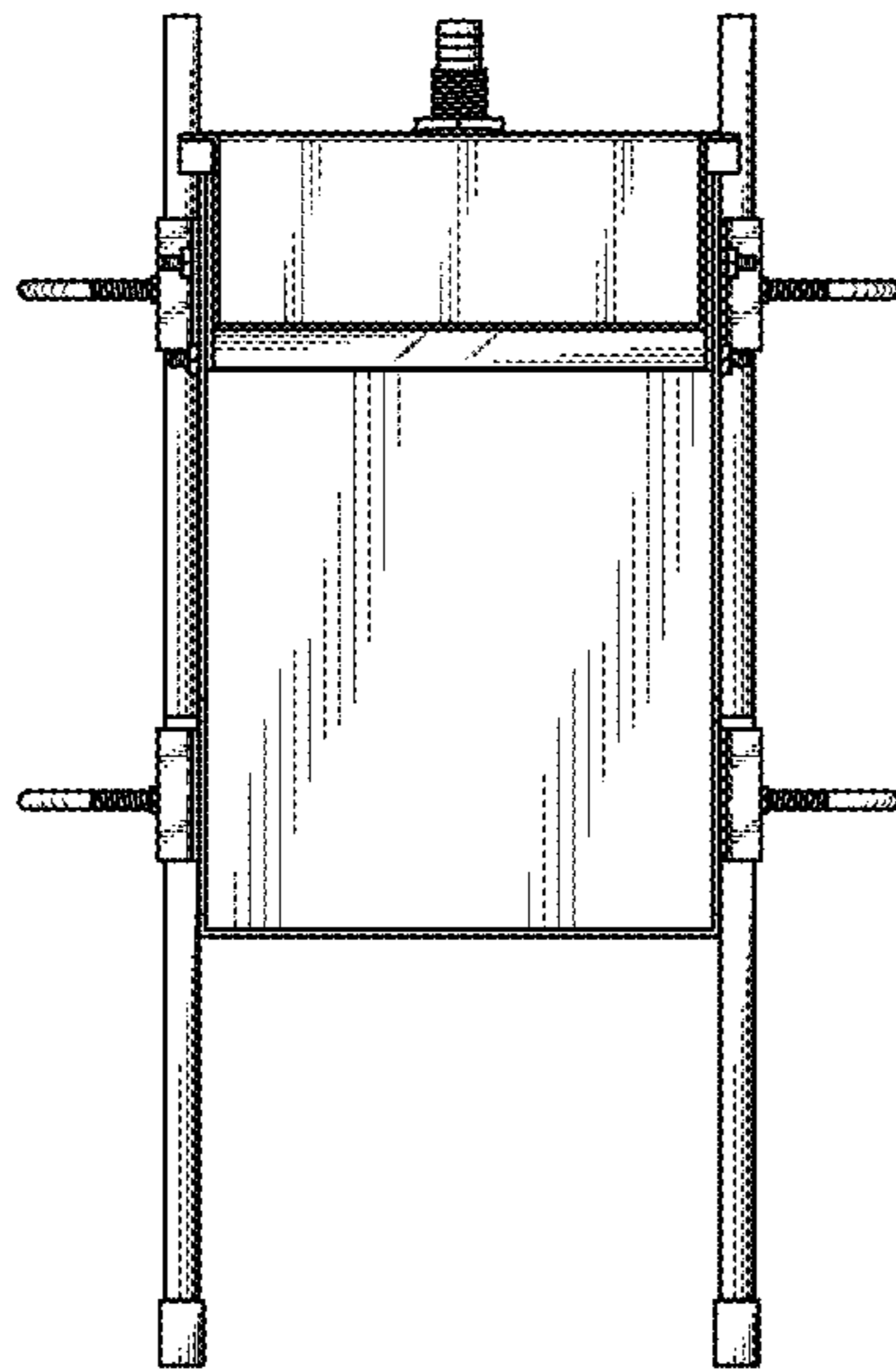


FIG. 3

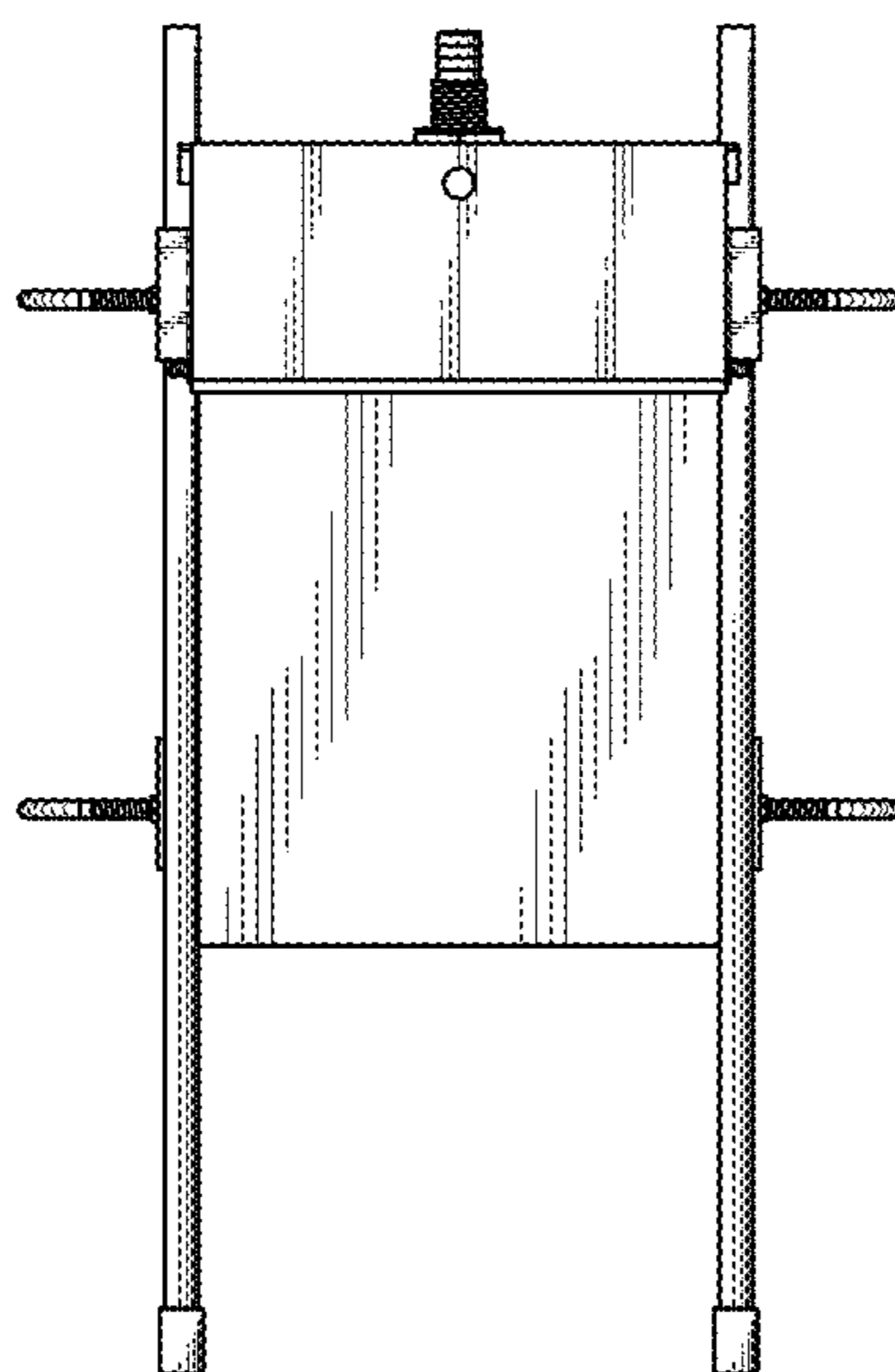


FIG. 4

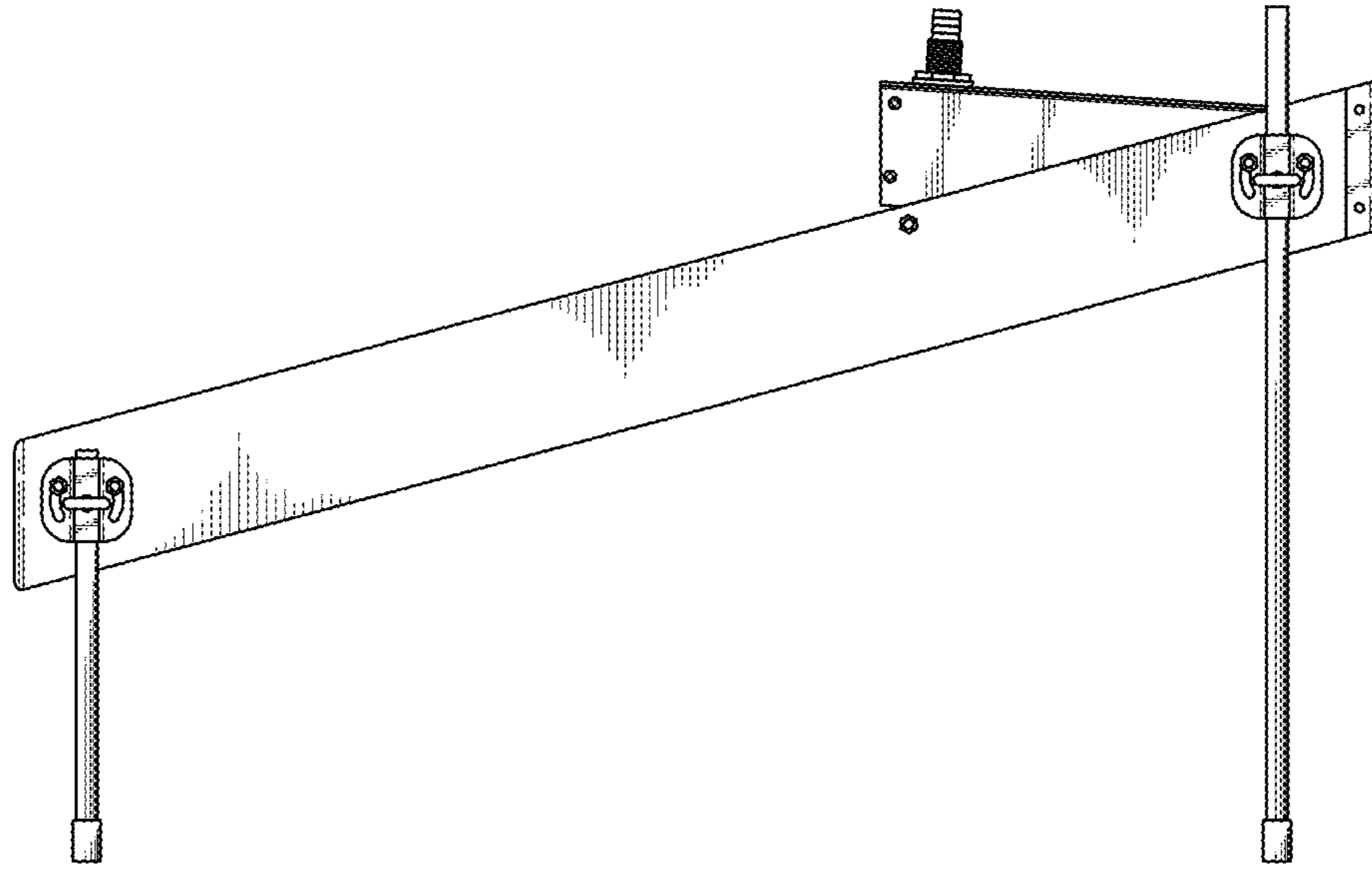


FIG. 5

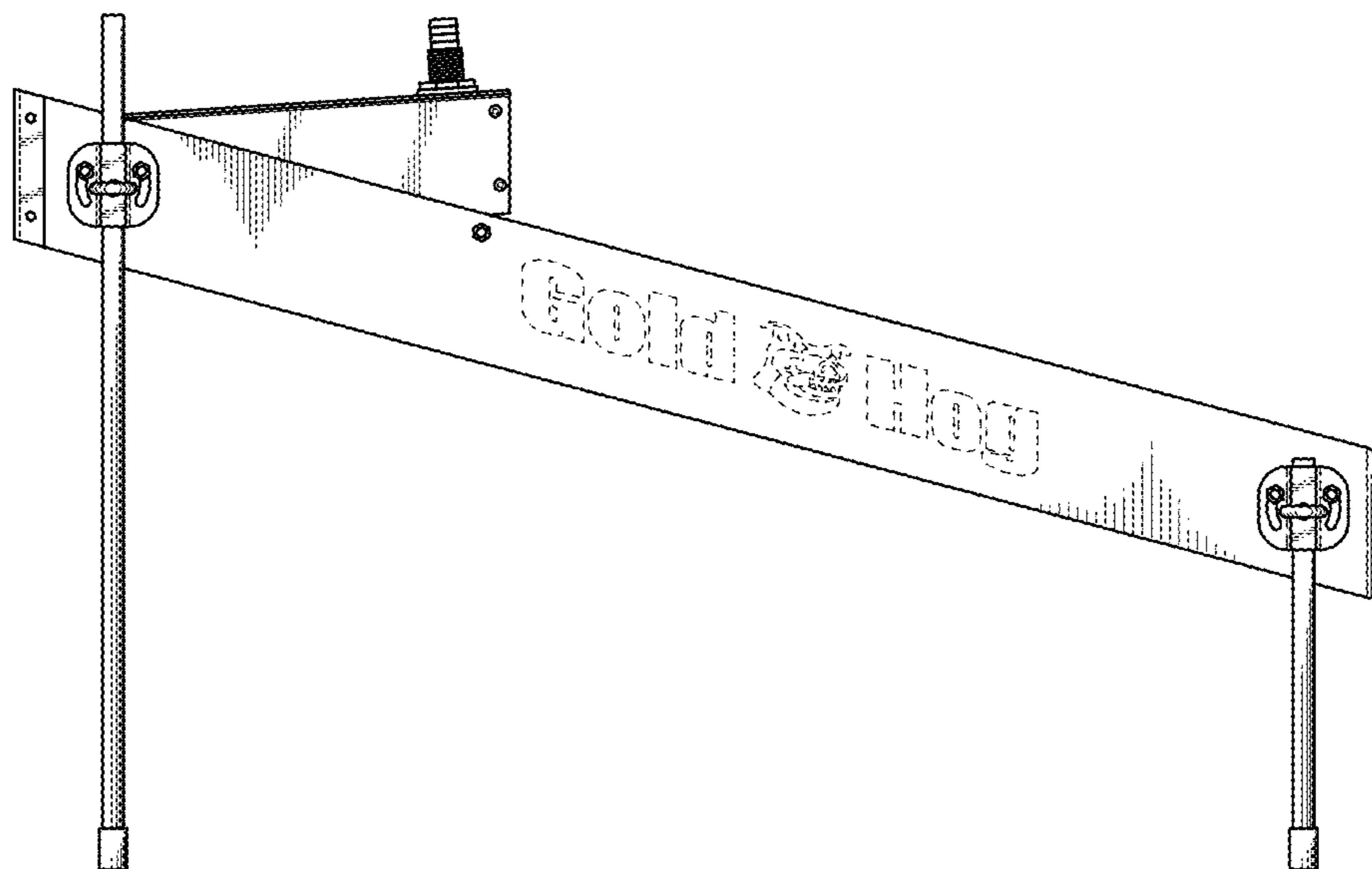


FIG. 6

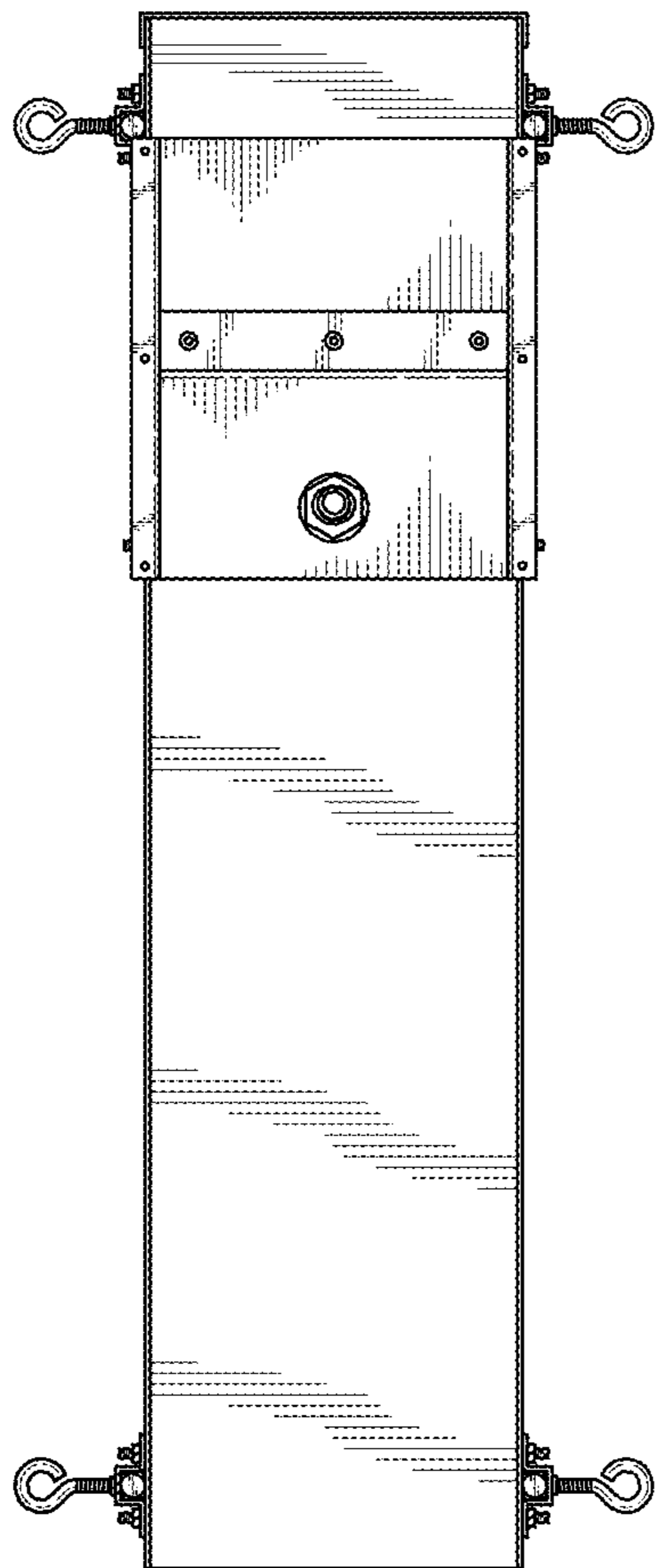


FIG. 7

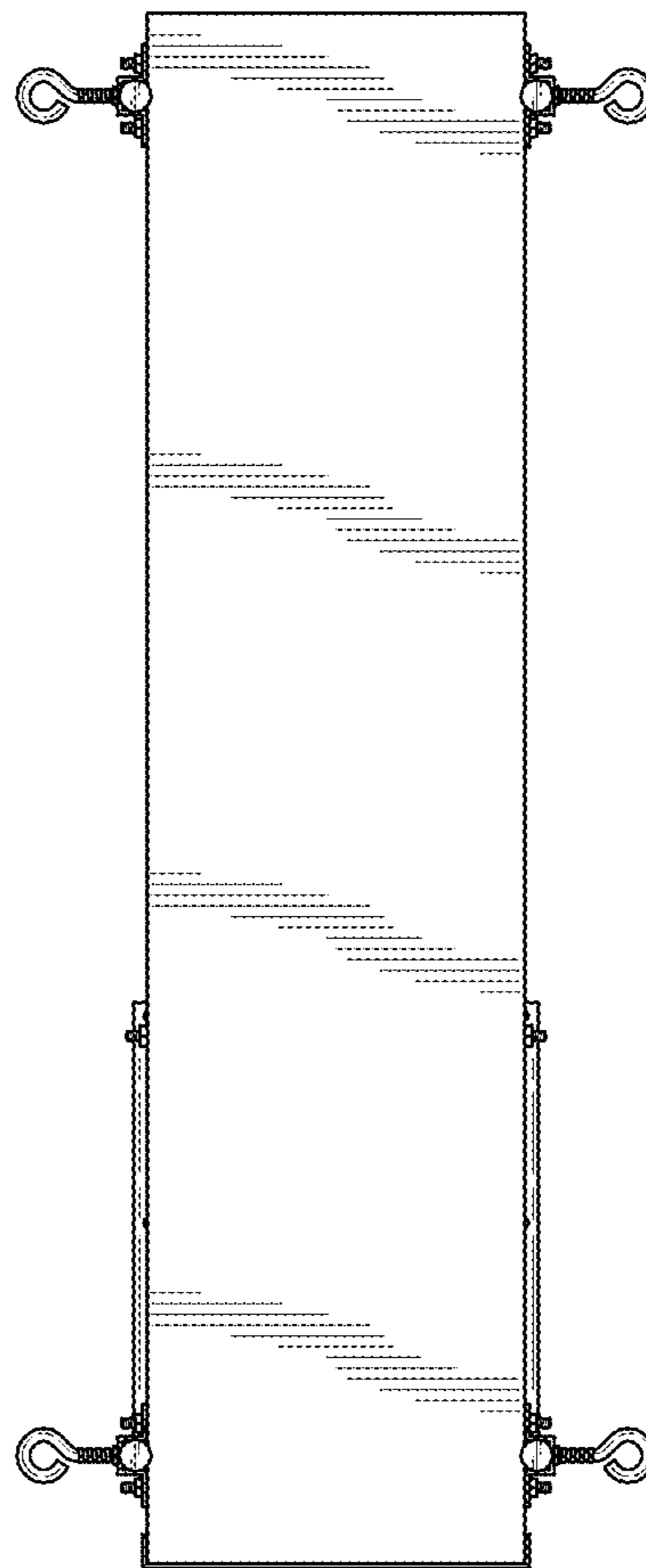


FIG. 8