



US00D768742S

(12) **United States Design Patent**
Charbonneau

(10) **Patent No.:** **US D768,742 S**

(45) **Date of Patent:** **** Oct. 11, 2016**

- (54) **DEICING BLADE**
- (71) Applicant: **Guy Charbonneau**, Lachute (CA)
- (72) Inventor: **Guy Charbonneau**, Lachute (CA)
- (**) Term: **14 Years**
- (21) Appl. No.: **29/507,290**
- (22) Filed: **Oct. 26, 2014**
- (51) **LOC (10) Cl.** **15-09**
- (52) **U.S. Cl.**
USPC **D15/139**
- (58) **Field of Classification Search**
USPC D8/20; D15/21, 138, 139
See application file for complete search history.

D607,024	S *	12/2009	Dost	D15/139
7,669,673	B1 *	3/2010	Matthias	E21B 10/44 175/310
D624,569	S *	9/2010	Norling	D15/139
D635,599	S *	4/2011	Furseth	D15/139
D639,829	S *	6/2011	Saunders	D15/139
D642,880	S *	8/2011	Filho	D8/20
D660,888	S *	5/2012	Piliguian	D15/126
D712,445	S *	9/2014	Jang	D15/139
D719,593	S *	12/2014	Inkster	D15/126
D740,337	S *	10/2015	McCoy	D15/138
D744,018	S *	11/2015	Sugiura	D15/139
D746,883	S *	1/2016	Strommer	D15/138
2006/0000647	A1 *	1/2006	Burns	E21B 10/02 175/394

* cited by examiner

Primary Examiner — Patricia Palasik

(56) **References Cited**

U.S. PATENT DOCUMENTS

945,016	A *	1/1910	Caldwell	E21B 11/005 175/384
957,128	A *	5/1910	Vesey	E21B 11/005 175/241
2,320,610	A *	6/1943	Kandle	E21B 10/44 175/384
2,709,573	A *	5/1955	Reed	E21B 10/44 175/388
3,175,630	A *	3/1965	Hein	E21B 10/44 175/18
D222,390	S *	10/1971	Pinette	D15/139
3,760,890	A *	9/1973	Rantanen	E21B 7/008 175/18
3,786,876	A *	1/1974	Aaltonen	E21B 7/008 175/18
D242,012	S *	10/1976	Kotajarvi	D8/8
D250,388	S *	11/1978	Rantanen	D15/21
5,038,870	A *	8/1991	Kuronen	A01K 97/01 175/18
D325,033	S *	3/1992	Witherspoon	D15/21
D338,213	S *	8/1993	Witt	D15/139
D406,851	S *	3/1999	Liin	D15/138
6,354,347	B1 *	3/2002	Brewer	B27G 13/007 144/134.1
6,502,649	B1 *	1/2003	Havel	E21B 7/008 175/18
D508,700	S *	8/2005	Sakai	D15/11
D536,717	S *	2/2007	Huang	D15/139
7,571,781	B2 *	8/2009	Stoetzer	E21B 10/42 175/394

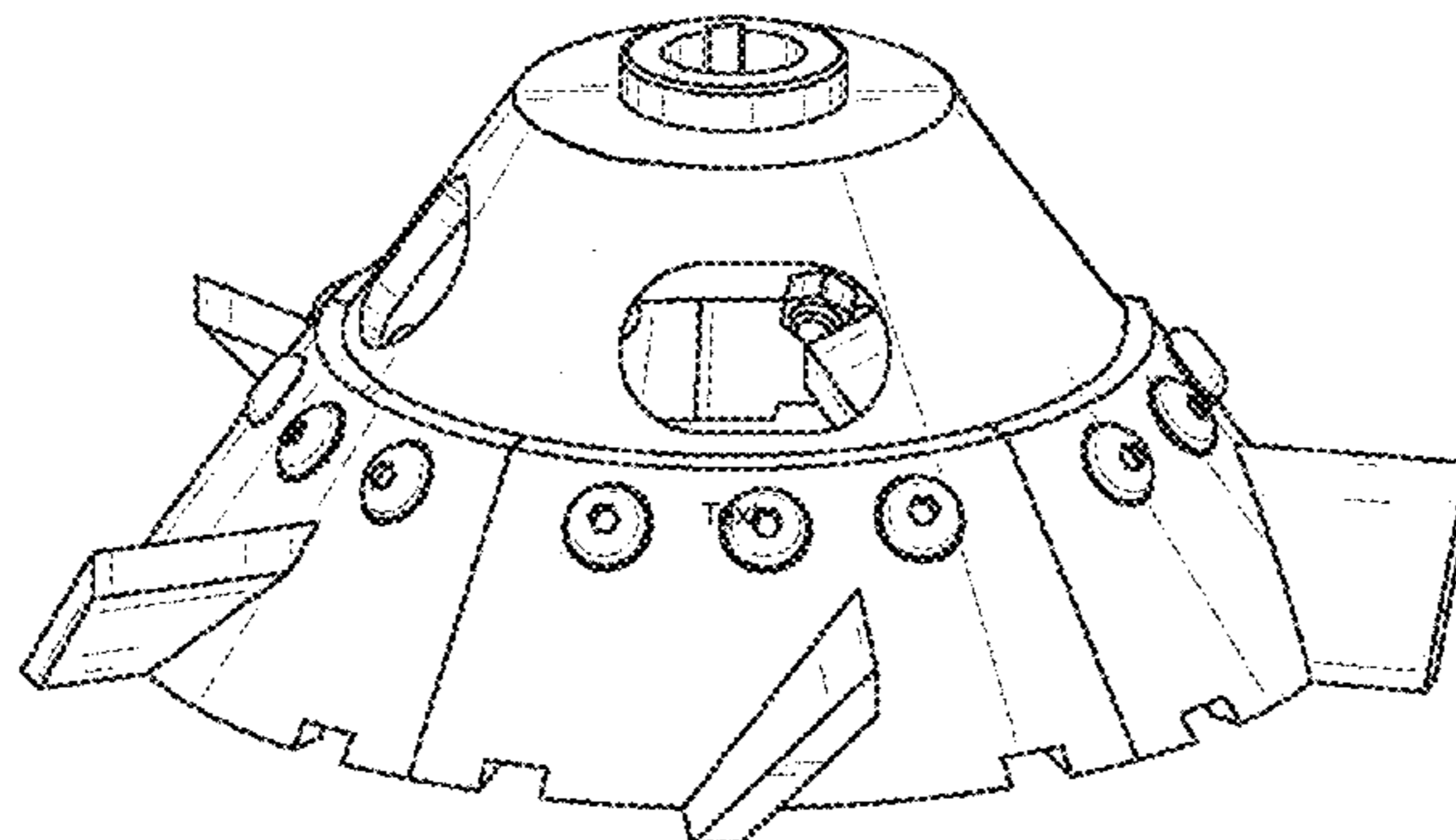
(57) **CLAIM**

The ornamental design for a deicing blade, as shown and described.

DESCRIPTION

FIG. 1 is a front perspective view according to a fifth embodiment of the deicing blade;
 FIG. 2 is a front view according to a fifth embodiment of the deicing blade;
 FIG. 3 is a top view according to a fifth embodiment of the deicing blade;
 FIG. 4 is a bottom view according to a fifth embodiment of the deicing blade;
 FIG. 5 is a front perspective view according to a sixth embodiment of the deicing blade;
 FIG. 6 is a front view according to a sixth embodiment of the deicing blade;
 FIG. 7 is a top view according to a sixth embodiment of the deicing blade;
 FIG. 8 is a bottom view according to a sixth embodiment of the deicing blade;
 FIG. 9 is a front perspective view according to a seventh embodiment of the deicing blade;
 FIG. 10 is a front view according to a seventh embodiment of the deicing blade;
 FIG. 11 is a top view according to a seventh embodiment of the deicing blade; and,
 FIG. 12 is a bottom view according to a seventh embodiment of the deicing blade.

1 Claim, 12 Drawing Sheets



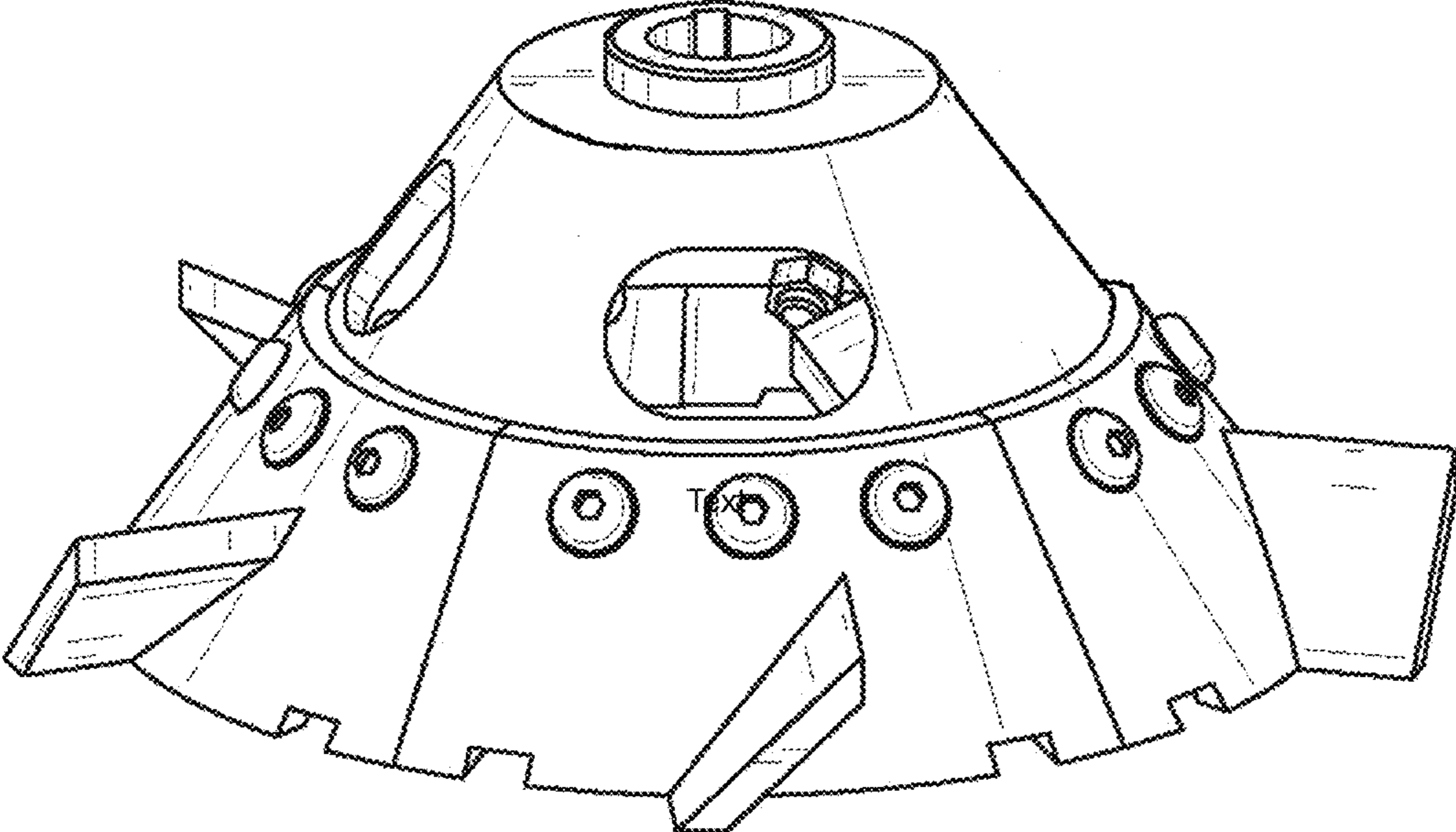


FIGURE 1

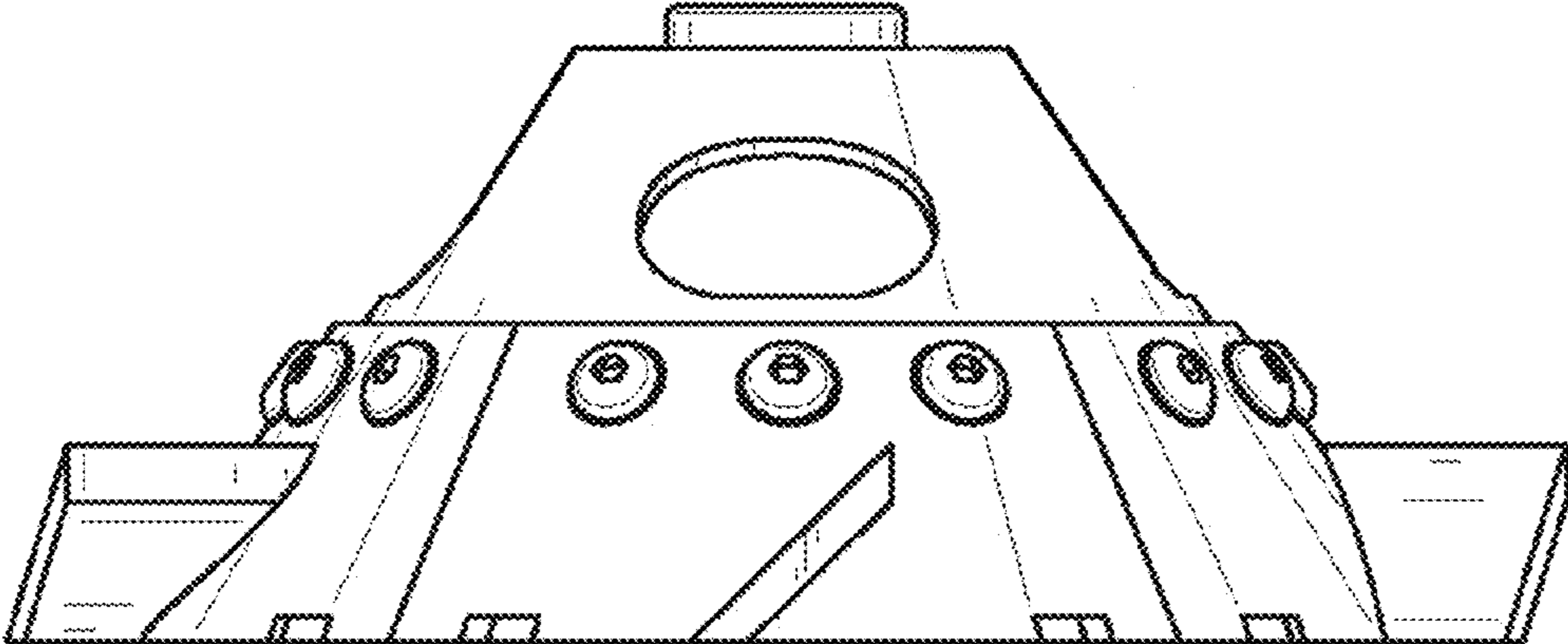


FIGURE 2

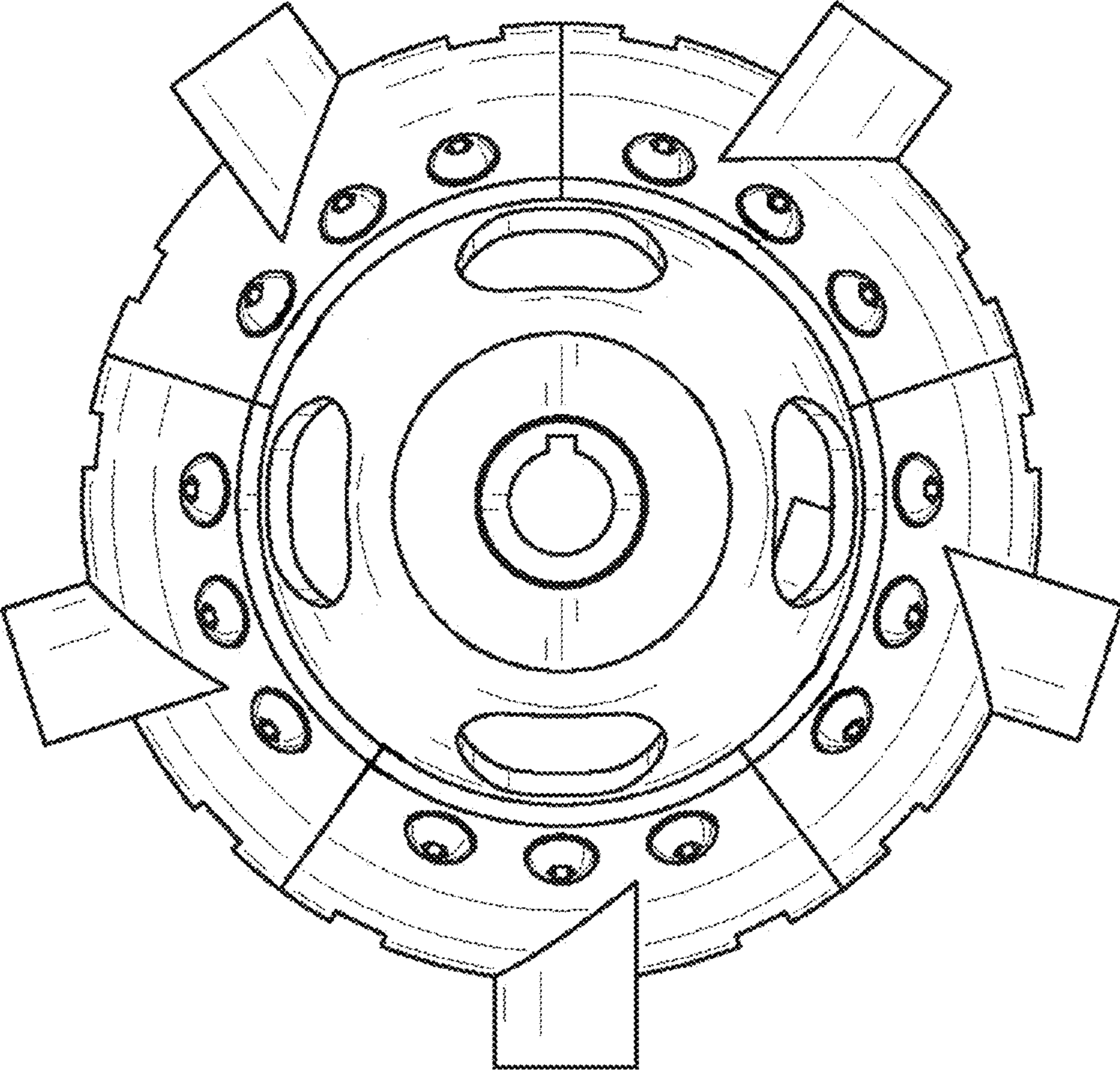


FIGURE 3

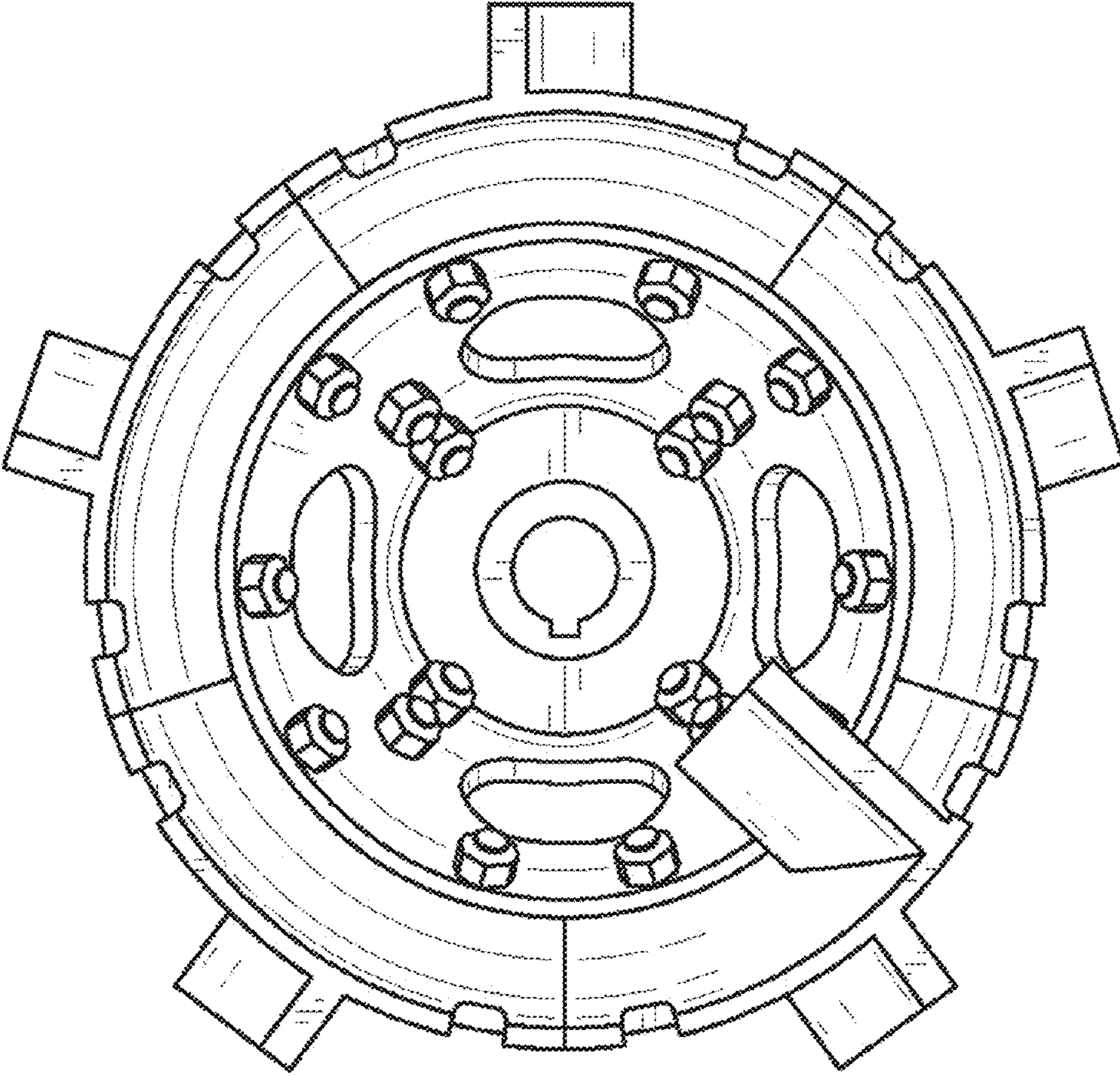


FIGURE 4

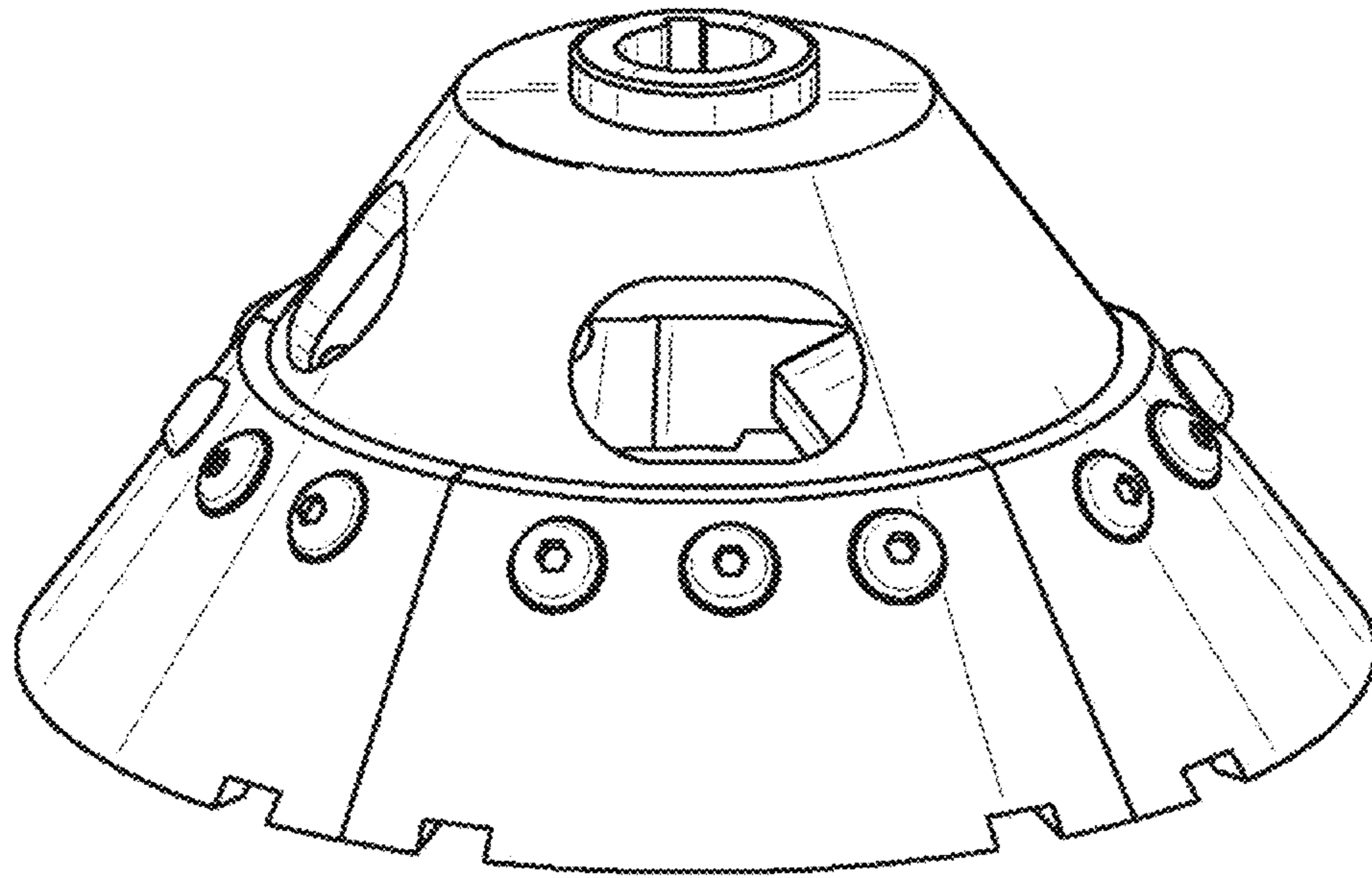


FIGURE 5

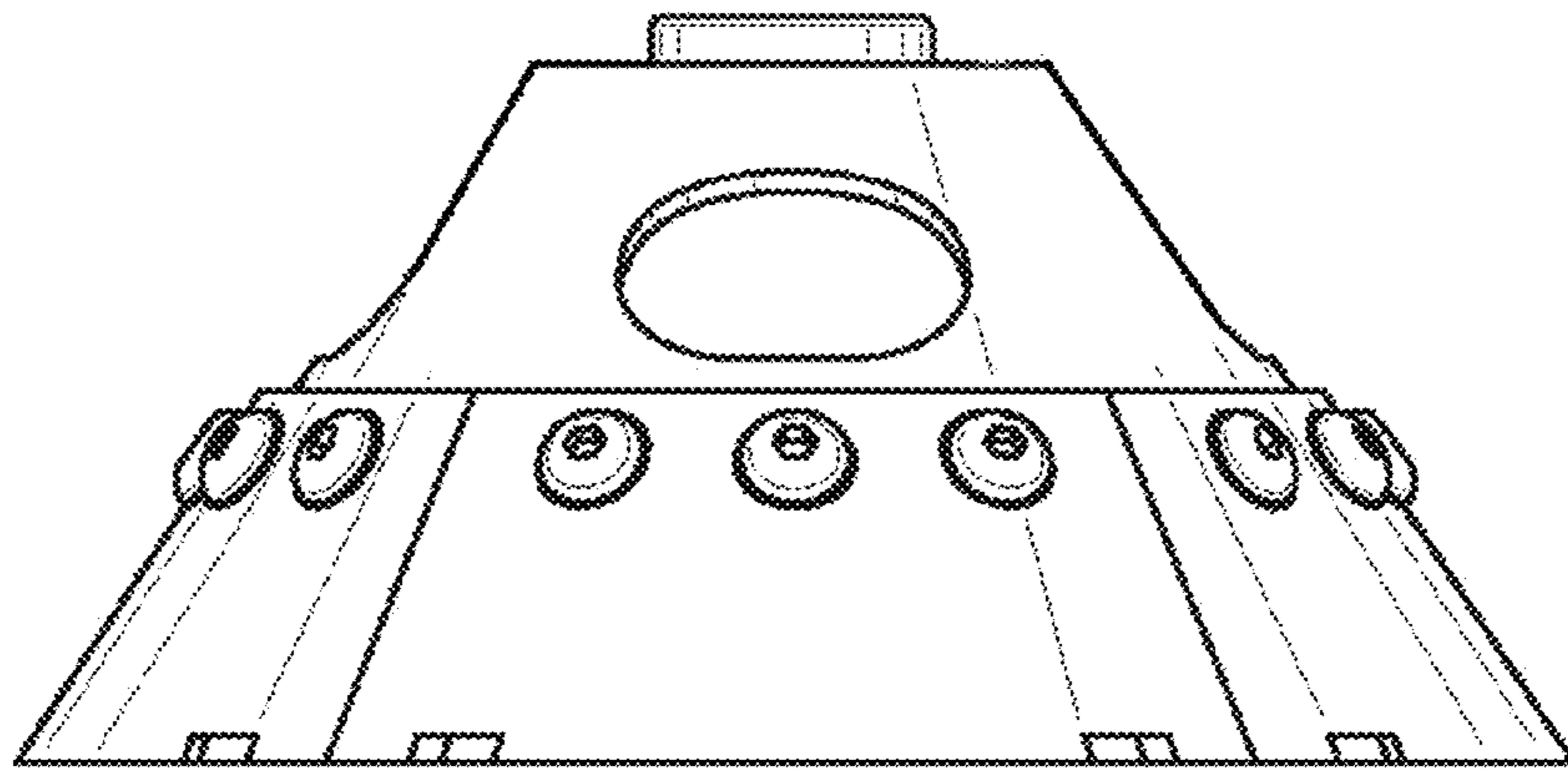


FIGURE 6

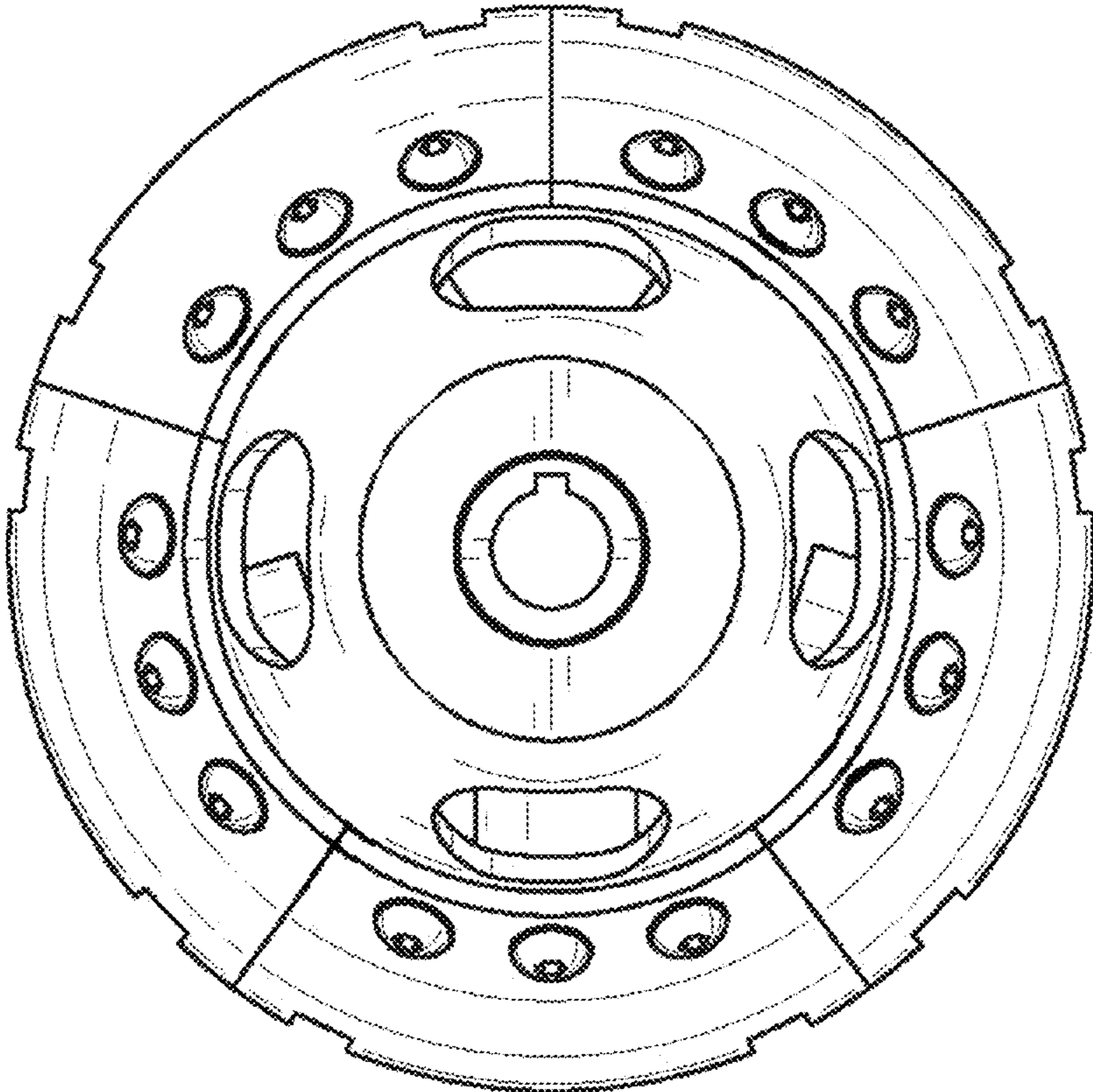


FIGURE 7

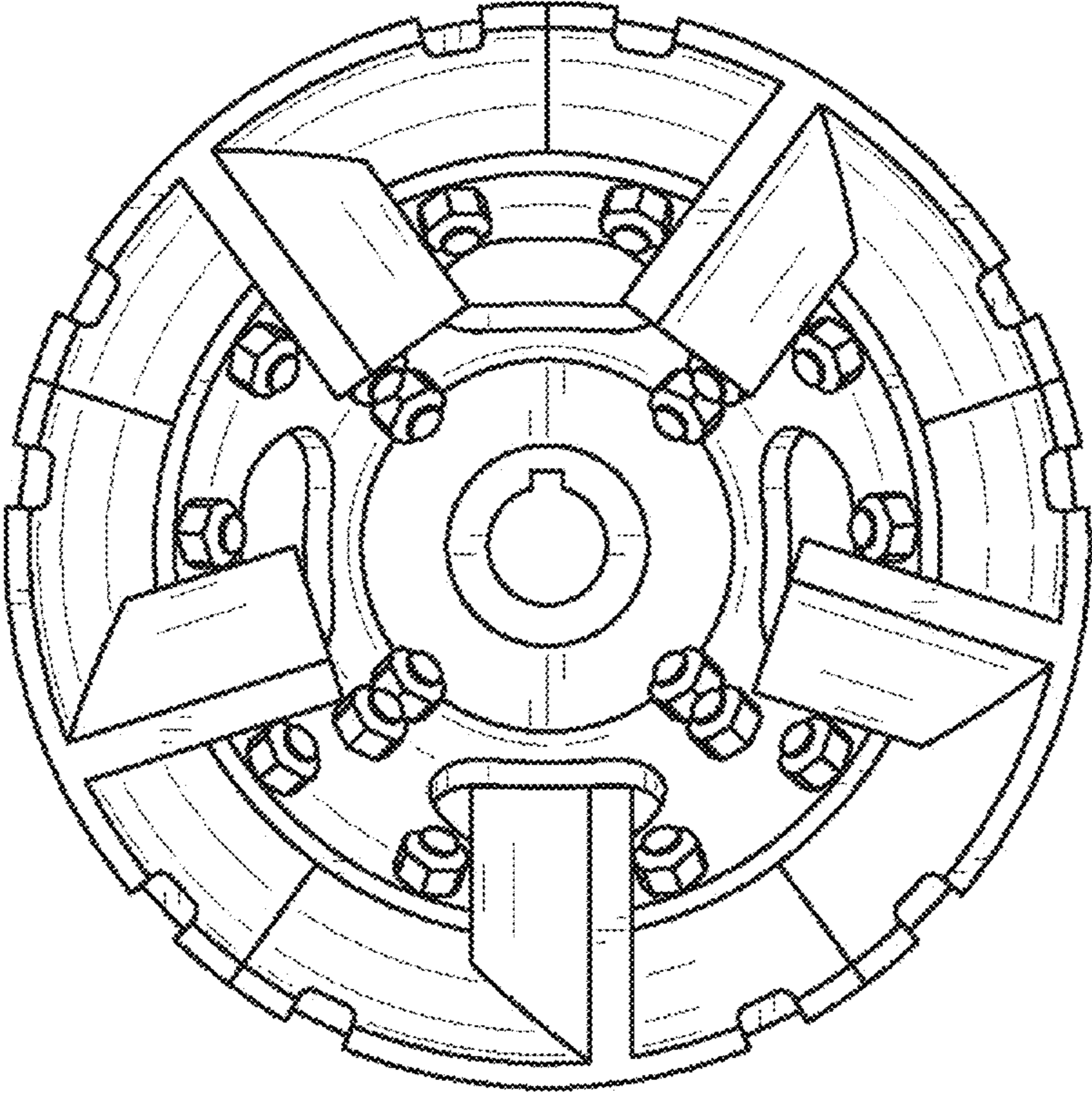


FIGURE 8

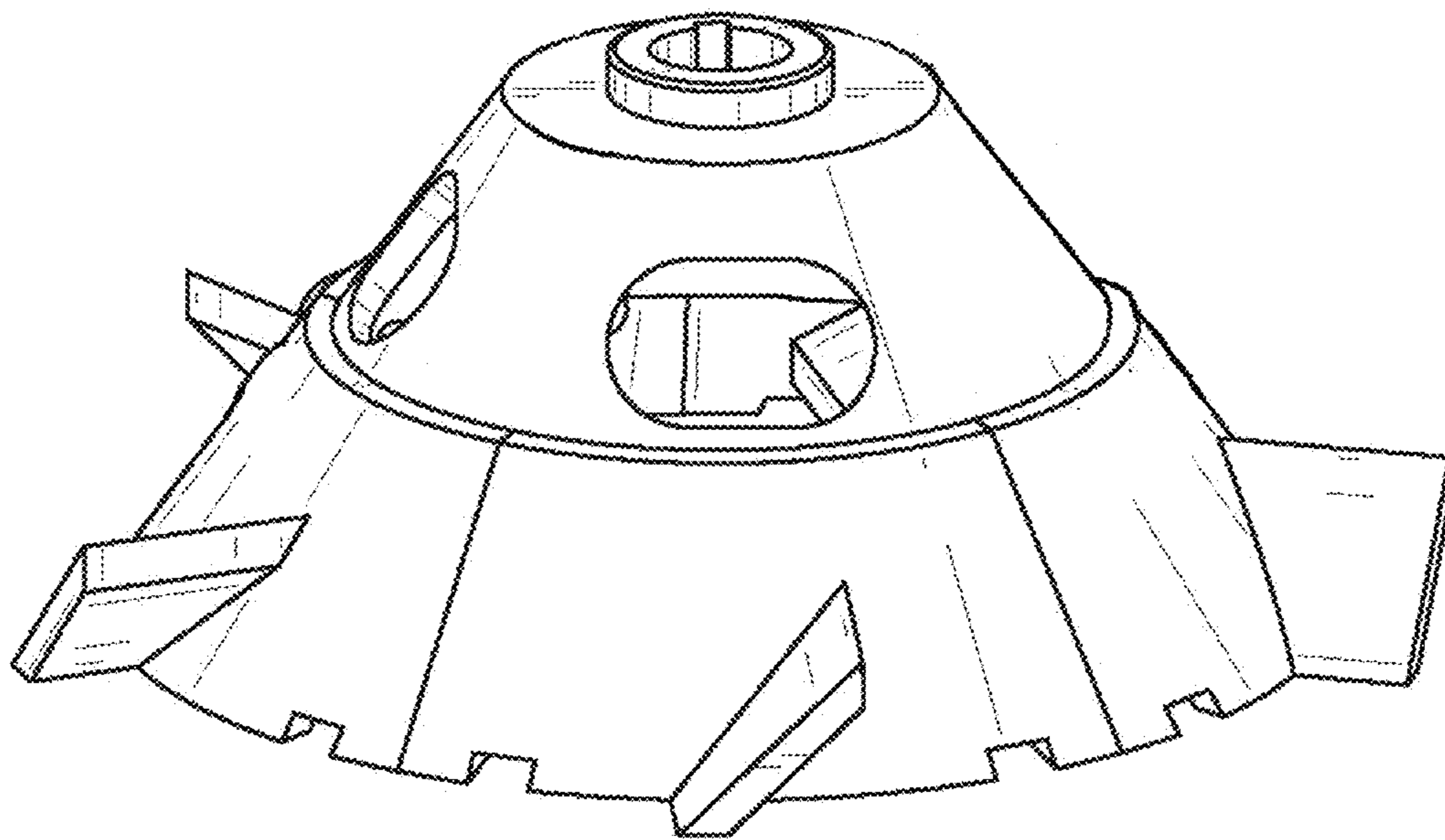


FIGURE 9

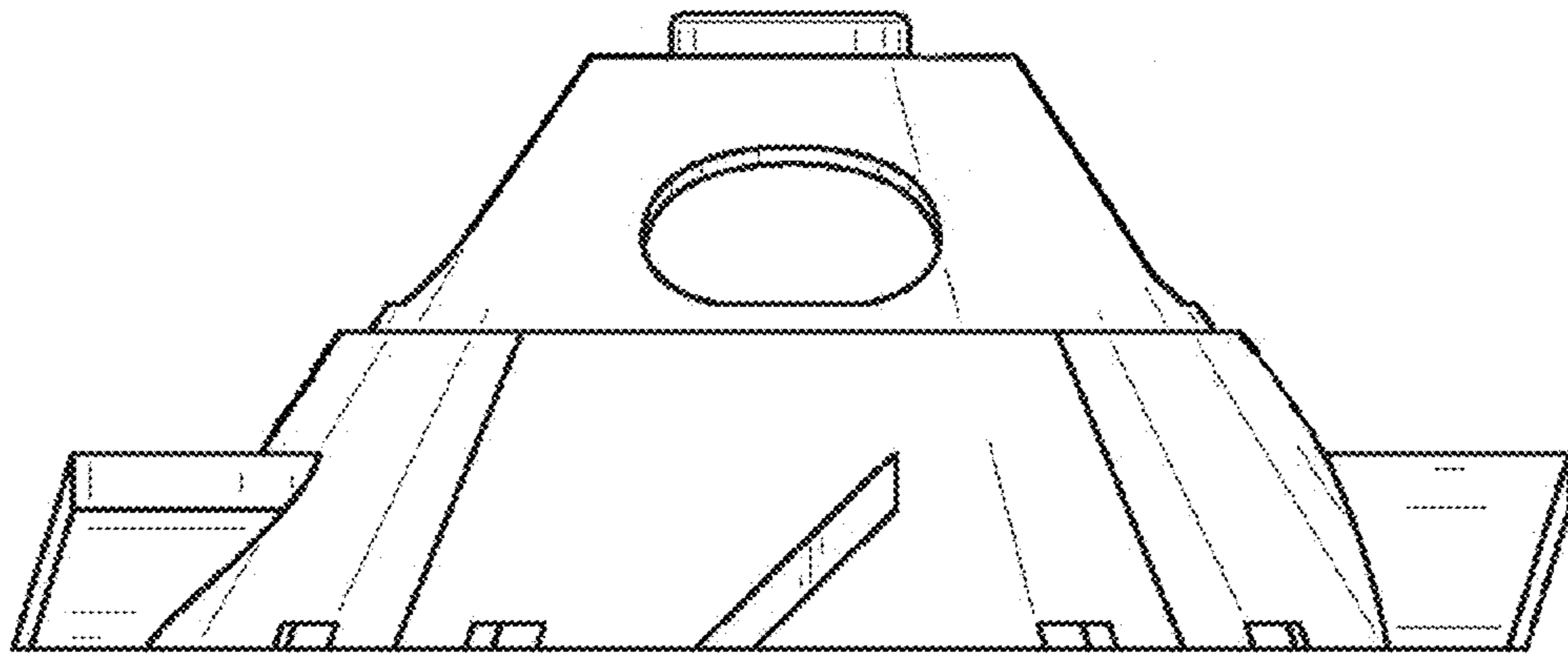


FIGURE 10

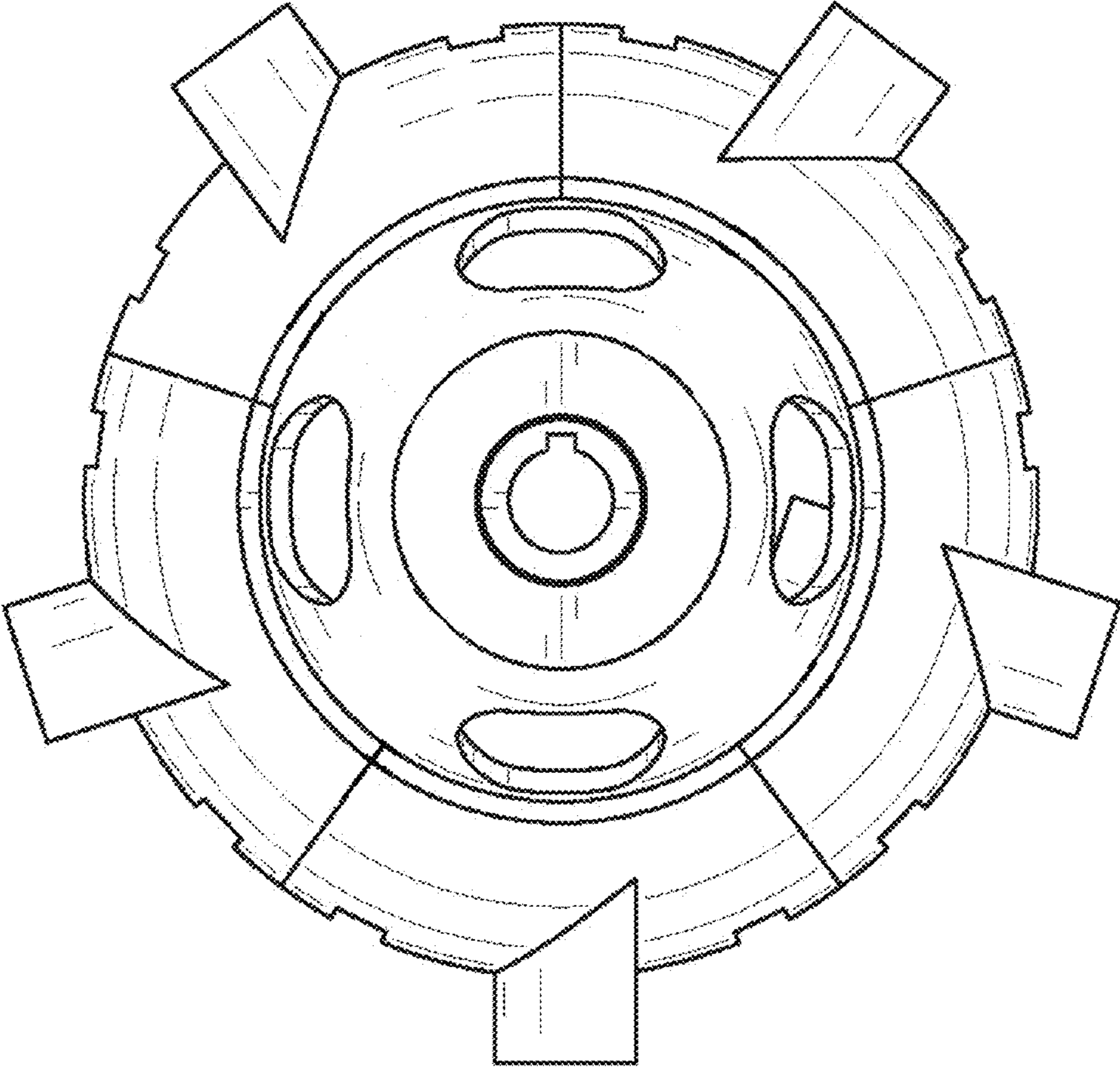


FIGURE 11

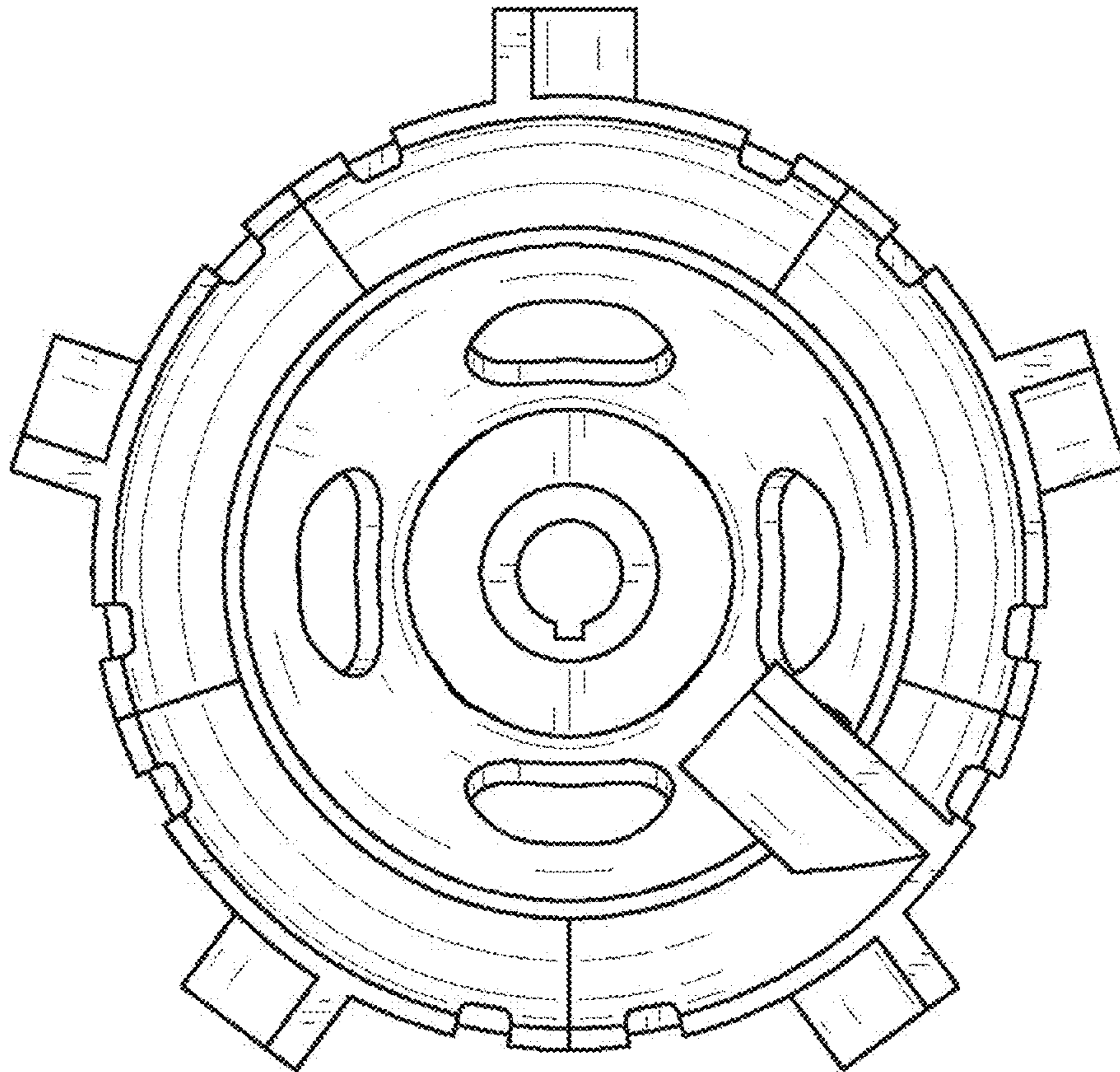


FIGURE 12