



US00D768741S

(12) **United States Design Patent**  
**Funakoshi et al.**

(10) **Patent No.:** **US D768,741 S**

(45) **Date of Patent:** **\*\* Oct. 11, 2016**

(54) **CASTING MACHINE**

(71) Applicant: **Sintokogio, Ltd.**, Nagoya-shi, Aichi (JP)

(72) Inventors: **Yukiyoshi Funakoshi**, Toyokawa (JP);  
**Keishiro Kaneda**, Toyokawa (JP);  
**Katsuhito Sato**, Toyokawa (JP)

(73) Assignee: **SINTOKOGIO, LTD.**, Nagoya-shi, Aichi (JP)

(\*\*) Term: **15 Years**

(21) Appl. No.: **29/537,304**

(22) Filed: **Aug. 25, 2015**

(30) **Foreign Application Priority Data**

Feb. 25, 2015 (JP) ..... D2015-003920

(51) **LOC (10) Cl.** ..... **15-09**

(52) **U.S. Cl.**  
USPC ..... **D15/135**

(58) **Field of Classification Search**  
USPC ..... D15/122, 135, 136, 137  
See application file for complete search history.

(56) **References Cited**

**U.S. PATENT DOCUMENTS**

D153,578 S *	5/1949	Bohannon	.....	D15/135
3,170,203 A *	2/1965	Harrison	.....	B22D 17/14 164/253
D208,431 S *	8/1967	Paulson	.....	D15/135
3,547,184 A *	12/1970	Navarro	.....	B22D 17/10 164/312
3,799,240 A *	3/1974	Baumann	.....	B22D 13/023 164/298
3,866,666 A *	2/1975	Wunder	.....	B22D 17/00 164/327
3,971,432 A *	7/1976	Hardey	.....	B22D 17/04 164/318
4,088,175 A *	5/1978	Cecere	.....	B22D 27/15 164/114

4,154,286 A *	5/1979	Glazunov	.....	B22D 17/10 164/133
4,240,497 A *	12/1980	Glazunov	.....	B22D 17/10 164/158
4,345,893 A *	8/1982	Prince	.....	B22D 17/10 425/190

(Continued)

**FOREIGN PATENT DOCUMENTS**

JP	H9-225622 A	9/1997
JP	2003-205359 A	7/2003

(Continued)

*Primary Examiner* — Patricia Palasik

(74) *Attorney, Agent, or Firm* — Jeremy Jay

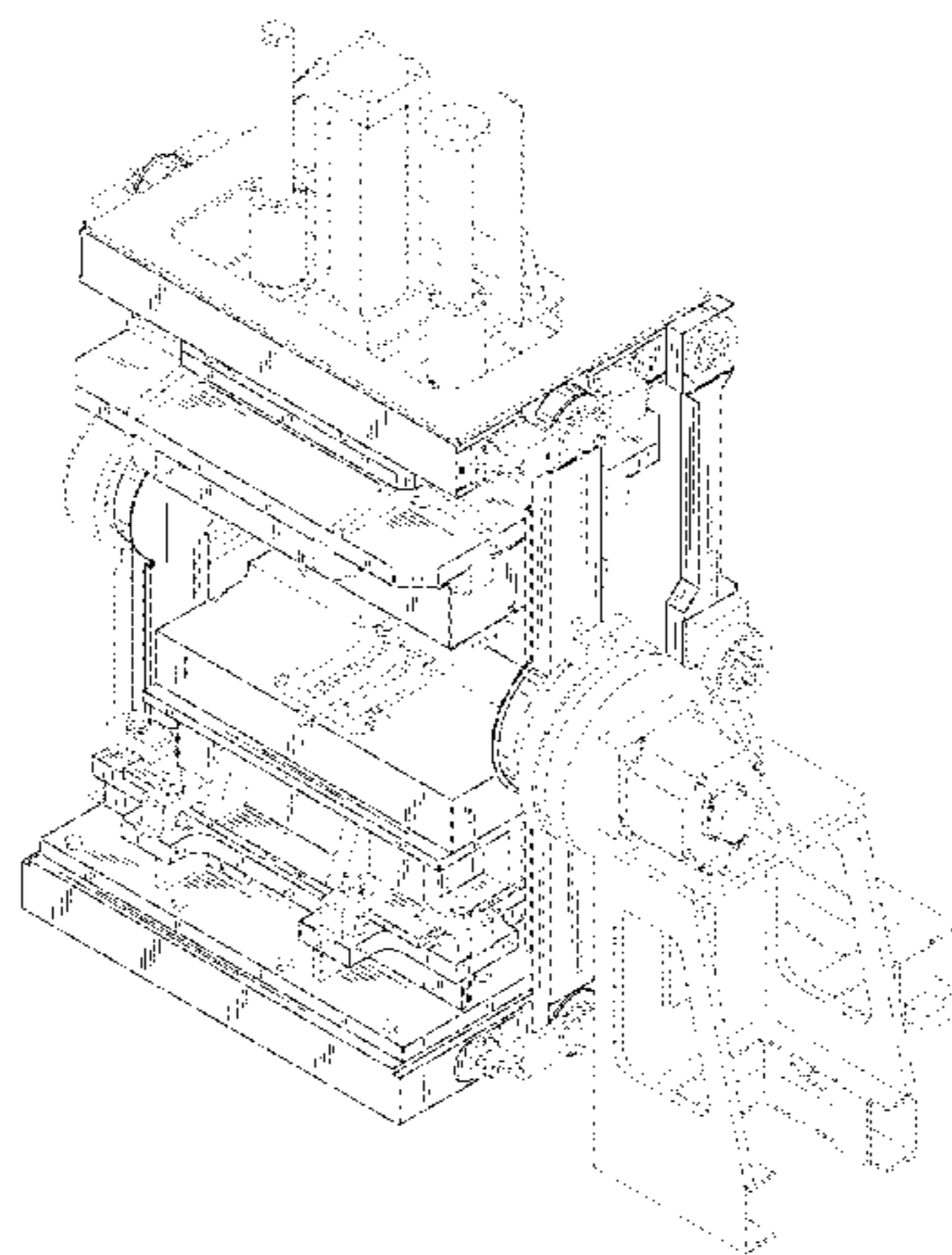
(57) **CLAIM**

The ornamental design for a casting machine, as shown and described.

**DESCRIPTION**

FIG. 1 is a front view of a casting machine of the present invention, including a lower mold portion and an upper mold portion linked via main link portions and sub link portions. FIG. 2 is a rear view of the casting machine of FIG. 1. FIG. 3 is a top plan view of the casting machine of FIG. 1. FIG. 4 is a bottom plan view of the casting machine of FIG. 1. FIG. 5 is a right side view of the casting machine of FIG. 1. FIG. 6 is a left side view of the casting machine of FIG. 1. FIG. 7 is a perspective view of the casting machine of FIG. 1. FIG. 8 is a view of the casting machine of FIG. 1 showing the lower mold portion moved forward. FIG. 9 is a view of the casting machine of FIG. 1 showing the upper and lower mold portions in a closed state. FIG. 10 is a view of the casting machine of FIG. 1 showing the mold portions in a tilted state; and, FIG. 11 is a view of the casting machine of FIG. 1 showing the upper mold portion moved forward. The features shown in broken lines depict environmental subject matter only and form no part of the claimed design.

**1 Claim, 11 Drawing Sheets**



(56)

References Cited

U.S. PATENT DOCUMENTS

D266,327 S \* 9/1982 Haight ..... D15/135  
 4,385,877 A \* 5/1983 Tanabe ..... B29C 45/0013  
 4,417,616 A \* 11/1983 Seitz ..... B22D 17/26  
 164/113  
 4,595,044 A \* 6/1986 Caugherty ..... B22D 17/2015  
 164/312  
 4,706,484 A \* 11/1987 Dittmar ..... B21B 13/10  
 72/225  
 4,719,676 A \* 1/1988 Sansone ..... B23B 3/30  
 29/26 A  
 D296,701 S \* 7/1988 Lindell ..... D15/135  
 D330,899 S \* 11/1992 Holbl ..... D15/135  
 D331,248 S \* 11/1992 Yeh ..... D15/135  
 5,207,264 A \* 5/1993 You ..... B22D 17/12  
 164/312  
 D336,479 S \* 6/1993 Shinagawa ..... D15/135  
 5,379,827 A \* 1/1995 Perrella ..... B22D 17/2015  
 164/316  
 D357,484 S \* 4/1995 Montague ..... D15/135  
 5,595,236 A \* 1/1997 Lee ..... B22D 17/10  
 164/319  
 5,964,274 A \* 10/1999 Brinkley ..... B29C 45/2673  
 164/312  
 D472,908 S \* 4/2003 Schaer ..... D15/147  
 6,772,819 B2 \* 8/2004 Shiose ..... B22D 18/04  
 164/119

6,942,010 B2 \* 9/2005 Osugi ..... B22D 23/006  
 164/336  
 6,978,823 B2 \* 12/2005 Thibault ..... B22D 17/2015  
 164/316  
 D547,336 S \* 7/2007 Kai ..... D15/122  
 D553,653 S \* 10/2007 Kai ..... D15/122  
 D617,356 S \* 6/2010 Wang ..... D15/135  
 7,806,161 B2 \* 10/2010 Jezwinski ..... B22C 11/10  
 164/130  
 D651,623 S \* 1/2012 Stillwell ..... D15/135  
 8,225,842 B2 \* 7/2012 Taniguchi ..... B22D 17/10  
 164/303  
 8,261,809 B2 \* 9/2012 Shiose ..... B22D 18/04  
 164/119  
 D690,331 S \* 9/2013 Kitamura ..... D15/122  
 D733,201 S \* 6/2015 Baak ..... D15/147  
 9,156,085 B2 \* 10/2015 Zammattio ..... B22D 17/10  
 9,289,821 B2 \* 3/2016 Lee ..... B22D 11/0622  
 9,370,822 B2 \* 6/2016 Boni ..... B22D 18/08  
 2008/0303183 A1 \* 12/2008 Rote ..... B29C 43/08  
 264/219

FOREIGN PATENT DOCUMENTS

JP 2007-054850 A 3/2007  
 JP 2010-005649 A 1/2010  
 TW 442222 6/2001  
 TW 200531764 A 10/2005  
 TW 159161 3/2014

\* cited by examiner

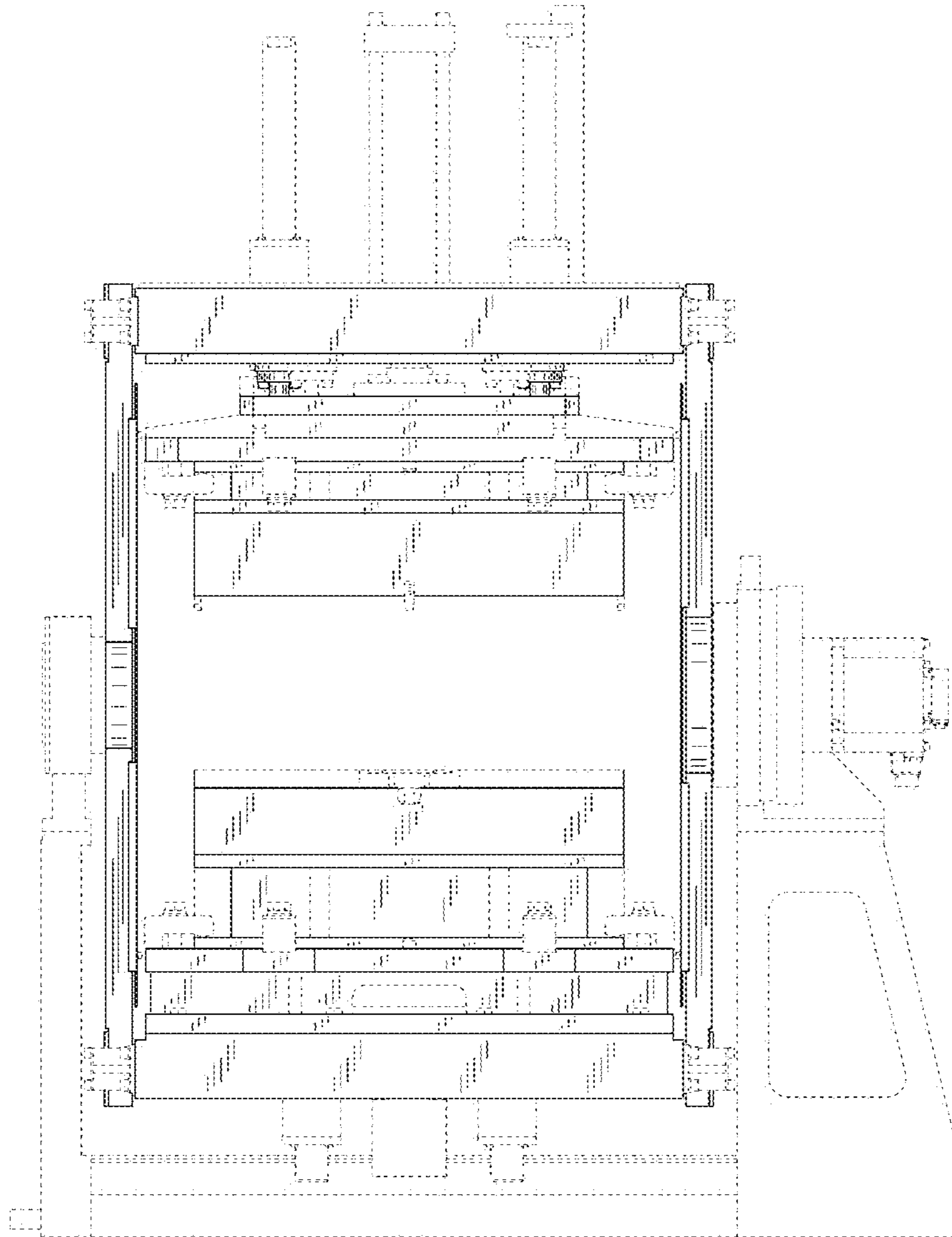


FIG. 1

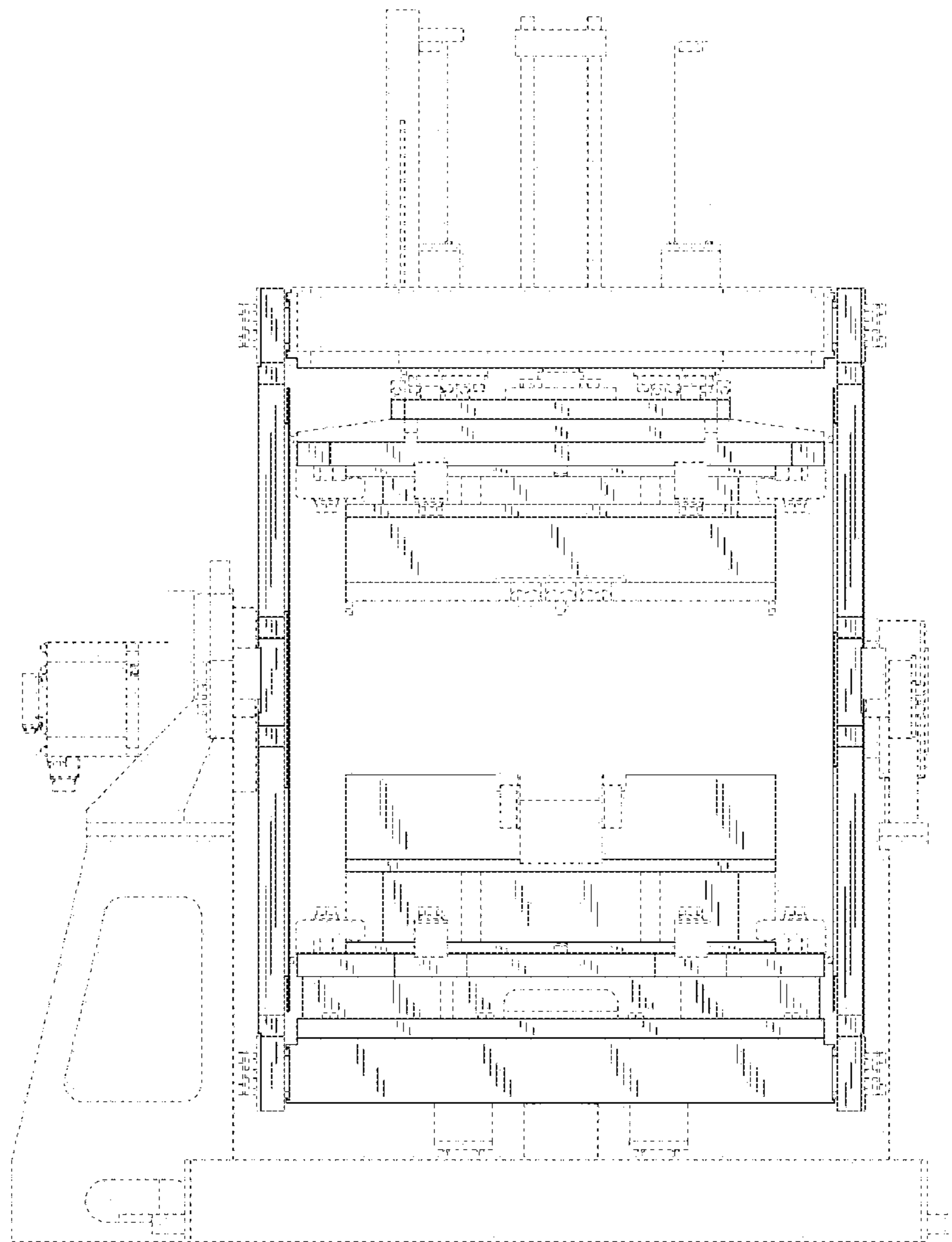


FIG. 2

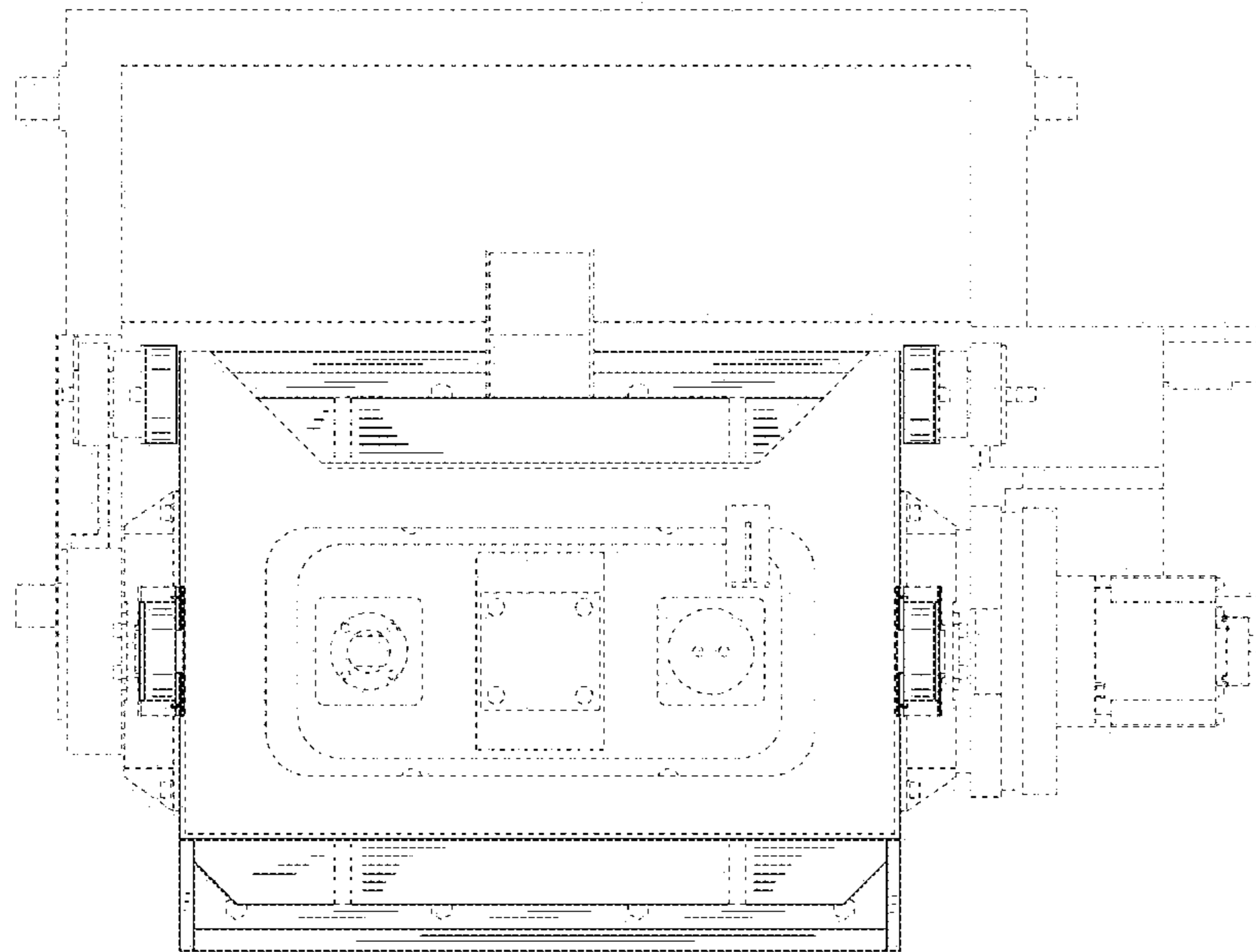


FIG. 3

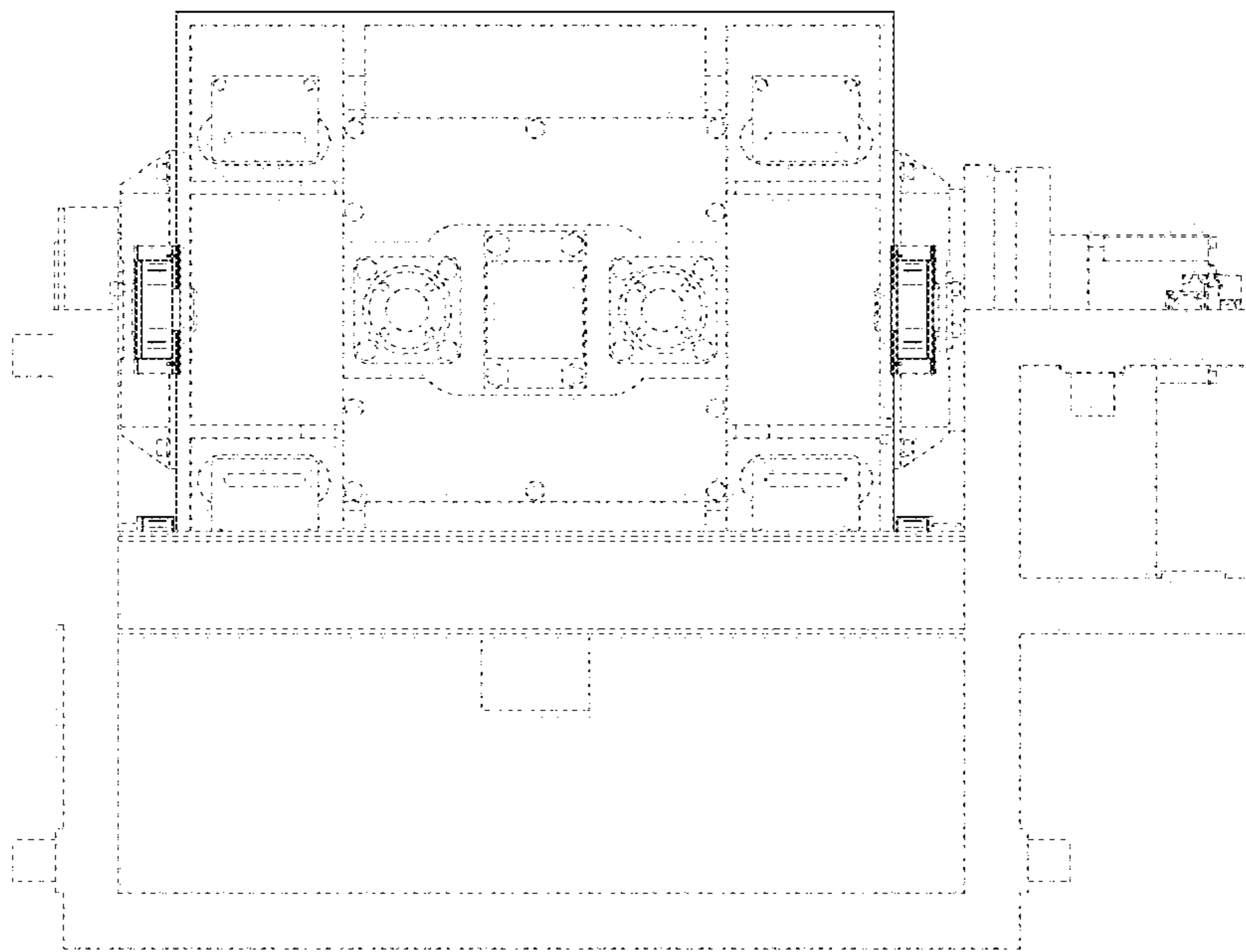


FIG. 4

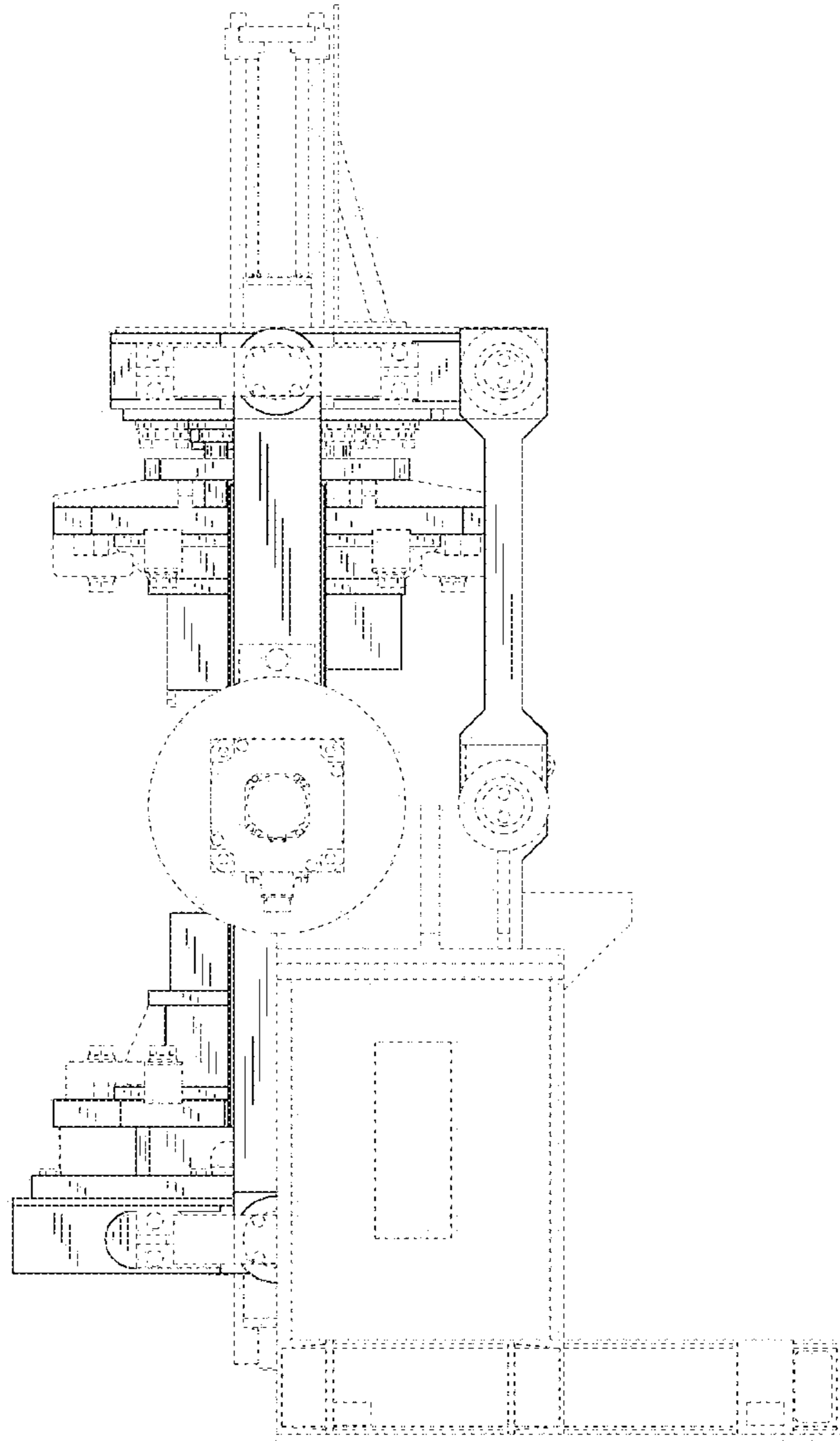


FIG. 5

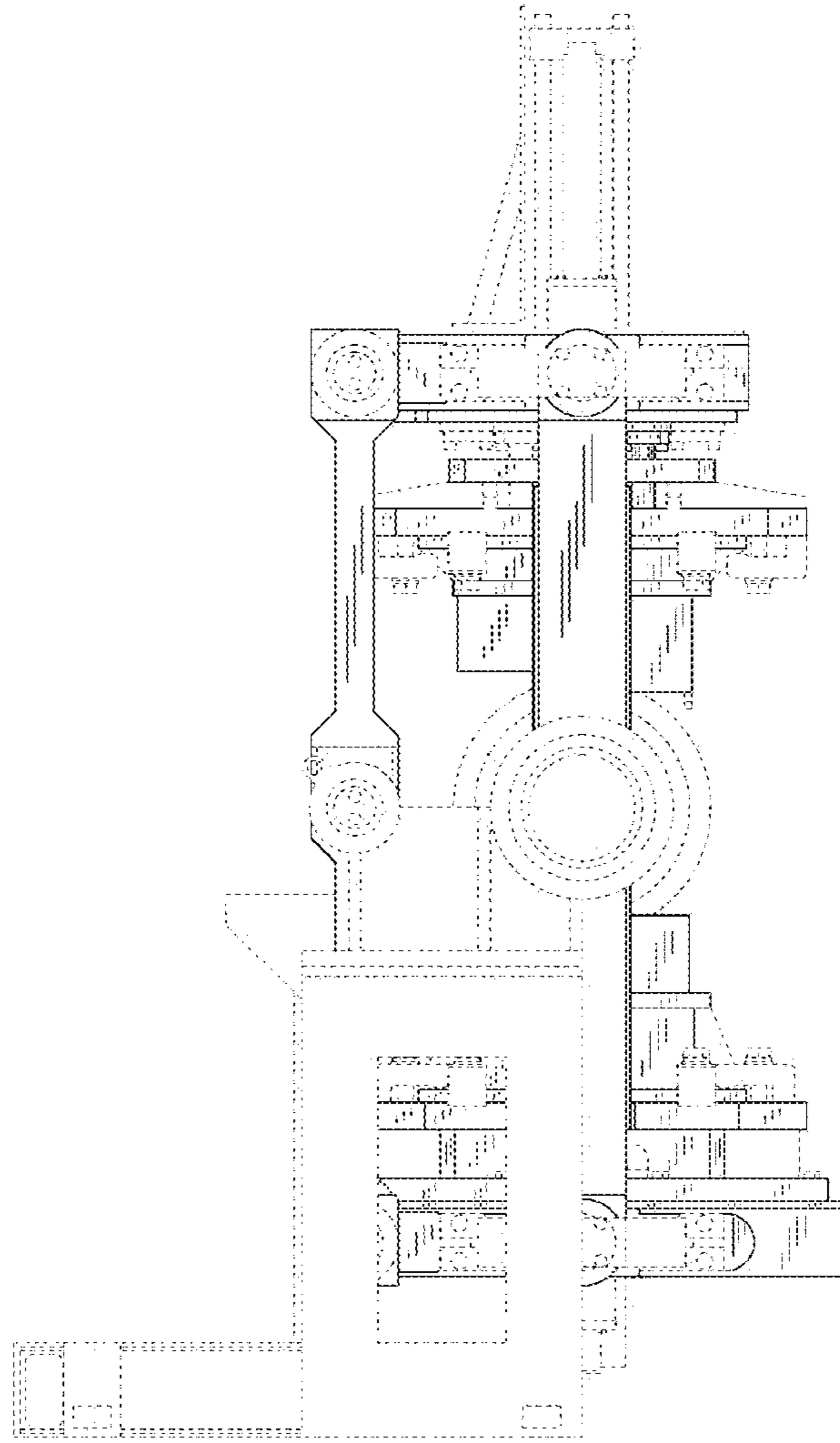


FIG. 6



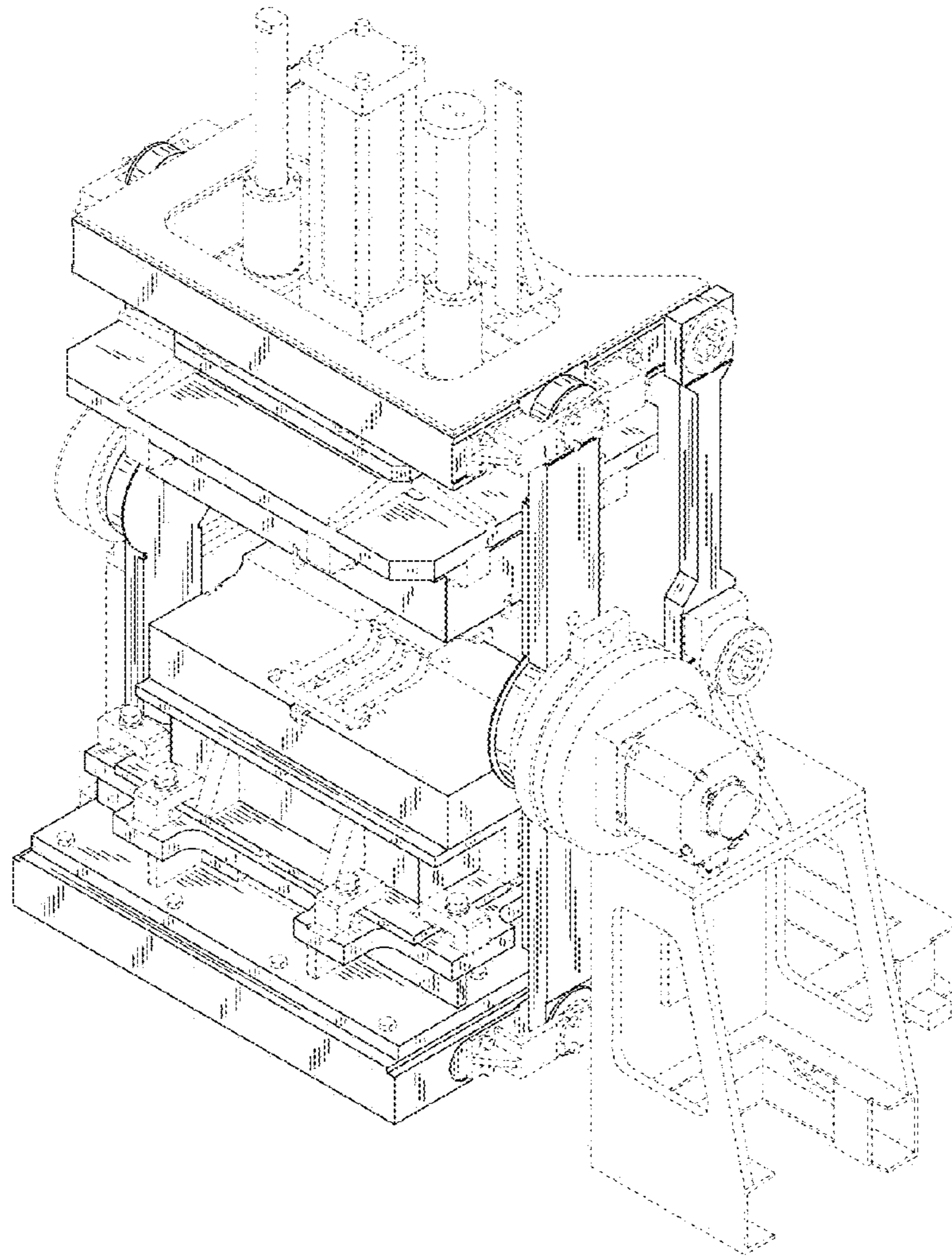


FIG. 7

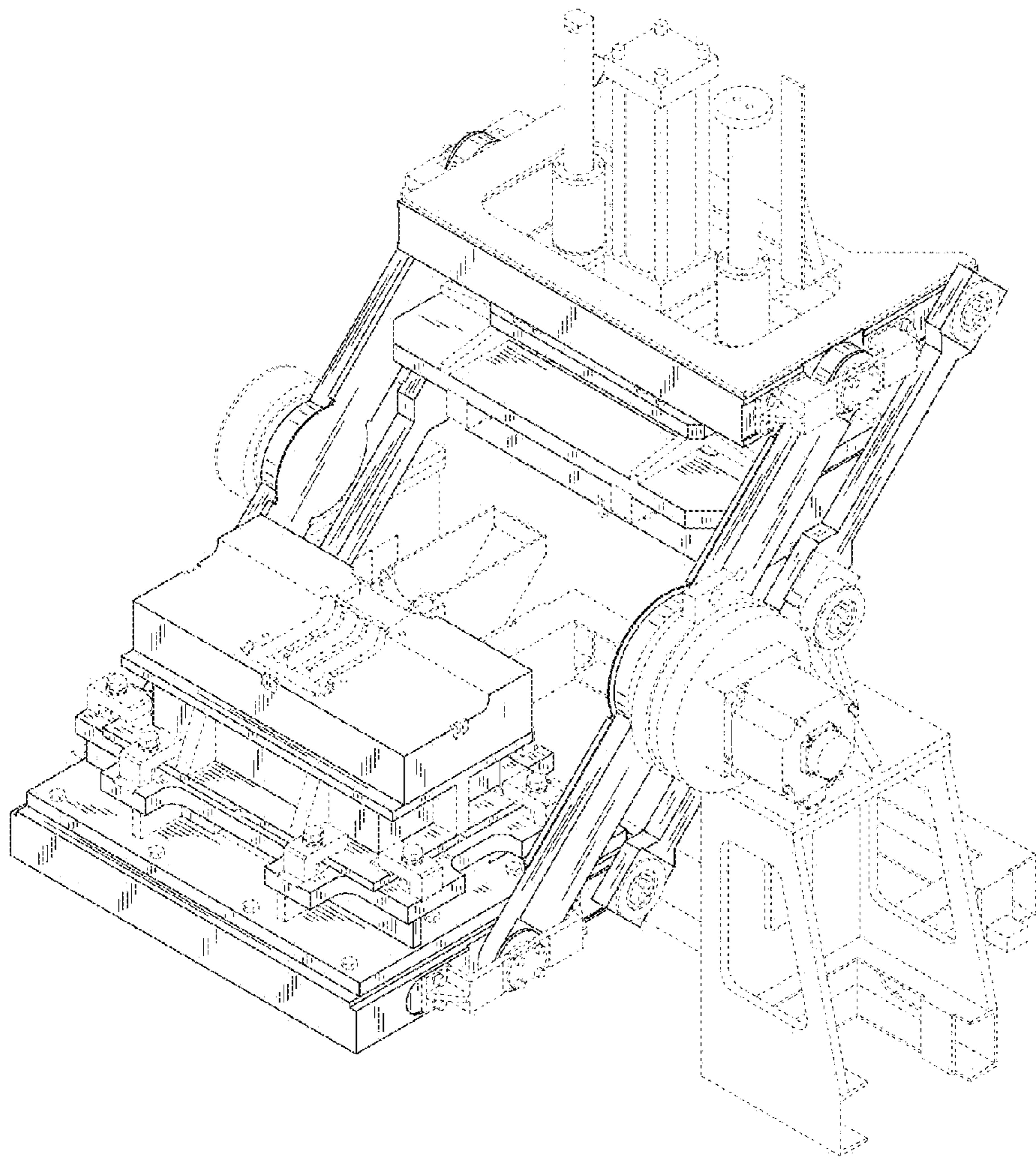


FIG. 8

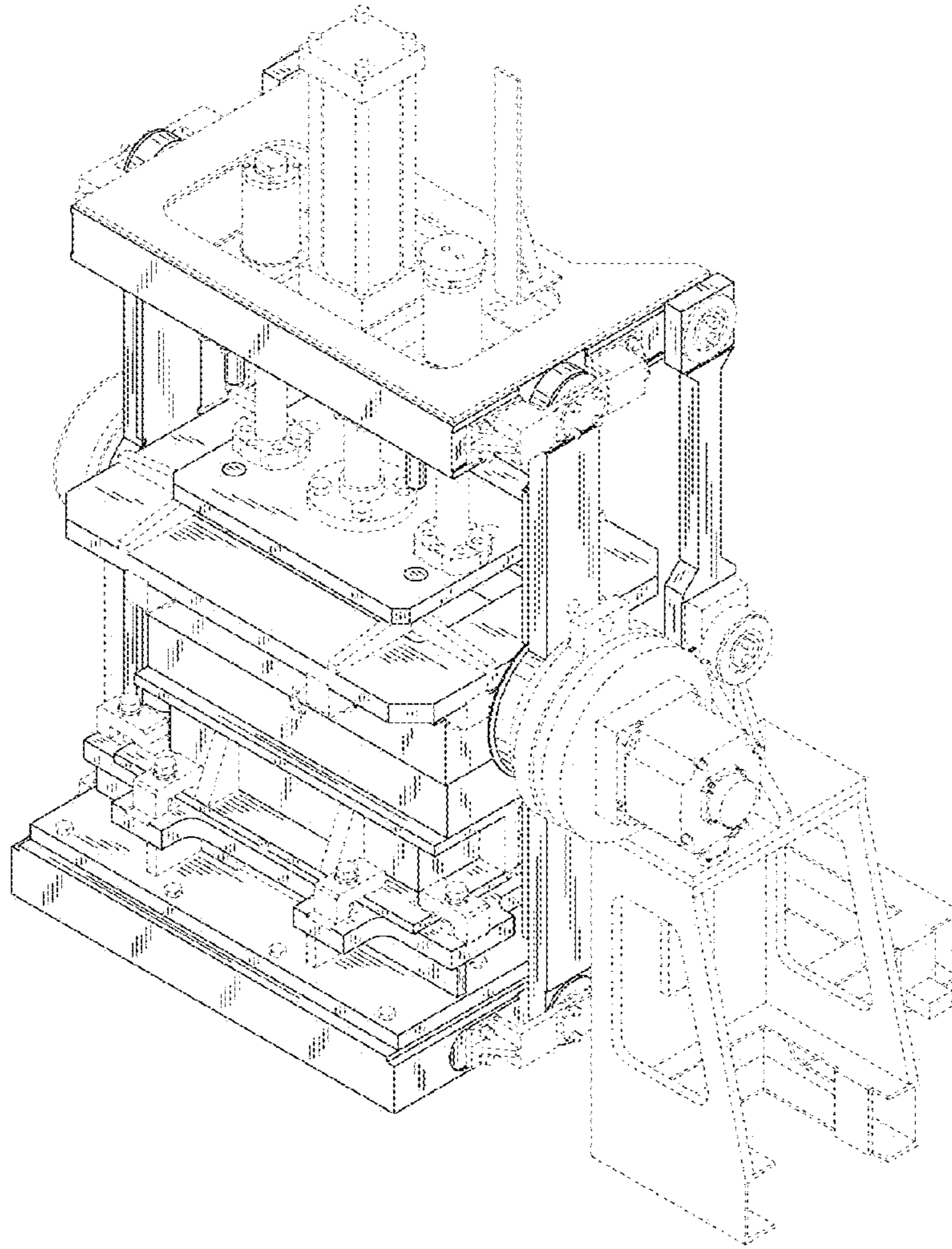


FIG. 9

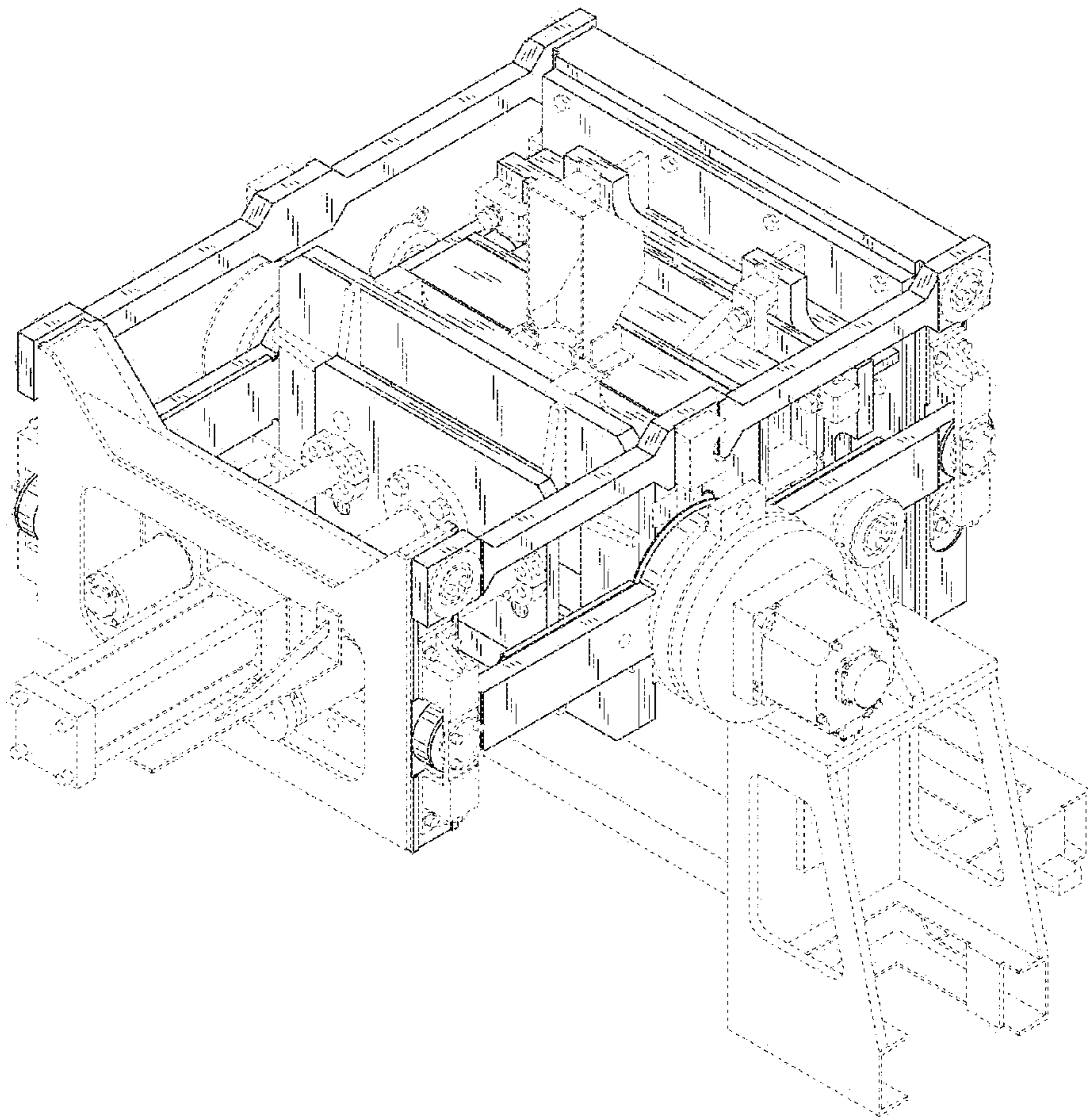


FIG. 10

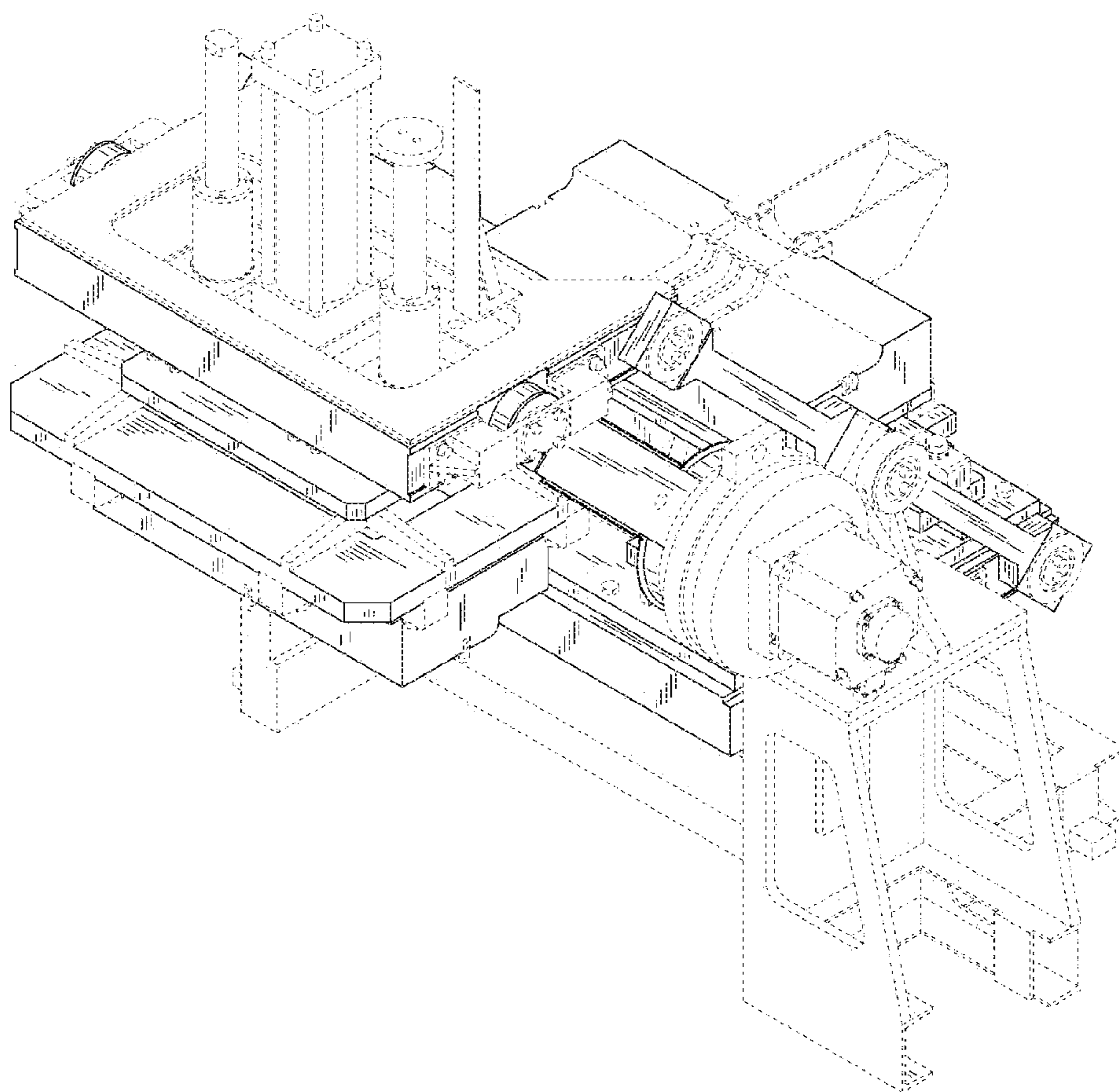


FIG. 11