



US00D768740S

(12) **United States Design Patent** (10) **Patent No.:** **US D768,740 S**  
**Akerstrom et al.** (45) **Date of Patent:** **\*\* Oct. 11, 2016**

- (54) **MIXER BAG SUPPORT VESSEL**
- (71) Applicant: **GE Healthcare Bio-Sciences Corp.**,  
Piscataway, NJ (US)
- (72) Inventors: **Patrik Berndt Akerstrom**, Uppsala  
(SE); **Richard Lee Damren**,  
Marlborough, MA (US); **Colin R.**  
**Tuohey**, Marlborough, MA (US);  
**Thomas Erdenberger**, Marlborough,  
MA (US); **Jonathan Kenney**,  
Marlborough, MA (US)
- (73) Assignee: **GE HEALTHCARE BIO-SCIENCES**  
**CORP.**, Piscataway, NJ (US)
- (\*\*) Term: **14 Years**
- (21) Appl. No.: **29/524,174**
- (22) Filed: **Apr. 17, 2015**
- (51) **LOC (10) Cl.** ..... **15-09**
- (52) **U.S. Cl.**  
USPC ..... **D15/122**
- (58) **Field of Classification Search**  
USPC ..... D15/19, 122, 147, 199  
See application file for complete search history.

- D534,551 S \* 1/2007 Kushlan ..... D15/19
- D547,518 S \* 7/2007 McConnell ..... D34/24
- D672,789 S \* 12/2012 Bongiovanni ..... D15/19
- D679,467 S \* 4/2013 Nicholson ..... D34/19
- 8,424,883 B1 \* 4/2013 Ramos ..... B62B 3/02  
108/145
- D697,284 S \* 1/2014 Ho ..... D34/12
- D697,685 S \* 1/2014 Maddux ..... D34/19
- D708,809 S \* 7/2014 Maddux ..... D34/19
- D747,064 S \* 1/2016 Brassard ..... D34/21
- 2003/0201697 A1 \* 10/2003 Richardson ..... A47B 81/00  
312/209

\* cited by examiner

*Primary Examiner* — Patricia Palasik

(74) *Attorney, Agent, or Firm* — Grogan, Tuccillo &  
Vanderleeden, LLP

(57) **CLAIM**

The ornamental design for a mixer bag support vessel, as shown and described.

**DESCRIPTION**

FIG. 1 is a perspective view of the mixer bag support vessel showing our new design.

FIG. 2 is a front view of the mixer bag support vessel of FIG. 1.

FIG. 3 is a back view of the mixer bag support vessel of FIG. 1.

FIG. 4 is a left side view of the mixer bag support vessel of FIG. 1.

FIG. 5 is a right side view of the mixer bag support vessel of FIG. 1.

FIG. 6 is a top plan view of the mixer bag support vessel of FIG. 1; and,

FIG. 7 is a bottom plan view of the mixer bag support vessel of FIG. 1.

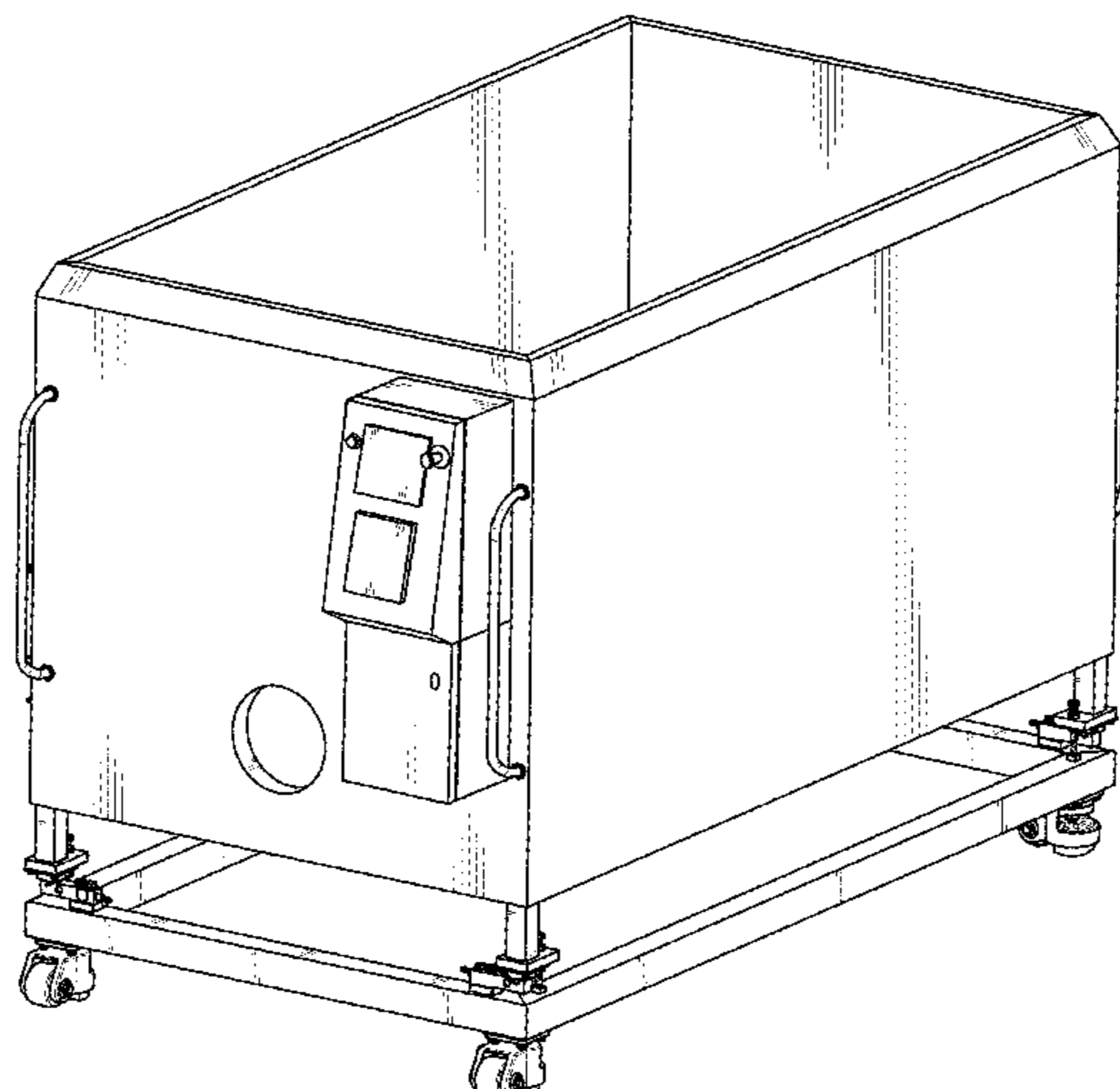
The design includes a support vessel for a mixer bag, which is composed of a stainless steel structure. The front end of the vessel includes a control box and the left side includes a support for a plurality of probes.

**1 Claim, 7 Drawing Sheets**

(56) **References Cited**

U.S. PATENT DOCUMENTS

- 4,705,446 A \* 11/1987 Miller ..... B65F 1/12  
220/908
- D300,069 S \* 2/1989 Abel ..... D34/19
- D304,635 S \* 11/1989 Barrett ..... D34/17
- D311,619 S \* 10/1990 Gravagna ..... D12/15
- D323,051 S \* 1/1992 Baggott ..... D34/14
- D331,136 S \* 11/1992 Davis ..... D34/19
- D440,369 S \* 4/2001 LaFollette, Jr. .... D34/19
- D443,965 S \* 6/2001 Gaalswyk ..... D34/14
- D452,357 S \* 12/2001 Stravitz ..... D34/17
- D459,365 S \* 6/2002 Myers ..... D15/19
- D493,593 S \* 7/2004 Anderson ..... D34/14
- D510,168 S \* 9/2005 Lovegrove ..... D34/17



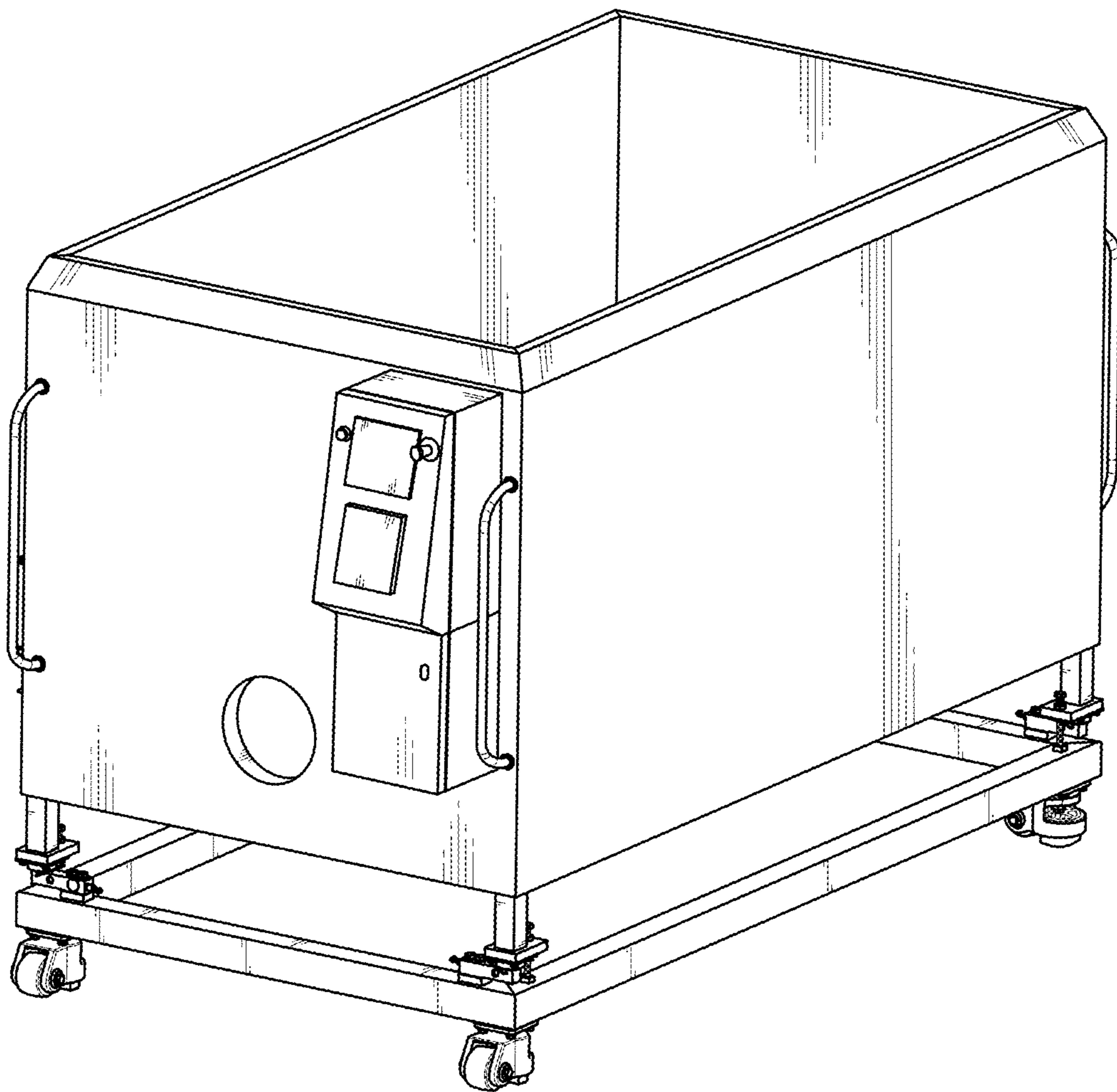


FIG. 1

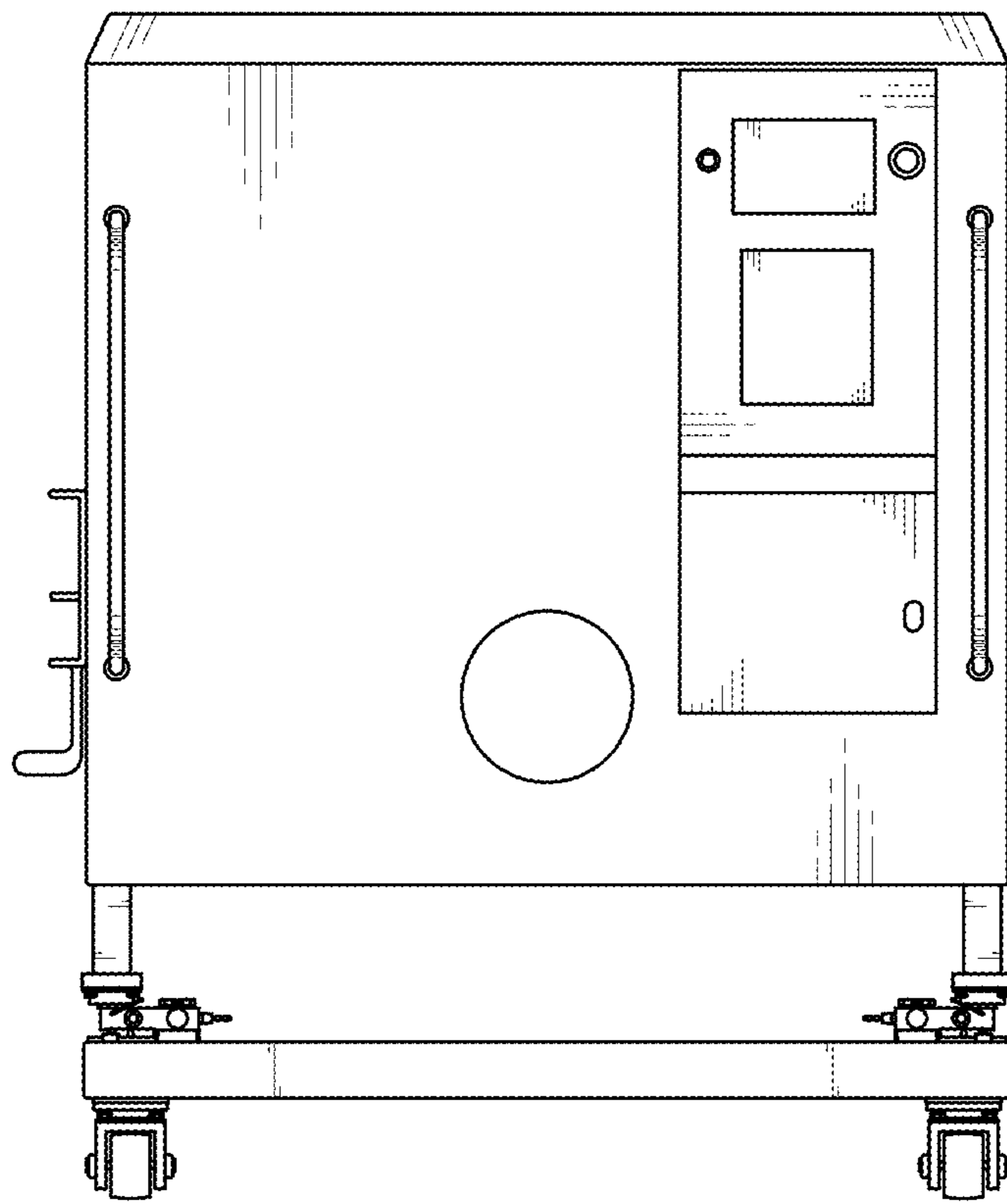


FIG. 2

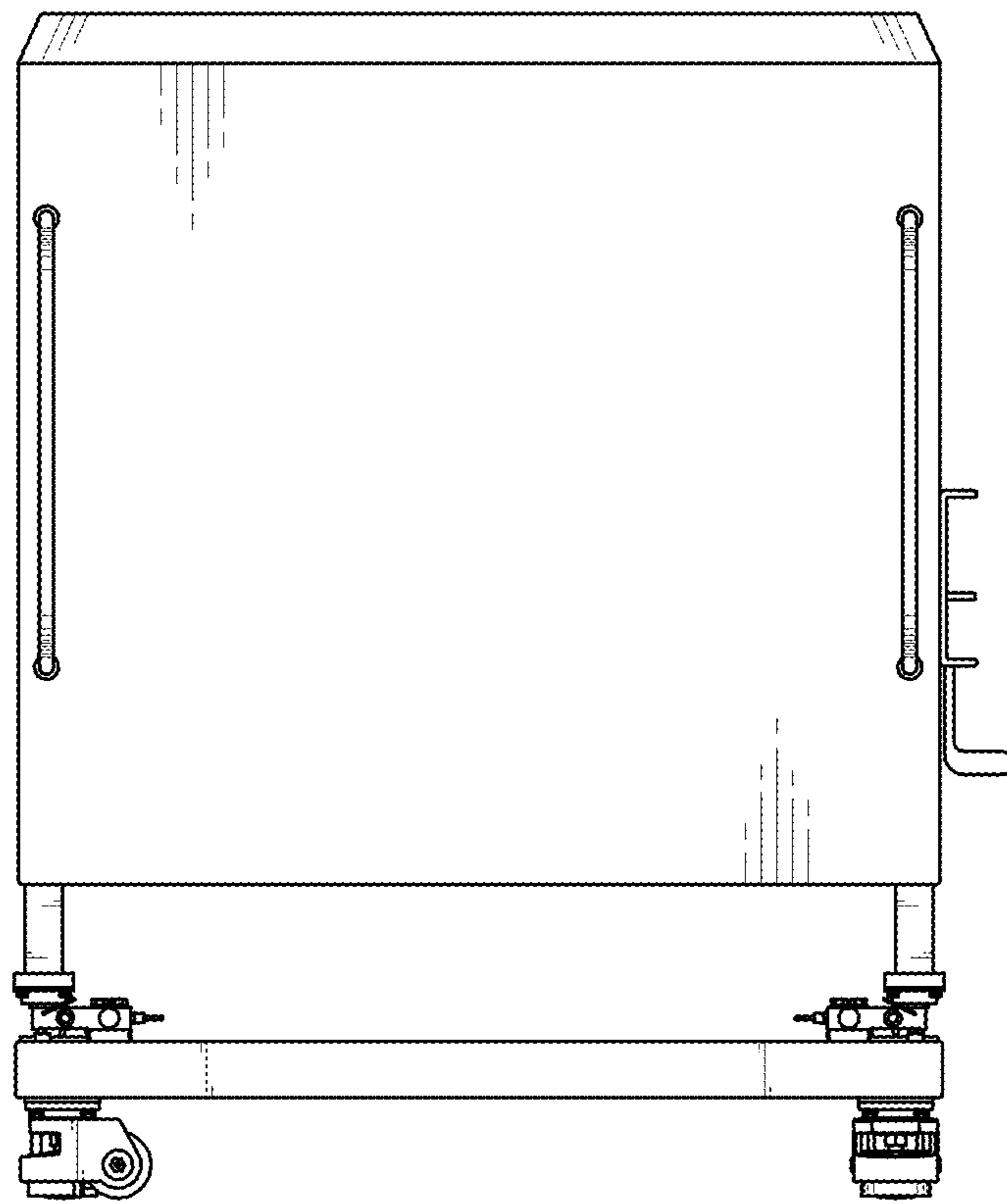


FIG. 3

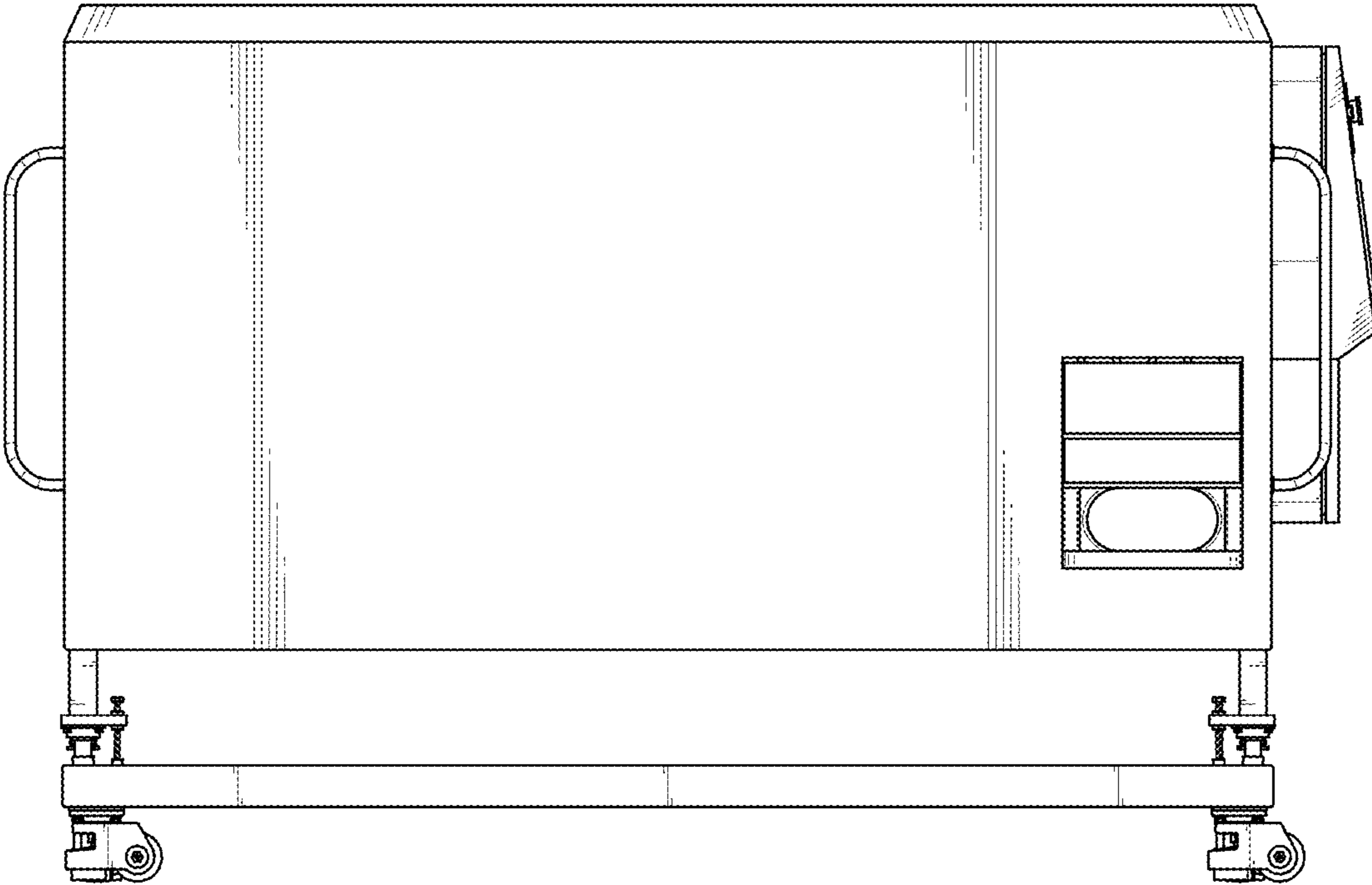


FIG. 4

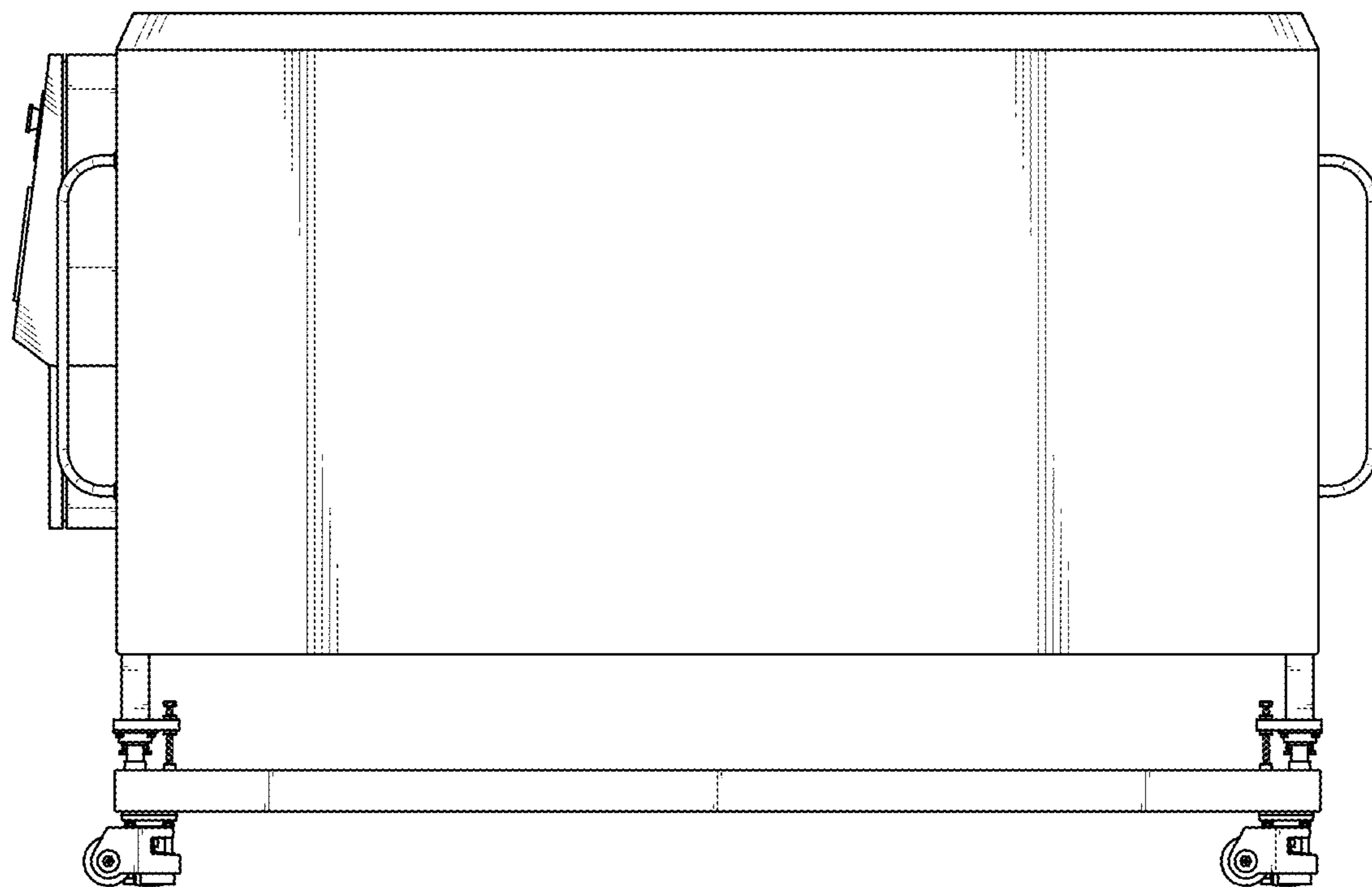


FIG. 5

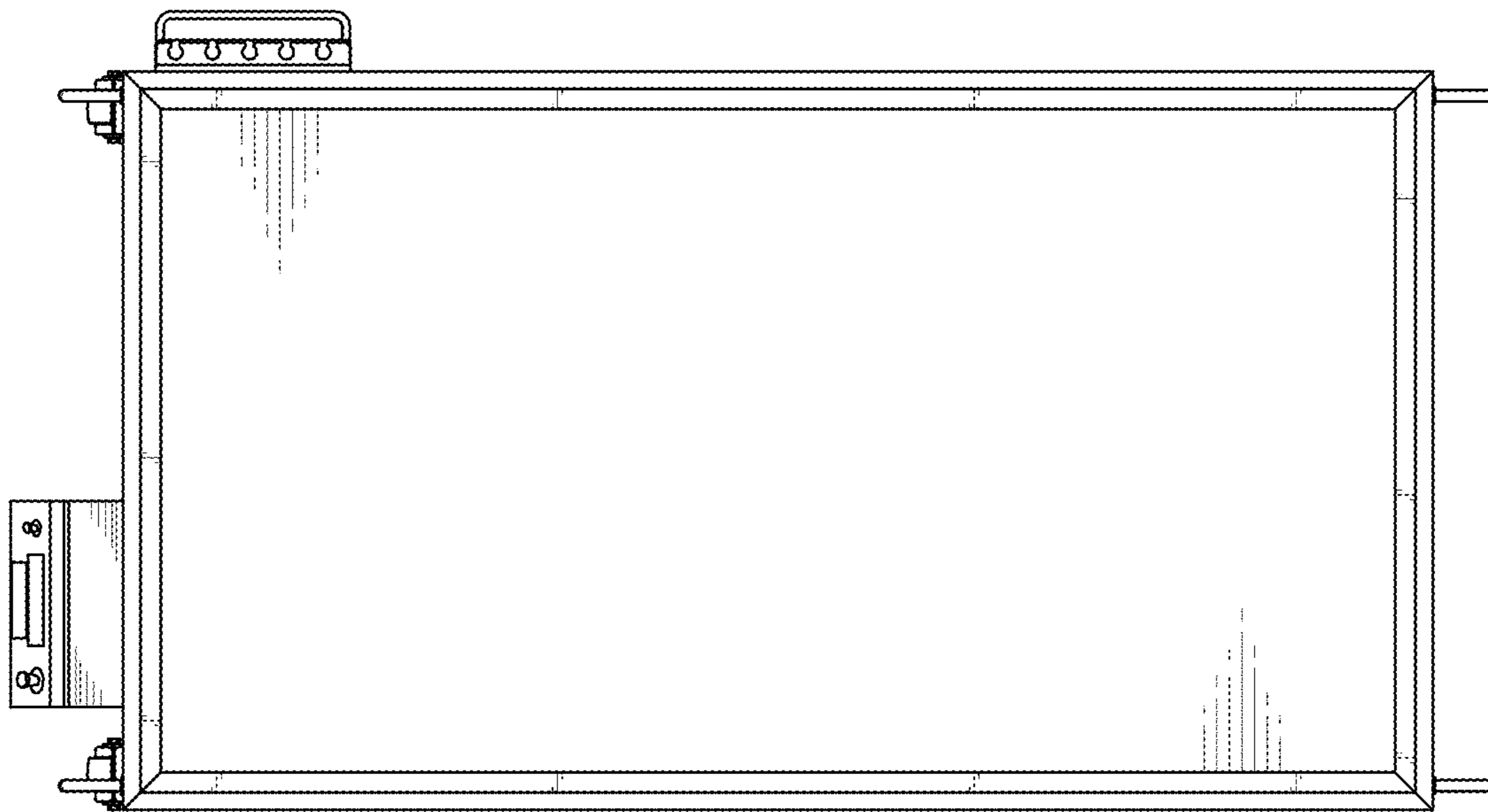


FIG. 6

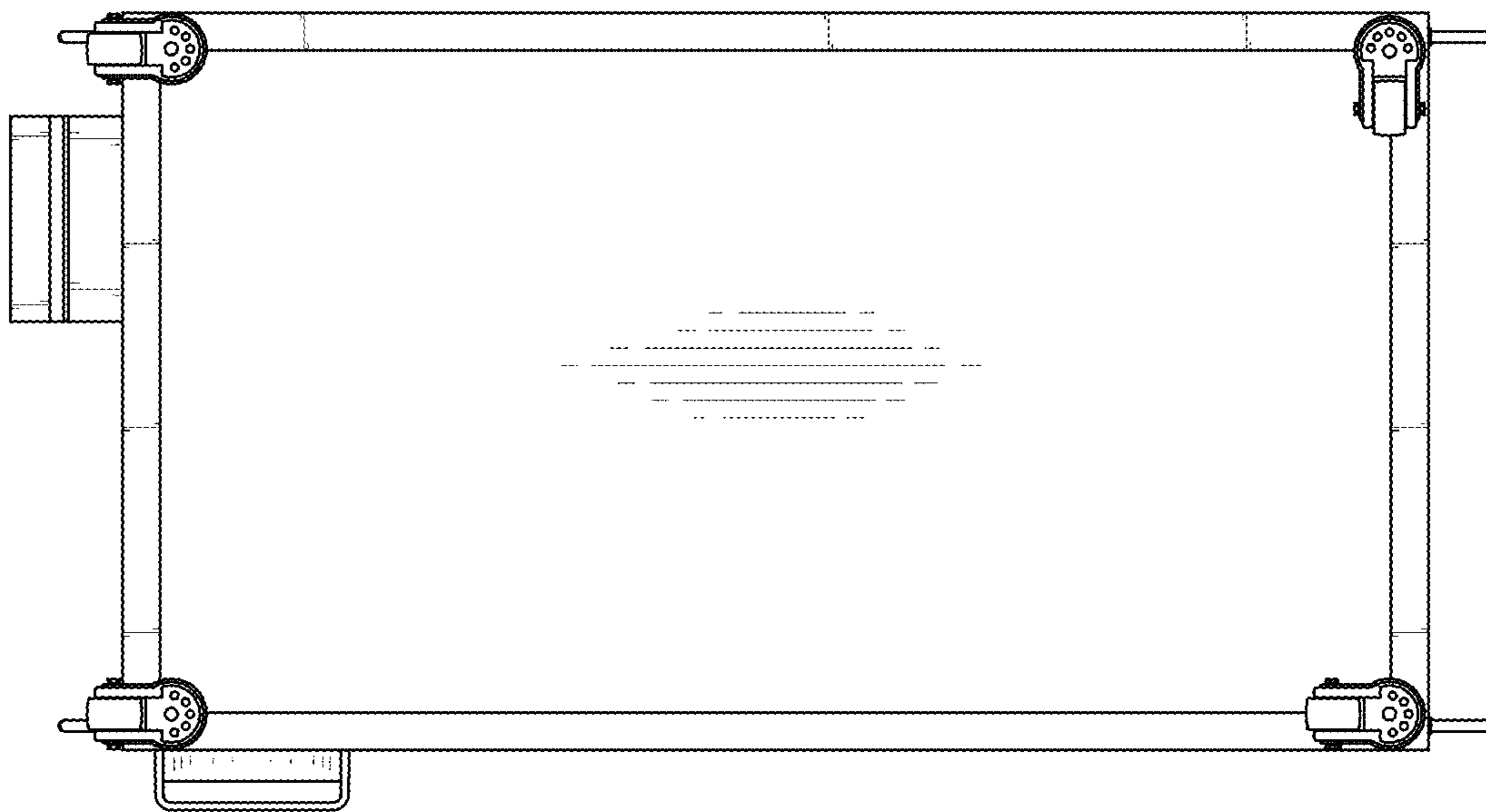


FIG. 7



UNITED STATES PATENT AND TRADEMARK OFFICE  
**CERTIFICATE OF CORRECTION**

PATENT NO. : D768,740 S  
APPLICATION NO. : 29/524174  
DATED : October 11, 2016  
INVENTOR(S) : Patrik Berndt Akerstrom et al.

Page 1 of 1

It is certified that error appears in the above-identified patent and that said Letters Patent is hereby corrected as shown below:

On the Title Page

Item (72), please add the following list of Inventors:

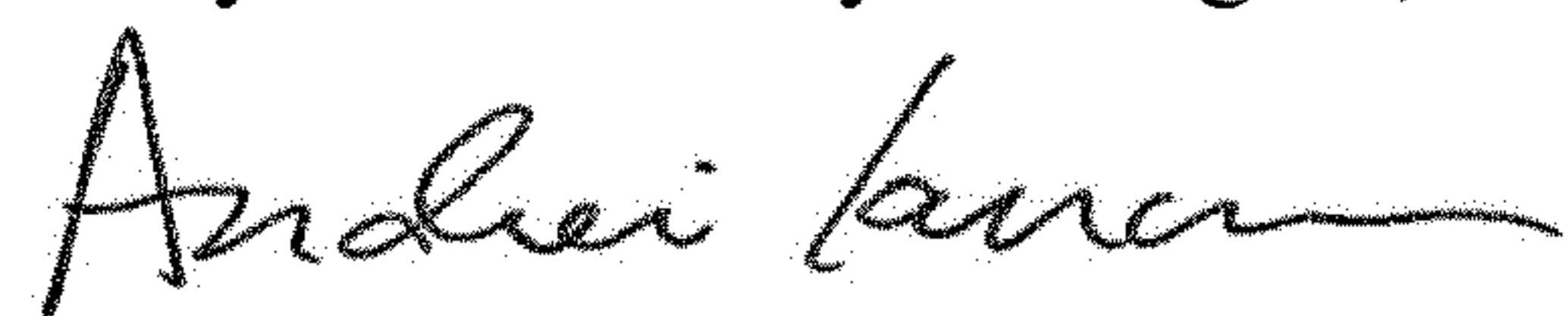
--David Lawrence Brazell

Wei Jin

Roberto Miguel Cabral

Sampath Telikicherla Kandala--

Signed and Sealed this  
Twenty-seventh Day of August, 2019



Andrei Iancu  
*Director of the United States Patent and Trademark Office*