



US00D768738S

(12) **United States Design Patent**  
**Lee et al.**

(10) **Patent No.:** **US D768,738 S**  
(45) **Date of Patent:** **\*\* Oct. 11, 2016**

(54) **REFRIGERATOR DOOR**

D707,735 S \* 6/2014 Cho ..... D15/91  
D723,595 S \* 3/2015 You ..... D15/91  
D738,942 S \* 9/2015 Choi ..... D15/91

(71) Applicant: **LG ELECTRONICS INC.**, Seoul  
(KR)

\* cited by examiner

(72) Inventors: **Hangbok Lee**, Seoul (KR); **Hongsik Kwon**, Seoul (KR); **Minsub Kim**, Seoul (KR); **Jungkyu Son**, Seoul (KR); **Eugene Suh**, Seoul (KR); **Junyi Heo**, Seoul (KR)

*Primary Examiner* — Daniel Bui  
*Assistant Examiner* — Khawaja Anwar  
(74) *Attorney, Agent, or Firm* — Birch, Stewart, Kolasch & Birch, LLP

(73) Assignee: **LG ELECTRONICS INC.**, Seoul  
(KR)

(57) **CLAIM**

We claim the ornamental design for a refrigerator door, as shown and described.

(\*\*) Term: **14 Years**

**DESCRIPTION**

(21) Appl. No.: **29/522,045**

(22) Filed: **Mar. 27, 2015**

(30) **Foreign Application Priority Data**

Jan. 13, 2015 (KR) ..... 30-2015-0001561

(51) **LOC (10) Cl.** ..... **15-07**

(52) **U.S. Cl.**  
USPC ..... **D15/91**

(58) **Field of Classification Search**  
USPC ..... D15/79-91; D6/559-561; D32/1, 5, D32/8-10, 25  
CPC .... F25D 23/028; F25D 23/02; F25D 25/025; F25D 23/00; F25D 2323/021; F25D 11/00; F25D 2323/024; F25D 23/04; F25D 29/00; F25D 25/02; F25D 25/024; F25D 27/005; F25D 23/12; F25D 29/005; F25D 17/042; F25D 2325/021

See application file for complete search history.

FIG. 1 is a perspective view of a refrigerator door showing our new design, with its inner door closed;  
FIG. 2 is a front elevation view thereof;  
FIG. 3 is a rear elevation view thereof;  
FIG. 4 is a left-side elevation view thereof;  
FIG. 5 is a right-side elevation view thereof;  
FIG. 6 is a top plan view thereof;  
FIG. 7 is a bottom plan view thereof;  
FIG. 8 is a perspective view with the inner door thereof opened;  
FIG. 9 is a front elevation view with the inner door thereof opened;  
FIG. 10 is a right-side elevation view with the inner door thereof opened;  
FIG. 11 is a top plan view with the inner door thereof opened;  
FIG. 12 is a perspective view thereof, shown in a typical environment in use condition;  
FIG. 13 is a perspective view thereof, shown in use in a typical environment; and,  
FIG. 14 is another perspective view thereof, shown in use in a typical environment.

The broken lines in the drawing figures are included for the purpose of illustrating environment and form no part of the claimed design.

(56) **References Cited**

**U.S. PATENT DOCUMENTS**

D321,451 S \* 11/1991 Greve ..... D6/559  
D497,069 S \* 10/2004 Aisley ..... D6/559  
D544,277 S \* 6/2007 Hoyvik ..... D6/559  
D702,742 S \* 4/2014 Hwan ..... D15/91

**1 Claim, 13 Drawing Sheets**

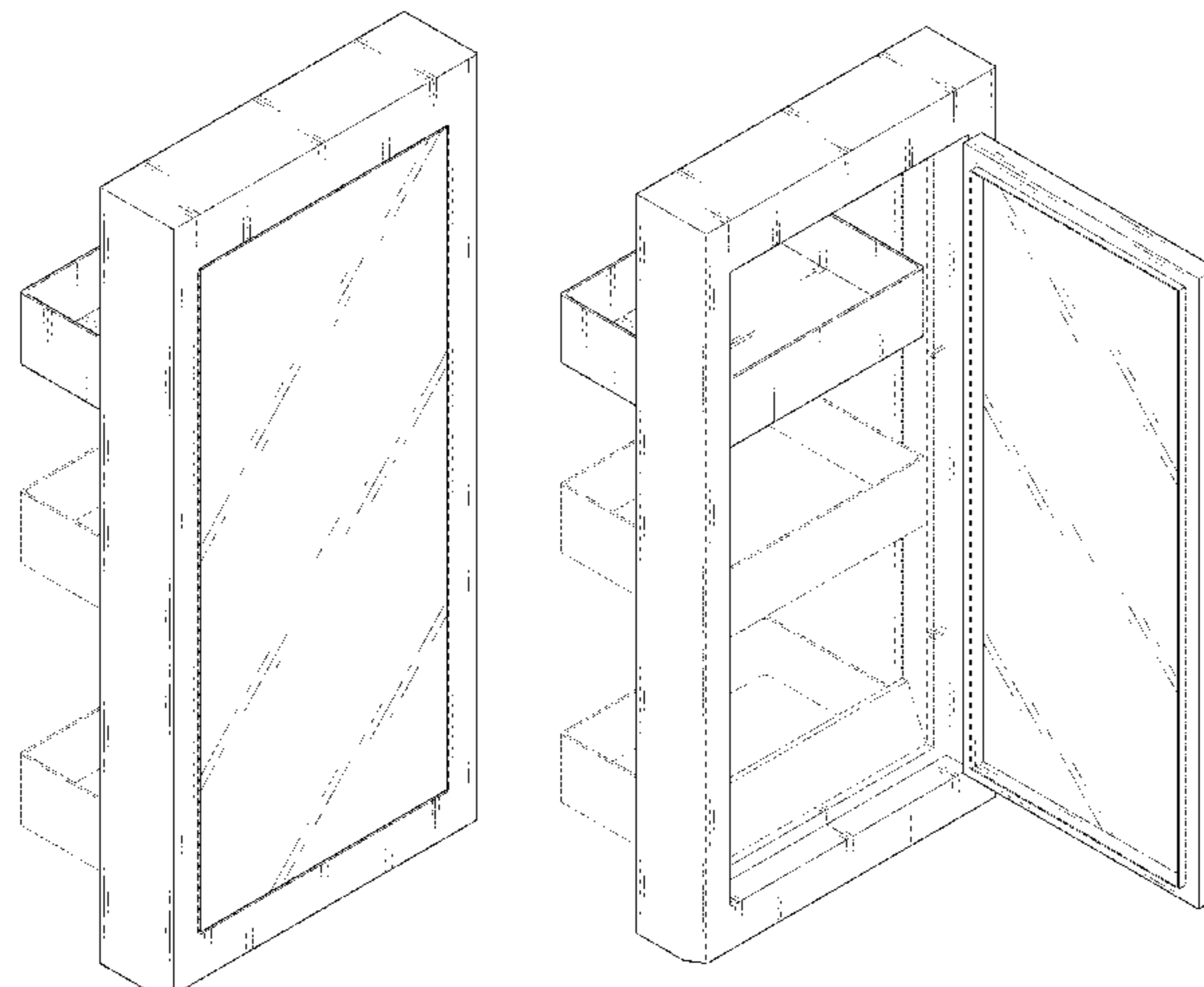


FIG. 1

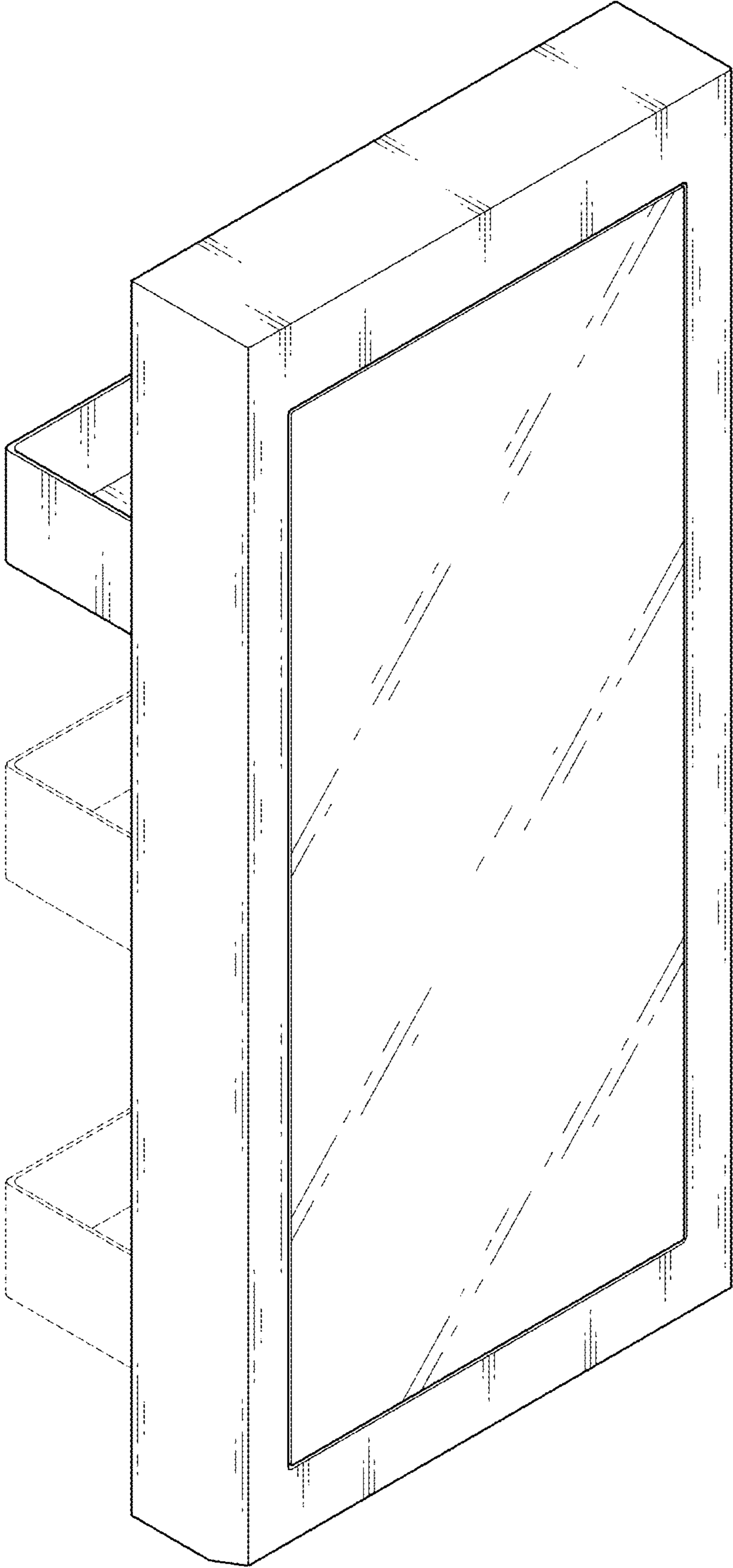


FIG. 2

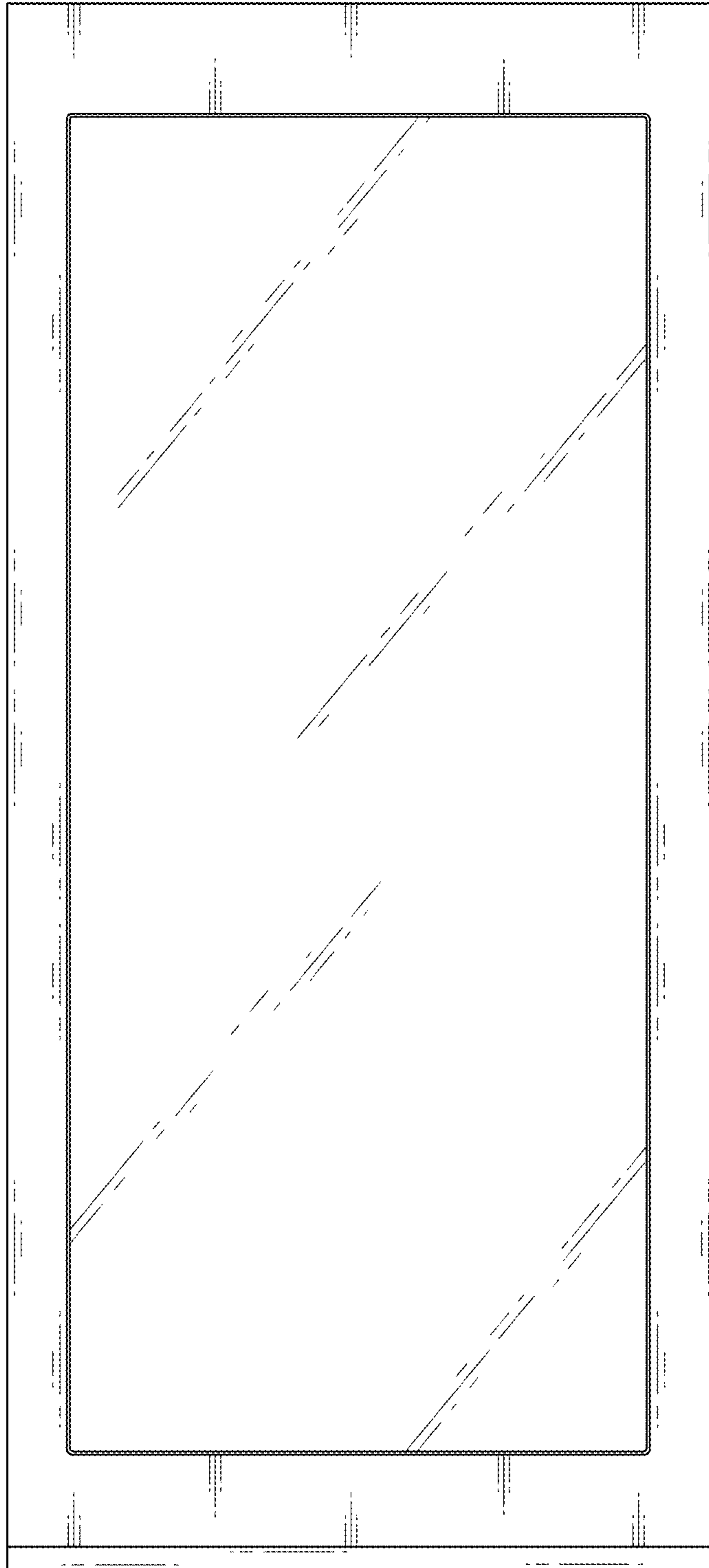


FIG. 3

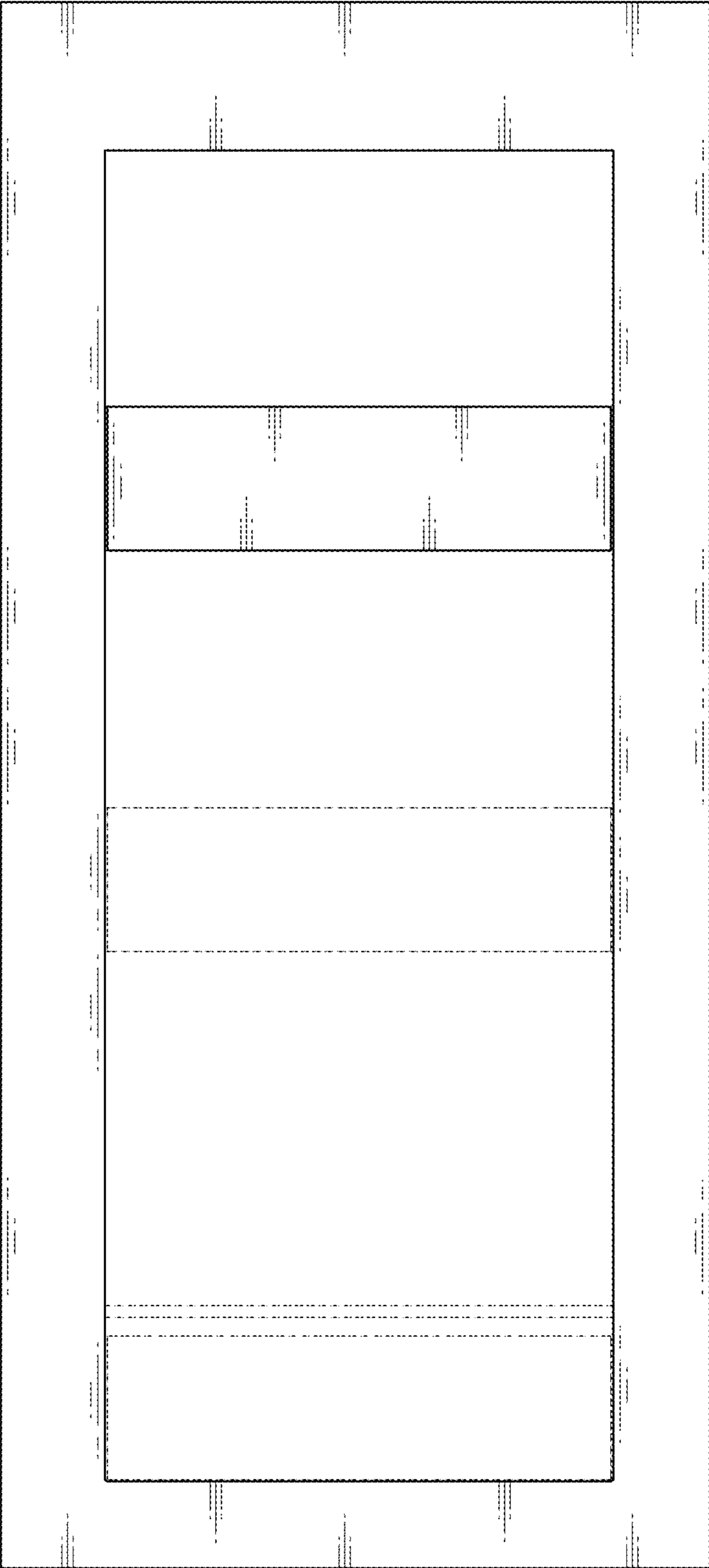


FIG. 4

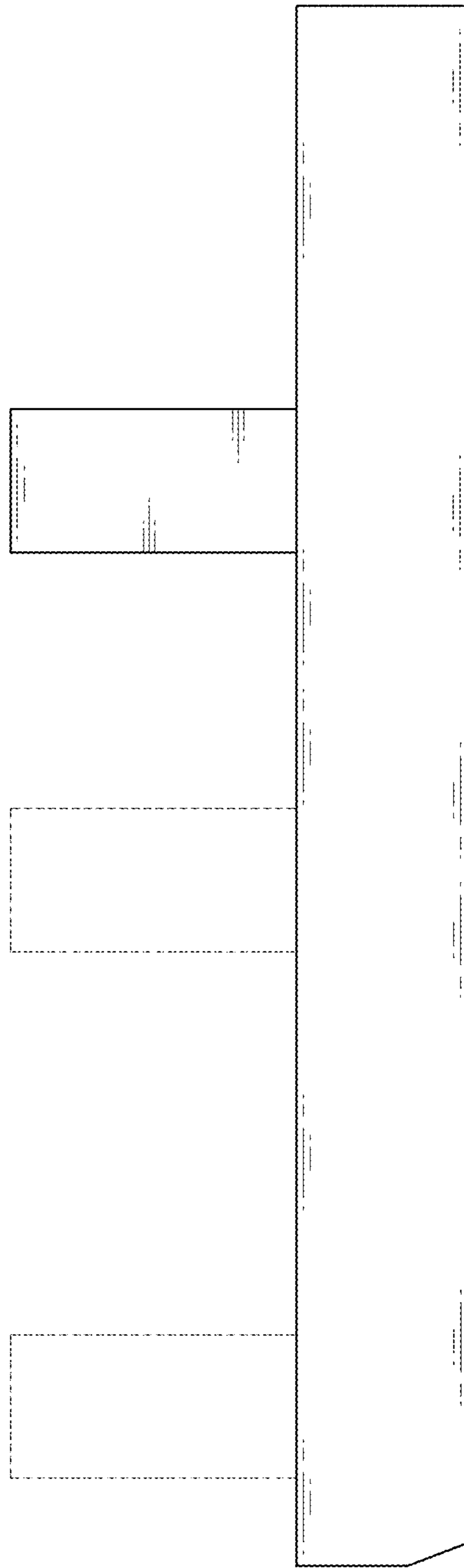


FIG. 5

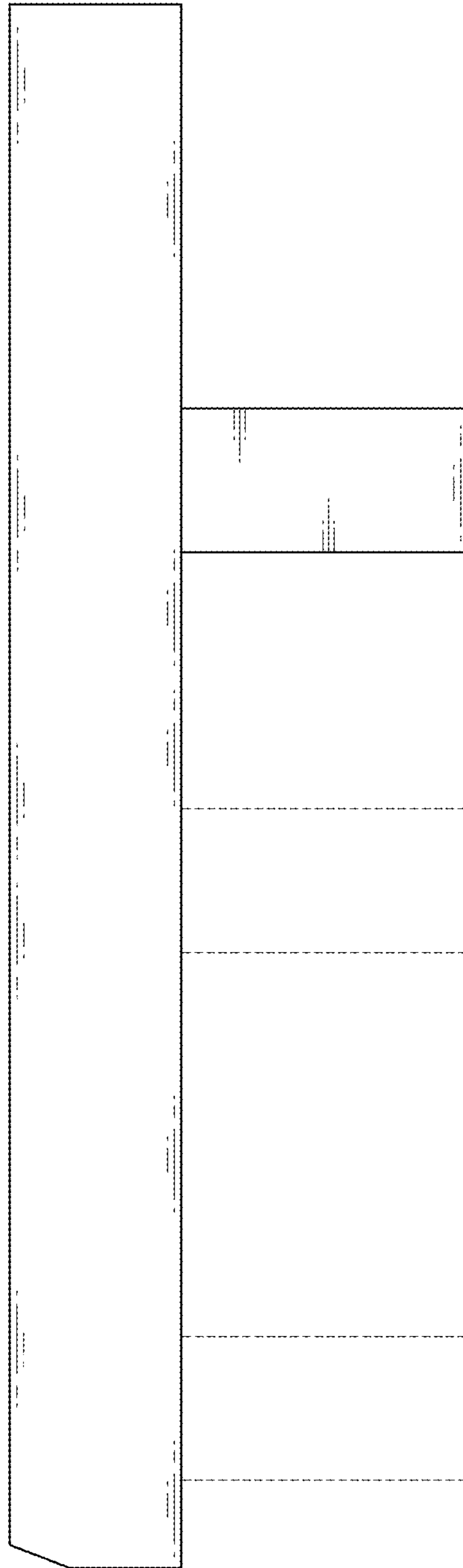


FIG. 6

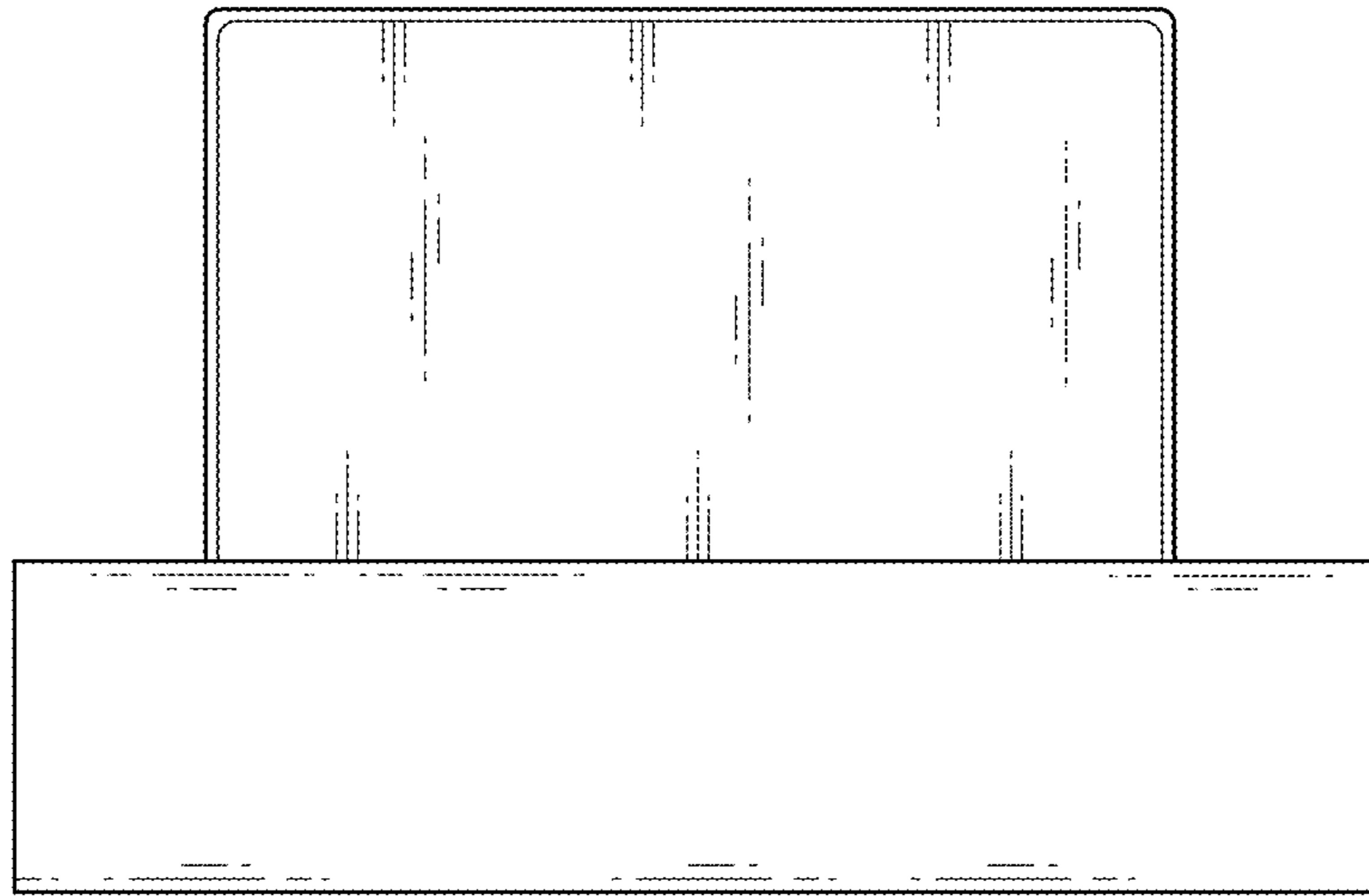


FIG. 7

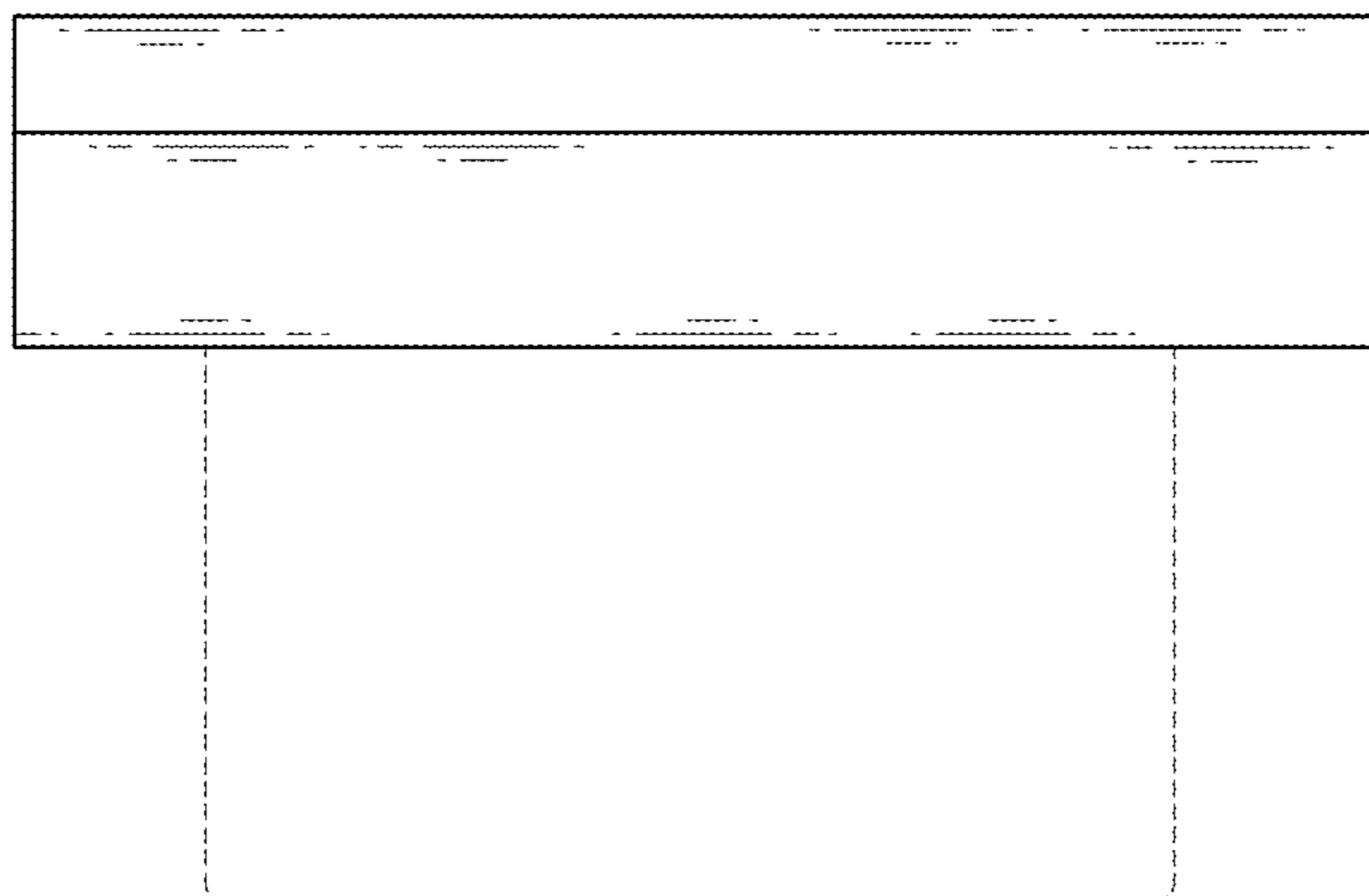


FIG. 8

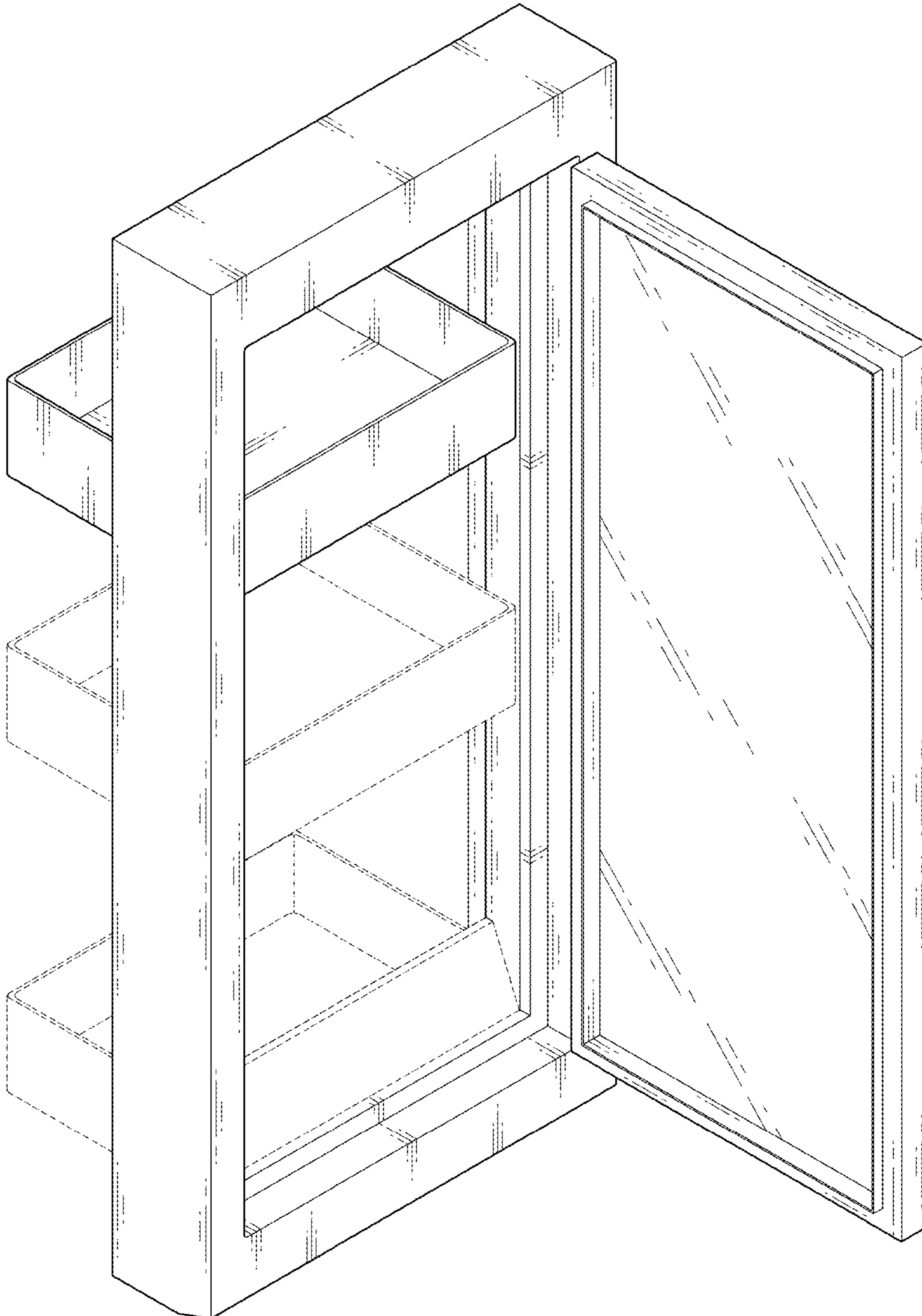




FIG. 9

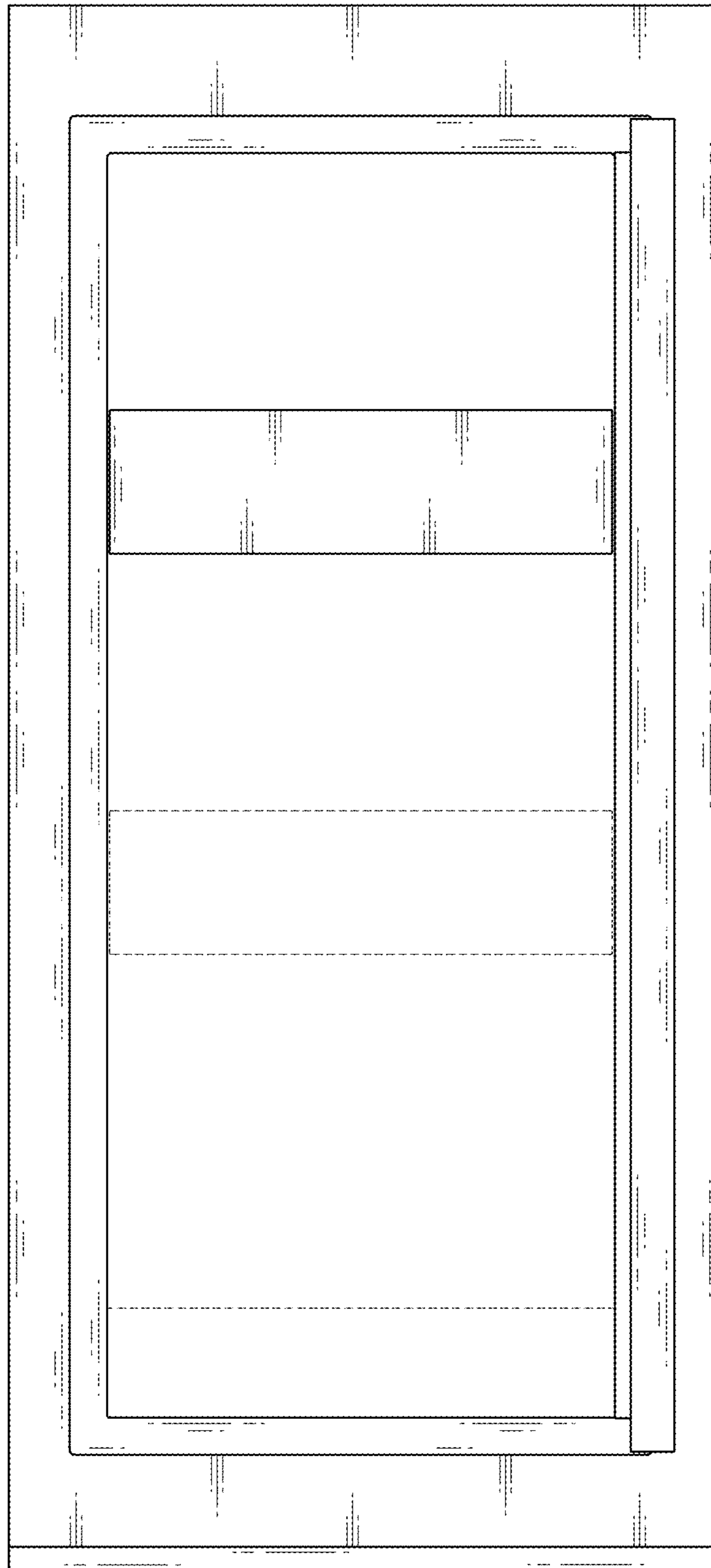


FIG. 10

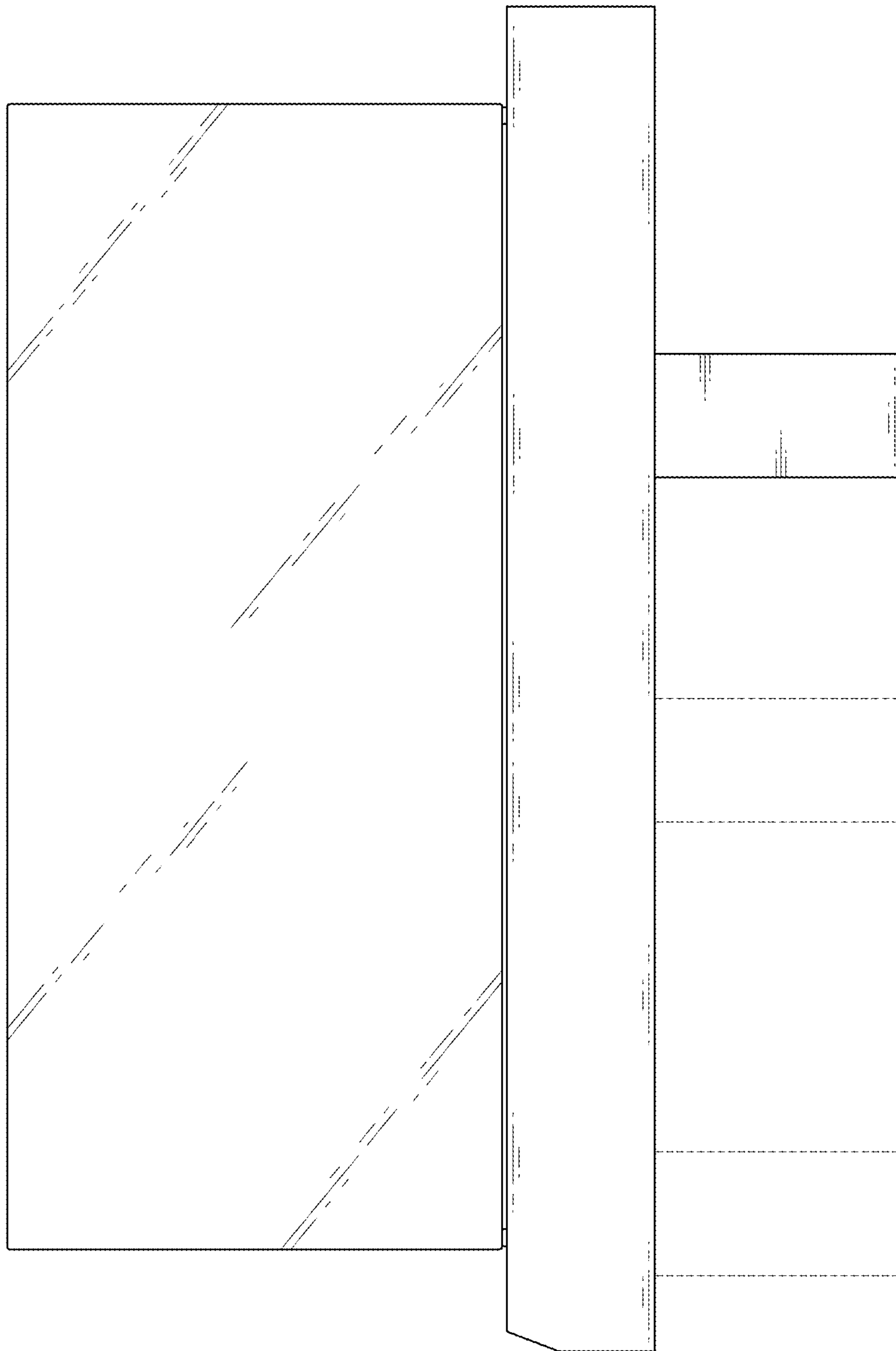


FIG. 11



FIG. 12

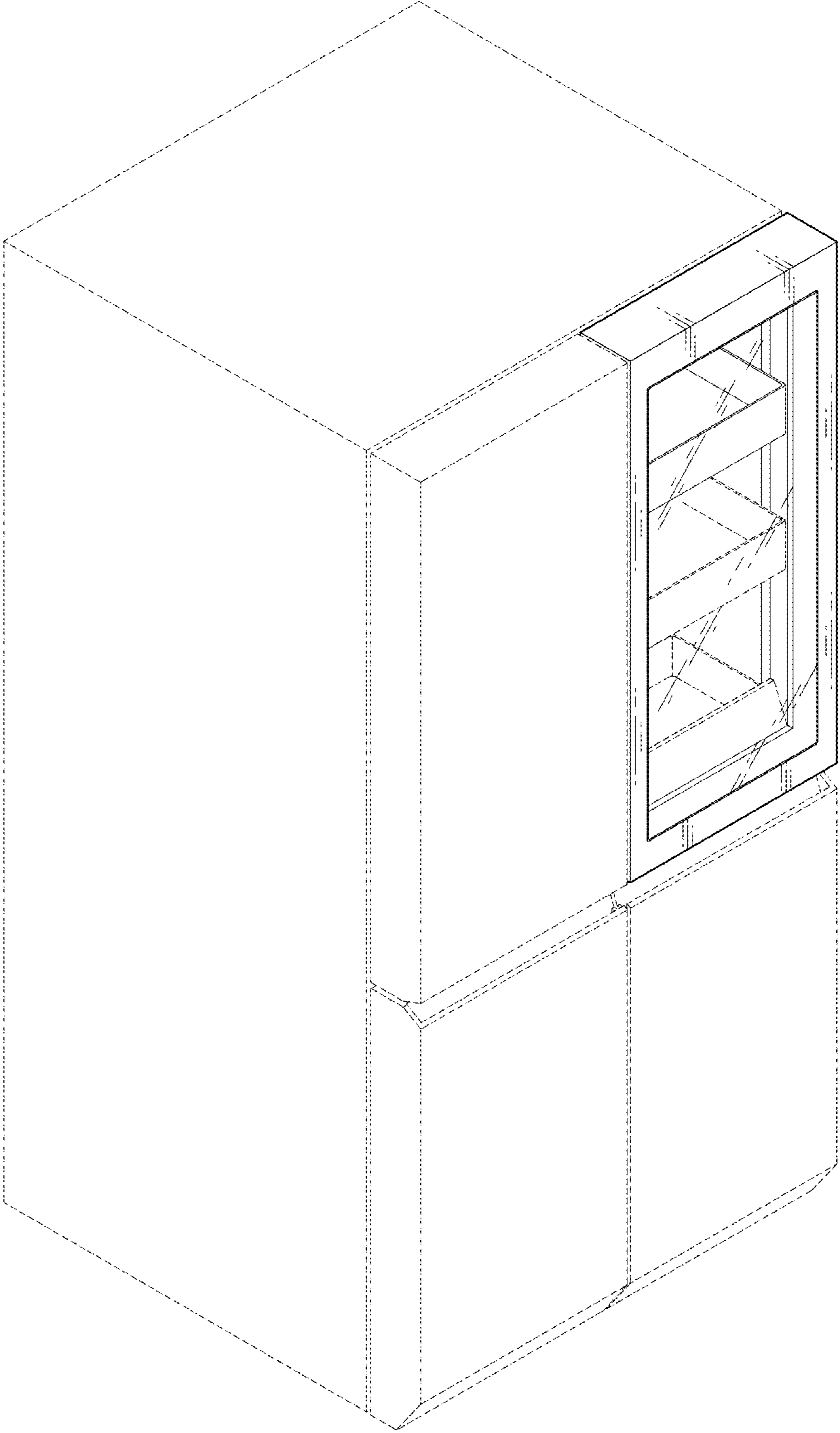


FIG. 13

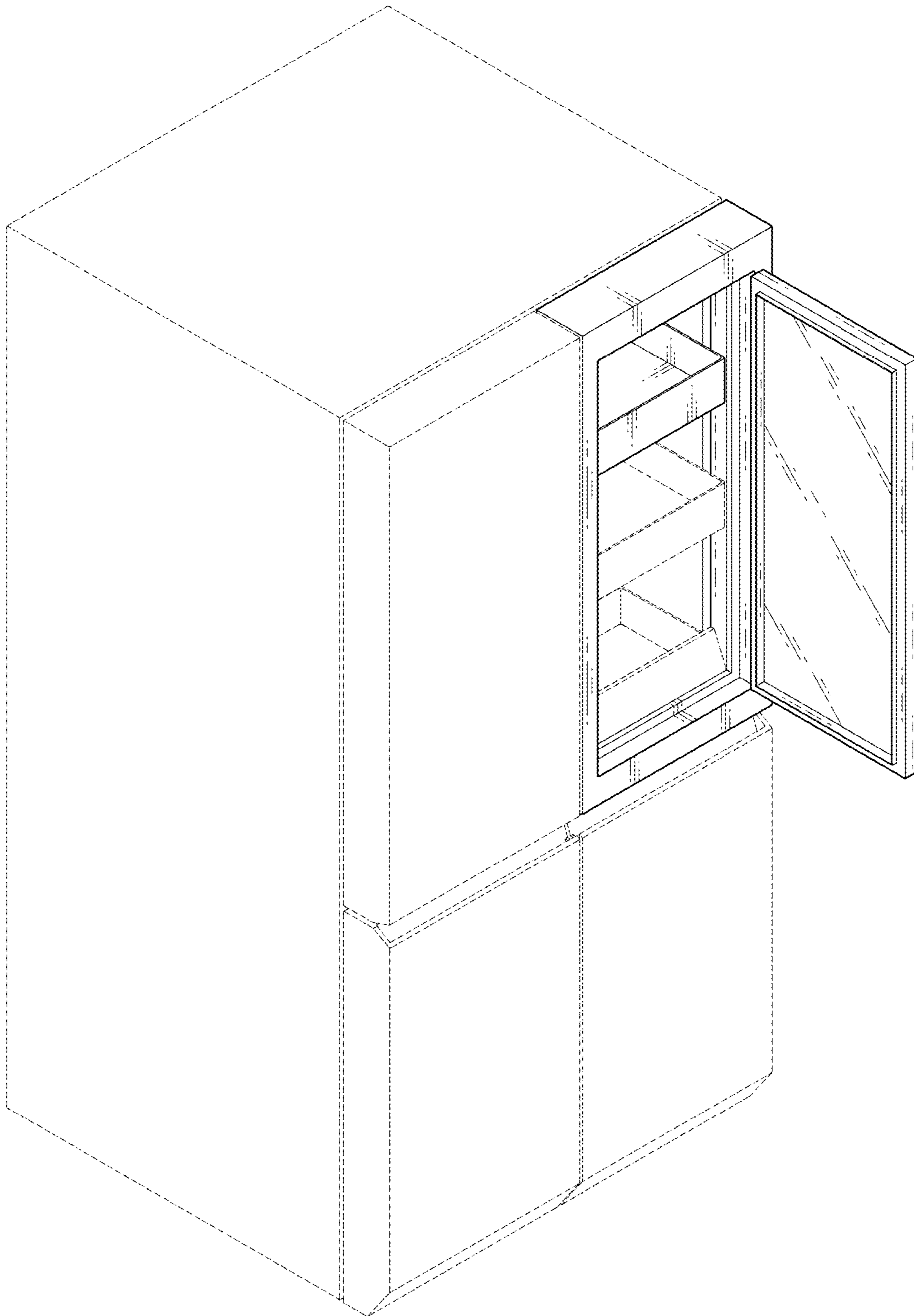


FIG. 14

