



US00D768737S

(12) **United States Design Patent**
Kim et al.

(10) **Patent No.:** **US D768,737 S**

(45) **Date of Patent:** **** Oct. 11, 2016**

(54) **DIVIDER FOR HOME APPLIANCE**

(56) **References Cited**

(71) Applicant: **Samsung Electronics Co., Ltd.**,
Suwon-si (KR)

U.S. PATENT DOCUMENTS

(72) Inventors: **Dajeong Kim**, Seoul (KR); **Selim Yoon**, Seongnam-si (KR); **Hyunil Lee**, Seoul (KR); **Sangwoon Jeon**, Seoul (KR); **Junhyeok Choi**, Seongnam-si (KR)

D719,194	S	*	12/2014	Lee	D15/89
D731,562	S	*	6/2015	You	D15/89
D743,454	S	*	11/2015	Yeo	D15/89
D747,749	S	*	1/2016	Lee	D15/89
D747,751	S	*	1/2016	Kim	D15/89

(73) Assignee: **Samsung Electronics Co., Ltd.**,
Suwon-si (KR)

* cited by examiner

(**) Term: **15 Years**

Primary Examiner — Daniel Bui

Assistant Examiner — Khawaja Anwar

(21) Appl. No.: **29/537,196**

(74) *Attorney, Agent, or Firm* — NSIP Law

(22) Filed: **Aug. 24, 2015**

(57) **CLAIM**

We claim the ornamental design for a divider for home appliance, as shown and described.

(30) **Foreign Application Priority Data**

Apr. 7, 2015 (KR) 30-2015-0017617

(51) **LOC (10) Cl.** **15-07**

(52) **U.S. Cl.**
USPC **D15/89**

(58) **Field of Classification Search**
USPC D15/79-91
CPC F25D 23/028; F25D 23/02; F25D 25/025;
F25D 23/00; F25D 2323/021; F25D 11/00;
F25D 2323/024; F25D 23/04; F25D 29/00;
F25D 25/02; F25D 25/024; F25D 27/005;
F25D 23/12; F25D 29/005; F25D 17/042;
F25D 2325/021; F25D 2323/02

See application file for complete search history.

DESCRIPTION

FIG. 1 is a perspective view of a divider for home appliance showing our new design;

FIG. 2 is a front view thereof;

FIG. 3 is a rear view thereof;

FIG. 4 is a left-side view thereof;

FIG. 5 is a right-side view thereof;

FIG. 6 is a top view thereof;

FIG. 7 is a bottom view thereof;

FIG. 8 is a rear perspective view thereof; and,

FIG. 9 is a top perspective view thereof, shown in use condition.

The short dash-dash broken line in the figures showing portions of a divider for home appliance forms no part of the claimed design. The dash-dot broken line showing of the drawer in FIG. 9 is for the purpose of illustrating environmental structure and forms no part of the claimed design.

1 Claim, 9 Drawing Sheets

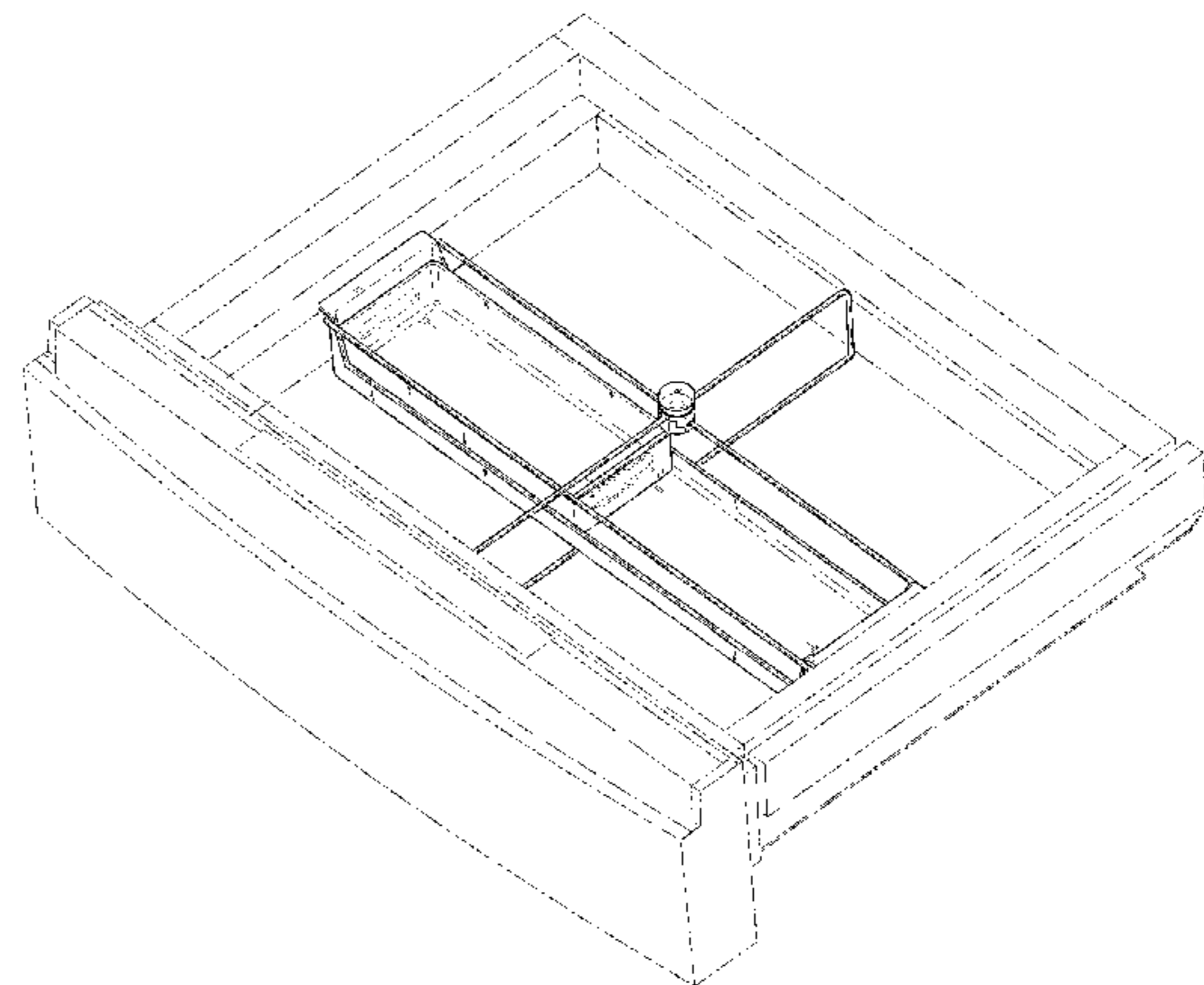
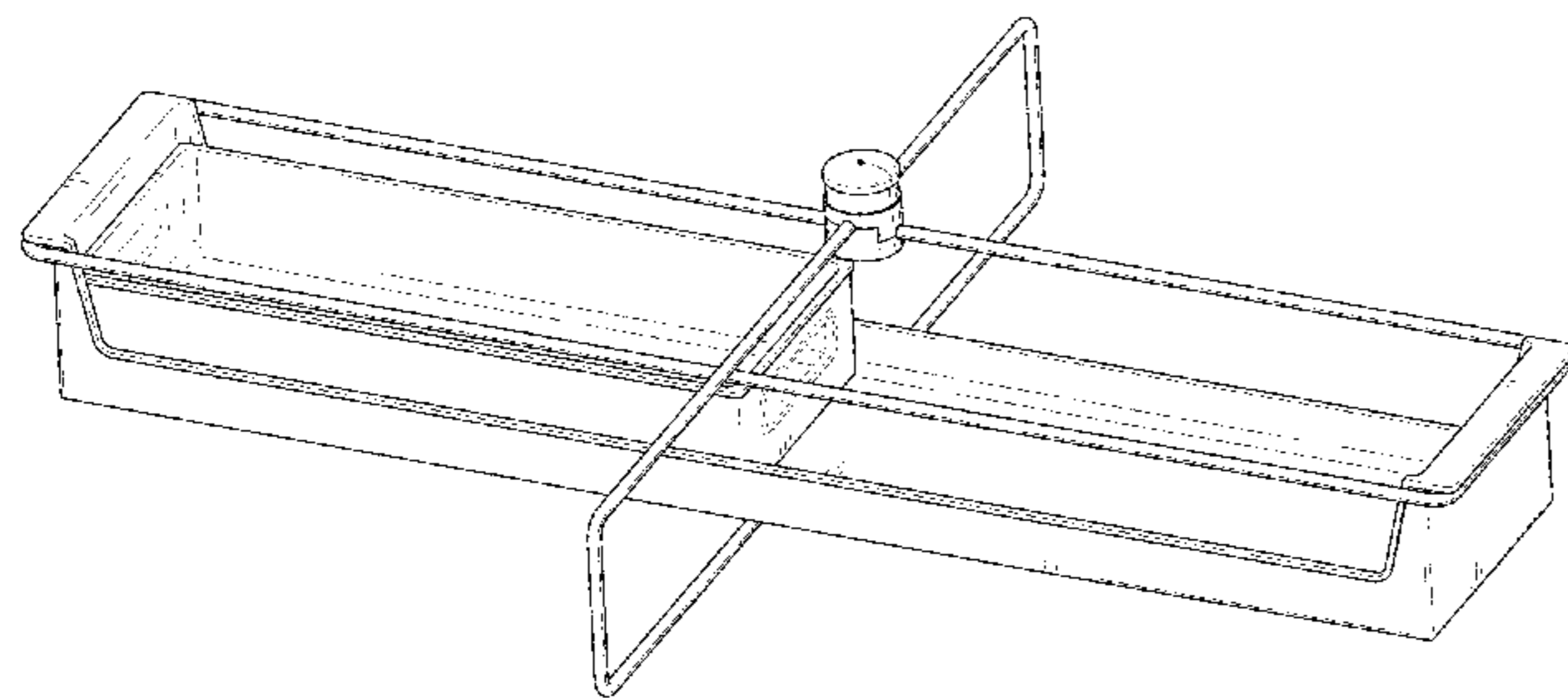


FIG. 1

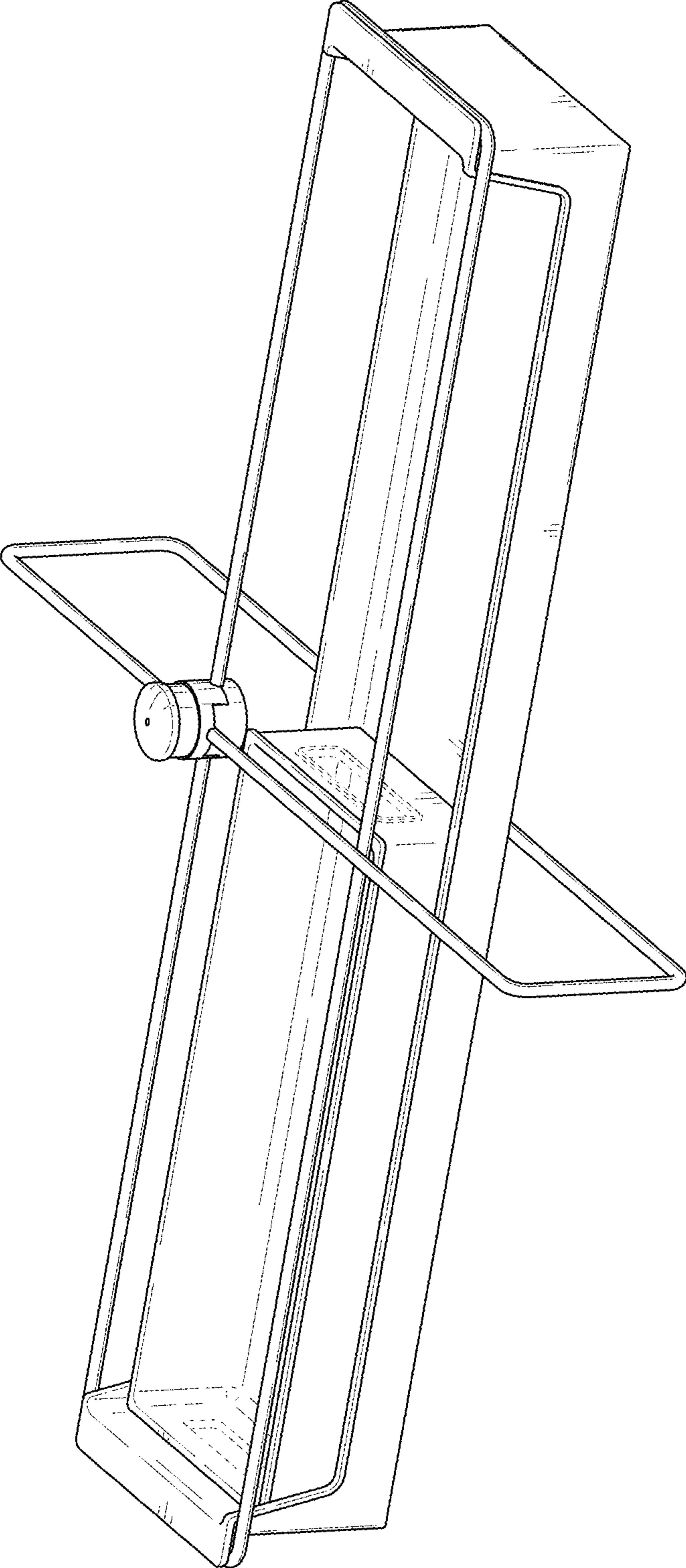


FIG. 2

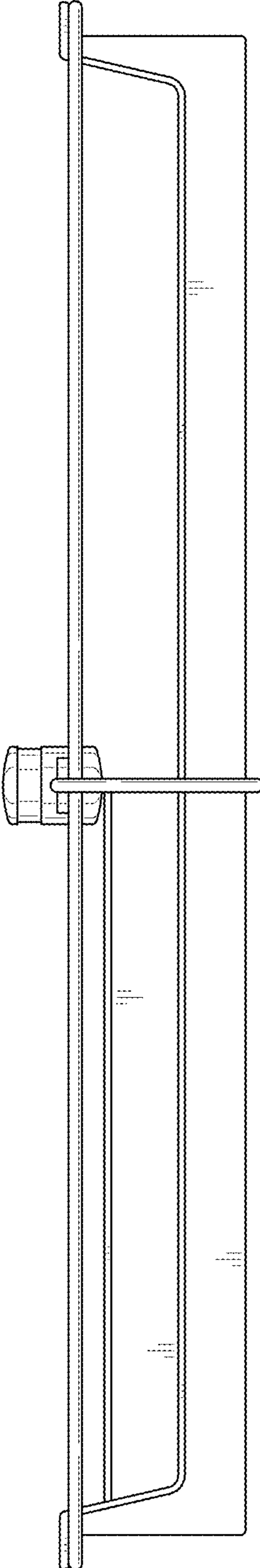


FIG. 3

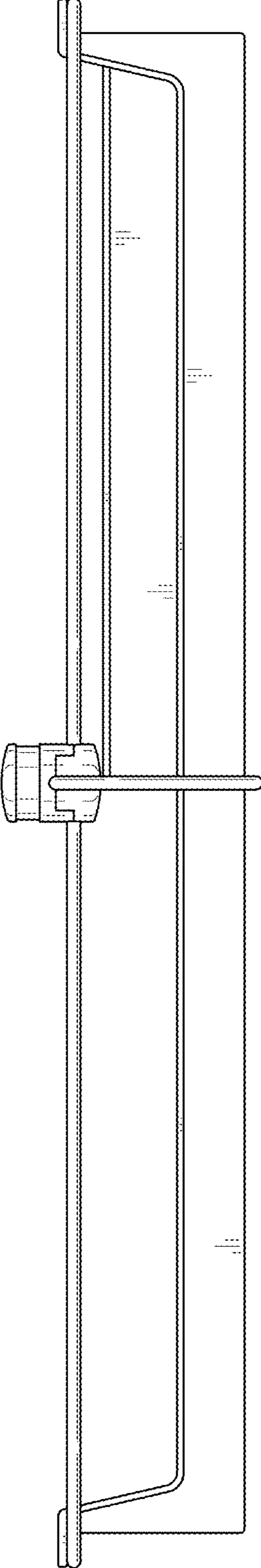


FIG. 4

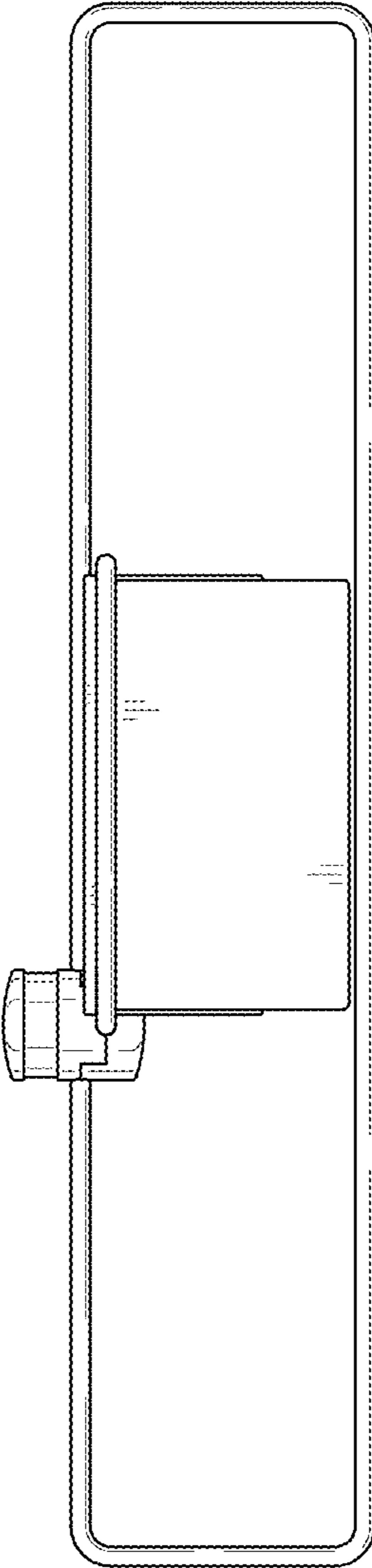


FIG. 5

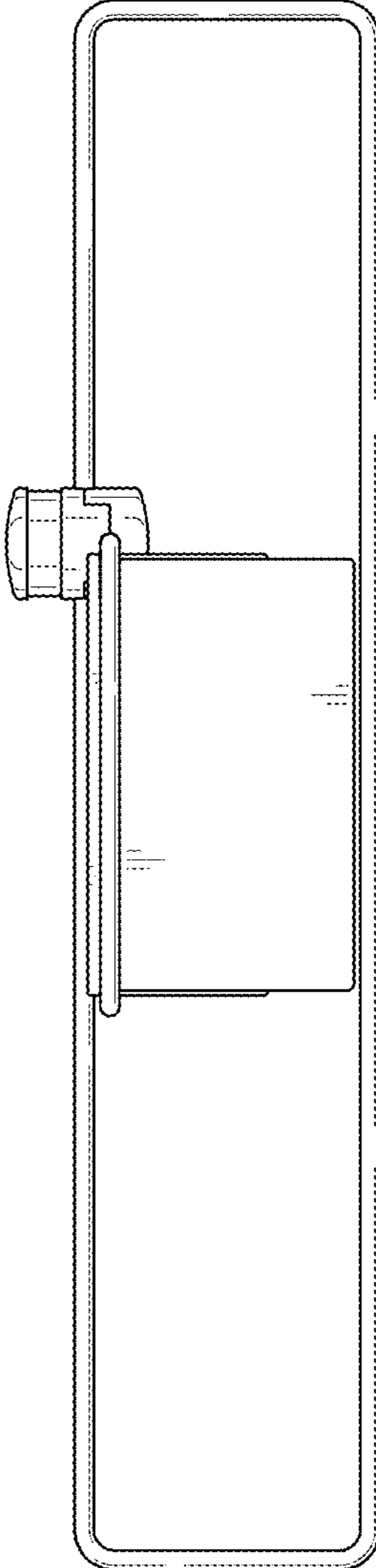
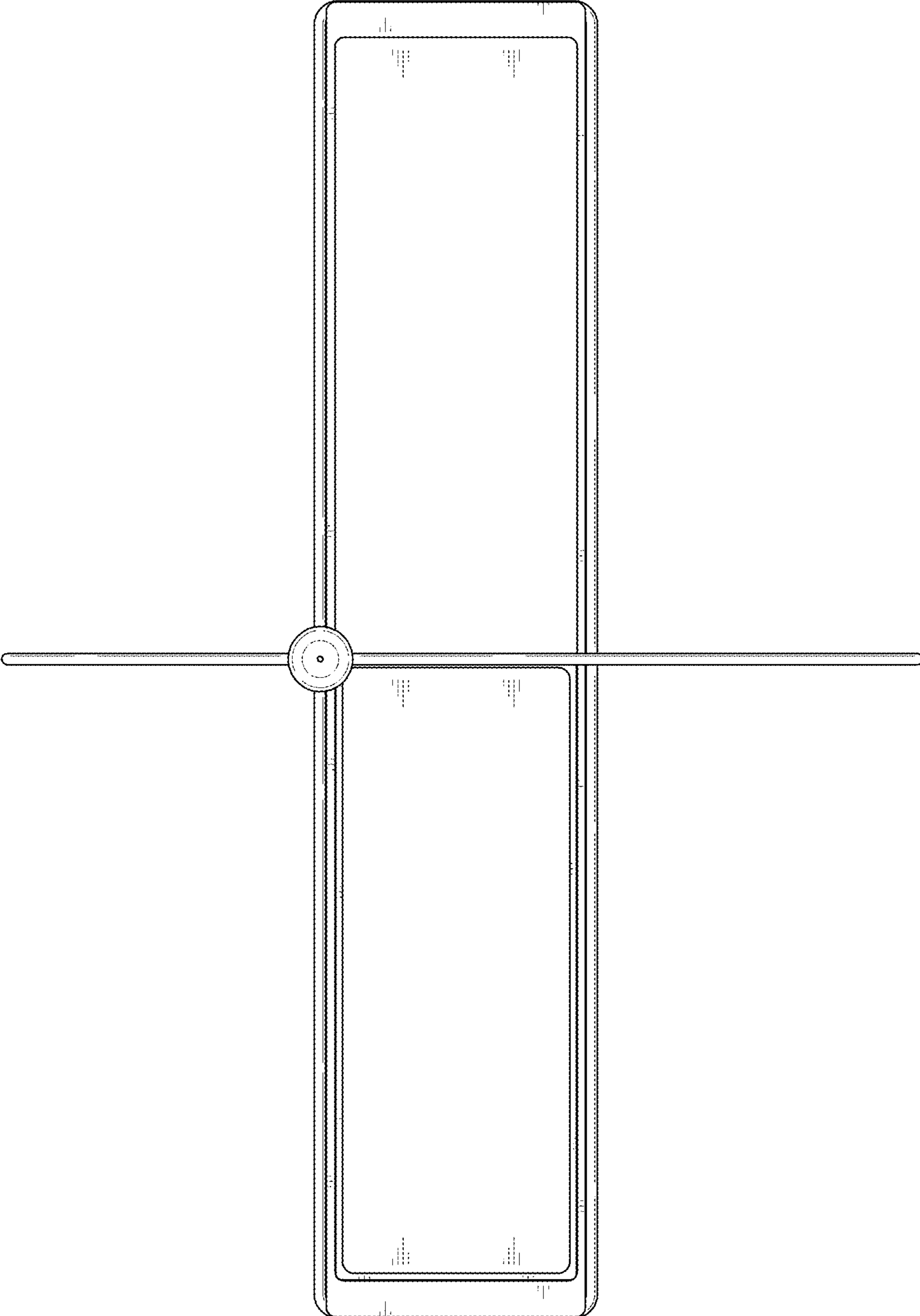


FIG. 6



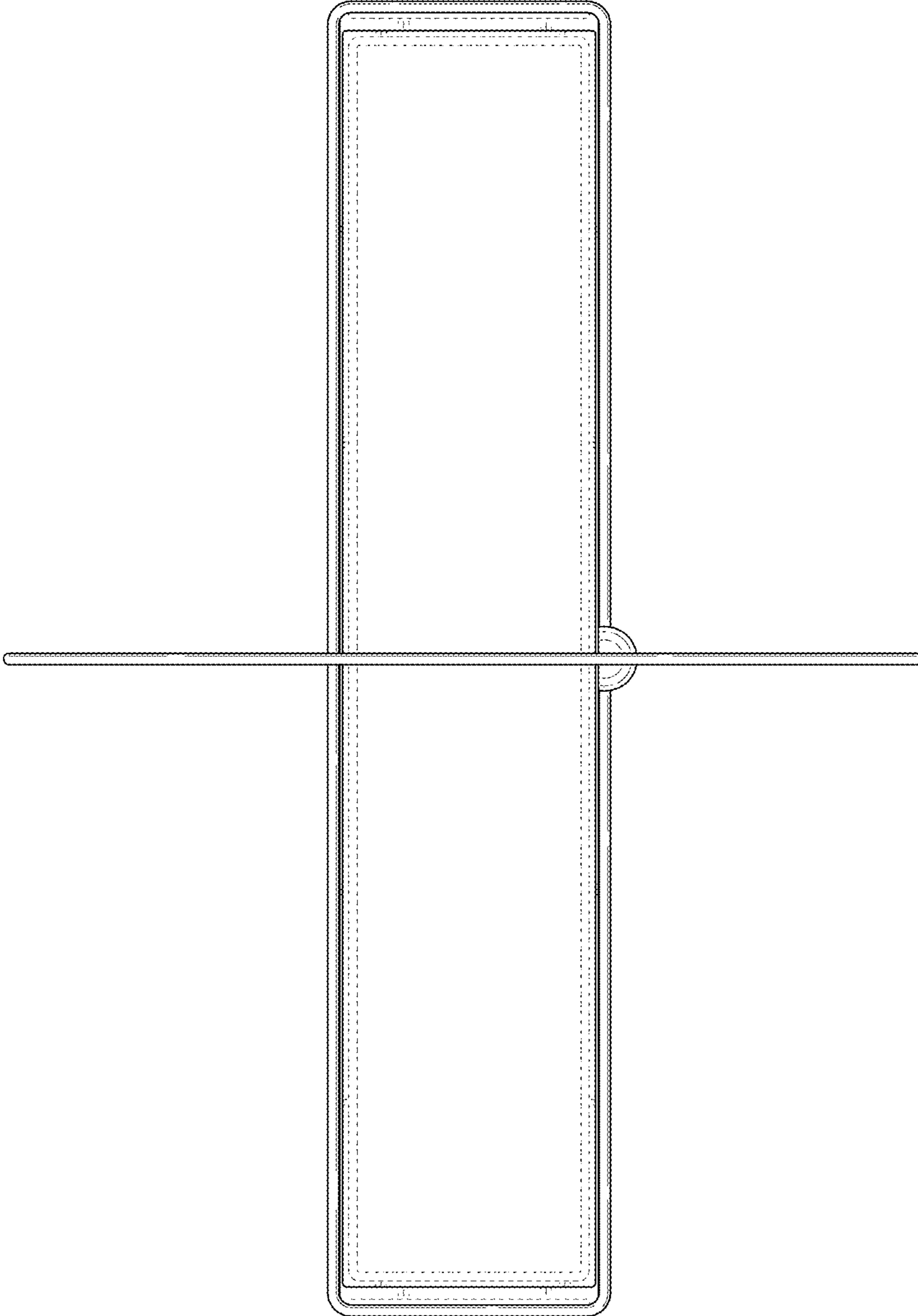
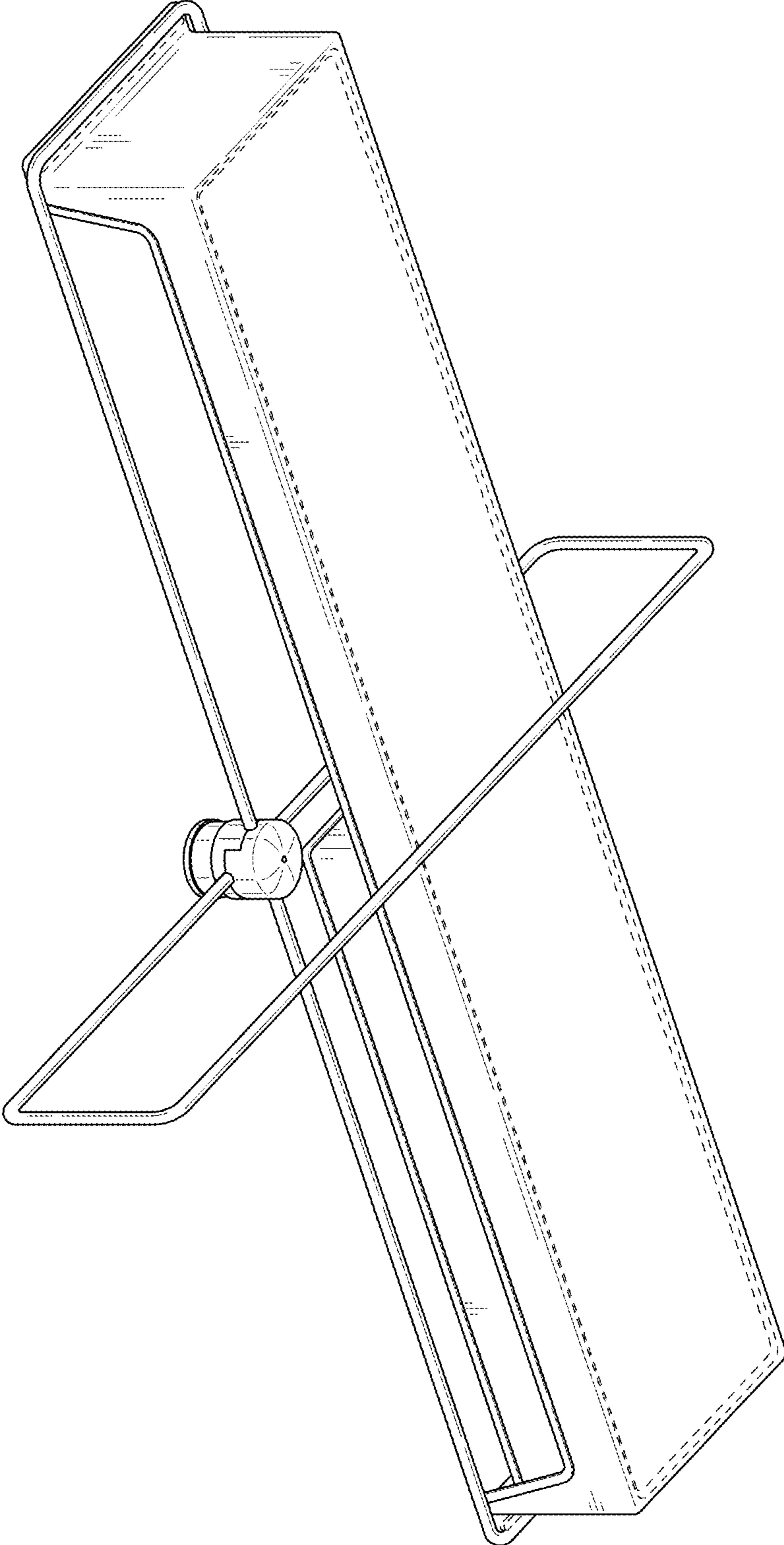


FIG. 7

FIG. 8



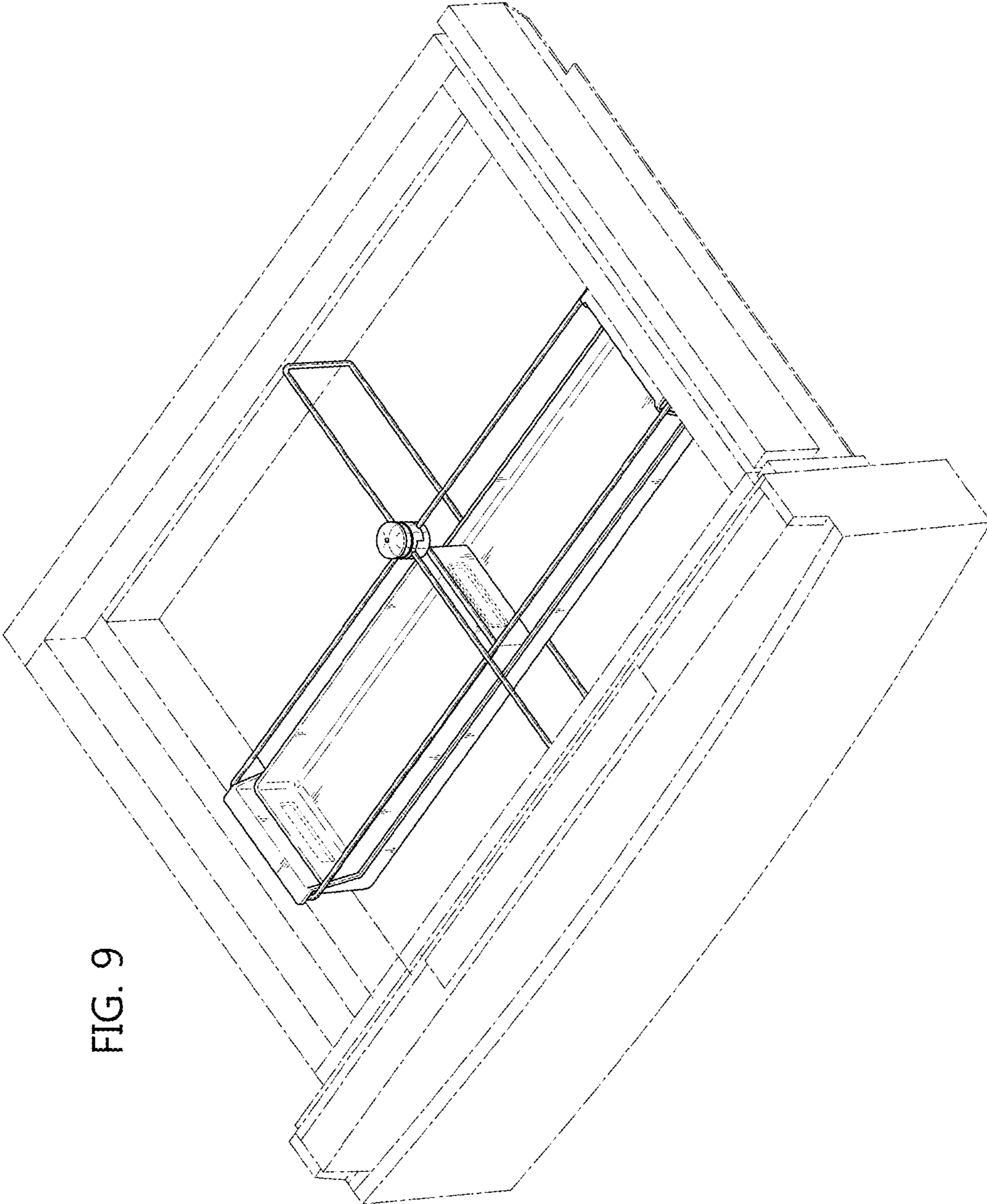


FIG. 9