



US00D768735S

(12) **United States Design Patent**
Choi et al.

(10) **Patent No.:** **US D768,735 S**
(45) **Date of Patent:** **** Oct. 11, 2016**

(54) **REFRIGERATOR**

(71) Applicant: **LG ELECTRONICS INC.**, Seoul (KR)

(72) Inventors: **Kyu Kwan Choi**, Seoul (KR); **Dae Sung Lee**, Seoul (KR); **Seon Il Yu**, Seoul (KR)

(73) Assignee: **LG ELECTRONICS INC.**, Seoul (KR)

(**) Term: **14 Years**

(21) Appl. No.: **29/518,847**

(22) Filed: **Feb. 27, 2015**

(30) **Foreign Application Priority Data**

Aug. 29, 2014 (KR) 30-2014-0042406

(51) **LOC (10) Cl.** **15-07**

(52) **U.S. Cl.**
USPC **D15/89**

(58) **Field of Classification Search**
USPC D15/79-91
CPC F25D 23/028; F25D 23/02; F25D 25/025;
F25D 23/00; F25D 2323/021; F25D 11/00;
F25D 2323/024; F25D 23/04; F25D 29/00;
F25D 25/02; F25D 25/024; F25D 27/005;
F25D 23/12; F25D 29/005; F25D 17/042;
F25D 2325/021

See application file for complete search history.

(56) **References Cited**

U.S. PATENT DOCUMENTS

D698,832 S * 2/2014 Lee D15/89
D713,864 S * 9/2014 Kim D15/89
D729,284 S * 5/2015 Kwak D15/85
D729,854 S * 5/2015 Hwang D15/89

* cited by examiner

Primary Examiner — Daniel Bui

Assistant Examiner — Khawaja Anwar

(74) *Attorney, Agent, or Firm* — Birch, Stewart, Kolasch & Birch, LLP

(57) **CLAIM**

We claim the ornamental design for a refrigerator, as shown and described.

DESCRIPTION

FIG. 1 is a perspective view of a refrigerator showing our new design:

FIG. 2 is a front elevation view thereof;

FIG. 3 is a rear elevation view thereof;

FIG. 4 is a left-side elevation view thereof;

FIG. 5 is a right-side elevation view thereof;

FIG. 6 is a top plan view thereof;

FIG. 7 is a bottom plan view thereof;

FIG. 8 is a perspective view thereof, in use condition;

FIG. 9 is a front elevation view thereof;

FIG. 10 is a left-side elevation view thereof;

FIG. 11 is another perspective view thereof, in another use condition;

FIG. 12 is a front elevation view thereof; and,

FIG. 13 is a left-side elevation view thereof.

The broken lines in the drawing figures are included for the purpose of illustrating environment and form no part of the claimed design.

1 Claim, 12 Drawing Sheets

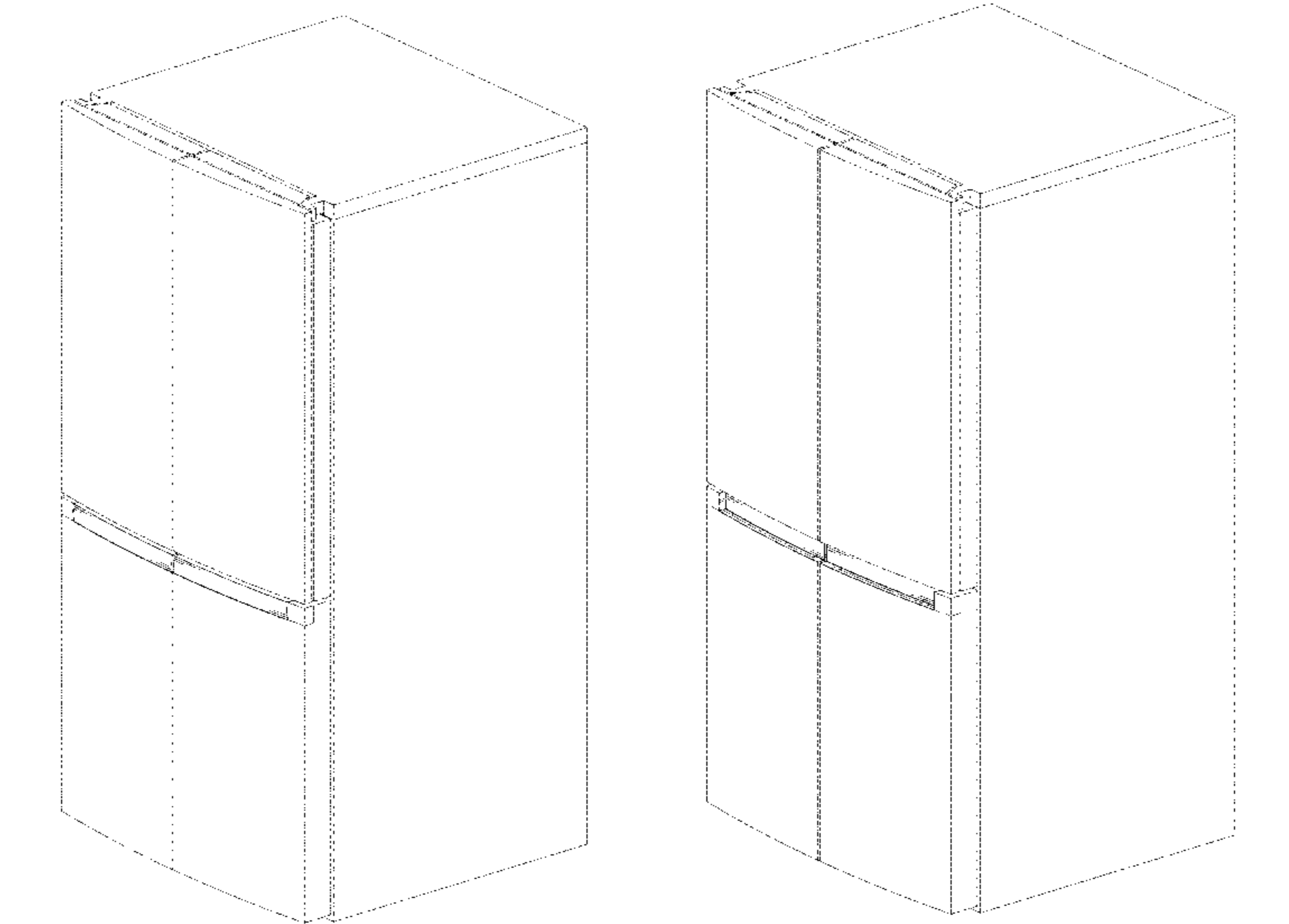


FIG. 1

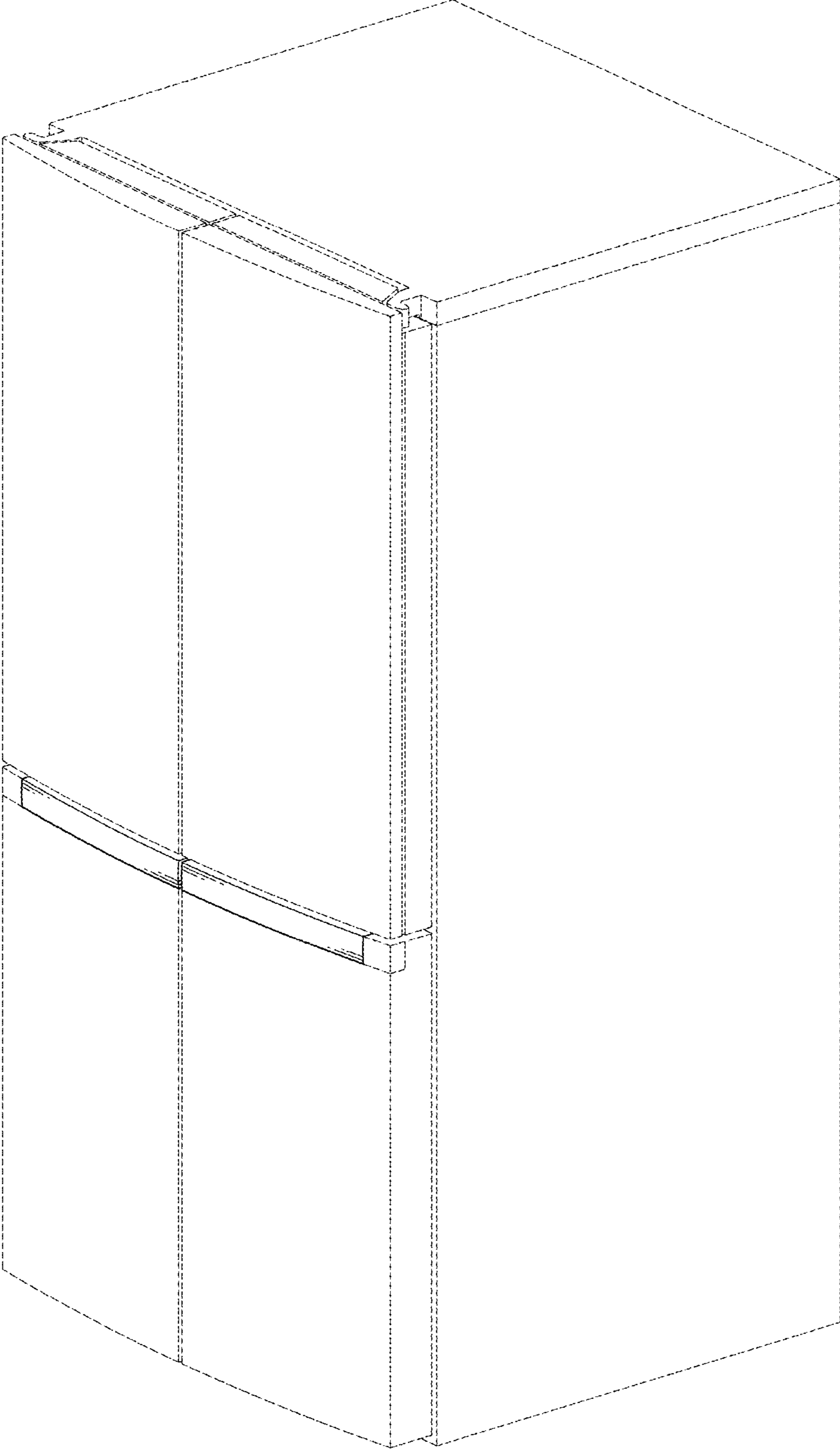


FIG. 2

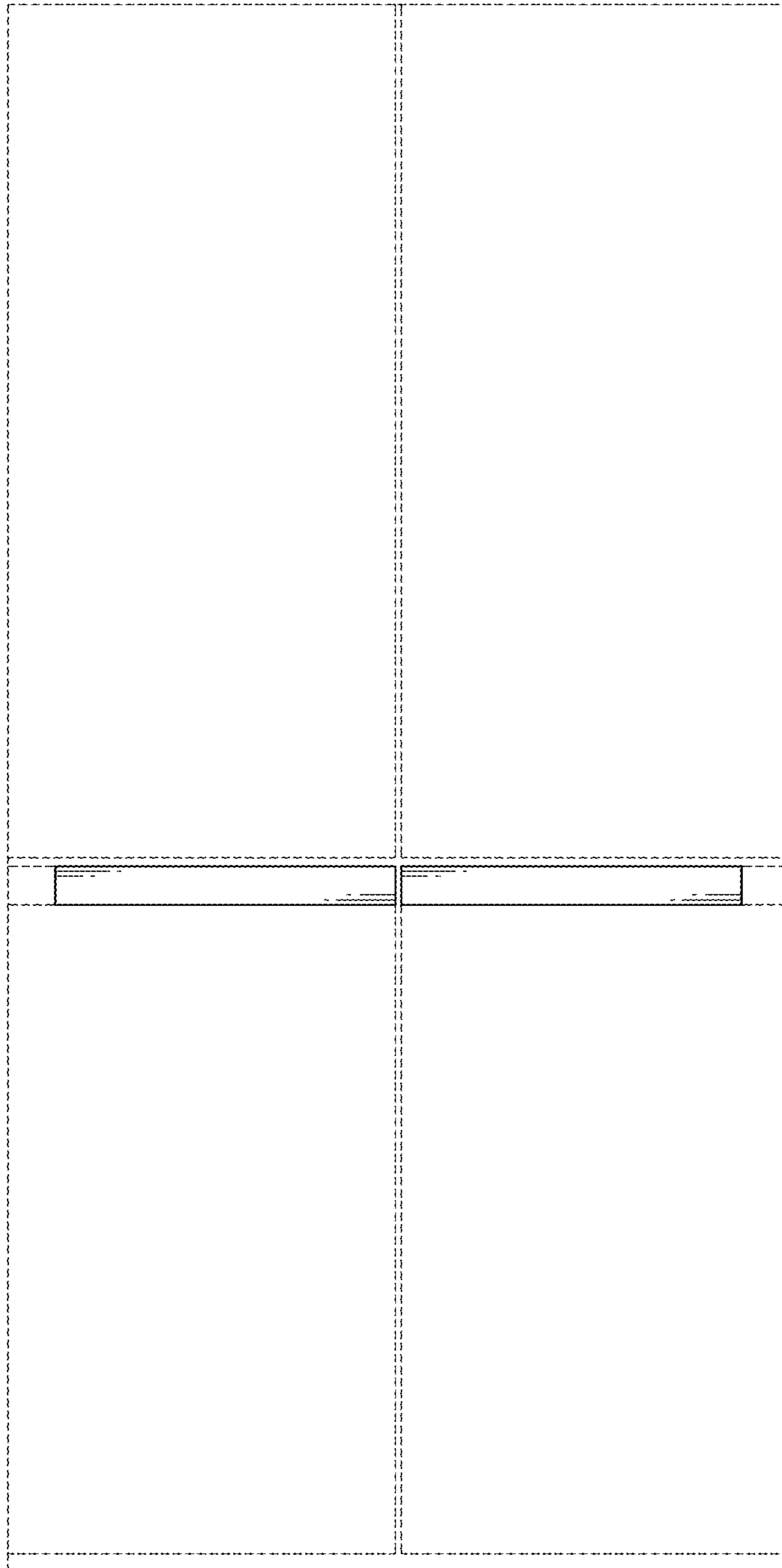


FIG. 3

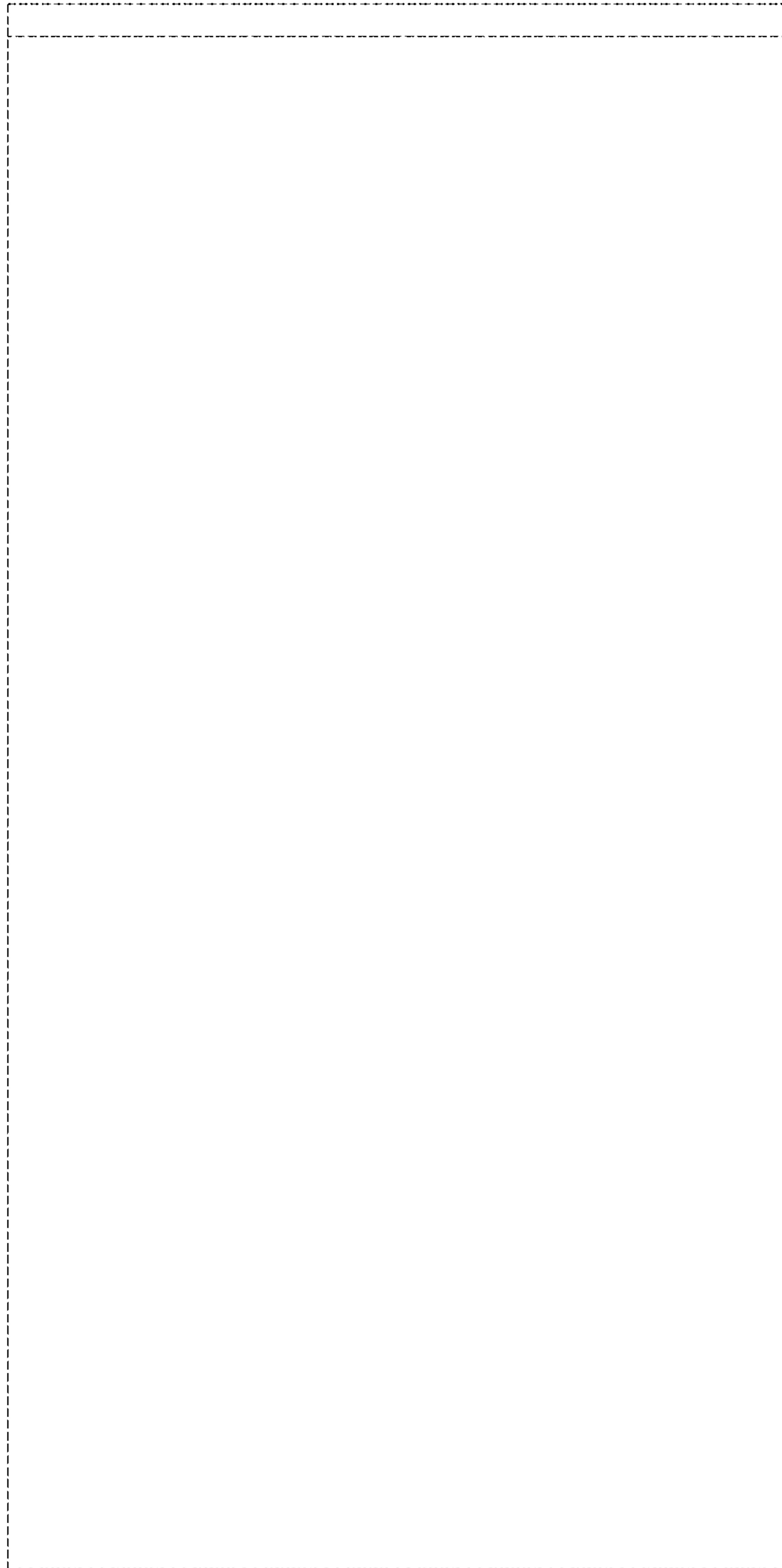


FIG. 4

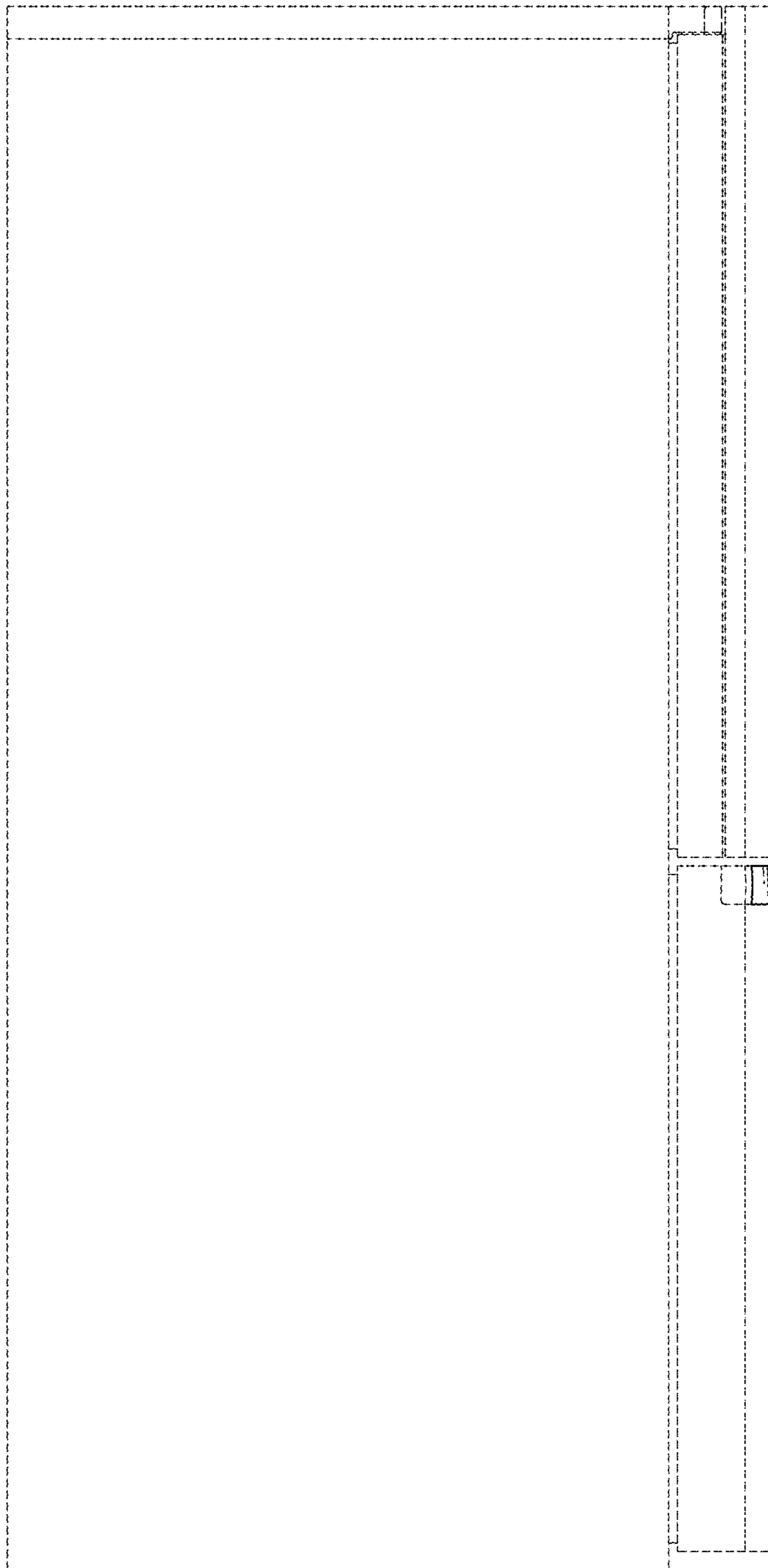


FIG. 5

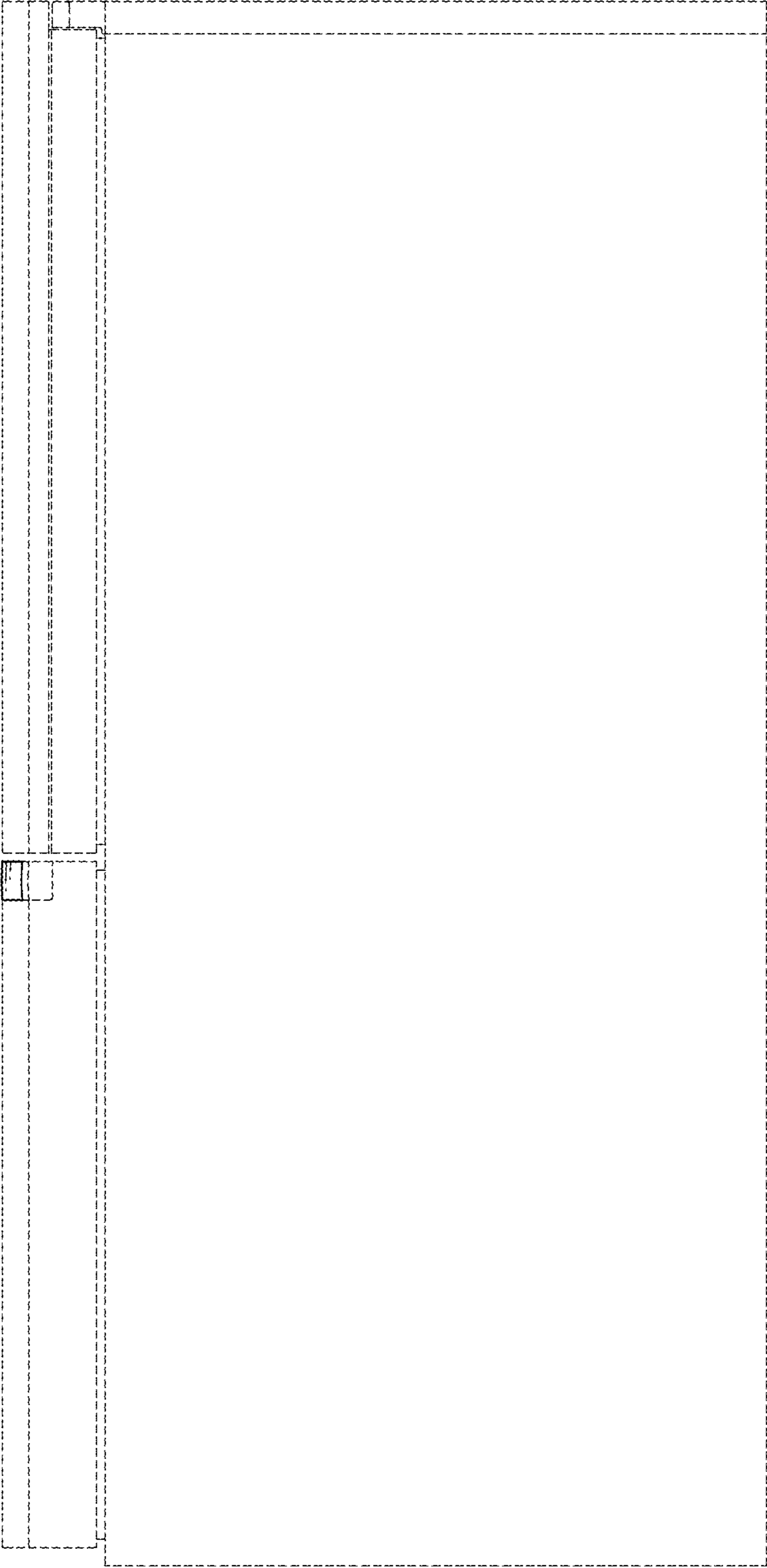


FIG. 6

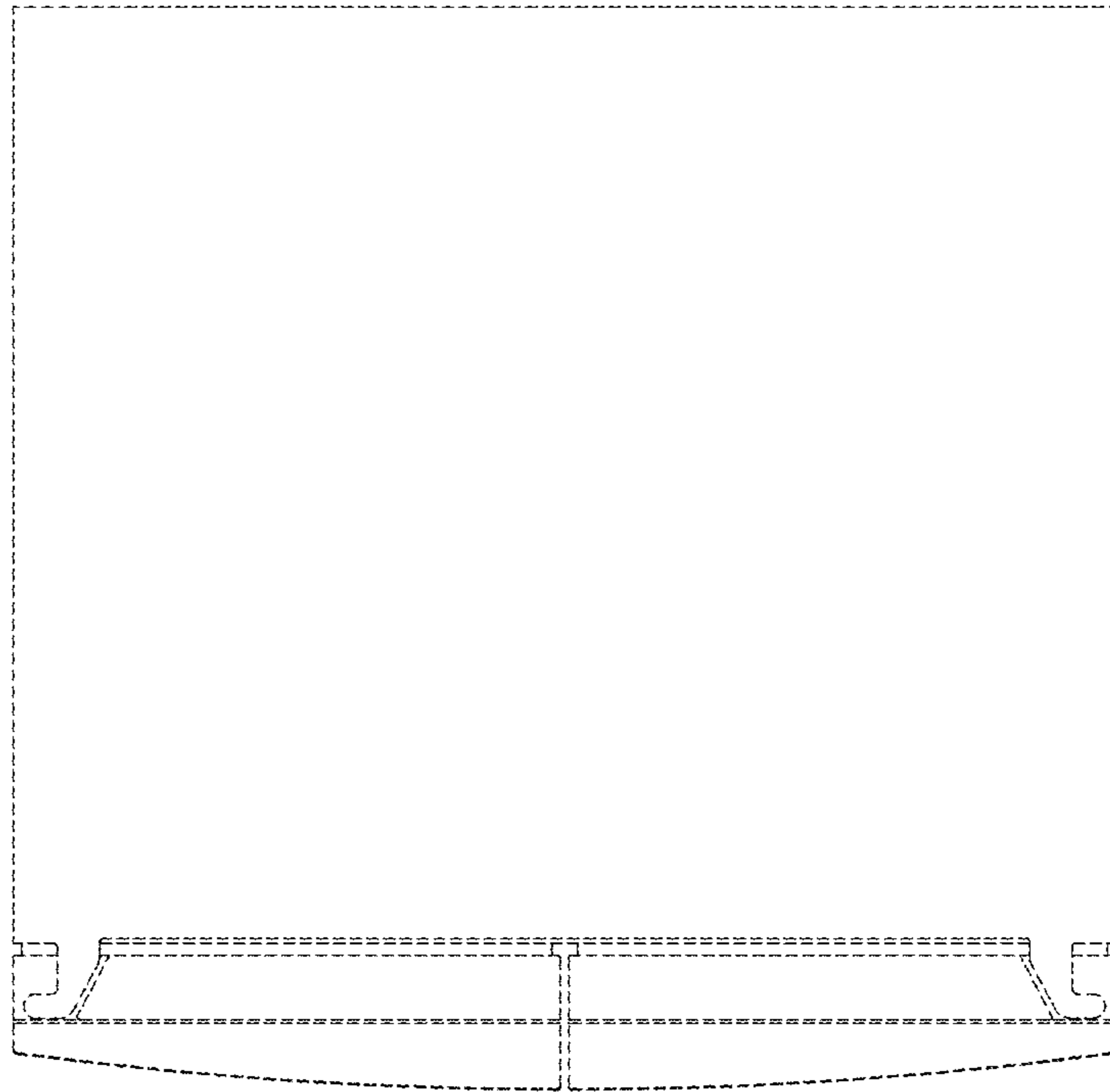


FIG. 7

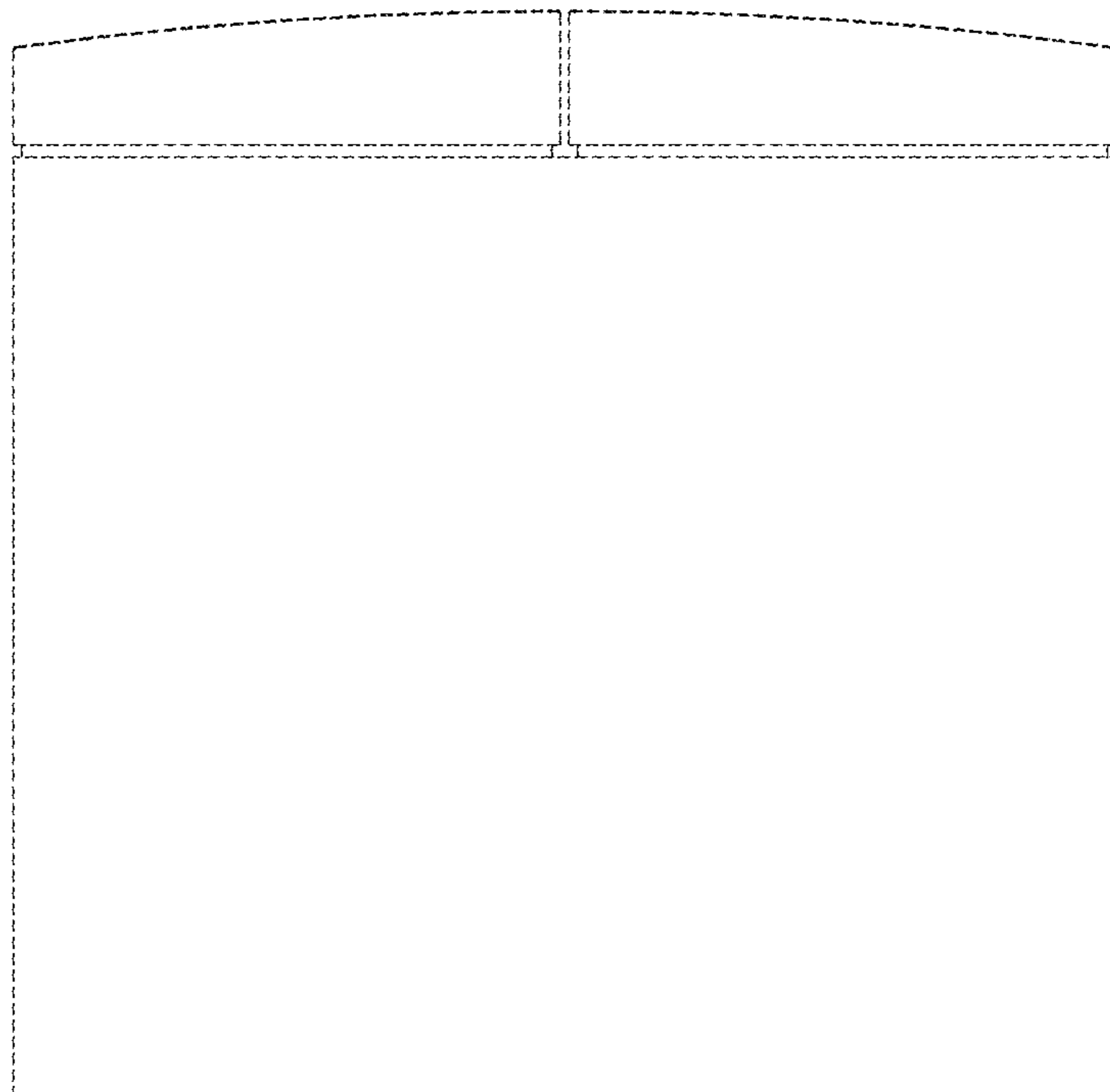


FIG. 8

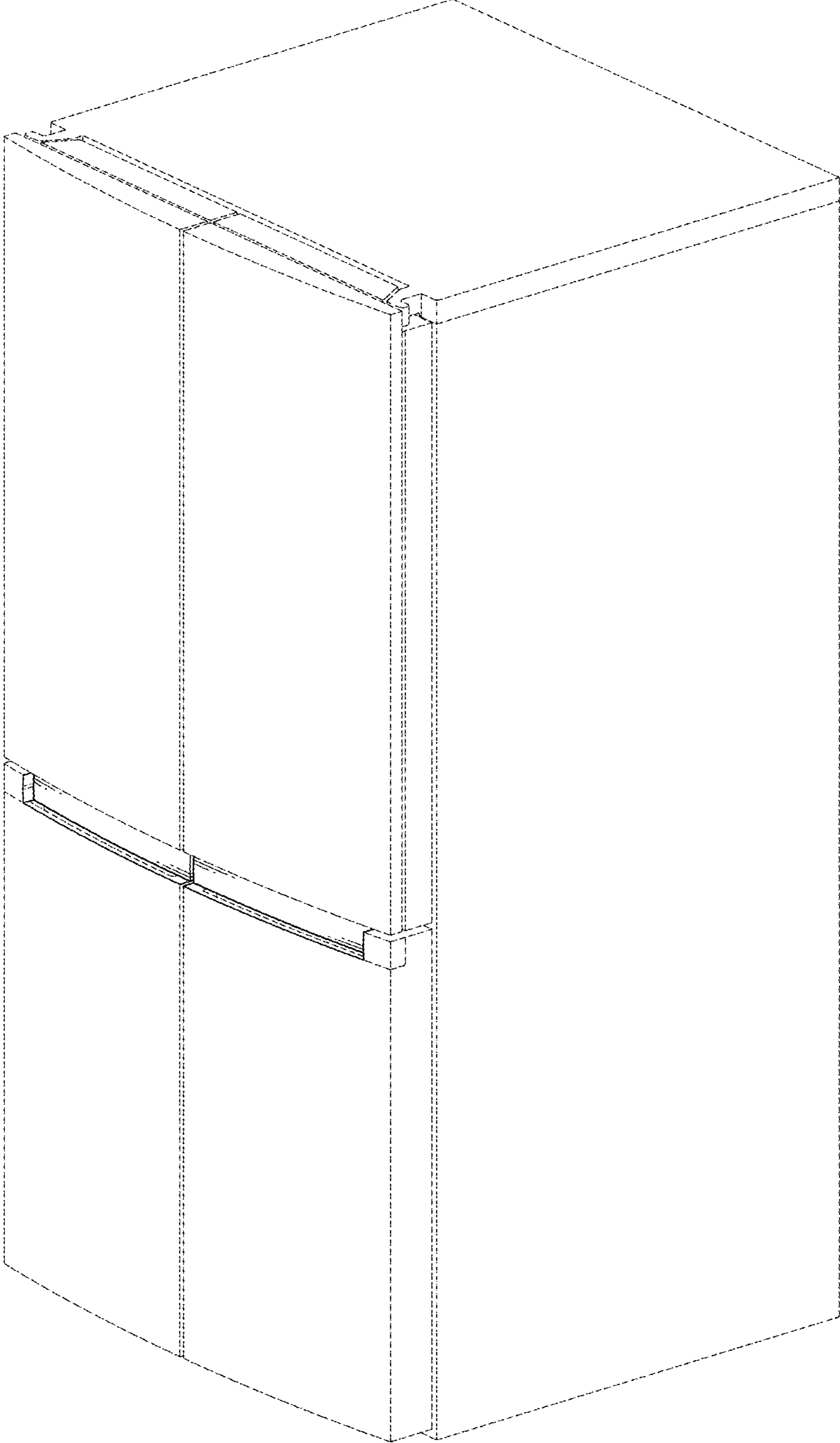


FIG. 9

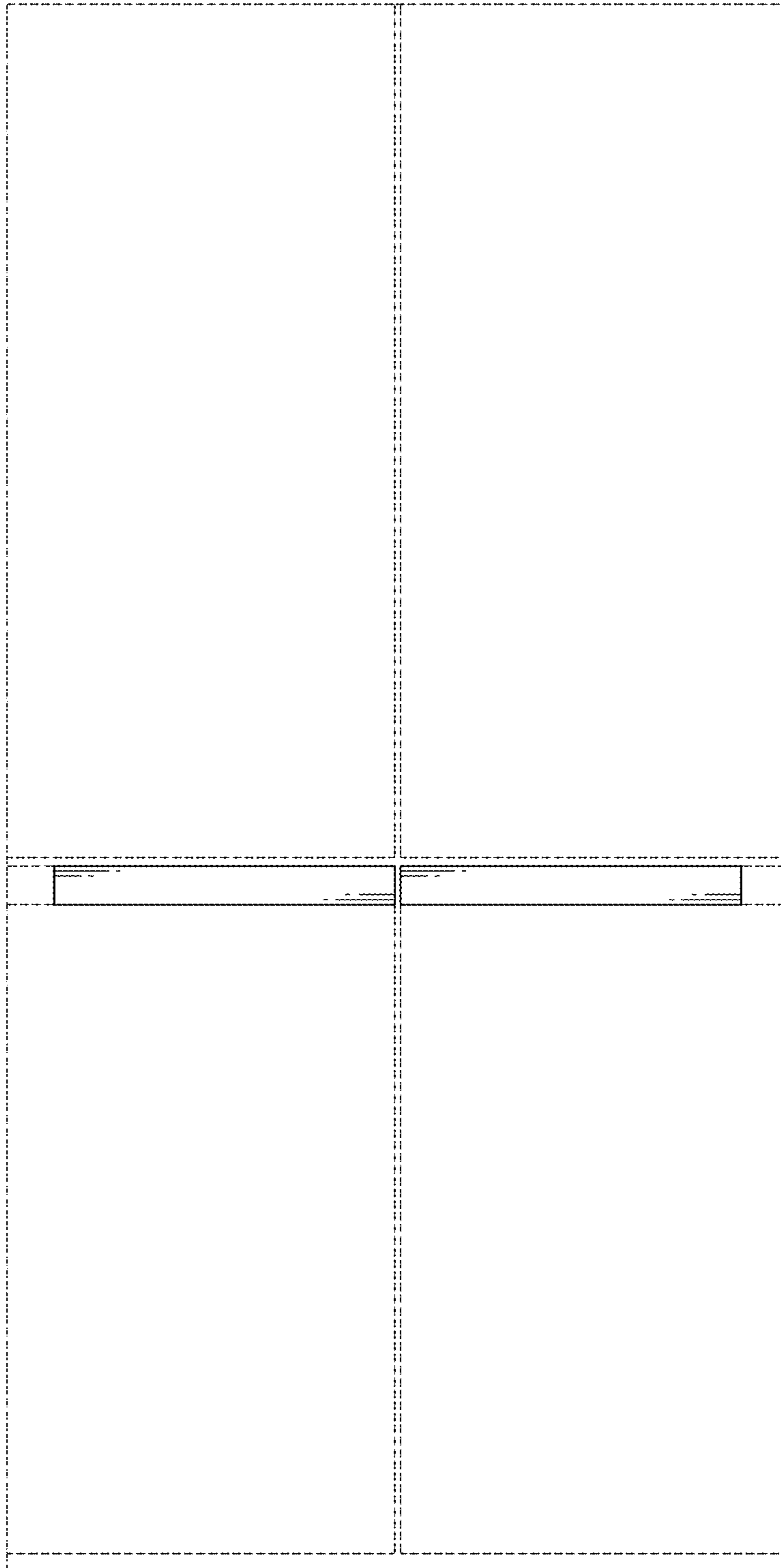


FIG. 10

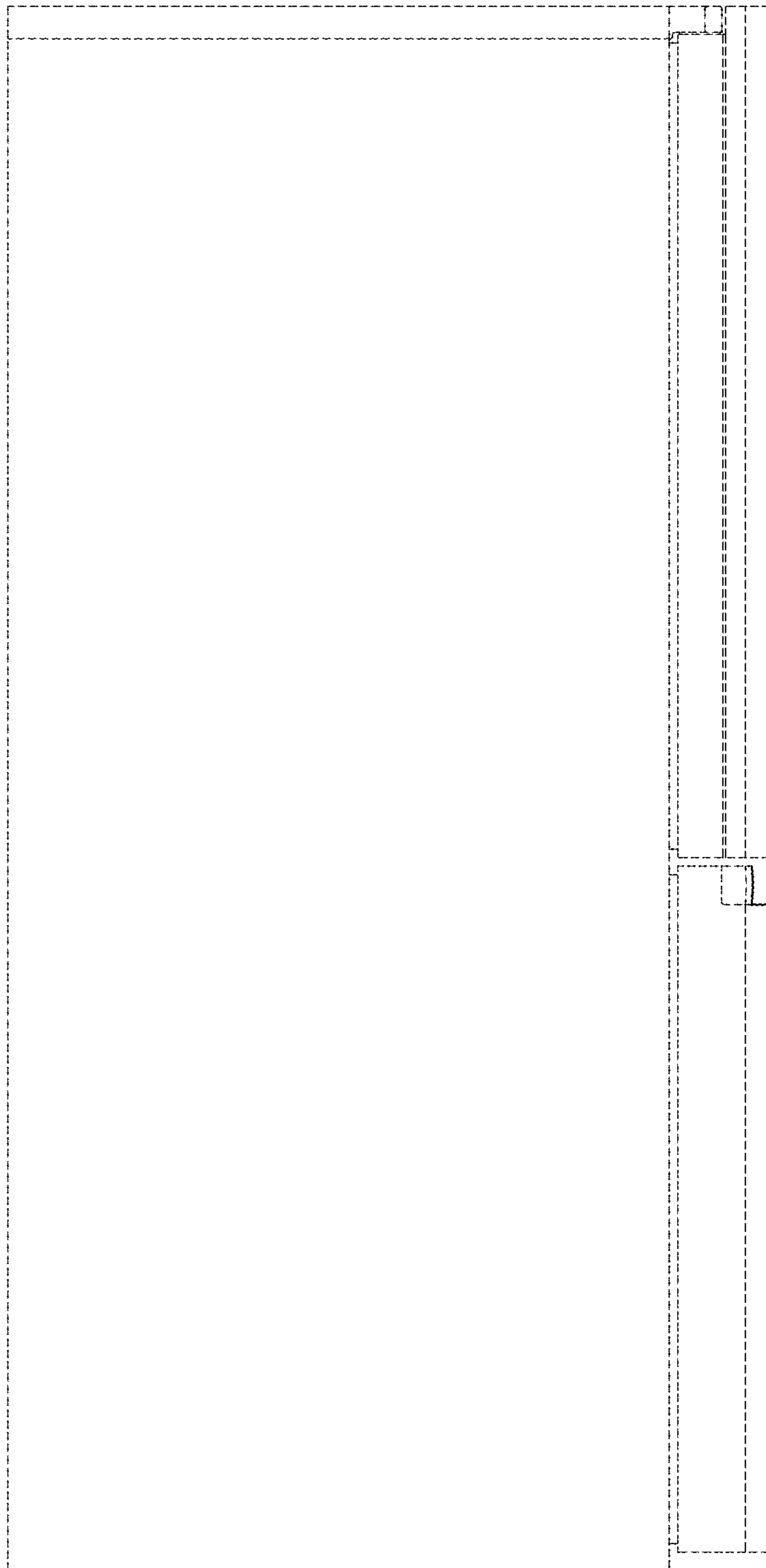


FIG. 11

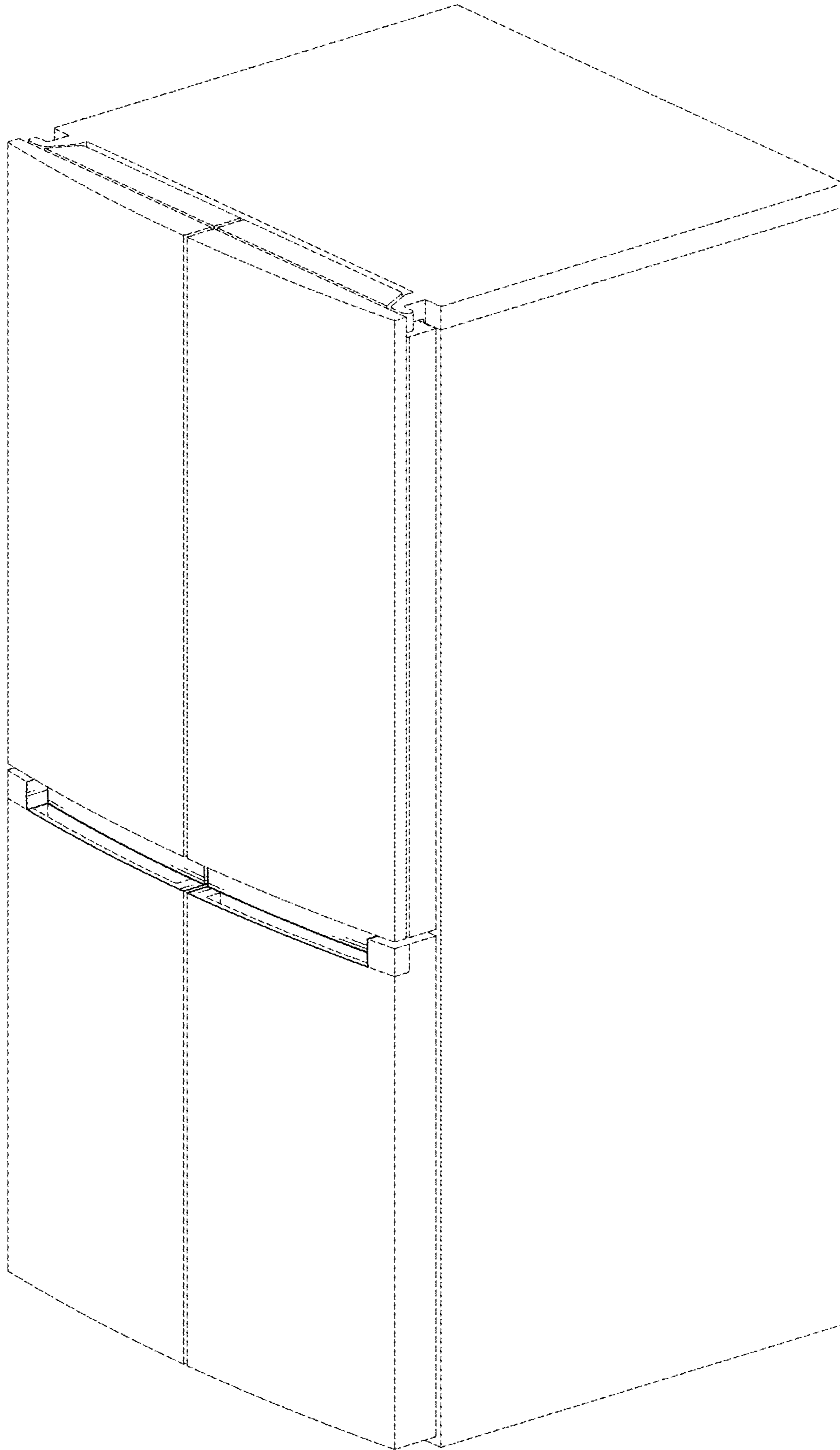


FIG. 12

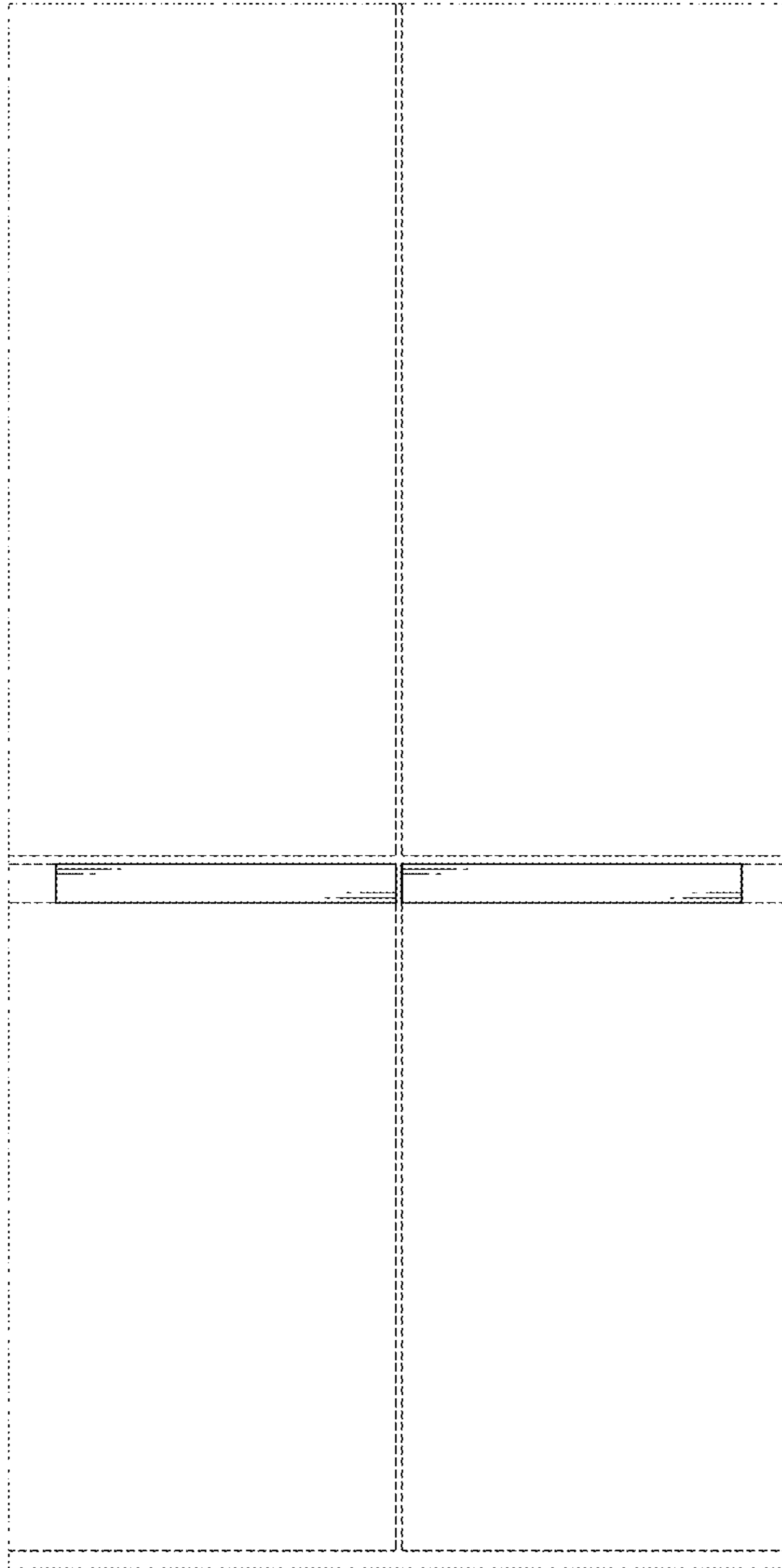


FIG. 13

