



US00D768734S

(12) **United States Design Patent**
Seo et al.

(10) **Patent No.:** **US D768,734 S**

(45) **Date of Patent:** **** Oct. 11, 2016**

(54) **REFRIGERATOR**

(71) Applicant: **LG Electronics Inc.**, Seoul (KR)

(72) Inventors: **Woonkyu Seo**, Seoul (KR); **Jinwon Kang**, Gyeonggi-do (KR); **Myungdong You**, Incheon (KR); **Daesung Lee**, Gyeonggi-do (KR)

(73) Assignee: **LG Electronics Inc.**, Seoul (KR)

(**) Term: **15 Years**

(21) Appl. No.: **29/541,558**

(22) Filed: **Oct. 5, 2015**

Related U.S. Application Data

(63) Continuation of application No. 29/491,434, filed on May 21, 2014, now Pat. No. Des. 742,431.

(30) **Foreign Application Priority Data**

Nov. 22, 2013 (KR) 30-2013-0058815

(51) **LOC (10) Cl.** **15-07**

(52) **U.S. Cl.**
USPC **D15/86**

(58) **Field of Classification Search**

USPC D15/79-91
CPC F25D 25/025; F25D 23/028; F25D 25/02;
F25D 23/04; F25D 23/067; F25D 23/02;
F25D 23/025; F25D 23/23/024; F25D 23/00;
F25D 25/024; F25D 11/00; F25D 23/23/021;
F25D 23/065; F25D 23/069; F25D 2201/14;
F25D 23/23/023; F25D 25/022; F25D 25/04;
F25D 29/005; F25D 17/047; F25D 17/065;
F25D 2303/085; F25D 2317/041; F25D
2317/04131; F25D 2317/043; F25D
2317/062; F25D 2317/0664; F25D 2317/067;
F25D 2321/147; F25D 2323/02; F25D
2323/122; F25D 23/126; F25D 31/002;

F25D 2317/061; F25D 23/12; F25D 2400/06;
F25D 11/02; F25D 2700/12; F25D 17/042;
F25D 17/062; F25D 2317/063

See application file for complete search history.

(56) **References Cited**

U.S. PATENT DOCUMENTS

D680,138 S 4/2013 Seo et al.
D681,695 S 5/2013 Lee et al.
D684,609 S 6/2013 Seo et al.

(Continued)

OTHER PUBLICATIONS

USPTO Notice of Allowance dated Jul. 2, 2015 in parent U.S. Appl. No. 29/491,434.

Primary Examiner — Daniel Bui

Assistant Examiner — Khawaja Anwar

(74) *Attorney, Agent, or Firm* — Mogran, Lewis & Bockius LLP

(57) **CLAIM**

The ornamental design for a refrigerator, as shown and described.

DESCRIPTION

FIG. 1 is a front, right side, perspective view of a refrigerator showing our new design shown in a closed condition; FIG. 2 is a front view thereof; FIG. 3 is a perspective view, shown in an open condition; and, FIG. 4 is a perspective view thereof, shown in another open condition.

The broken lines shown in the drawings illustrate unclaimed portions of the refrigerator and form no part of the claimed design.

1 Claim, 4 Drawing Sheets

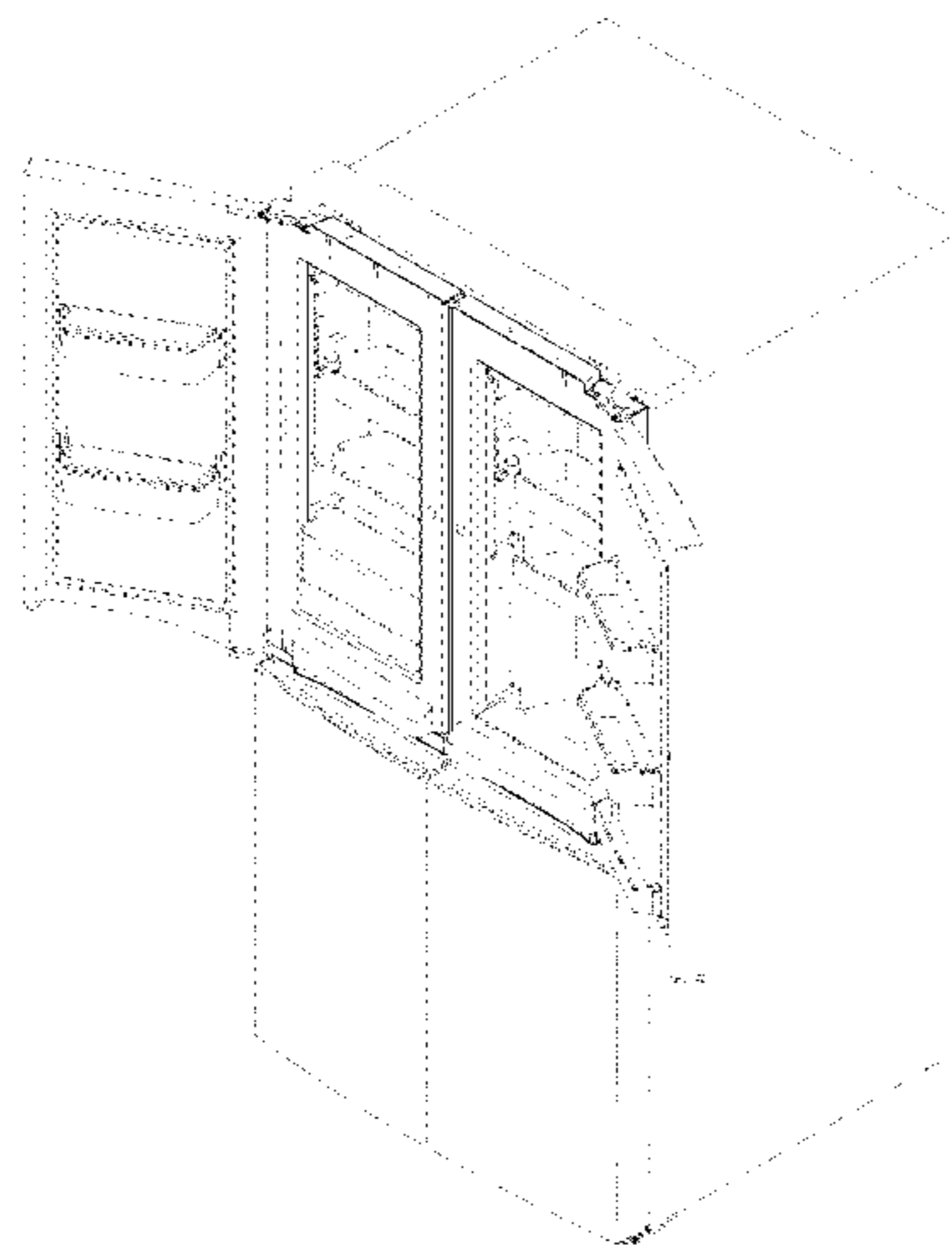
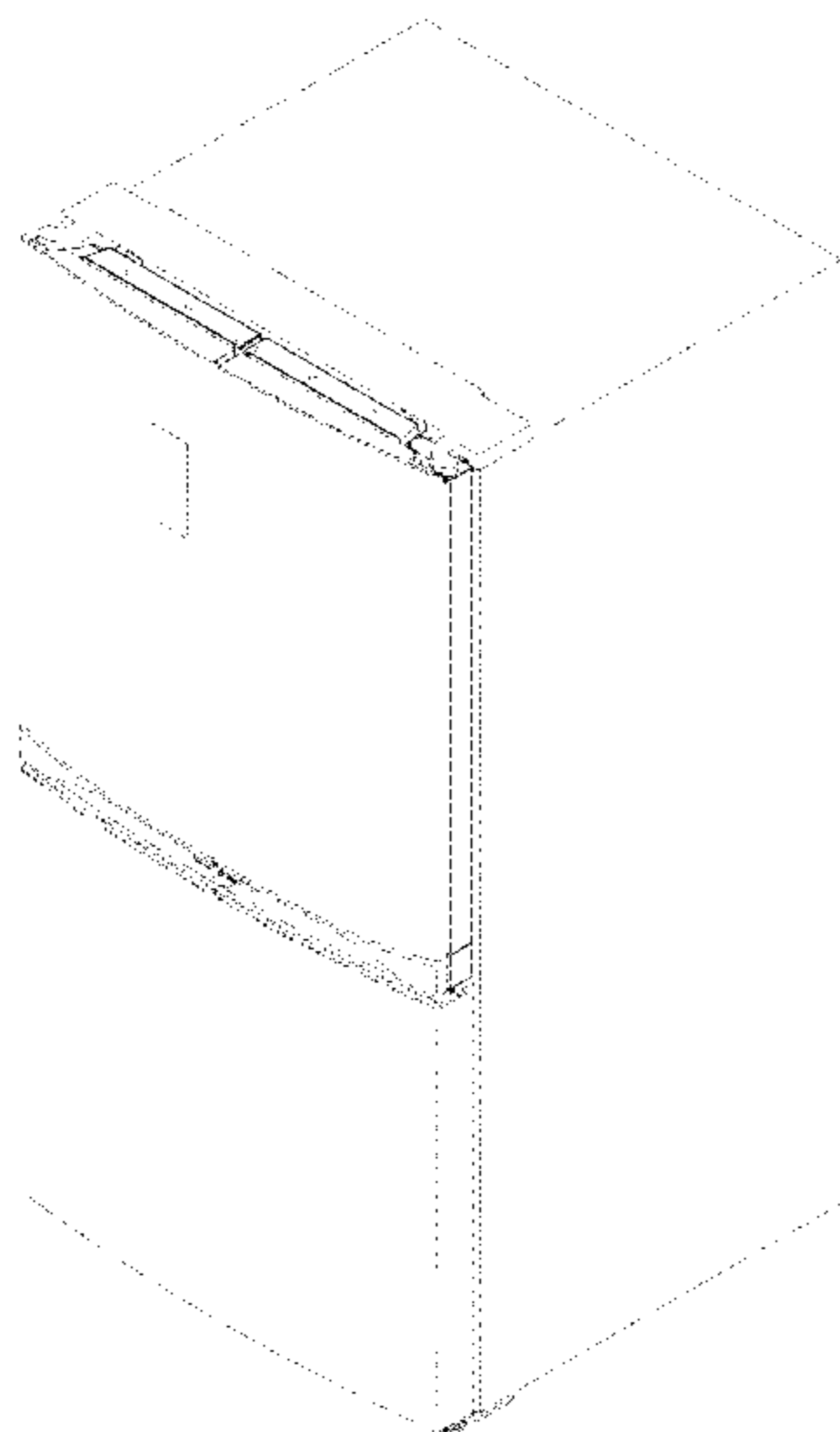


FIG. 3 is a perspective view, shown in an open condition; and, FIG. 4 is a perspective view thereof, shown in another open condition.

(56)

References Cited

U.S. PATENT DOCUMENTS

D713,862 S	*	9/2014	Lee	D15/86	D742,437 S	*	11/2015	Choi	D15/91
D714,360 S		9/2014	Seo et al.			D742,438 S	*	11/2015	Jeon	D15/91
D724,113 S	*	3/2015	Seo	D15/85	D747,368 S	*	1/2016	Kim	D15/85
D742,431 S	*	11/2015	Seo	D15/86	D761,333 S	*	7/2016	Lee	D15/86
						D761,334 S	*	7/2016	Lee	D15/86

* cited by examiner

FIG. 1

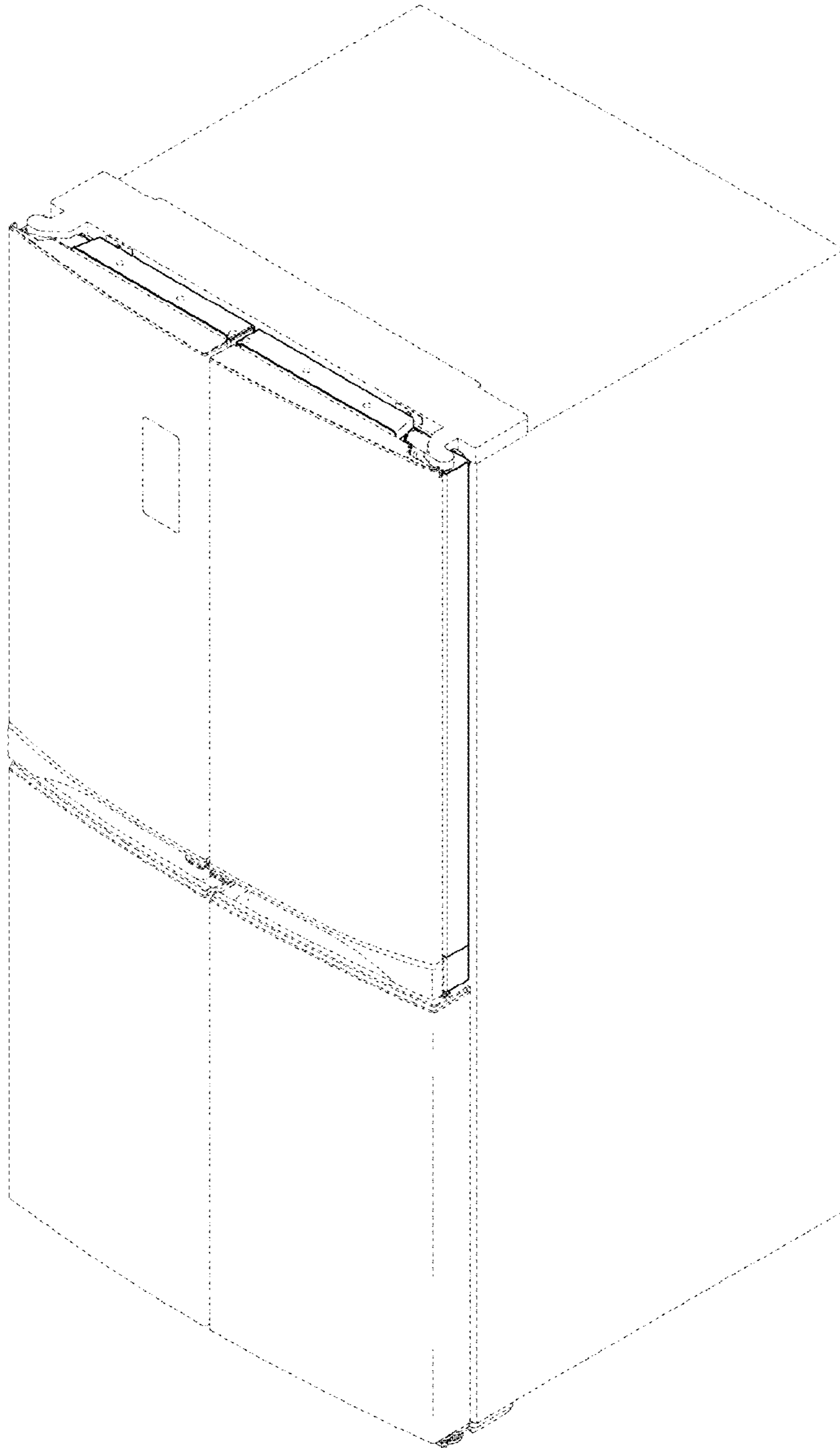


FIG. 2

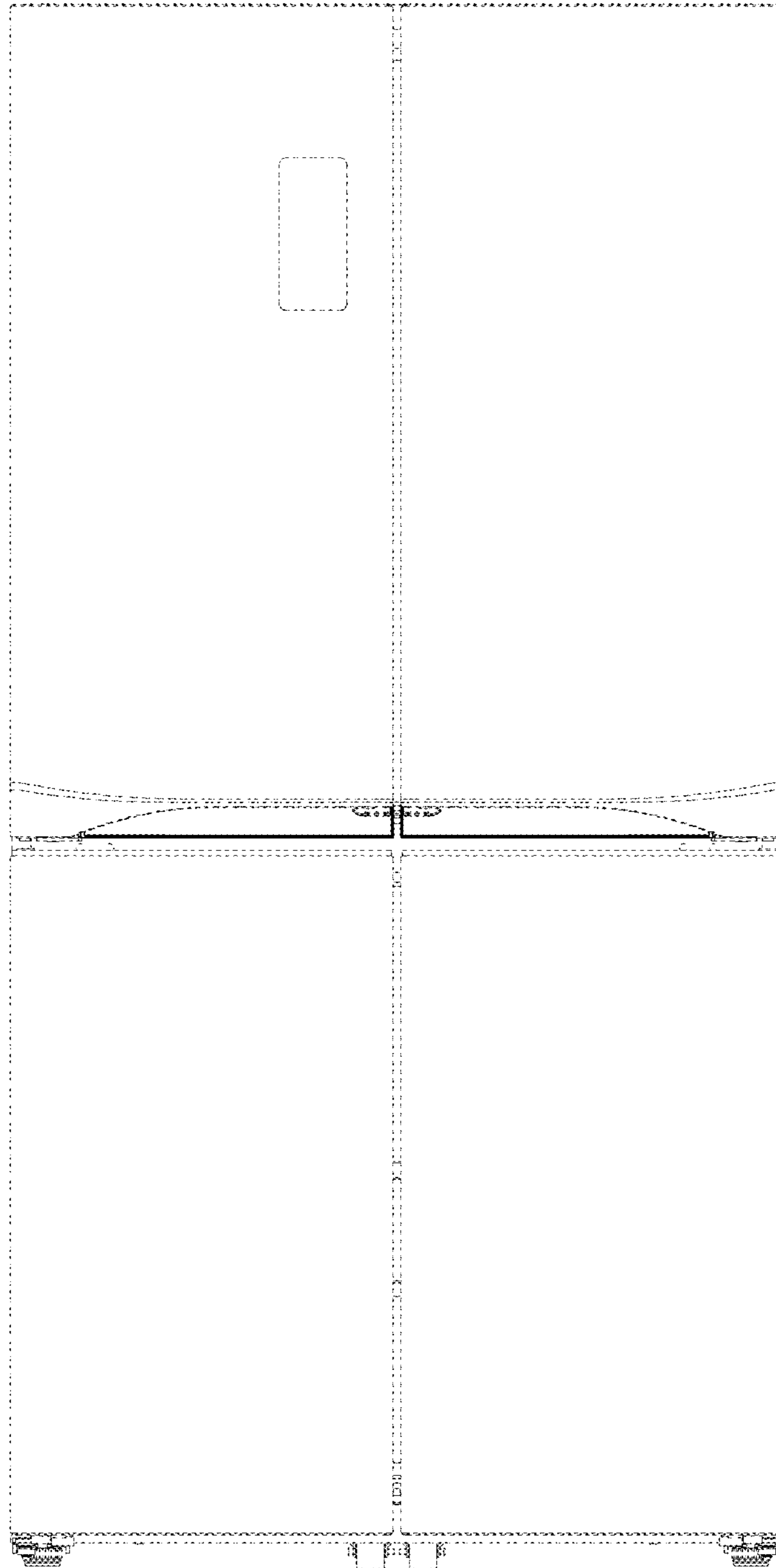


FIG. 3

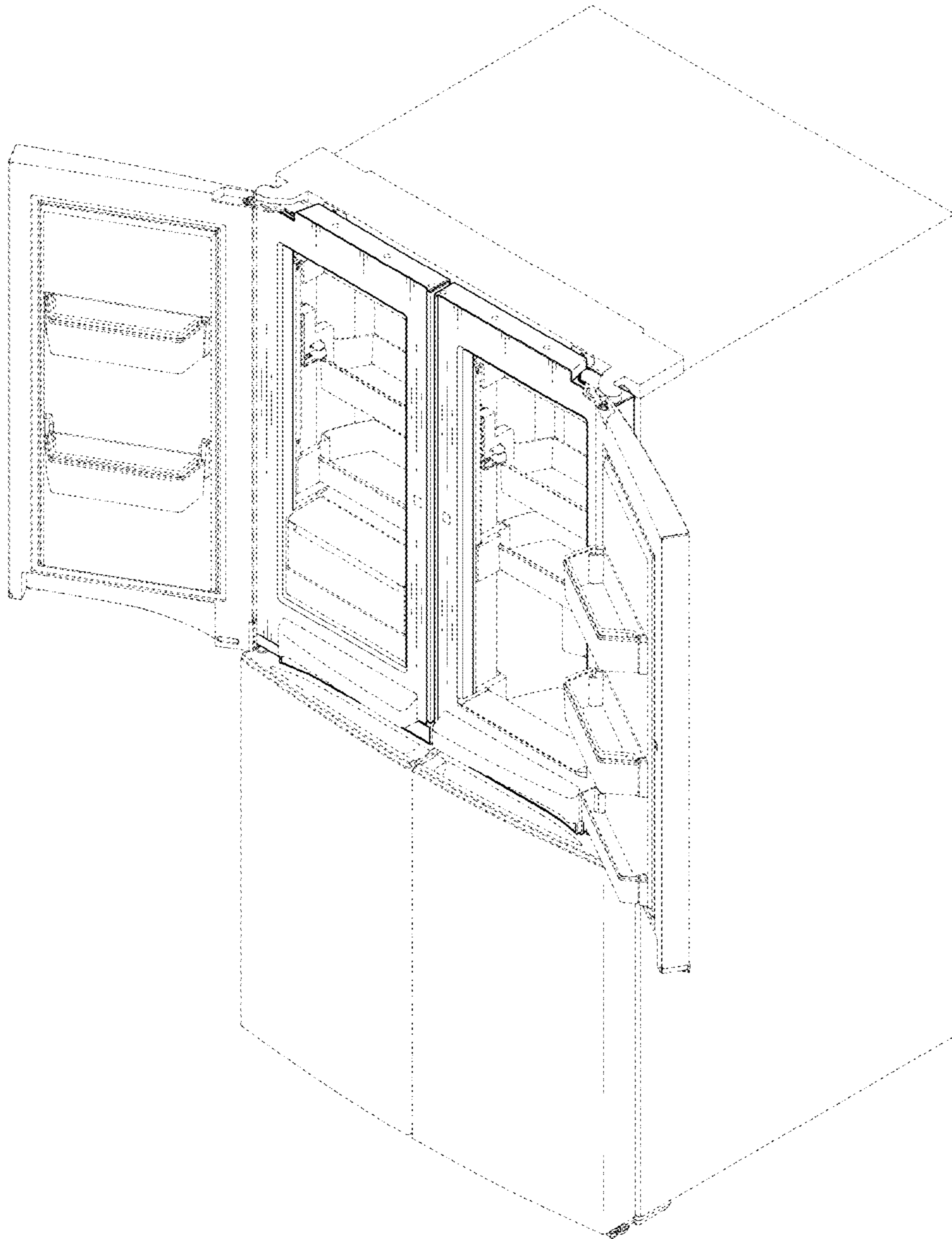


FIG. 4

