



US00D768733S

(12) **United States Design Patent**  
**Resch**

(10) **Patent No.:** **US D768,733 S**  
(45) **Date of Patent:** **\*\* Oct. 11, 2016**

(54) **REFRIGERATING APPARATUS**  
(71) Applicant: **AHT Cooling Systems GmbH,**  
Rottenmann (AT)

F25D 23/12; F25D 29/005; F25D 17/042;  
F25D 2325/021

See application file for complete search history.

(72) Inventor: **Reinhold Resch,** St. Peter (AT)

(56) **References Cited**

(73) Assignee: **AHT Cooling Systems GmbH,**  
Rottenmann (AT)

U.S. PATENT DOCUMENTS

(\*\*) Term: **14 Years**

|          |   |   |         |           |       |        |
|----------|---|---|---------|-----------|-------|--------|
| D586,366 | S | * | 2/2009  | Resch     | ..... | D15/79 |
| D653,683 | S | * | 2/2012  | Resch     | ..... | D15/83 |
| D671,149 | S | * | 11/2012 | Resch     | ..... | D15/83 |
| D671,569 | S | * | 11/2012 | Pauschitz | ..... | D15/83 |
| D697,952 | S | * | 1/2014  | Resch     | ..... | D15/83 |

(21) Appl. No.: **29/509,090**

\* cited by examiner

(22) Filed: **Nov. 13, 2014**

*Primary Examiner* — Daniel Bui

(30) **Foreign Application Priority Data**

*Assistant Examiner* — Khawaja Anwar

May 14, 2014 (EM) ..... 002464354-0001

(51) **LOC (10) Cl.** ..... **15-07**

(57) **CLAIM**

The ornamental design for a refrigerating apparatus, as shown and described.

(52) **U.S. Cl.**

USPC ..... **D15/83**

**DESCRIPTION**

(58) **Field of Classification Search**

USPC ..... D15/79-91

CPC .... F25B 21/02; F25B 2321/02; F25B 1/005;

F25B 2321/0252; F25B 1/00; F25B 1/10;

F25B 21/04; F25B 2339/047; F25B 5/02;

F25B 7/00; F25B 13/00; F25B 1/053; F25B

2309/06; F25B 2321/021; F25B 2321/023;

F25D 23/028; F25D 23/02; F25D 25/025;

F25D 23/00; F25D 2323/021; F25D 11/00;

F25D 2323/024; F25D 23/04; F25D 29/00;

F25D 25/02; F25D 25/024; F25D 27/005;

FIG. 1 is a perspective view of a refrigerating apparatus showing my new design;

FIG. 2 is a front elevation view thereof;

FIG. 3 is a left side elevation view thereof;

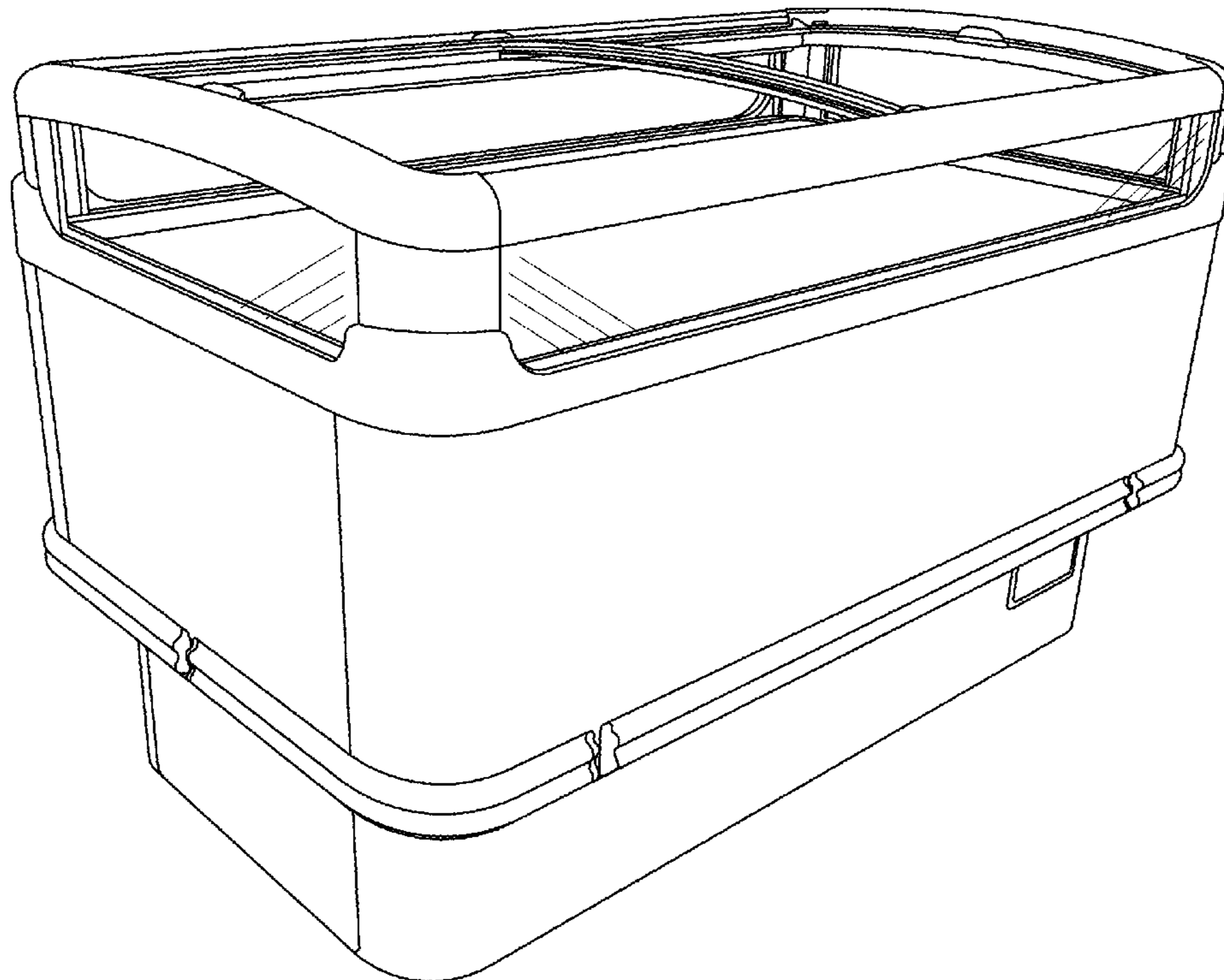
FIG. 4 is a right side elevation view thereof;

FIG. 5 is a top plan view thereof;

FIG. 6 is a rear elevation view thereof; and,

FIG. 7 is a bottom plan view thereof.

**1 Claim, 7 Drawing Sheets**



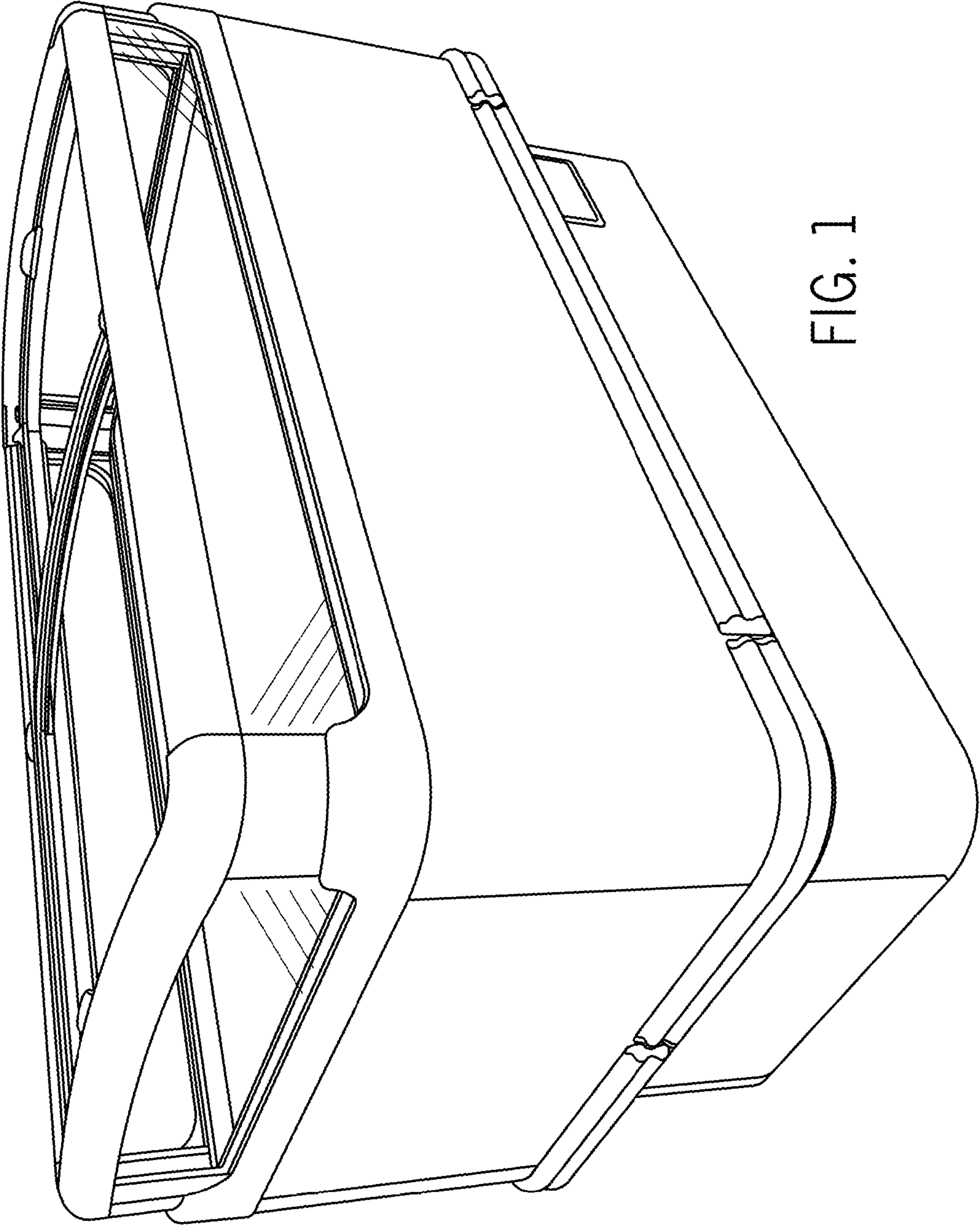


FIG. 1

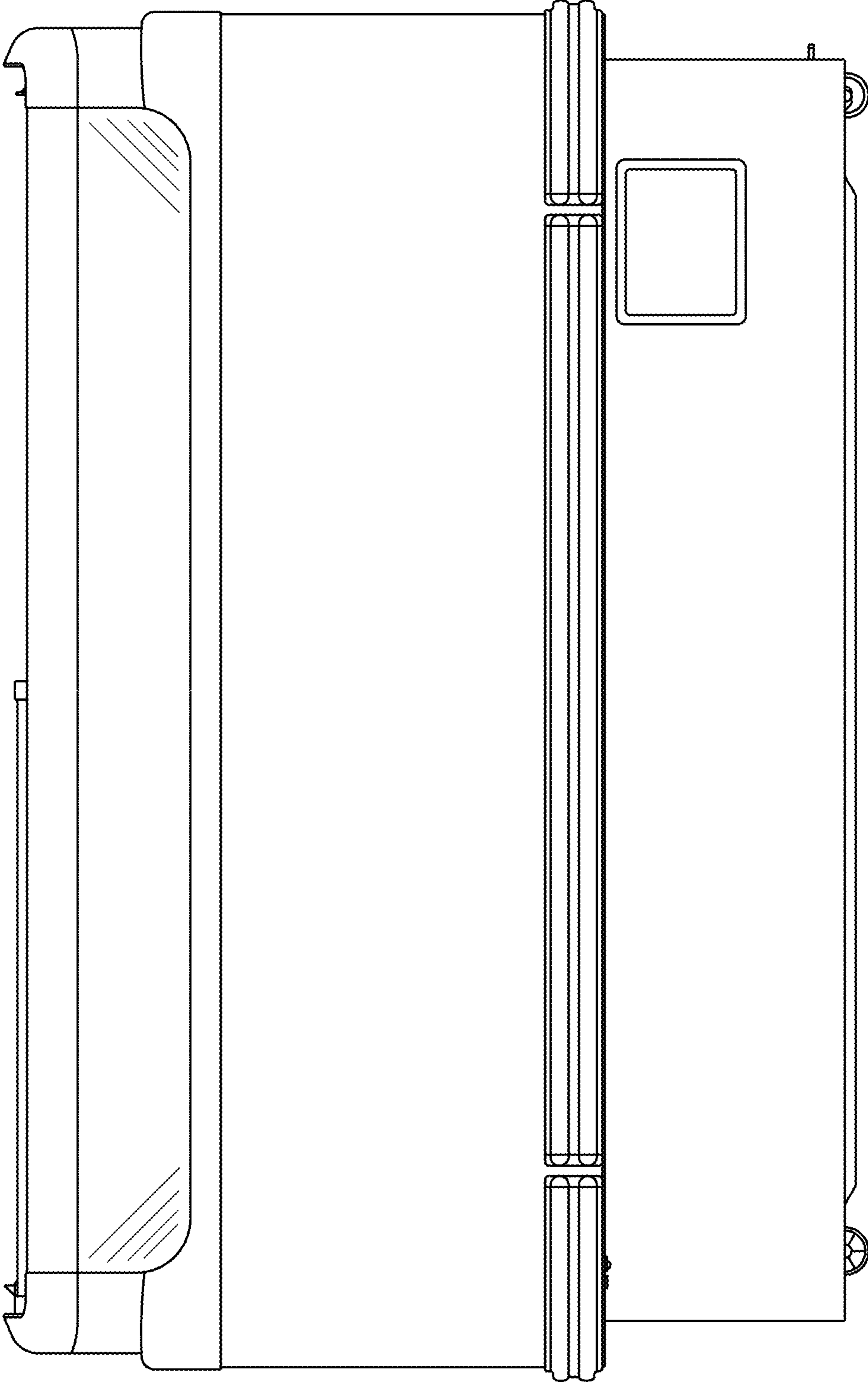


FIG. 2

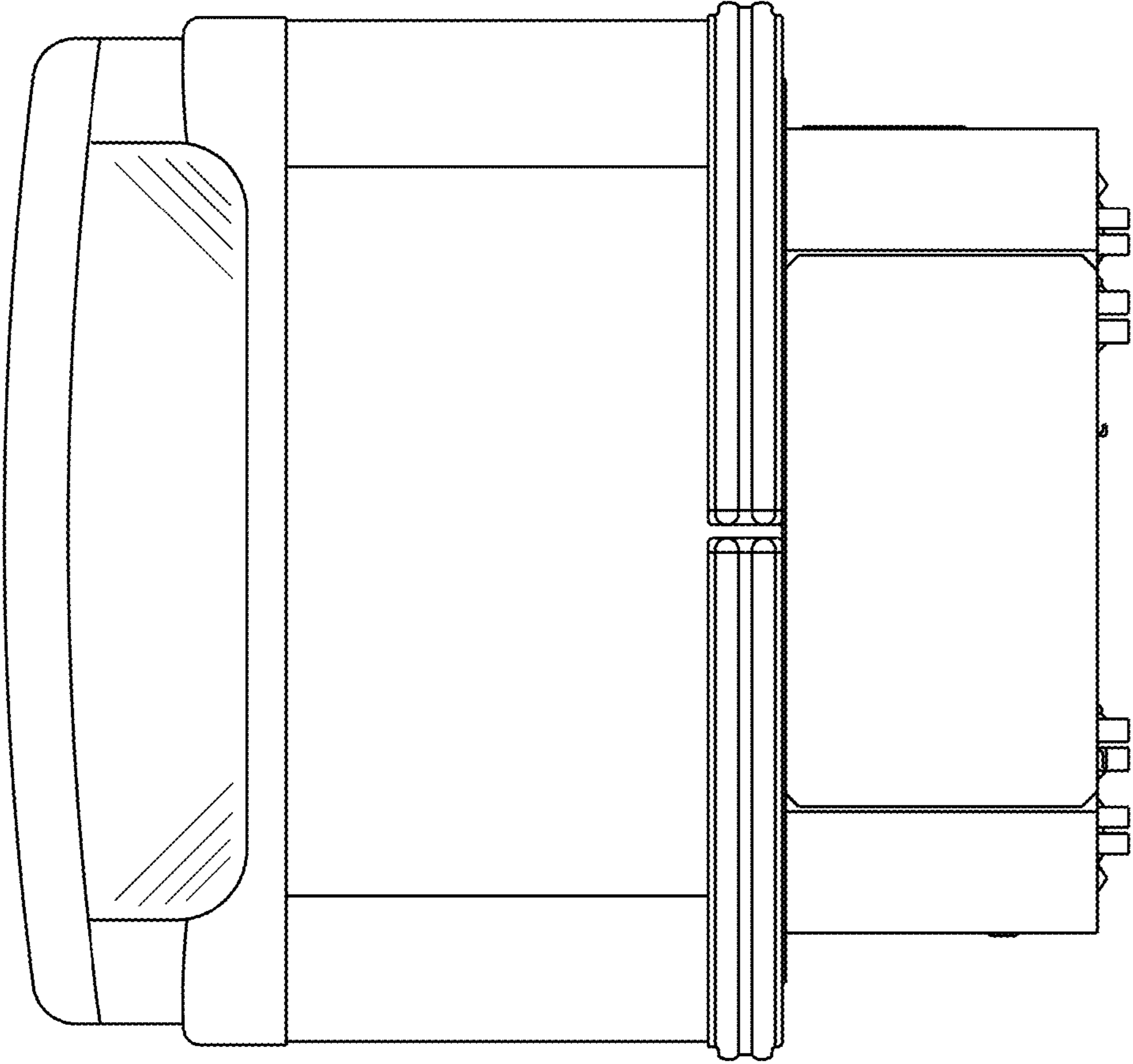


FIG. 3

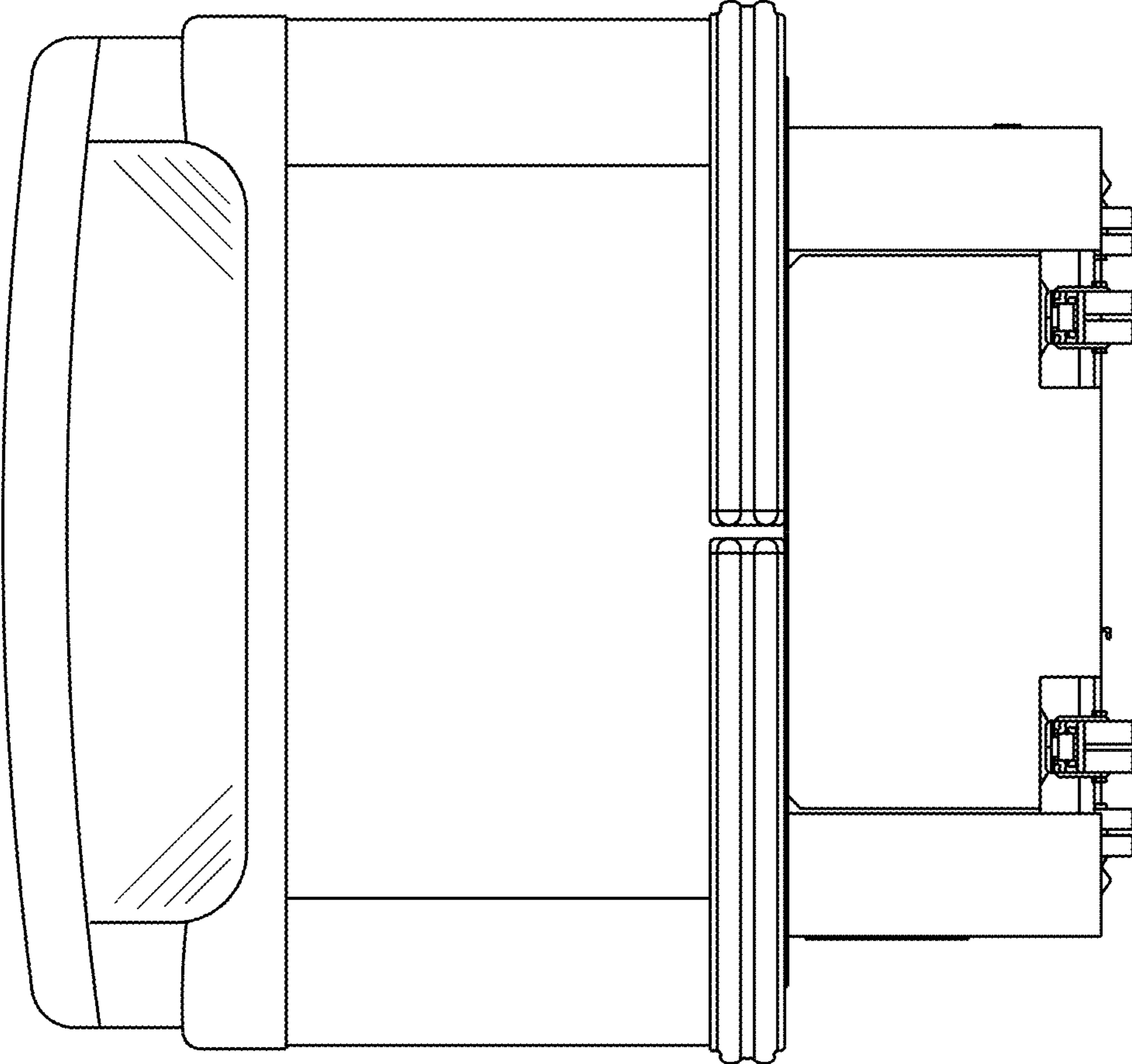


FIG. 4



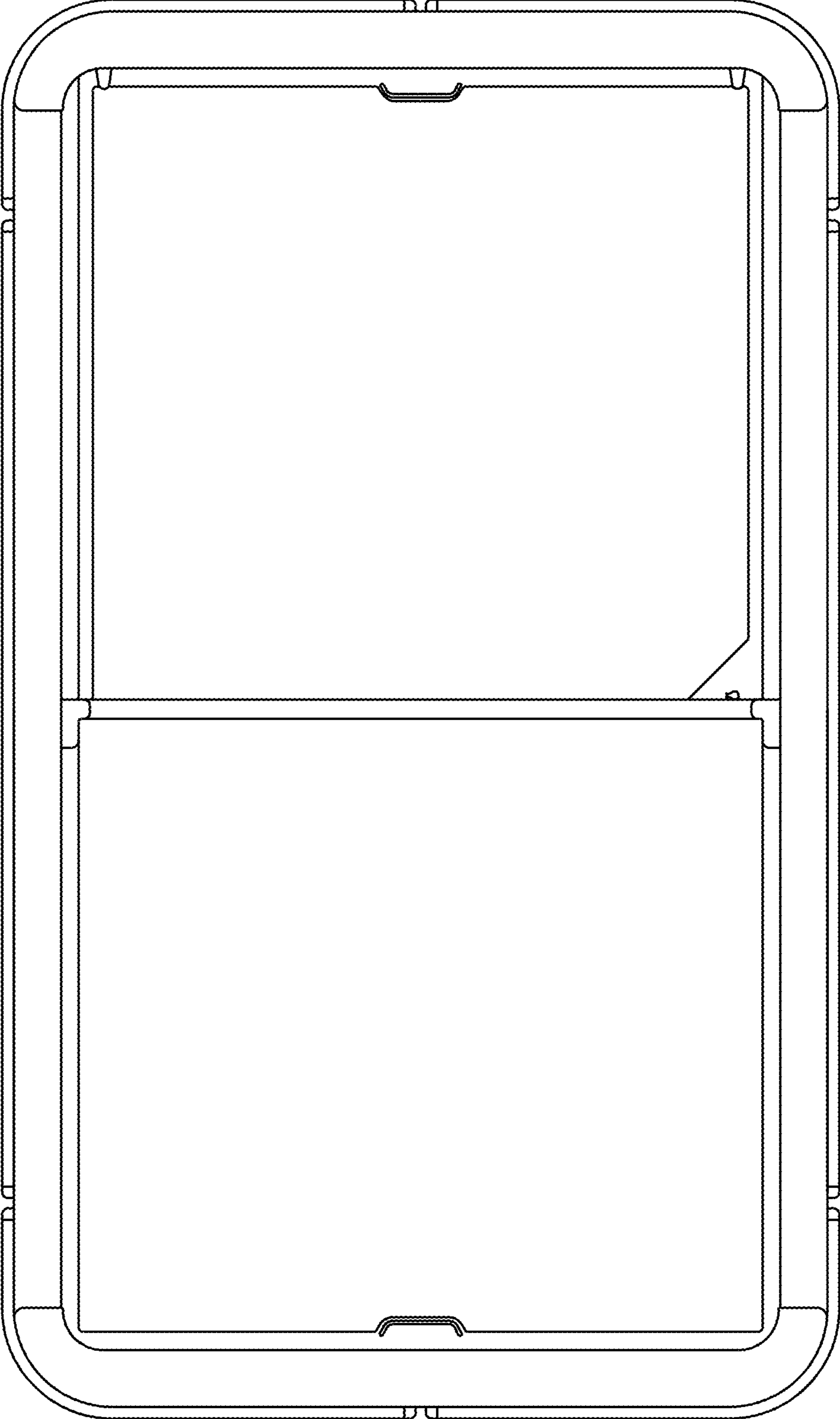


FIG. 5

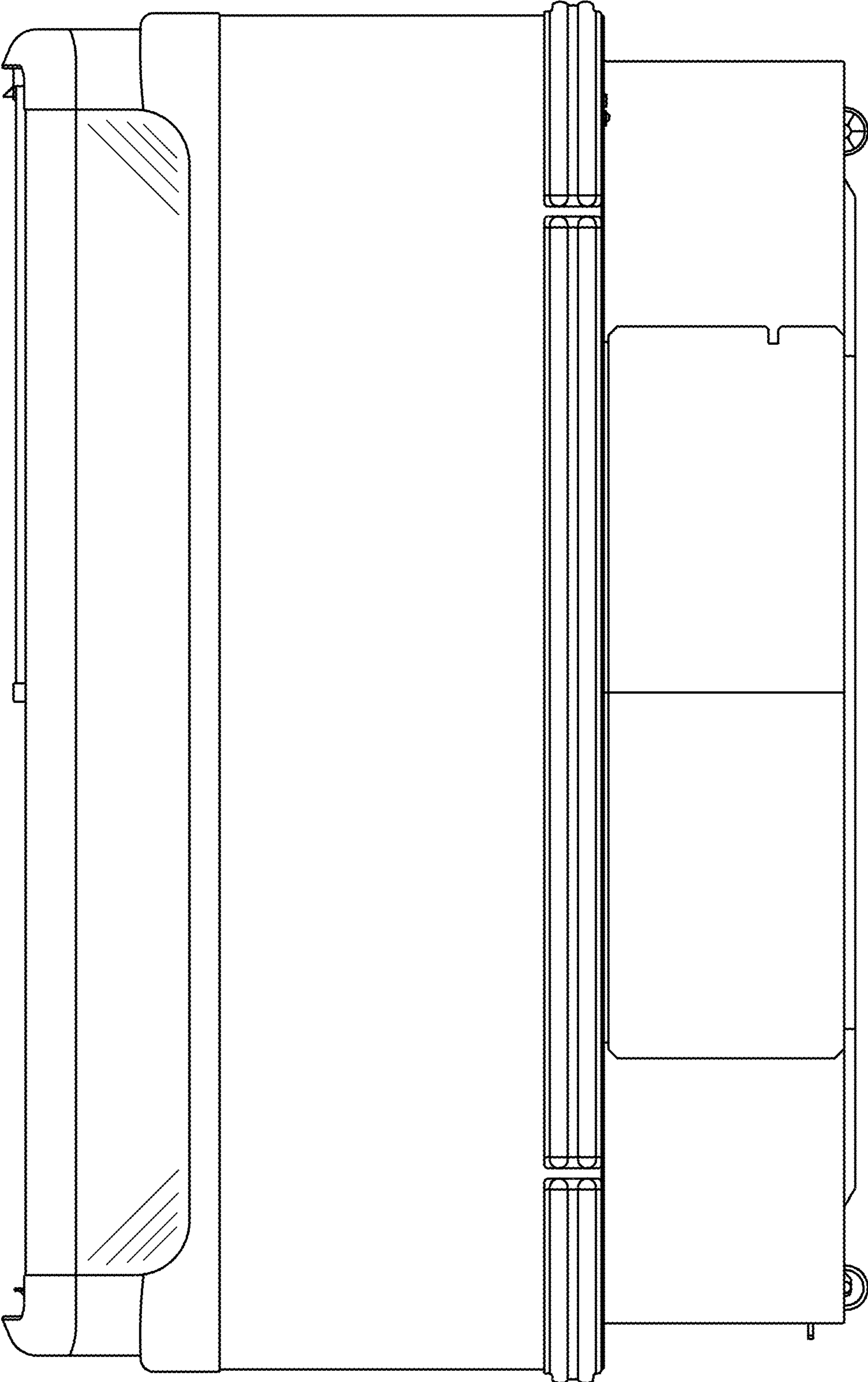


FIG. 6

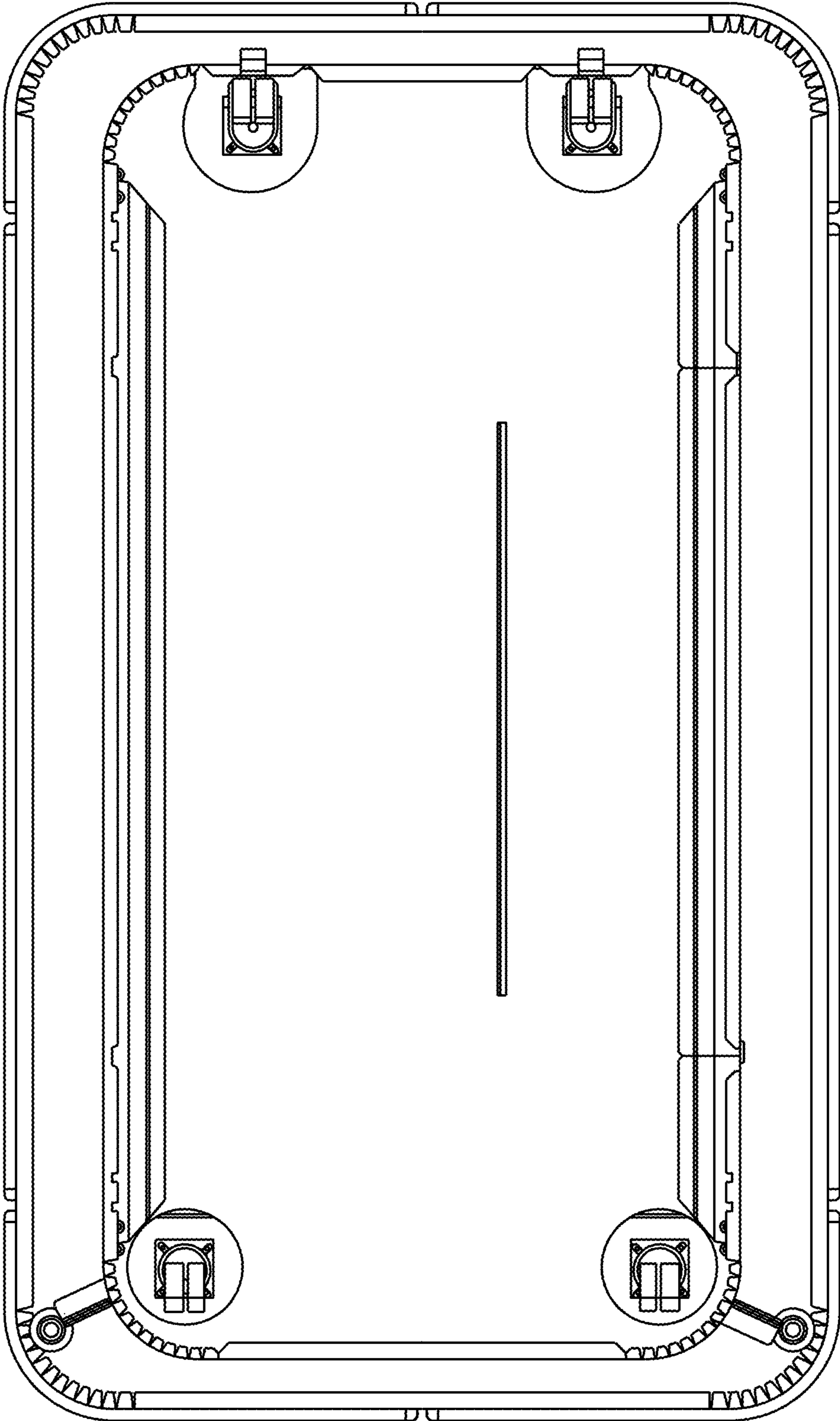


FIG. 7