

US00D768732S

(12) **United States Design Patent**
Bettam

(10) **Patent No.:** **US D768,732 S**
(45) **Date of Patent:** **** Oct. 11, 2016**

(54) **REFRIGERATOR**

(71) Applicant: **XMC Branded Products Inc.**, Toronto (CA)

(72) Inventor: **Colin Bettam**, Toronto (CA)

(73) Assignee: **XMC Branded Products Inc.**, Toronto, ON (CA)

(**) Term: **15 Years**

(21) Appl. No.: **29/530,700**

(22) Filed: **Jun. 18, 2015**

(51) **LOC (10) Cl.** **15-07**

(52) **U.S. Cl.**
USPC **D15/79**

(58) **Field of Classification Search**
USPC D15/79-91
CPC F25D 23/028; F25D 23/02; F25D 25/025;
F25D 23/00; F25D 2323/021; F25D 11/00;
F25D 2323/024; F25D 23/04; F25D 29/00;
F25D 25/02; F25D 25/024; F25D 27/005;
F25D 23/12; F25D 29/005; F25D 17/042;
F25D 2325/021

See application file for complete search history.

(56) **References Cited**

U.S. PATENT DOCUMENTS

1,480,080 A * 1/1924 Kent A47B 61/00
190/10
D282,795 S * 3/1986 Densen D6/667

D399,651 S * 10/1998 Maguire D3/270
D473,607 S * 4/2003 Owens D21/801
D545,505 S * 6/2007 Cicero D30/102
D596,399 S * 7/2009 Decarlo D3/291
D660,885 S * 5/2012 Crawford D15/83
D677,463 S * 3/2013 Cenzano D3/272
D679,298 S 4/2013 Golding
D726,783 S 4/2015 Haygeman et al.
D750,140 S * 2/2016 Cross D15/81

* cited by examiner

Primary Examiner — Daniel Bui

Assistant Examiner — Khawaja Anwar

(74) *Attorney, Agent, or Firm* — Manelli Selter PLLC;
Edward J. Stemberger

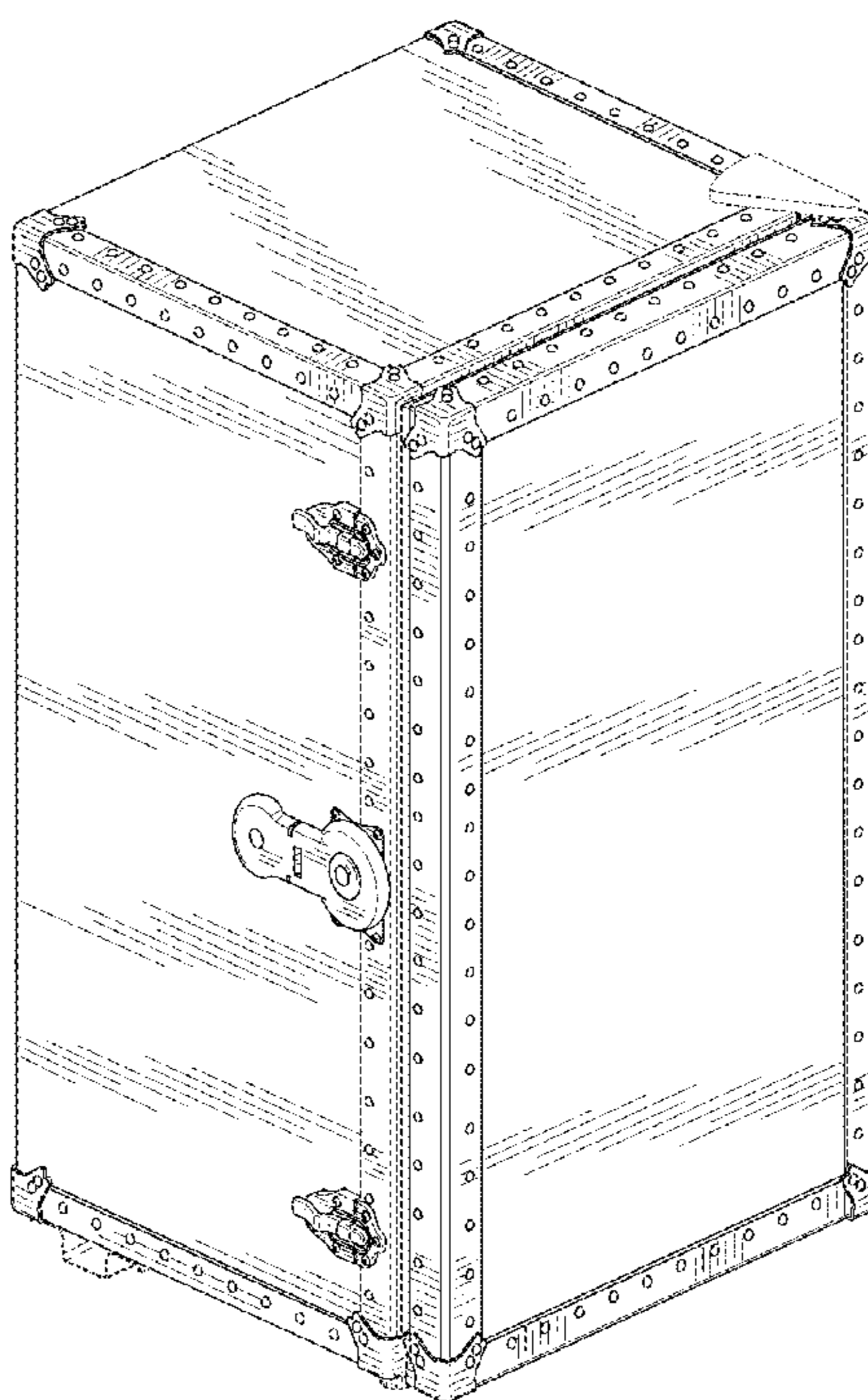
(57) **CLAIM**

The ornamental design for a refrigerator, as shown and described.

DESCRIPTION

FIG. 1 is a front perspective view of a refrigerator, showing my new design;
FIG. 2 is a left side view thereof;
FIG. 3 is a front view thereof;
FIG. 4 is a right side view thereof;
FIG. 5 is a rear view thereof;
FIG. 6 is a top view thereof; and,
FIG. 7 is a bottom view thereof.
Portions of the refrigerator shown in broken lines form no part of the claimed design.

1 Claim, 4 Drawing Sheets



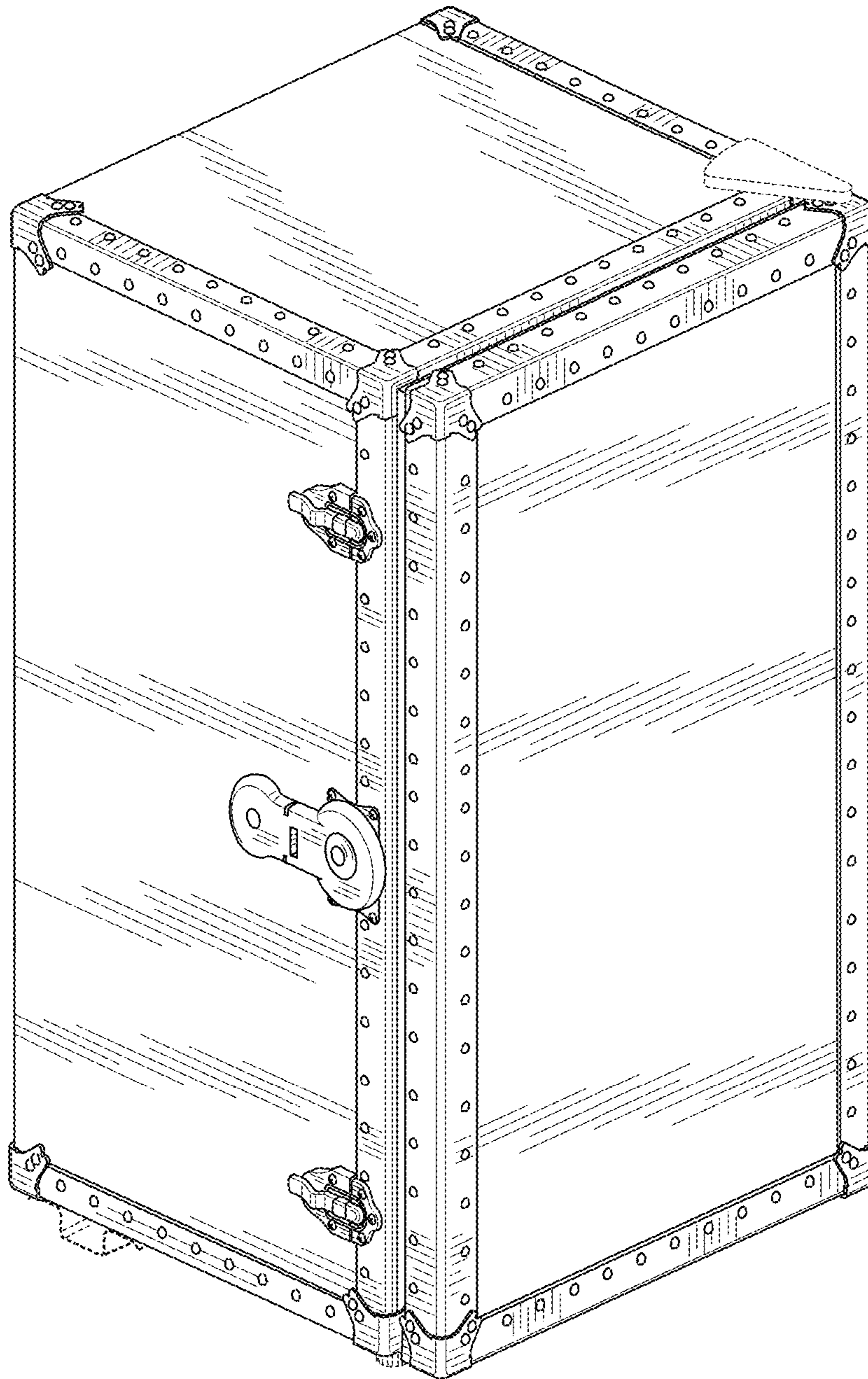


FIG. 1

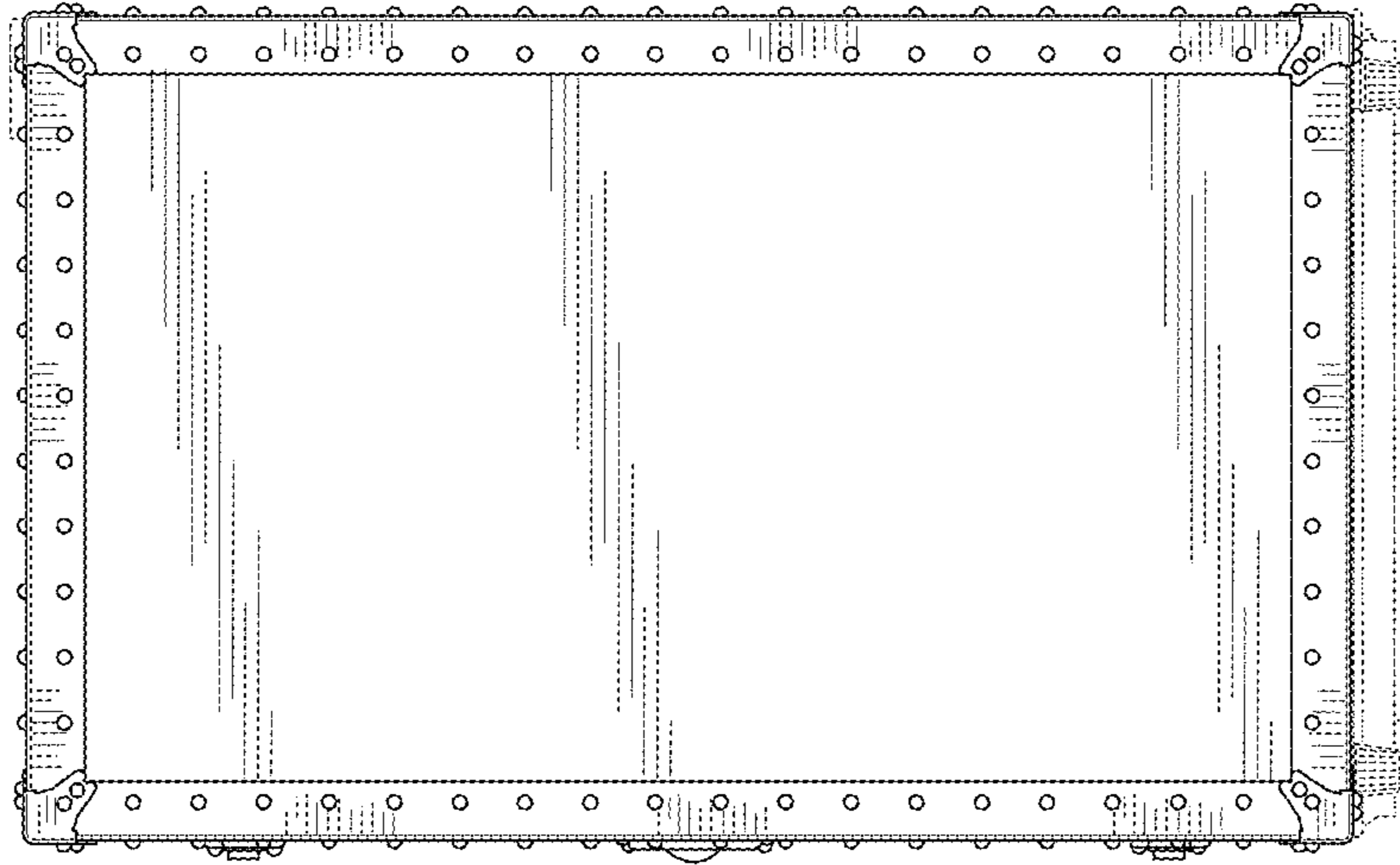


FIG. 3

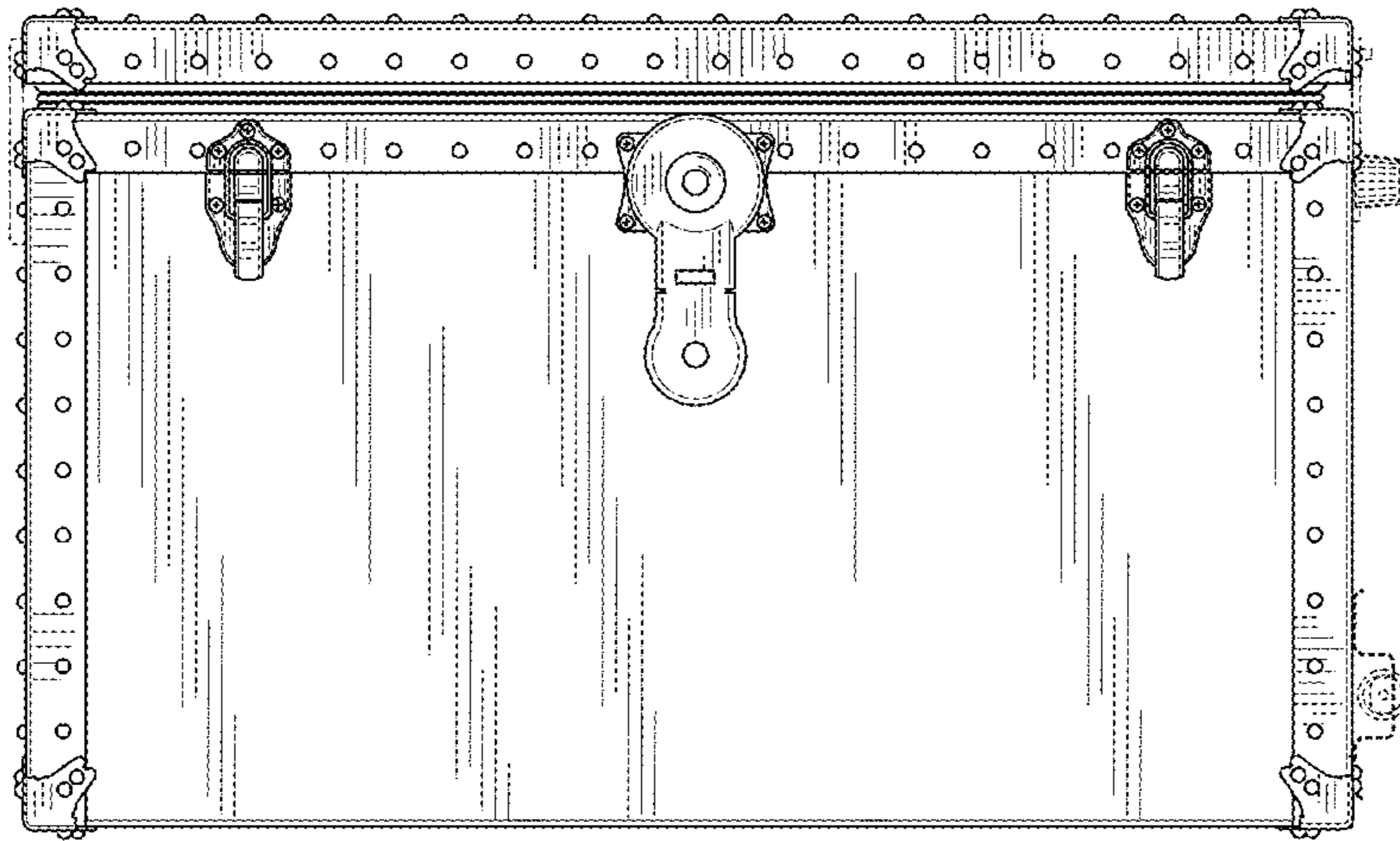


FIG. 2

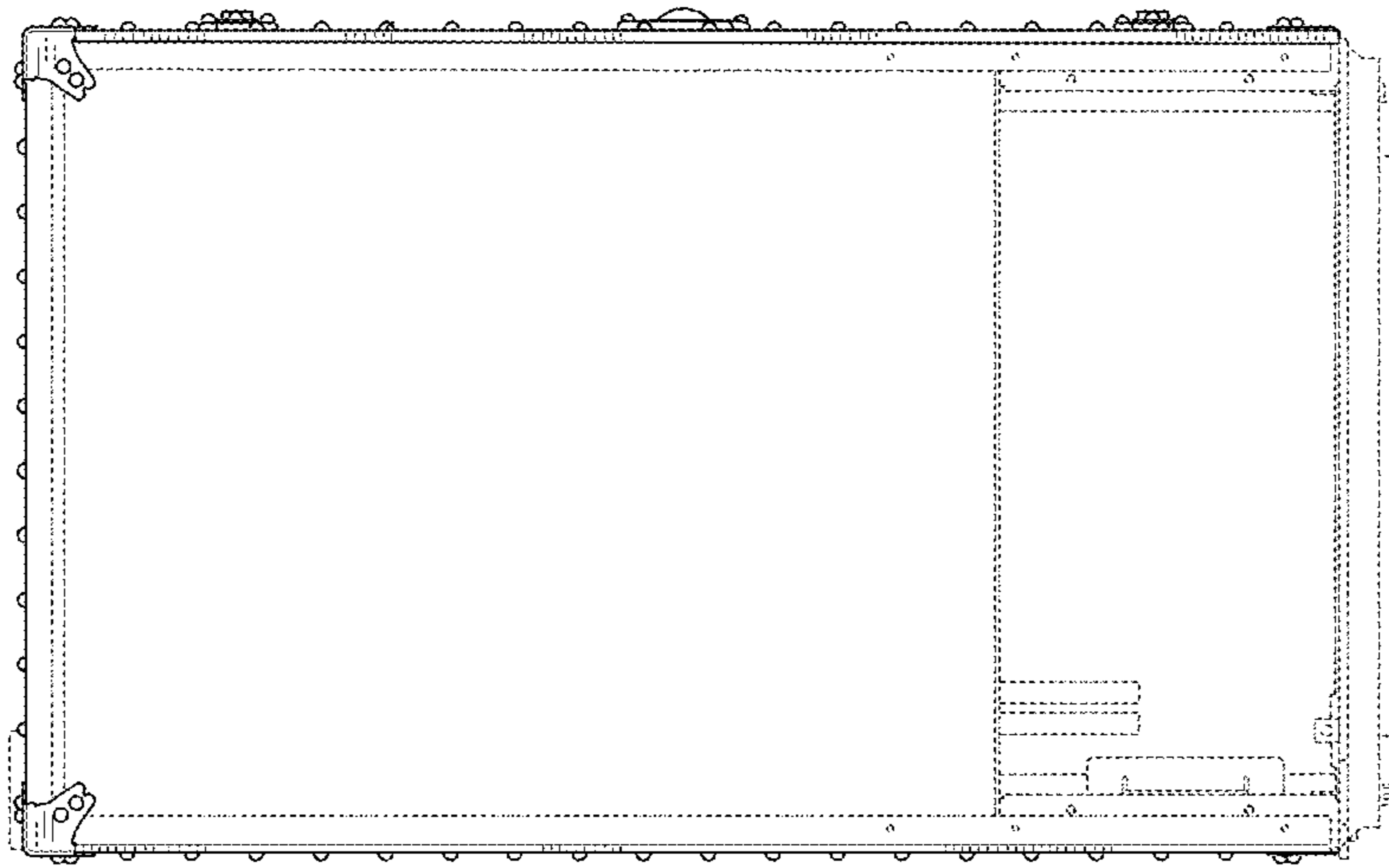


FIG. 5

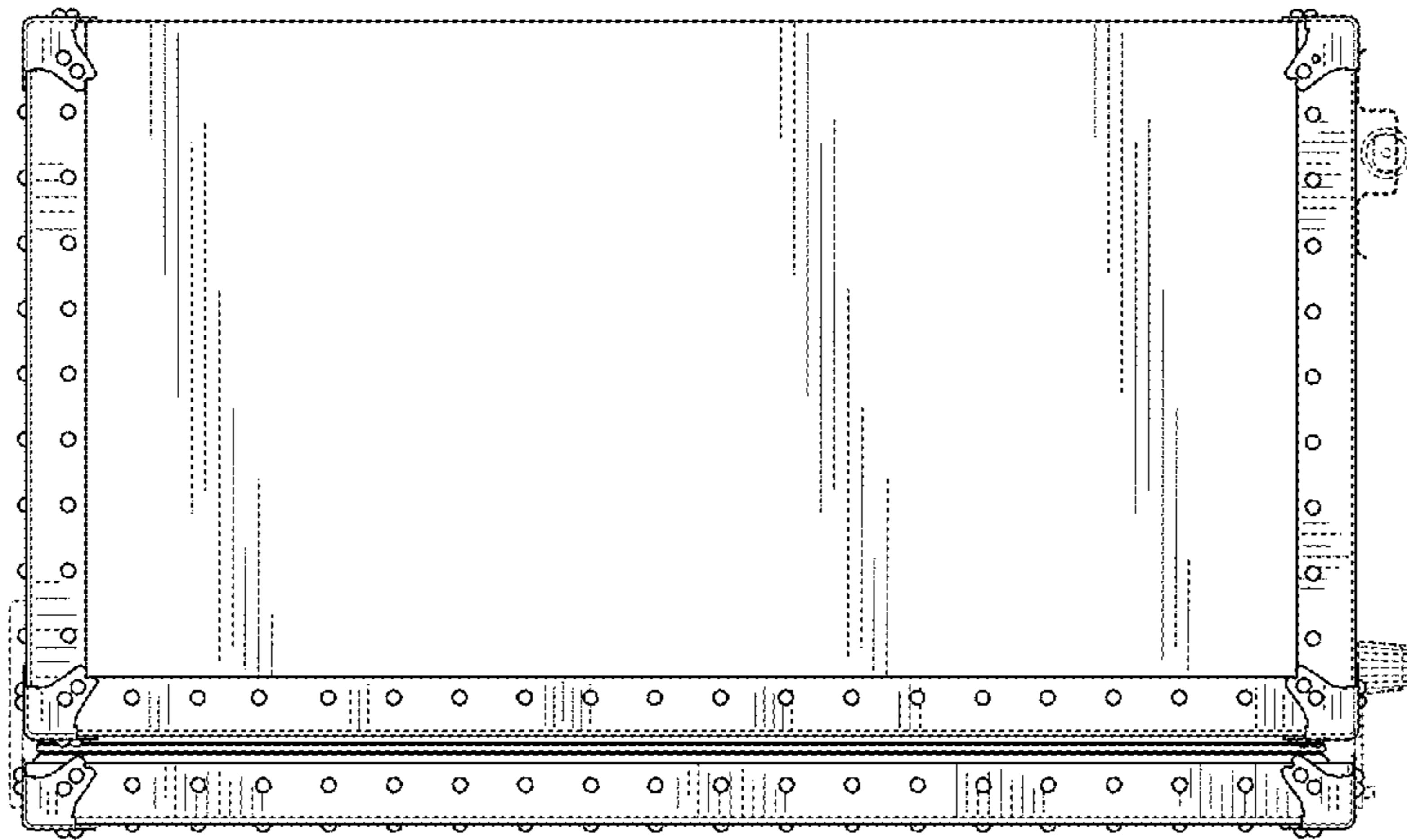


FIG. 4

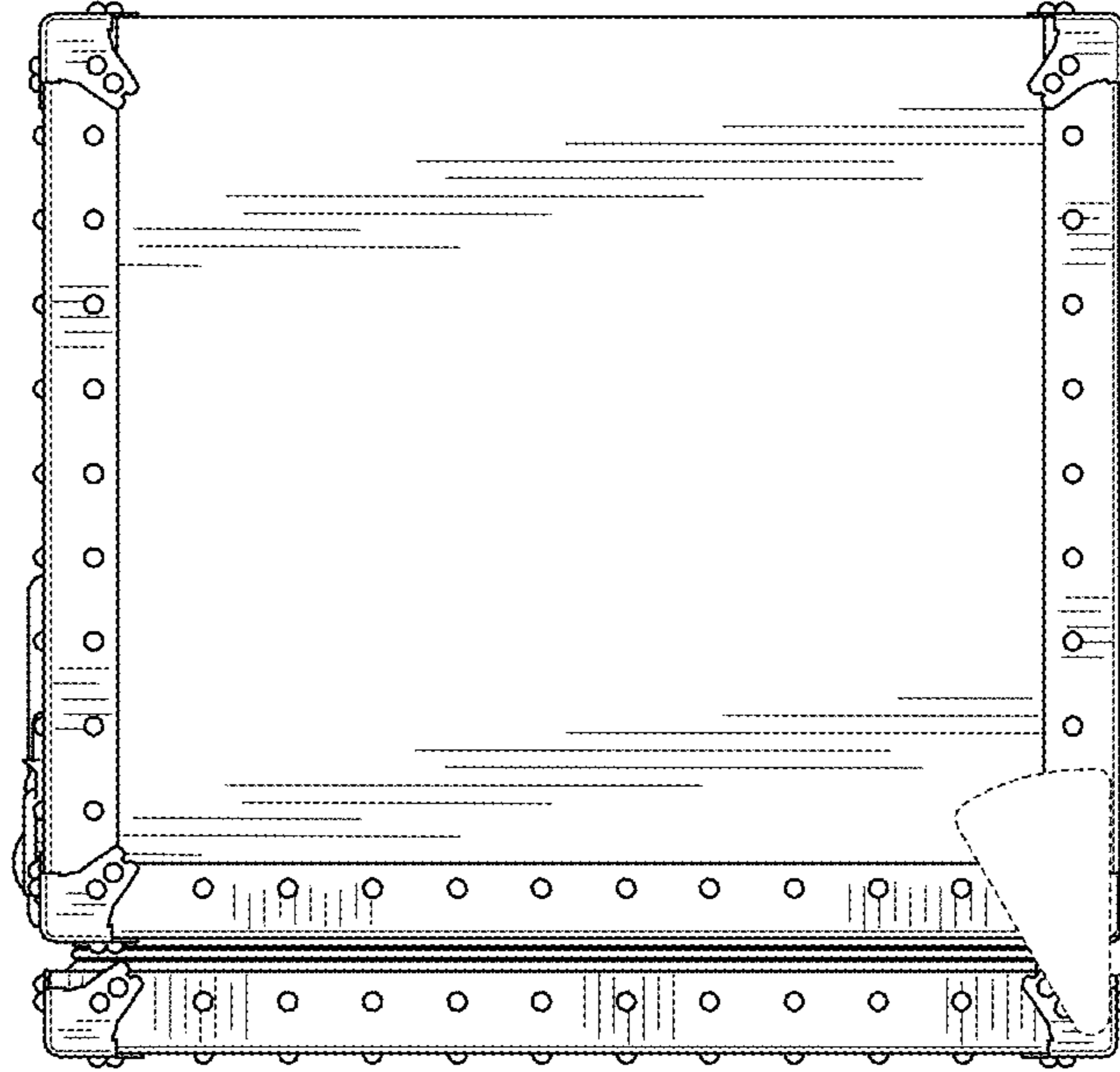


FIG. 6

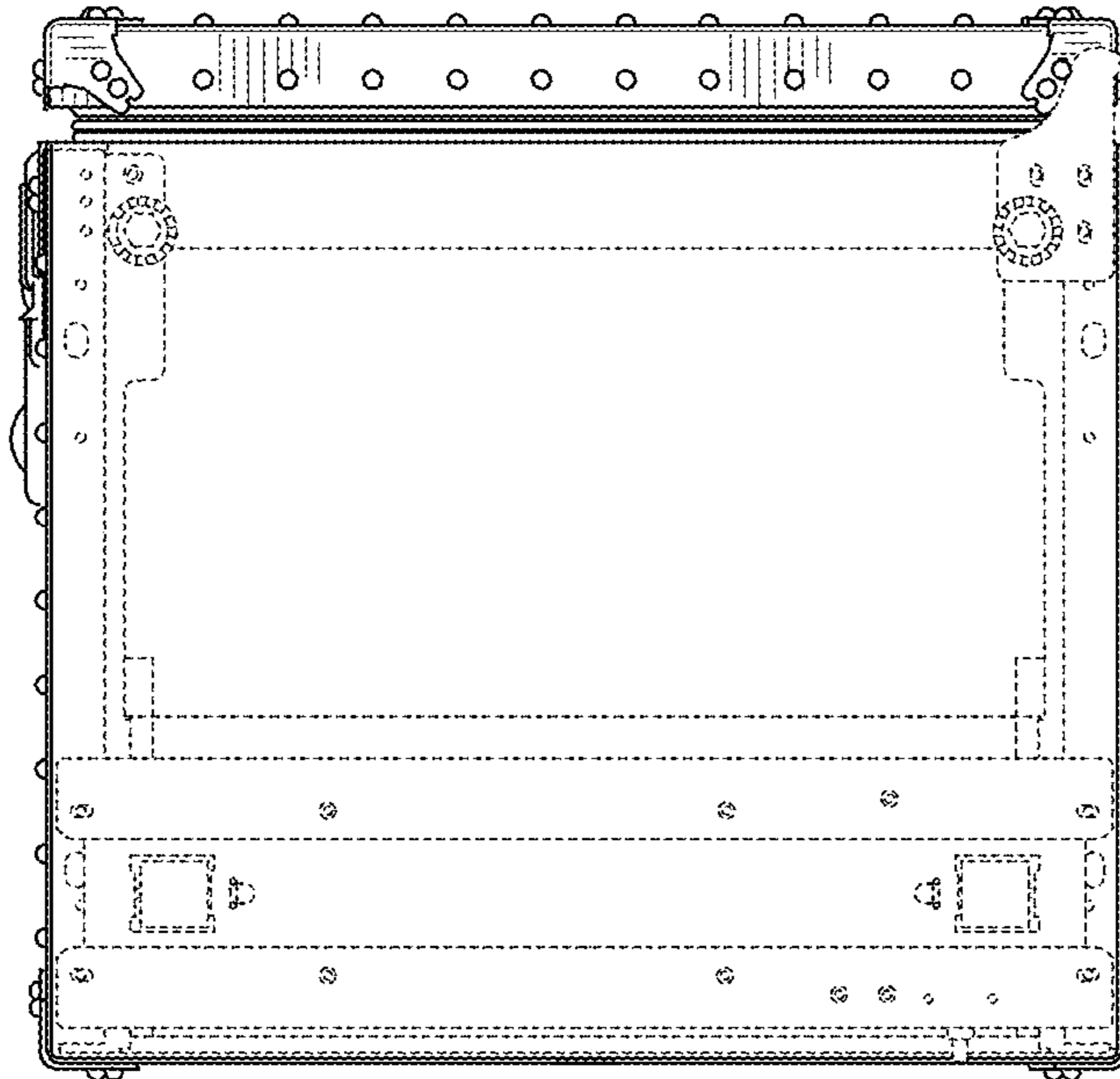


FIG. 7