



US00D768731S

(12) **United States Design Patent** (10) **Patent No.:** **US D768,731 S**  
**Esqueda et al.** (45) **Date of Patent:** **\*\* \*Oct. 11, 2016**

- (54) **FRONTLOADER**
- (71) Applicant: **Deere & Company**, Moline, IL (US)
- (72) Inventors: **Daniel Esqueda**, Monterrey (MX);  
**Israel Priego**, Monterrey (MX)
- (73) Assignee: **DEERE & COMPANY**, Moline, IL (US)
- (\*) Notice: This patent is subject to a terminal disclaimer.
- (\*\*) Term: **14 Years**
- (21) Appl. No.: **29/506,469**
- (22) Filed: **Oct. 16, 2014**
- (30) **Foreign Application Priority Data**  
Apr. 16, 2014 (DE) ..... 001409205
- (51) **LOC (10) Cl.** ..... **15-03**
- (52) **U.S. Cl.**  
USPC ..... **D15/32**
- (58) **Field of Classification Search**  
USPC ..... D15/10, 22-26, 28, 29, 32  
CPC ..... E02F 9/2275; E02F 3/34; E02F 3/28;  
E02F 3/36; E02F 3/6273; E02F 3/627;  
E02F 3/432; E02F 3/422; E02F 3/3408;  
E02F 3/382  
See application file for complete search history.

- (56) **References Cited**  
U.S. PATENT DOCUMENTS  
2,989,199 A \* 6/1961 Hough et al. .... 414/706  
4,161,369 A \* 7/1979 Moreno ..... 414/722  
4,162,872 A \* 7/1979 Grooss et al. .... 414/713  
4,576,543 A \* 3/1986 Kuchyt et al. .... 414/722  
D339,813 S \* 9/1993 Houkom ..... D15/32  
5,611,657 A \* 3/1997 Peterson ..... 414/722

- D405,098 S \* 2/1999 Andrews et al. .... D15/28
- D410,240 S \* 5/1999 Sasaki ..... D15/32
- D412,913 S \* 8/1999 Sasaki ..... D15/32
- D451,105 S \* 11/2001 Masumoto et al. .... D15/28
- D459,368 S \* 6/2002 Westendorf et al. .... D15/32
- D469,448 S \* 1/2003 Bares et al. .... D15/32
- D507,004 S \* 7/2005 Westendorf et al. .... D15/32
- D518,075 S \* 3/2006 Westendorf et al. .... D15/32
- D528,569 S \* 9/2006 Nilsson ..... D15/32
- D529,053 S \* 9/2006 Stender et al. .... D15/32
- D533,883 S \* 12/2006 Higashikawa et al. .... D15/32
- 7,281,890 B2 \* 10/2007 Friesen et al. .... 414/686
- D562,351 S \* 2/2008 Higashikawa ..... D15/28
- 7,451,587 B2 \* 11/2008 Komiya et al. .... 56/17.1
- D584,749 S \* 1/2009 Smith et al. .... D15/28
- D595,746 S \* 7/2009 Iida et al. .... D15/32
- D598,031 S \* 8/2009 Smith et al. .... D15/28
- D602,508 S \* 10/2009 Shimomura et al. .... D15/32
- D610,172 S \* 2/2010 Yukino et al. .... D15/32
- D628,604 S \* 12/2010 Major ..... D15/32
- D646,306 S \* 10/2011 Bradley et al. .... D15/32
- D649,170 S \* 11/2011 Barba ..... D15/32
- D649,171 S \* 11/2011 Barba ..... D15/32
- D656,164 S \* 3/2012 Nilsson ..... D15/32
- D656,523 S \* 3/2012 Nilsson ..... D15/32
- D672,372 S \* 12/2012 Nilsson ..... D15/32
- D739,446 S \* 9/2015 Nilsson ..... D15/32

(Continued)

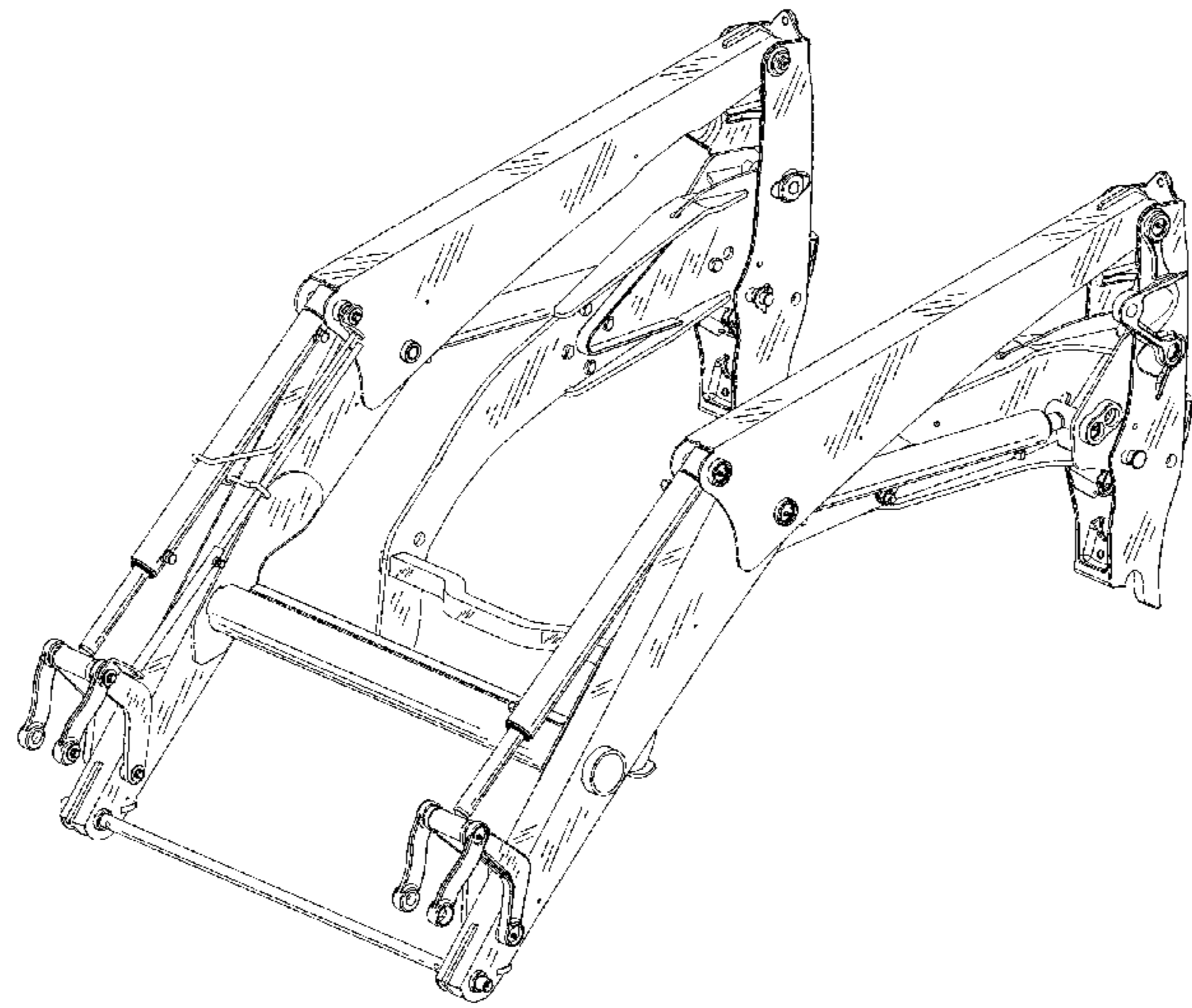
Primary Examiner — Mitchell Siegel

(57) **CLAIM**  
The ornamental design for a frontloader, design, as shown and described.

**DESCRIPTION**

FIG. 1 is the perspective view of the frontloader.  
FIG. 2 is the left side view of the frontloader.  
FIG. 3 is the right side view of the frontloader.  
FIG. 4 is the front view of the frontloader.  
FIG. 5 is the rear view of the frontloader.  
FIG. 6 is the top view of the frontloader; and,  
FIG. 7 is the bottom view of the frontloader.

**1 Claim, 7 Drawing Sheets**



(56)

**References Cited**

U.S. PATENT DOCUMENTS

2003/0118432	A1 *	6/2003	Lee	.....	414/722	2006/0245899	A1 *	11/2006	Lyons et al.	.....	414/686
2004/0161325	A1 *	8/2004	Yoshii et al.	.....	414/686	2007/0020078	A1 *	1/2007	Frey	.....	414/686
2004/0228717	A1 *	11/2004	Perrin et al.	.....	414/723	2007/0031233	A1 *	2/2007	Frey	.....	414/685
2006/0073003	A1 *	4/2006	Fukudome et al.	.....	414/686	2007/0217899	A1 *	9/2007	Sakada	.....	414/722
2006/0182592	A1 *	8/2006	Stender et al.	.....	414/686	2007/0243052	A1 *	10/2007	Fukudome et al.	.....	414/723
						2007/0292255	A1 *	12/2007	Nilsson	.....	414/686
						2008/0063502	A1 *	3/2008	Nilsson	.....	414/685
						2008/0193269	A1 *	8/2008	Sakada et al.	.....	414/722

\* cited by examiner

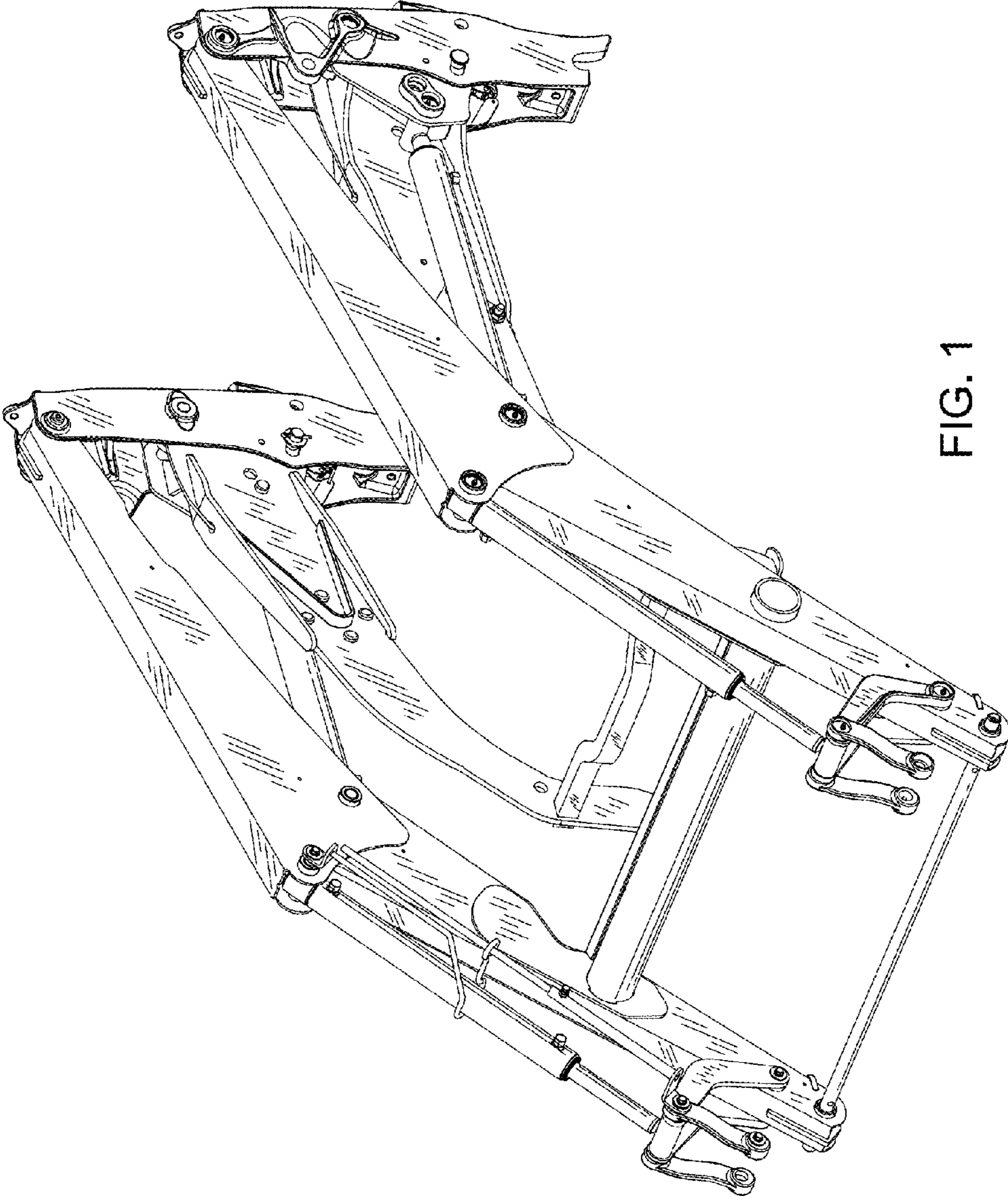


FIG. 1

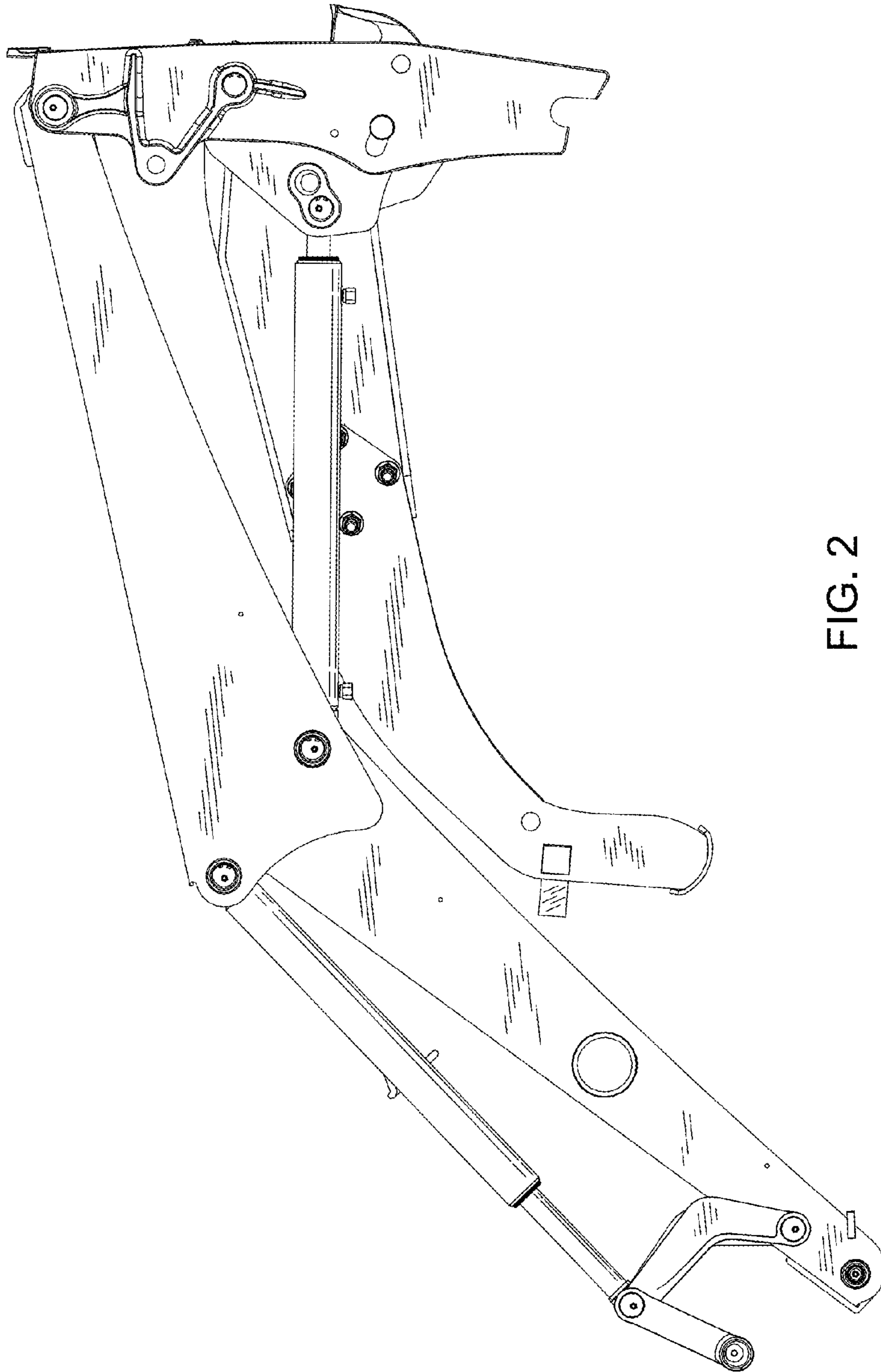


FIG. 2

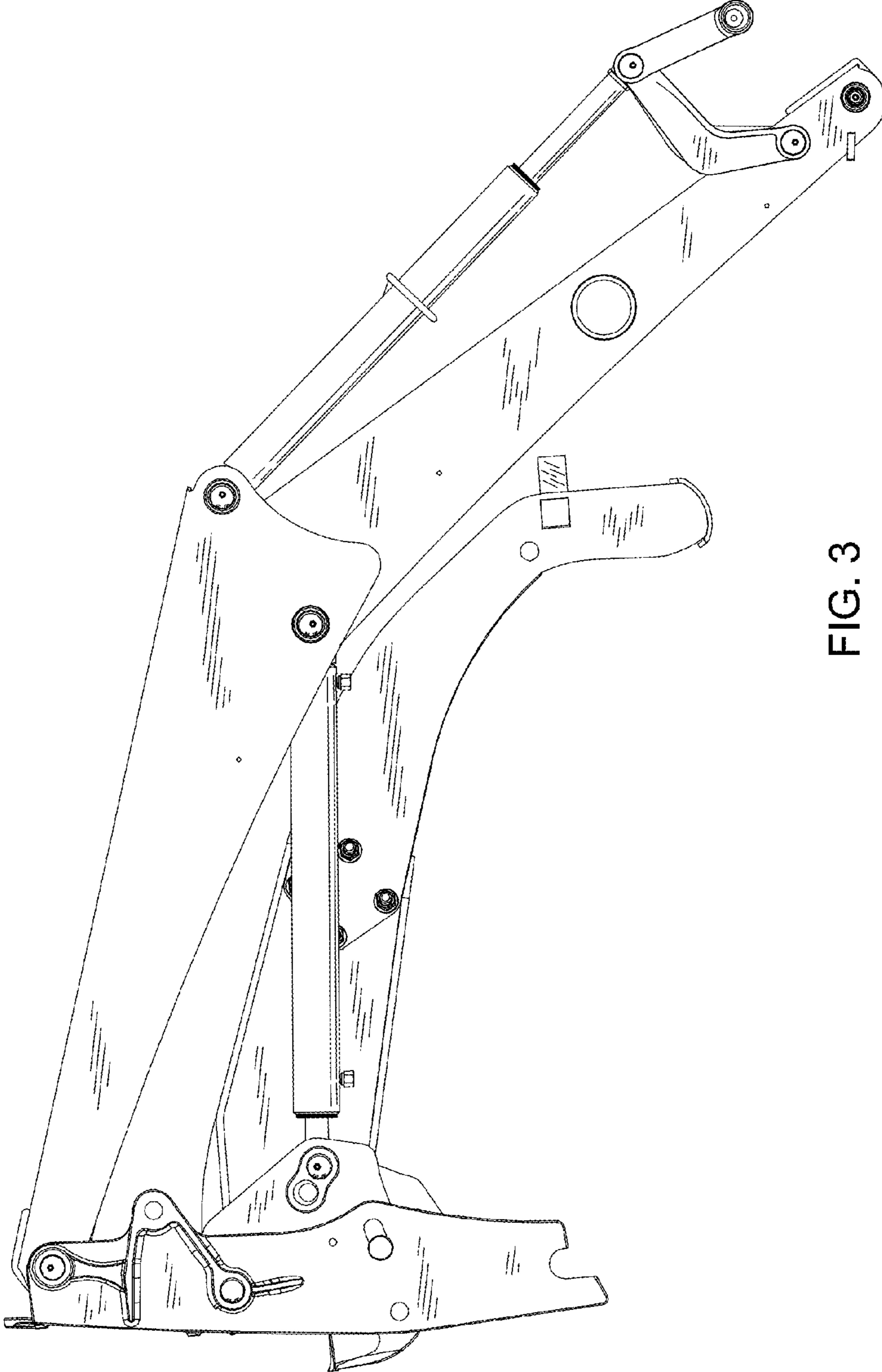


FIG. 3

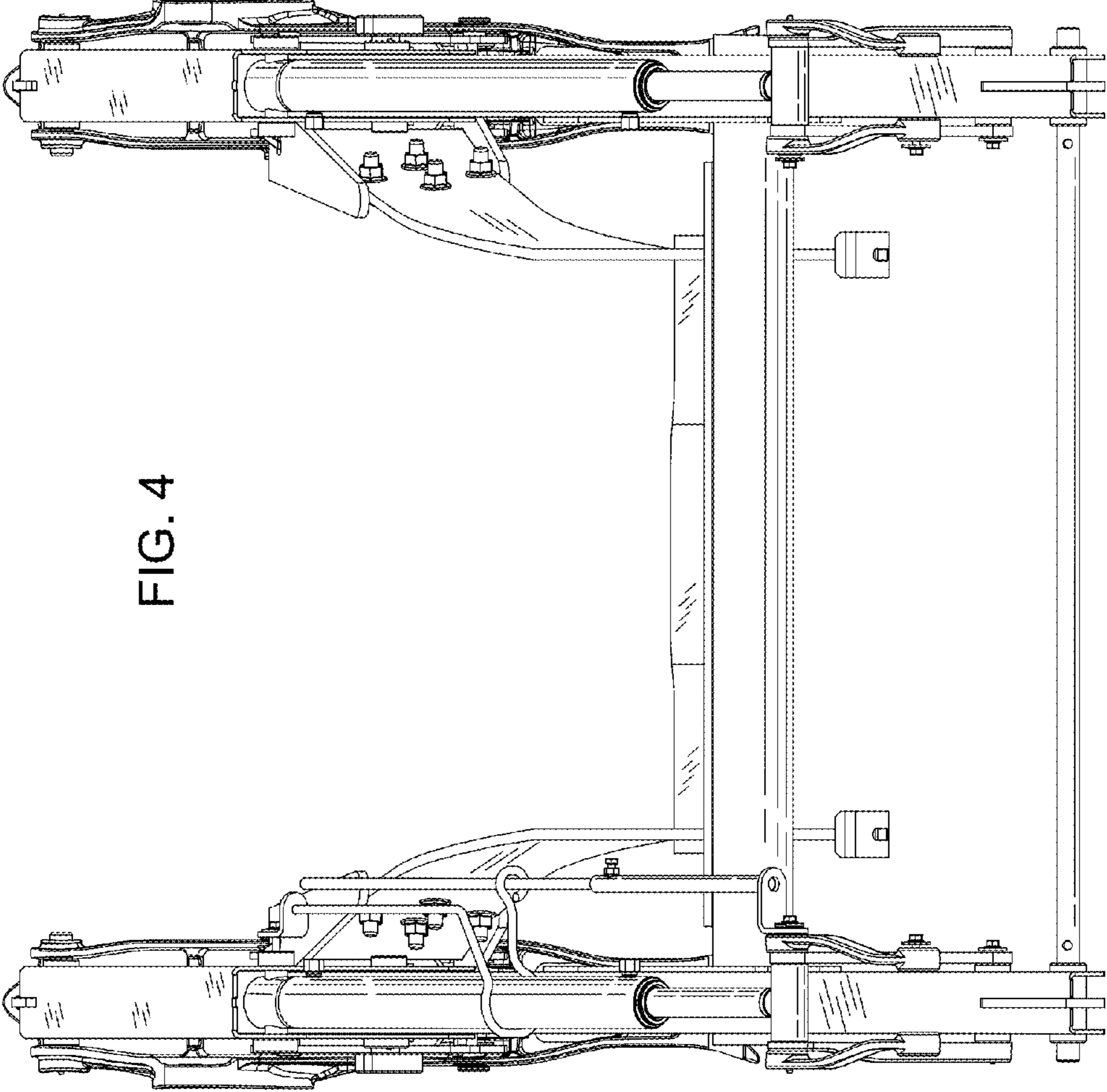


FIG. 4

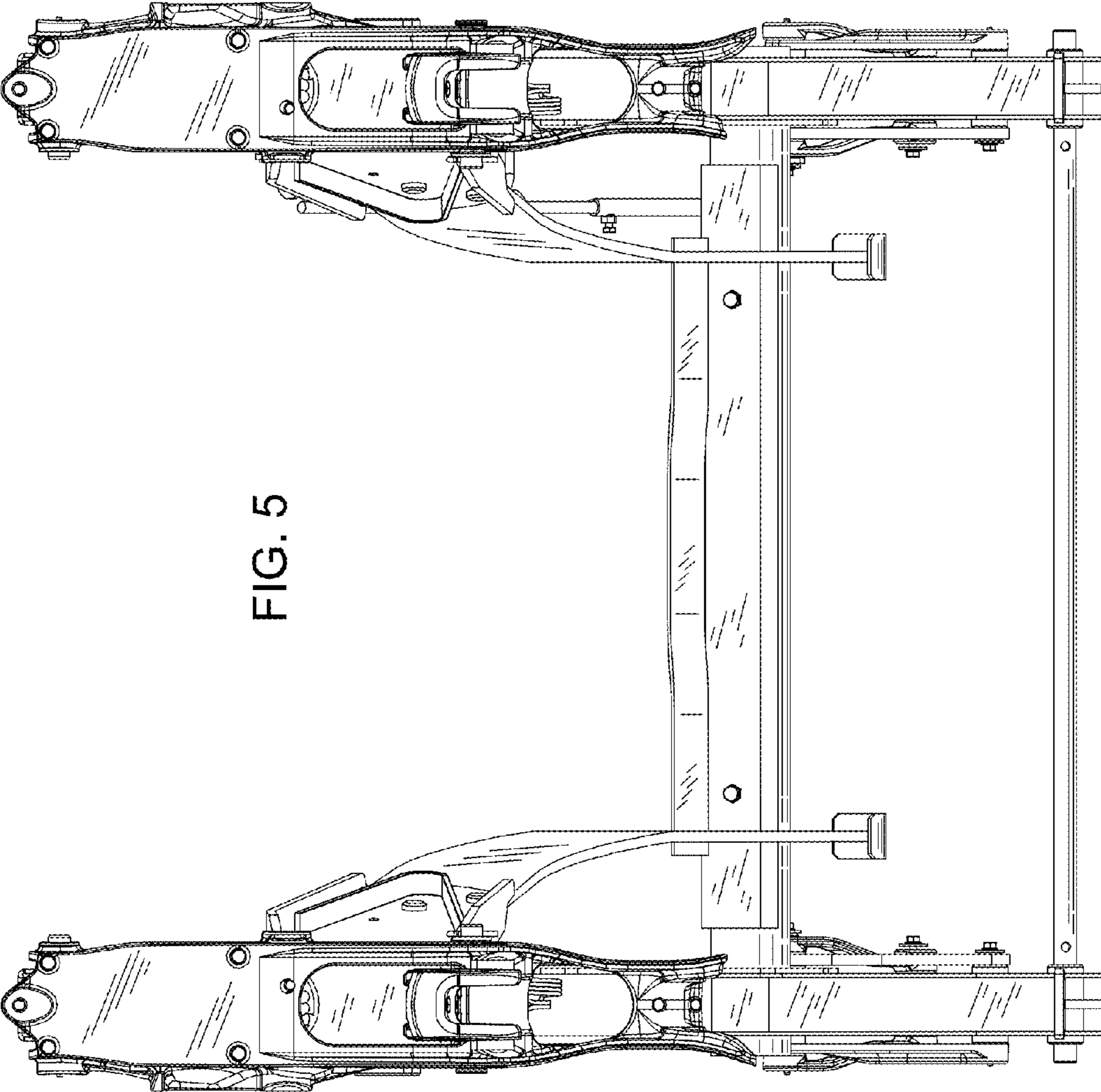


FIG. 5

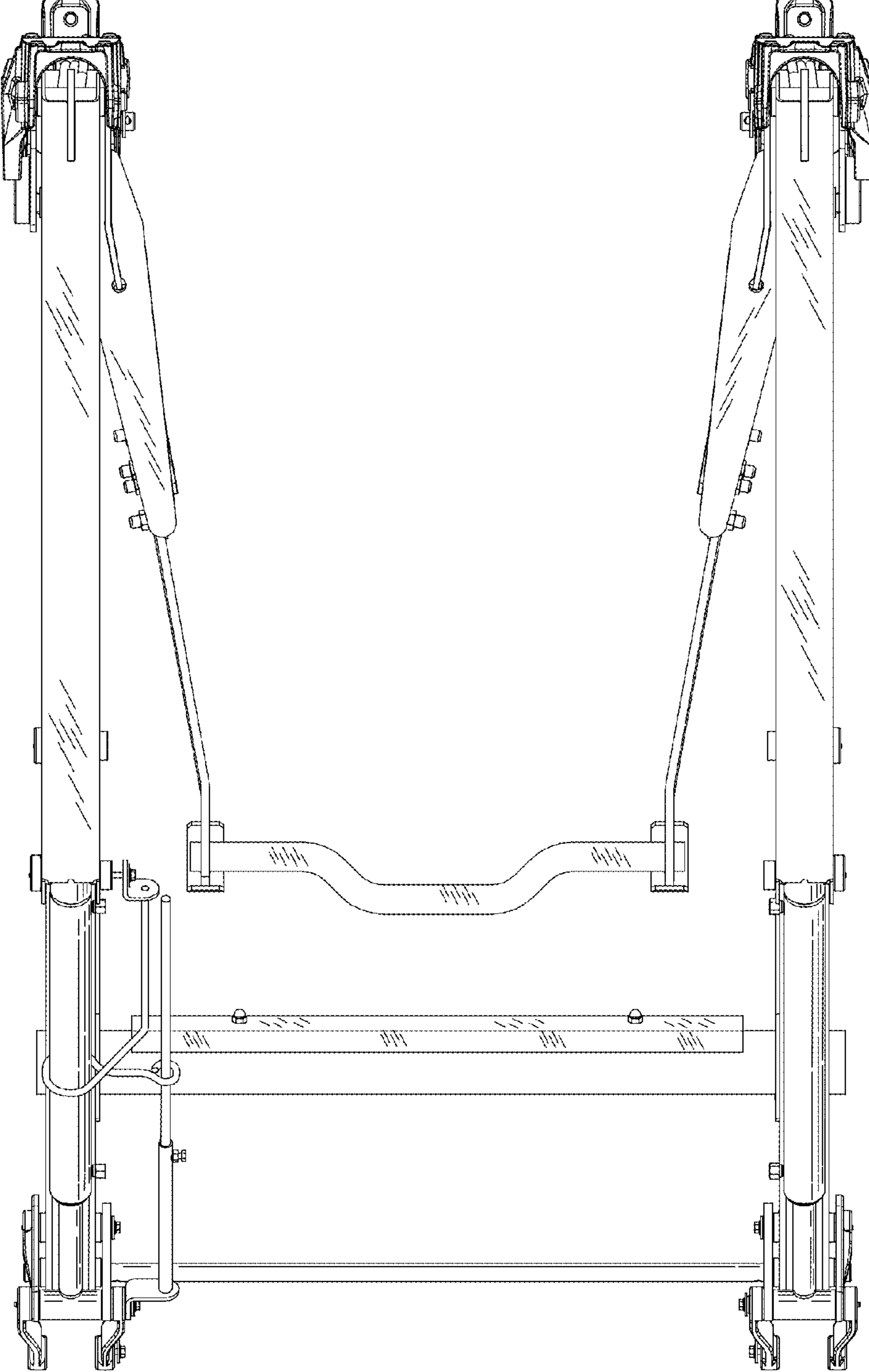


FIG. 6



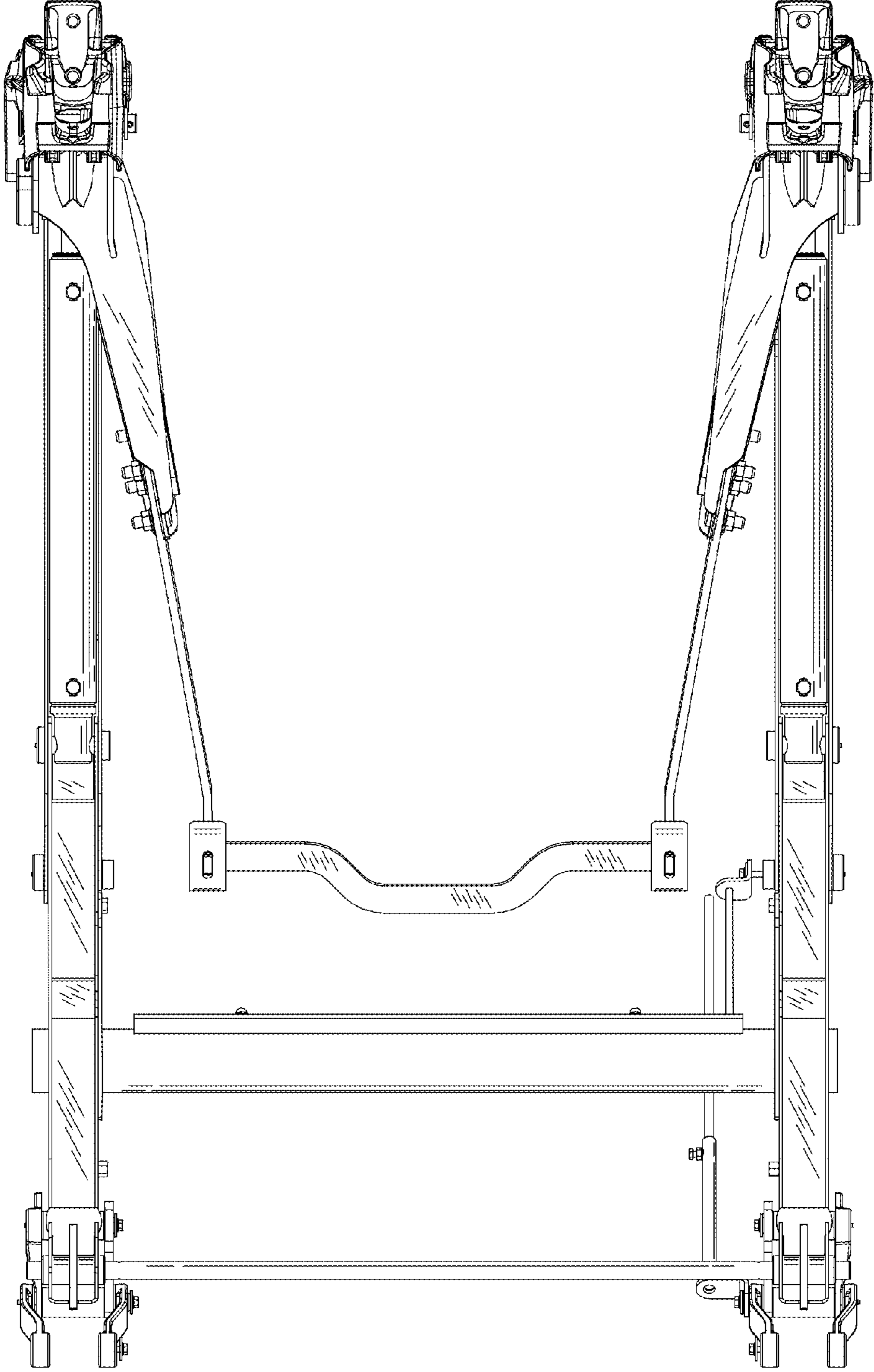


FIG. 7