



US00D768728S

(12) **United States Design Patent**
Okuyama et al.

(10) **Patent No.:** **US D768,728 S**

(45) **Date of Patent:** **** Oct. 11, 2016**

(54) **OPERATING HANDLE FOR A WORKING VEHICLE**

(71) Applicant: **YANMAR CO., LTD.**, Osaka (JP)

(72) Inventors: **Kiyoyuki Okuyama**, Yamagata (JP);
Gaku Higashiguchi, Osaka (JP)

(73) Assignee: **YANMAR Co., Ltd.**, Osaka (JP)

(**) Term: **14 Years**

(21) Appl. No.: **29/523,682**

(22) Filed: **Apr. 13, 2015**

(30) **Foreign Application Priority Data**

Oct. 15, 2014 (JP) 2014-023087

(51) **LOC (10) Cl.** **15-03**

(52) **U.S. Cl.**
USPC **D15/28**

(58) **Field of Classification Search**
USPC D15/11, 28, 21, 17, 18, 142; D34/28,
D34/34, 35; D14/412, 413, 415, 416, 428;
D12/174, 179; 74/488, 484 R;
280/43.12; 187/222, 224; 463/36-38;
244/234
CPC E02F 3/7633; E02F 3/815; E02F 3/844;
E02F 3/845; E02F 9/2004; E02F 9/26;
G05G 1/06; G05G 1/02; G05G 1/08; G05G
9/04788; G05G 9/10; G05G 13/00
See application file for complete search history.

(56) **References Cited**

U.S. PATENT DOCUMENTS

D536,153 S * 1/2007 Niebuhr D14/415
D575,924 S * 8/2008 Niebuhr D34/35
7,497,298 B2 * 3/2009 Shearer E02F 3/7663
180/333
D595,744 S * 7/2009 Umeda D15/28
D598,023 S * 8/2009 Miller D12/174
D599,829 S * 9/2009 Jorgensen D14/412

D628,216 S * 11/2010 Ulbrich D15/28
D633,111 S * 2/2011 Muraoka D15/28
D635,155 S * 3/2011 Blind D15/28
D640,258 S * 6/2011 Hobenshield D14/412
D645,046 S * 9/2011 Hobenshield D14/412
D656,073 S * 3/2012 Foerster D12/179

(Continued)

Primary Examiner — Mark Goodwin

(74) *Attorney, Agent, or Firm* — Norris McLaughlin & Marcus, P.A.

(57) **CLAIM**

The ornamental design for an operating handle for a working vehicle.

DESCRIPTION

FIG. 1 is a front side elevational view of an operating handle for a working vehicle showing one embodiment of our new design;

FIG. 2 is a rear elevational view thereof;

FIG. 3 is a top plan view thereof;

FIG. 4 is a bottom plan view thereof;

FIG. 5 is a right side elevational view thereof;

FIG. 6 is a left side elevational view thereof;

FIG. 7 is a front side perspective view thereof;

FIG. 8 is a rear side perspective view thereof;

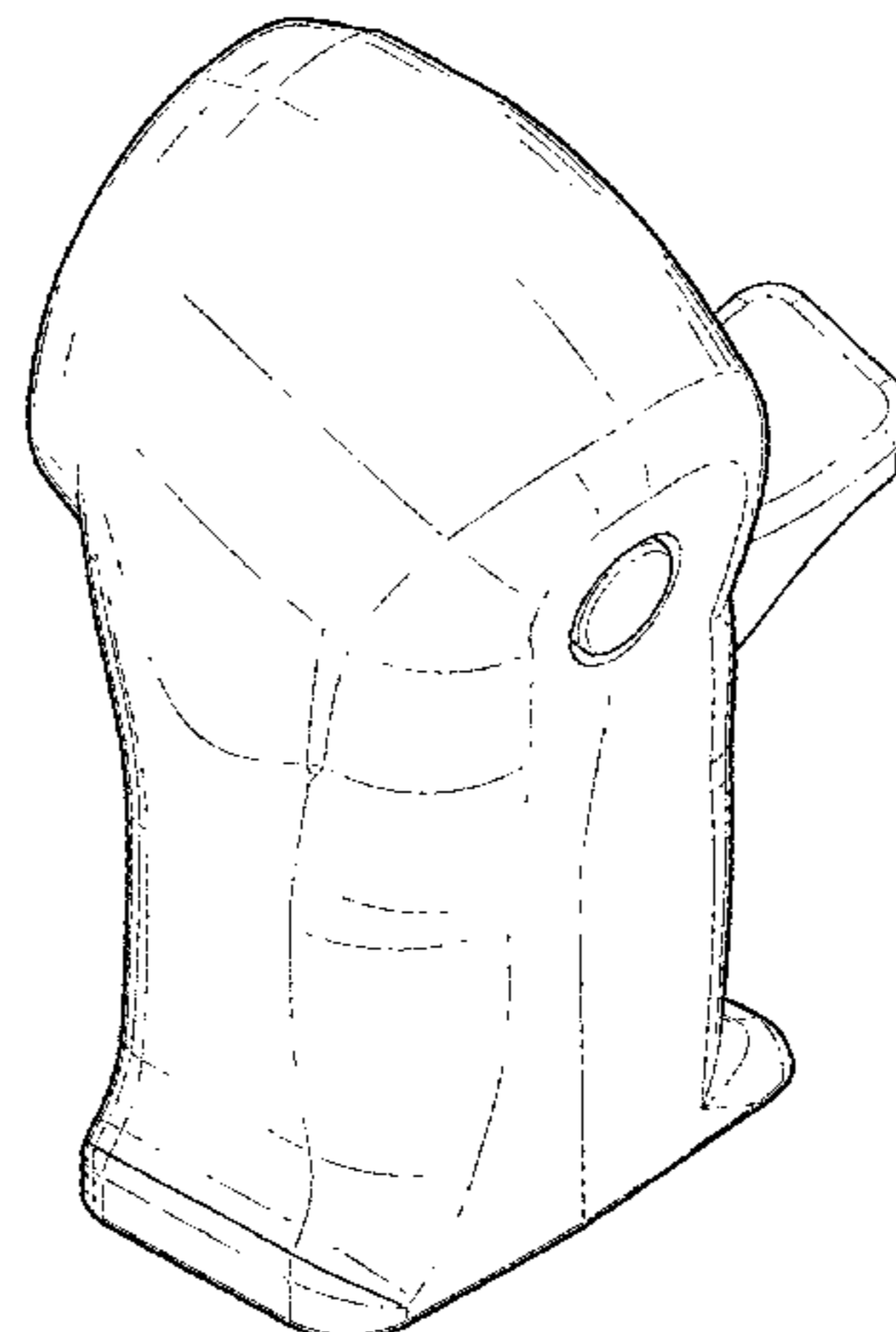
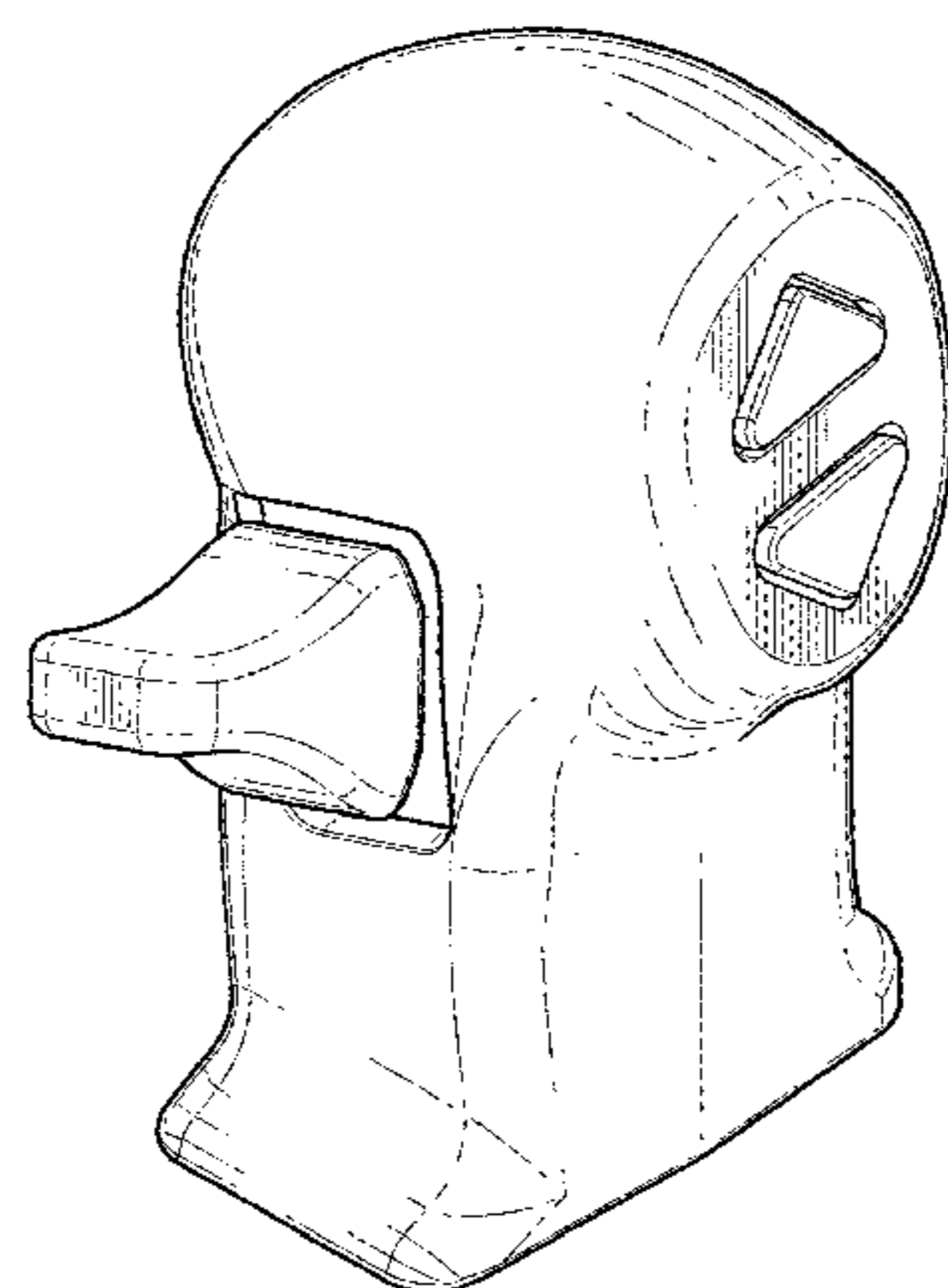
FIG. 9 is a perspective view thereof showing use of our new design; and,

FIG. 10 is another perspective view thereof showing use of our new design.

The broken line showing of the bottom section in FIG. 4 is included for the purpose of illustrating a portion of the operating handle for a working machine and forms no part of the claimed design. The broken line showing of an armrest in FIG. 9 and interior of a working vehicle in FIG. 10 is included for the purpose of showing environmental structure only and forms no part of the claimed design.

The article according to the present design application is an operating handle which is provided at an operator's seat of a working vehicle such as a tractor.

1 Claim, 6 Drawing Sheets



(56)

References Cited

U.S. PATENT DOCUMENTS

D671,565 S * 11/2012 Kinoshita D15/28
D686,622 S * 7/2013 Rey D14/412
D695,792 S * 12/2013 Jensen D15/28
D704,189 S * 5/2014 Rey D14/412
D709,102 S * 7/2014 Tokuda D15/28

D725,681 S * 3/2015 Bonneau D15/28
D728,634 S * 5/2015 Alpsten D15/28
D737,336 S * 8/2015 Ewringmann D15/28
D744,544 S * 12/2015 Wuisan D15/28
D747,721 S * 1/2016 Gentle D12/179
D749,647 S * 2/2016 Inaoka D15/28
D752,658 S * 3/2016 Ewringmann D15/28
D753,118 S * 4/2016 French D12/179

* cited by examiner

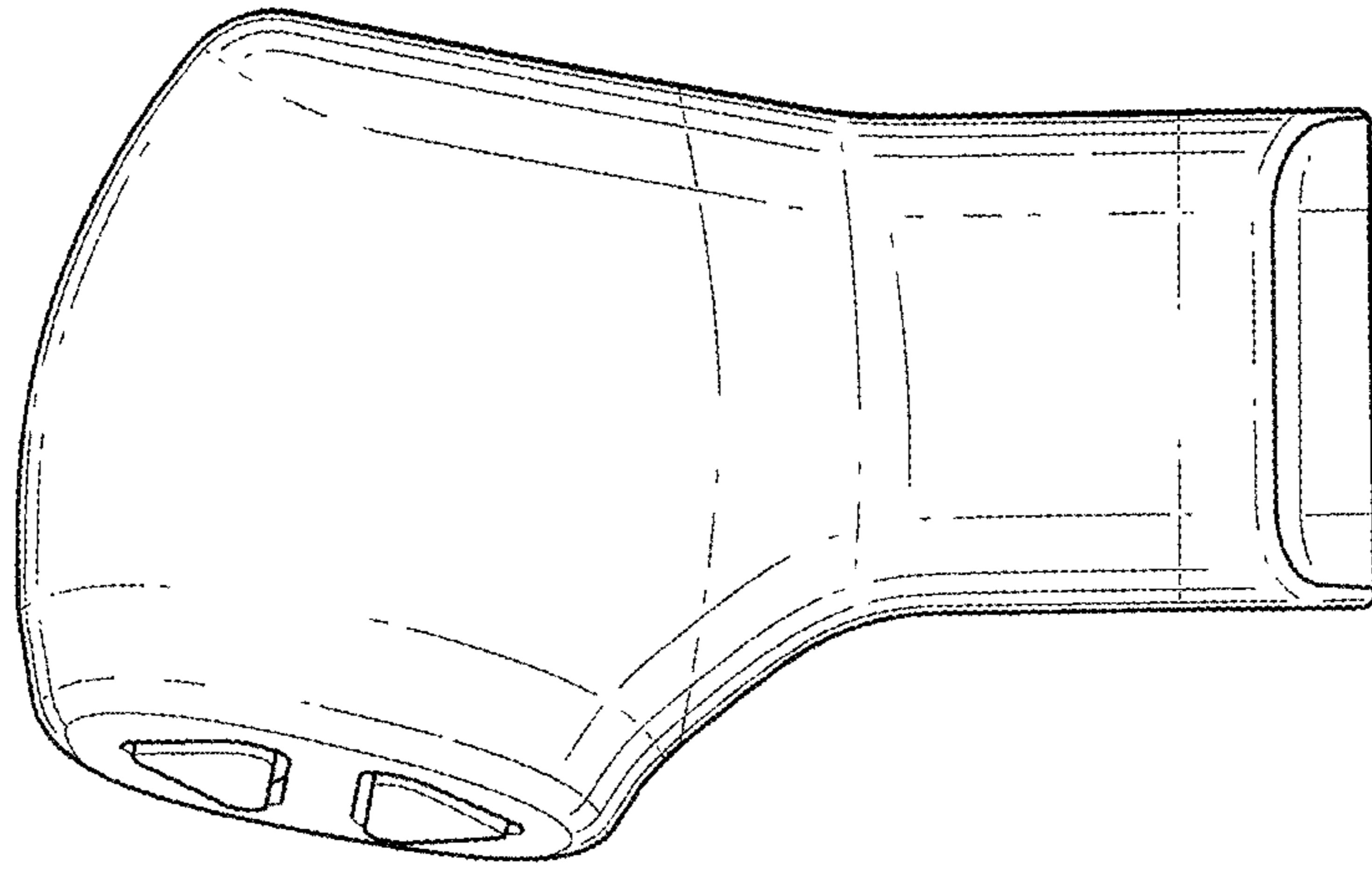


FIG. 2

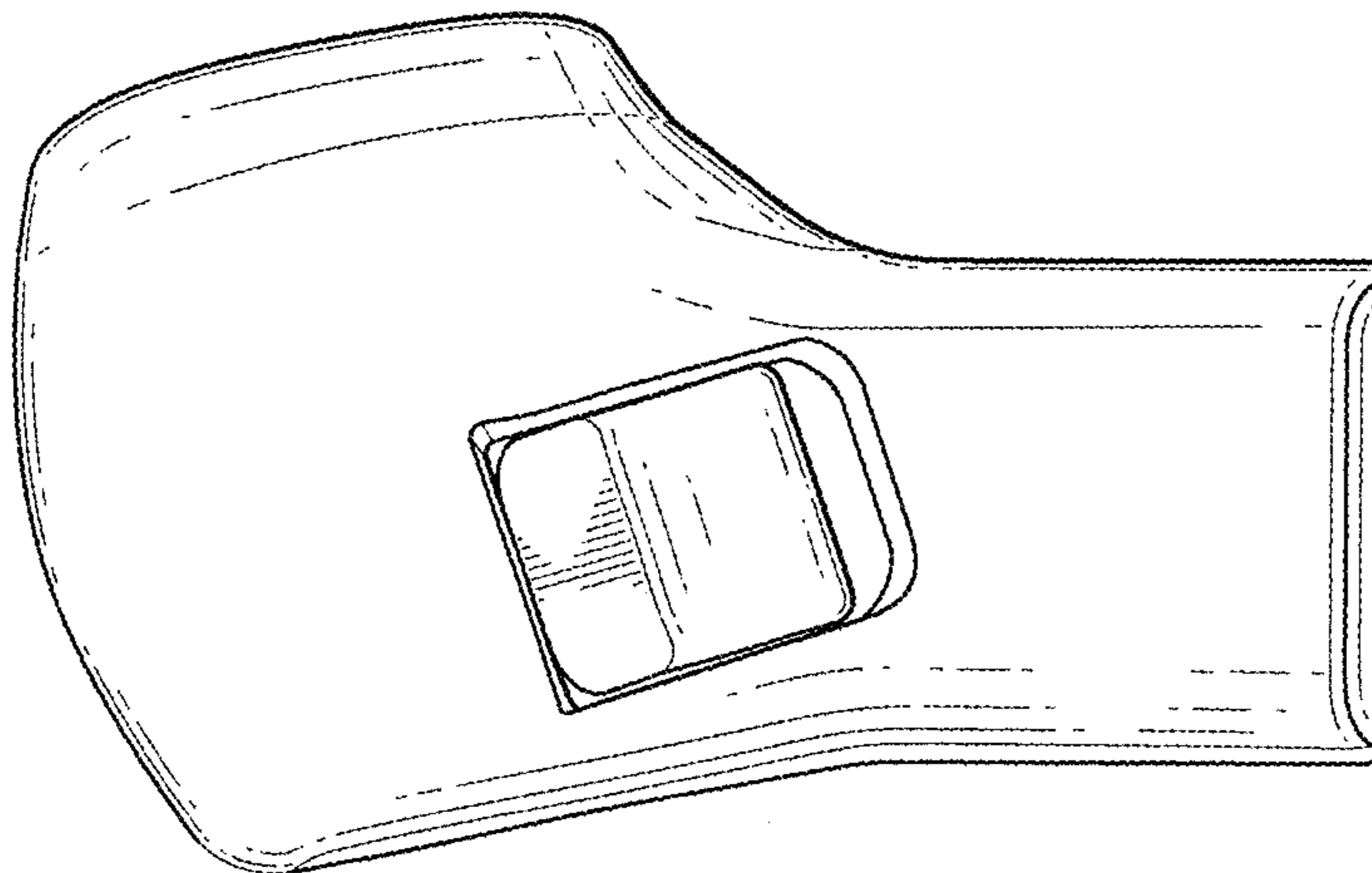


FIG. 1

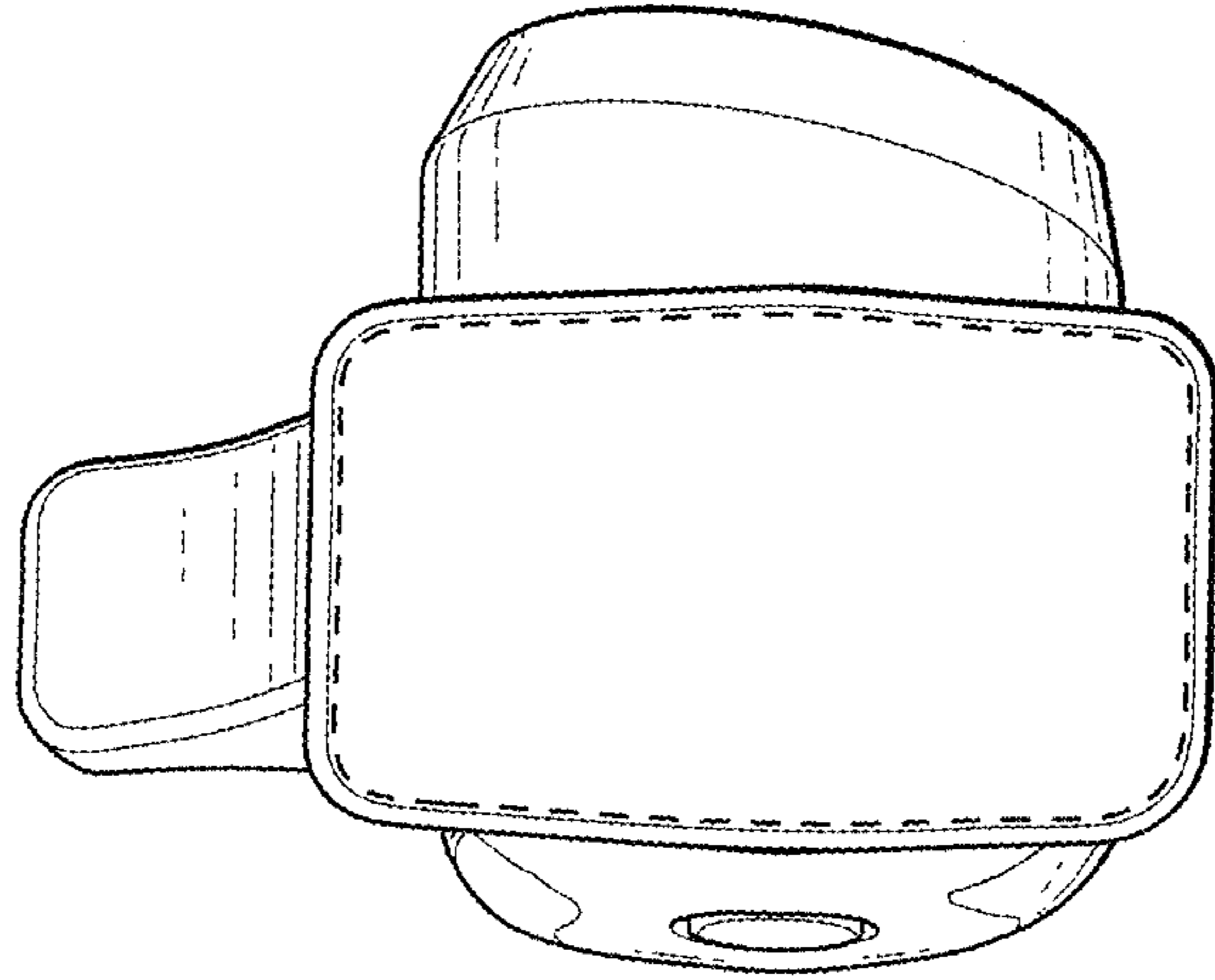


FIG. 4

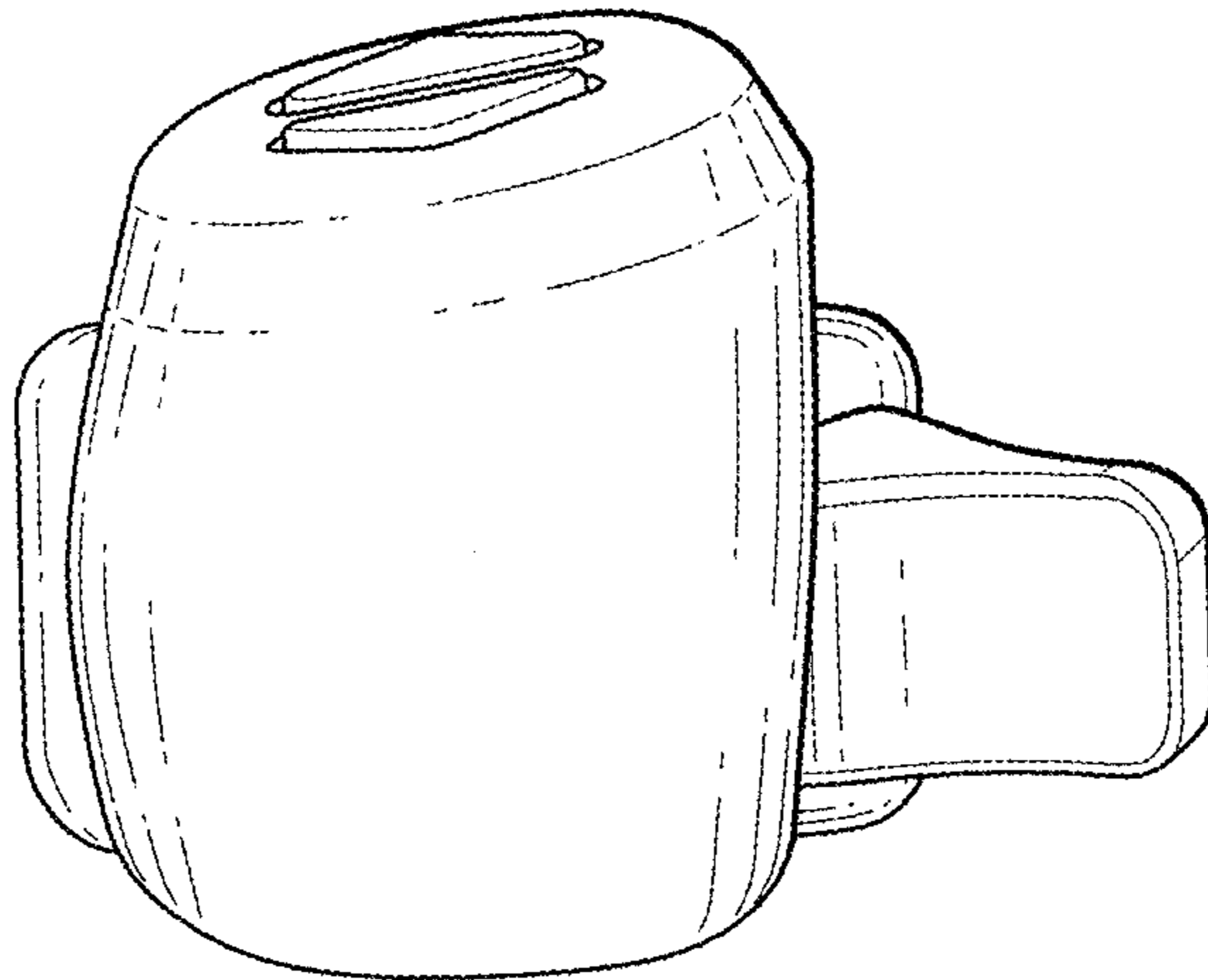


FIG. 3

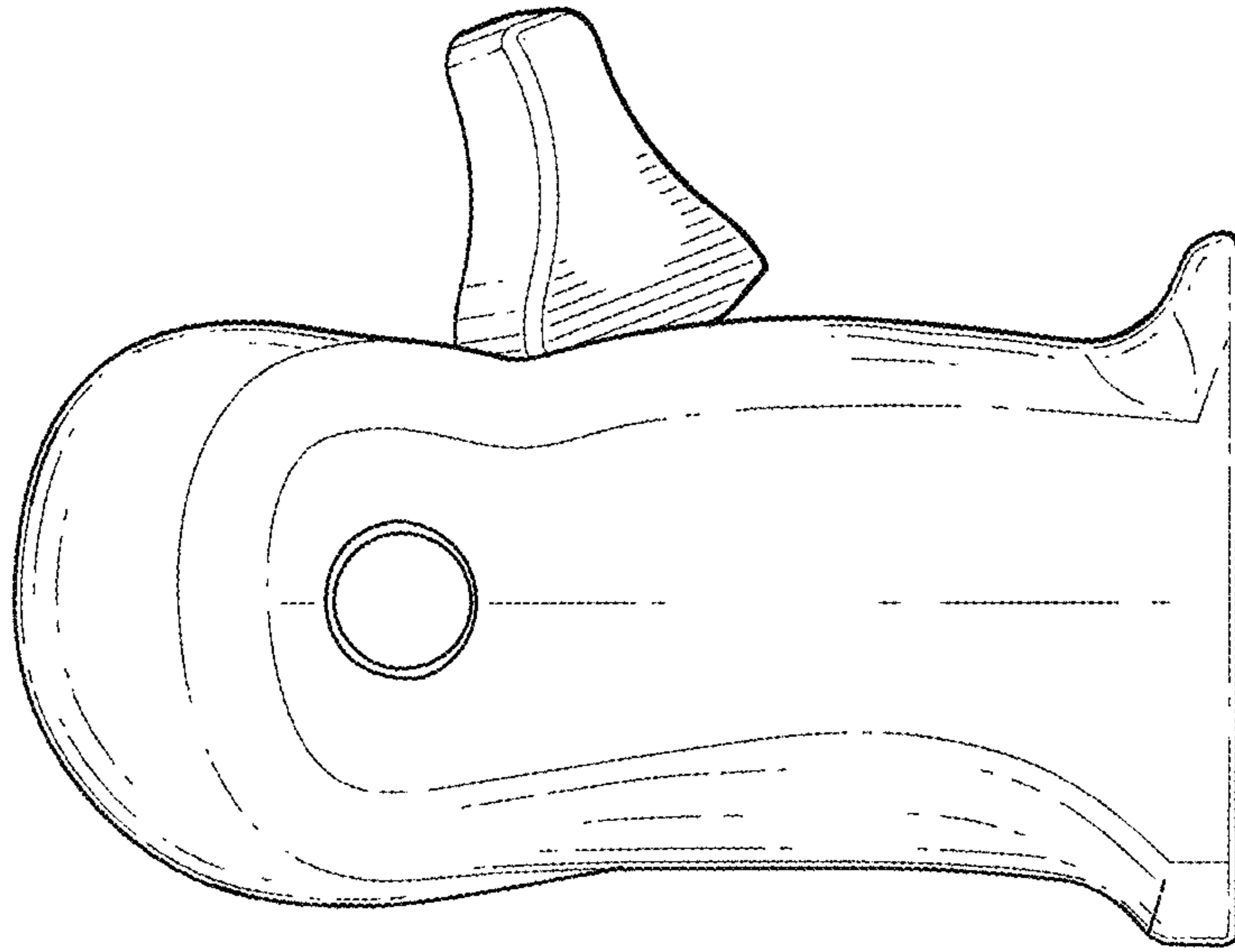


FIG. 6

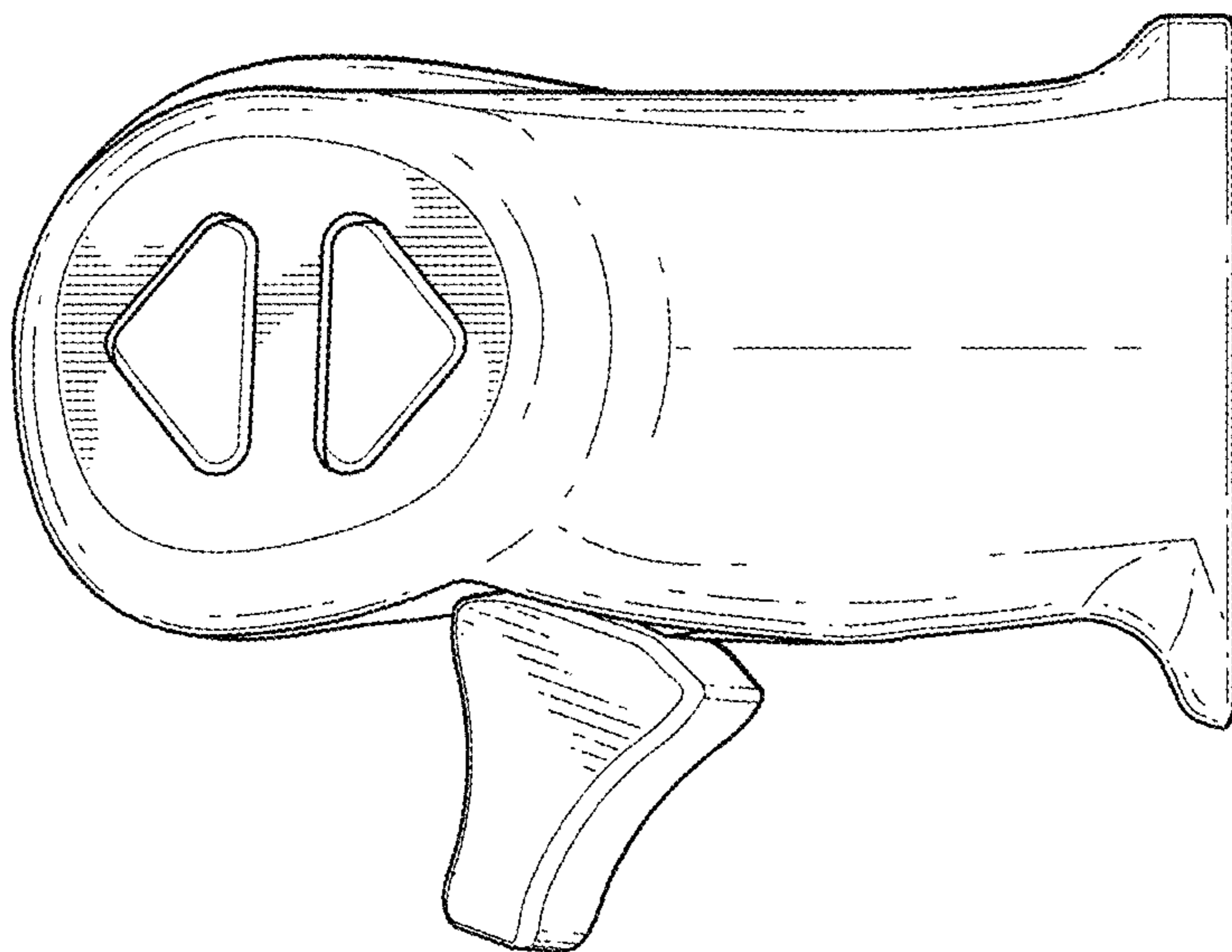


FIG. 5

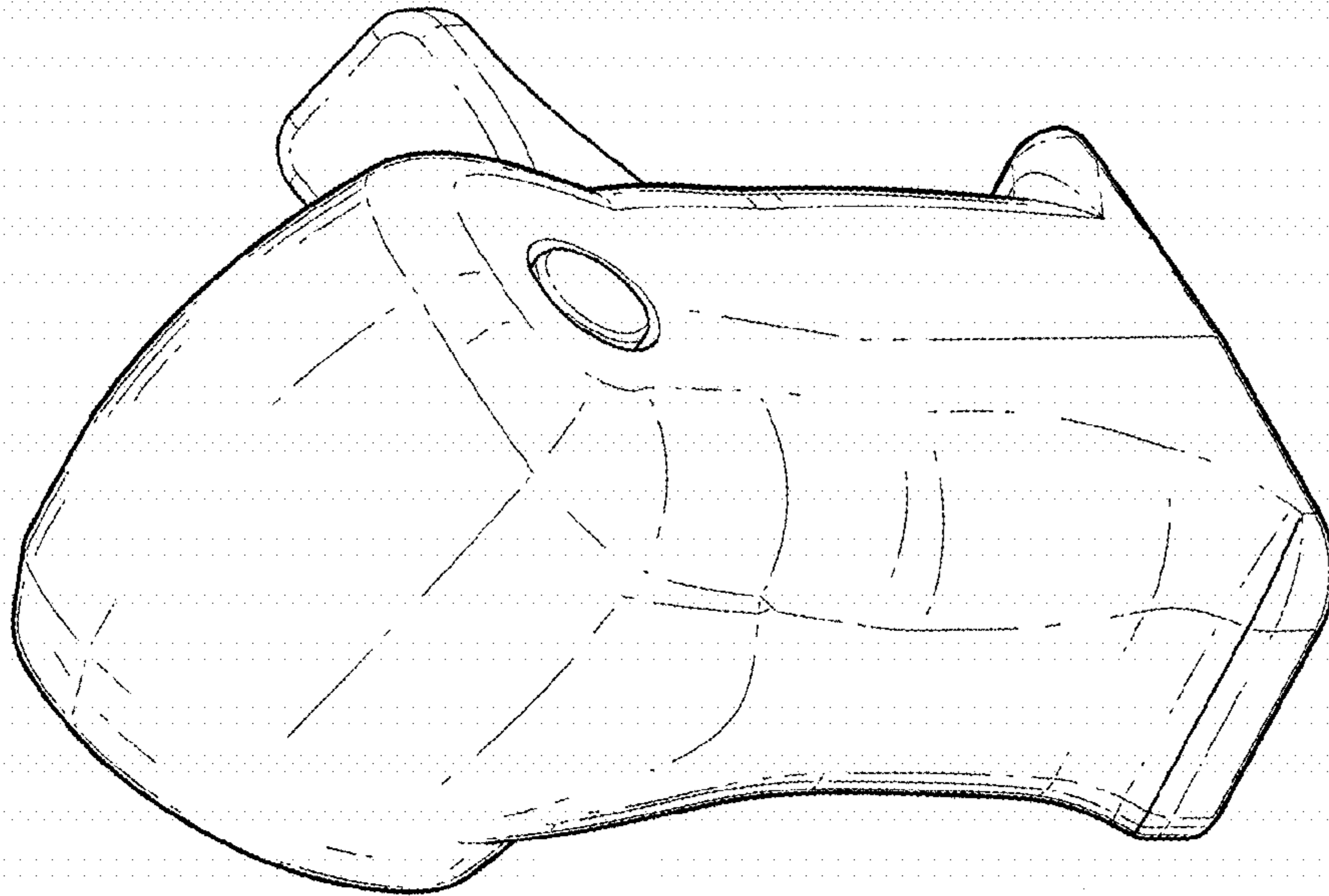


FIG. 8

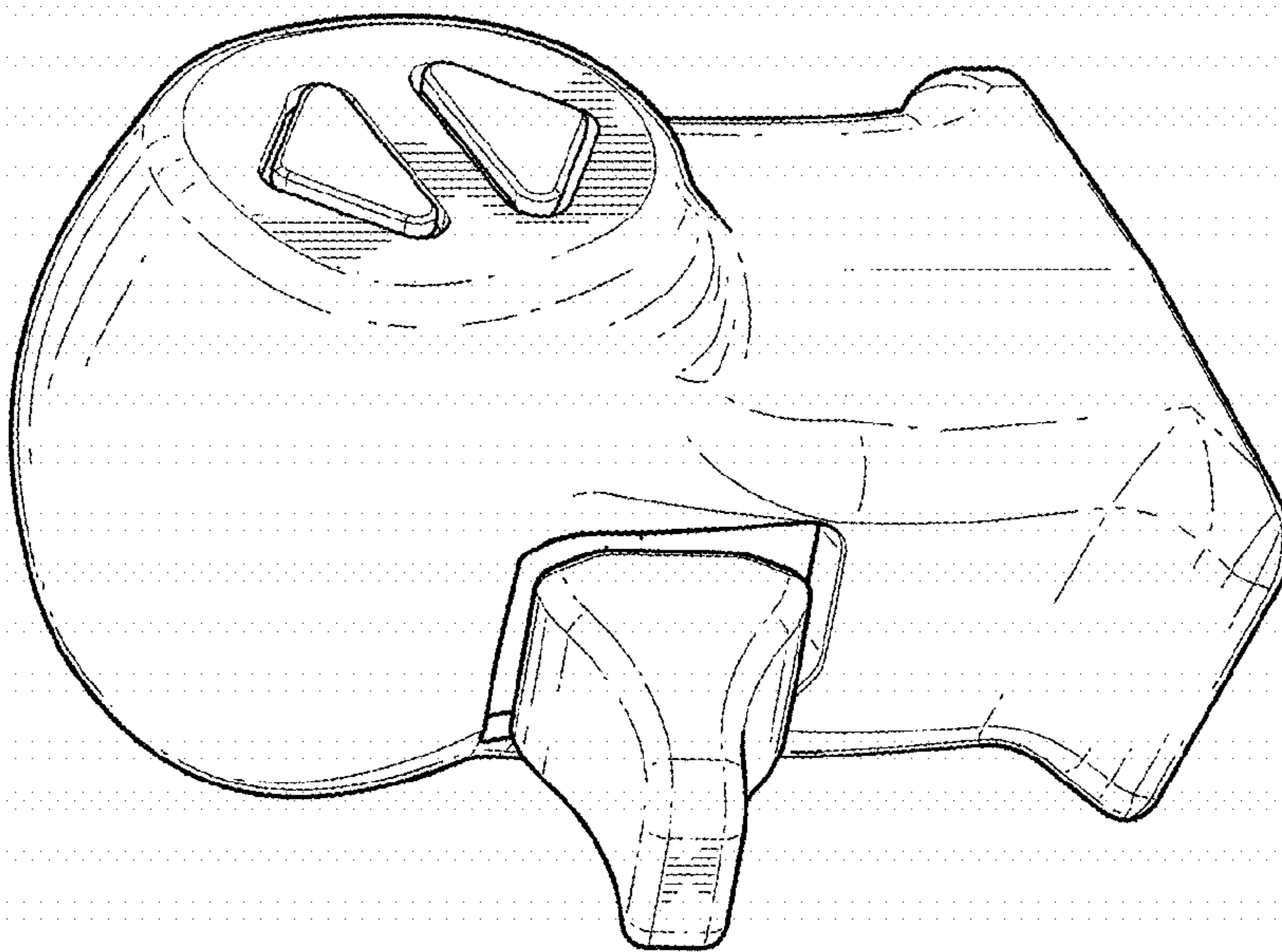


FIG. 7

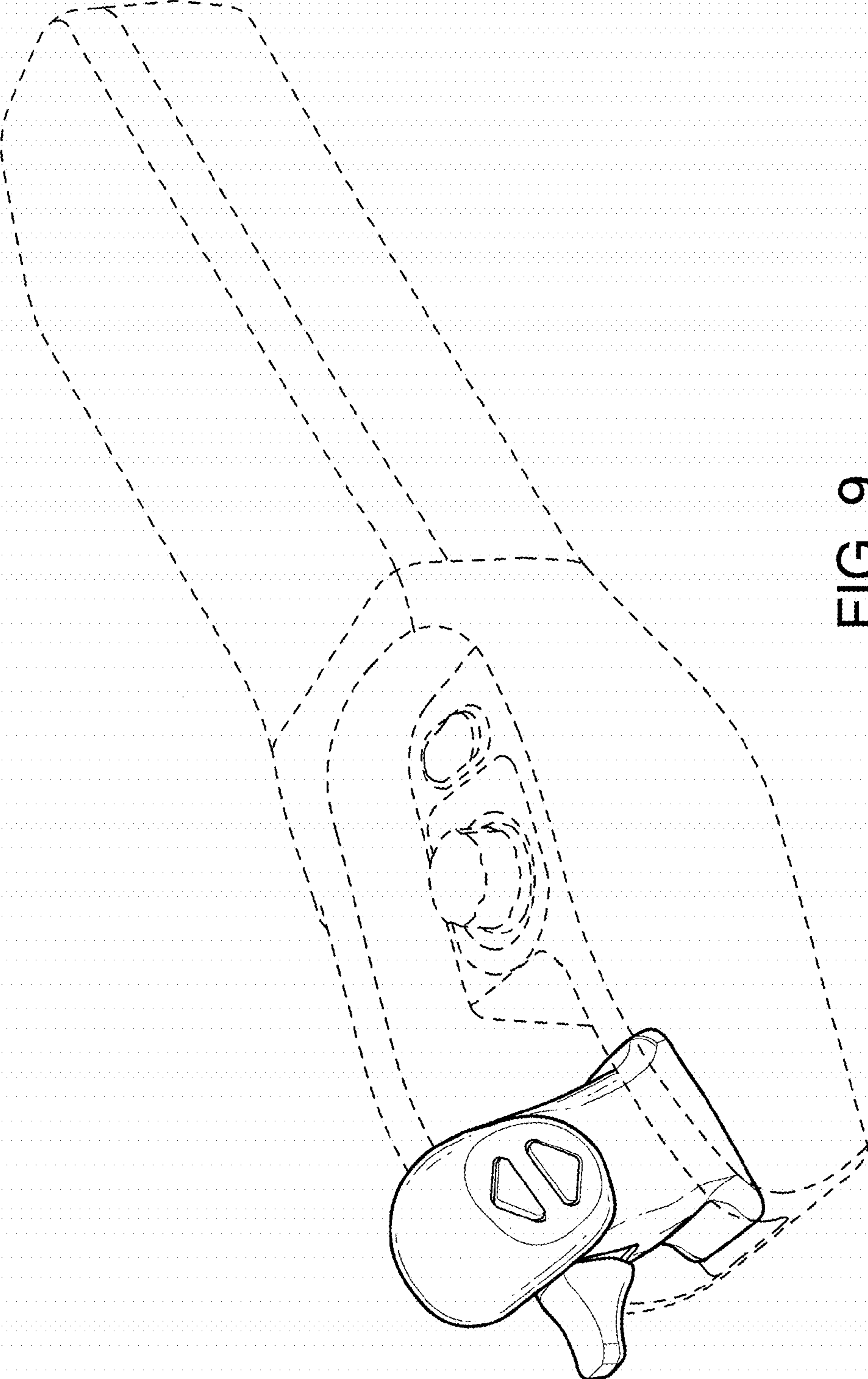


FIG. 9

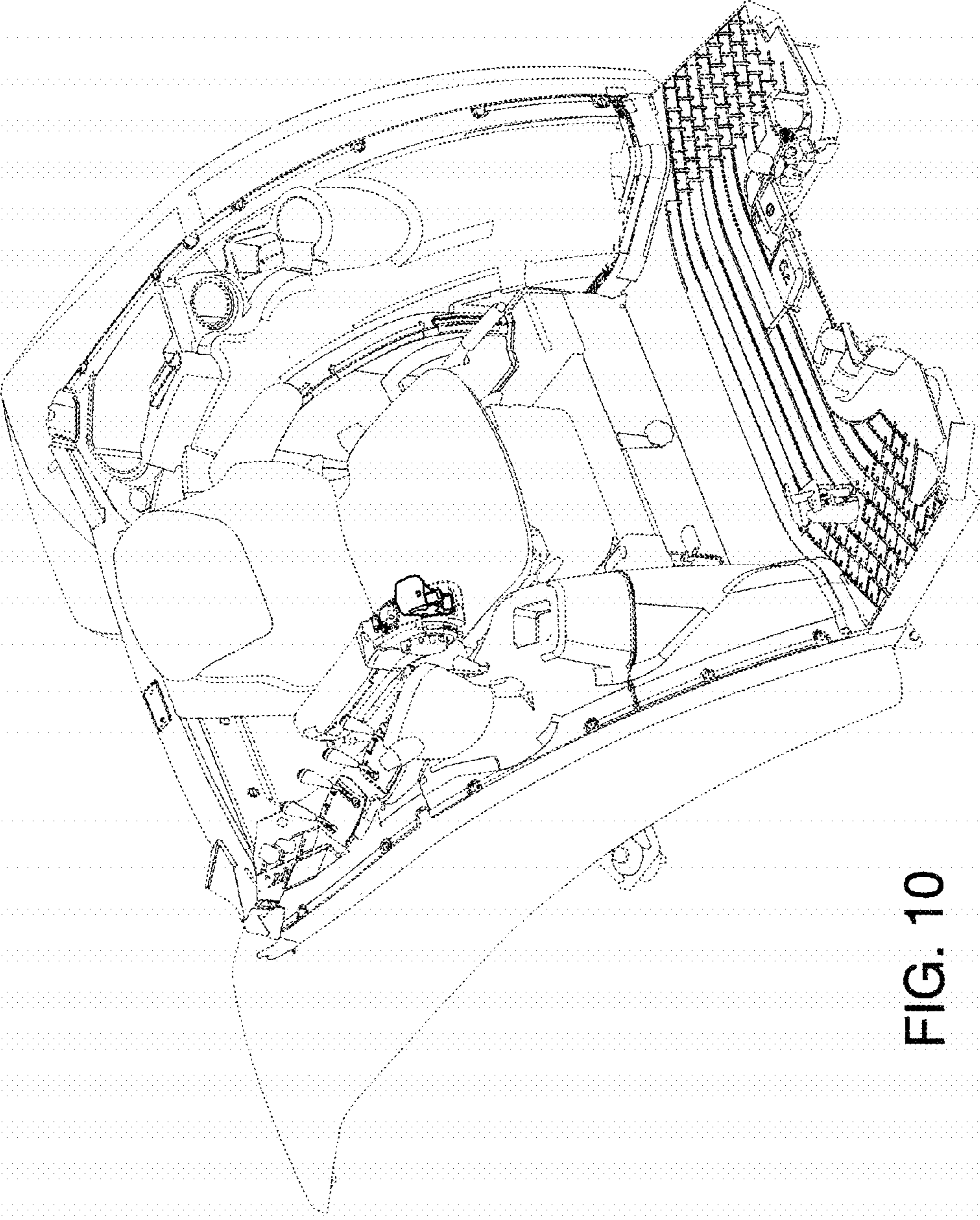


FIG. 10