



US00D768725S

(12) **United States Design Patent**
Anderson et al.

(10) **Patent No.:** **US D768,725 S**

(45) **Date of Patent:** **** Oct. 11, 2016**

(54) **ANGLED PUMP**

D584,320 S * 1/2009 Huang D15/7
D727,971 S * 4/2015 Anderson D15/7
D759,201 S * 6/2016 Wu D15/7

(71) Applicants: **Mark L. Anderson**, Spring Valley, WI
(US); **Jim Wait**, Spring Valley, WI
(US)

* cited by examiner

(72) Inventors: **Mark L. Anderson**, Spring Valley, WI
(US); **Jim Wait**, Spring Valley, WI
(US)

Primary Examiner — Ralf Seifert

(74) *Attorney, Agent, or Firm* — Skinner and Associates;
Joel Skinner

(73) Assignee: **Mark L. Anderson**, Spring Valley, WI
(US)

(57) **CLAIM**

The ornamental design for an angled pump, as shown and described.

(**) Term: **15 Years**

DESCRIPTION

(21) Appl. No.: **29/531,053**

FIG. 1 is a perspective view of an angled pump showing an embodiment of the design of the invention. The broken lines shown in this Figure are for illustrative purposes only and form no part of the claimed design.

(22) Filed: **Jun. 23, 2015**

FIG. 2 is a right side view thereof. The broken lines shown in this Figure are for illustrative purposes only and form no part of the claimed design.

(51) **LOC (10) Cl.** **15-02**

(52) **U.S. Cl.**
USPC **D15/7**

FIG. 3 is a front view thereof. The broken lines shown in this Figure are for illustrative purposes only and form no part of the claimed design.

(58) **Field of Classification Search**
USPC D15/7-9; D23/231, 232, 233, 213, 223;
417/410.1, 359, 415-416, 234, 321,
417/265, 405

CPC F04B 9/14; F21V 33/00
See application file for complete search history.

FIG. 4 is a top view thereof. The broken lines shown in this Figure are for illustrative purposes only and form no part of the claimed design.

FIG. 5 is a left side view thereof. The broken lines shown in this Figure are for illustrative purposes only and form no part of the claimed design.

(56) **References Cited**

U.S. PATENT DOCUMENTS

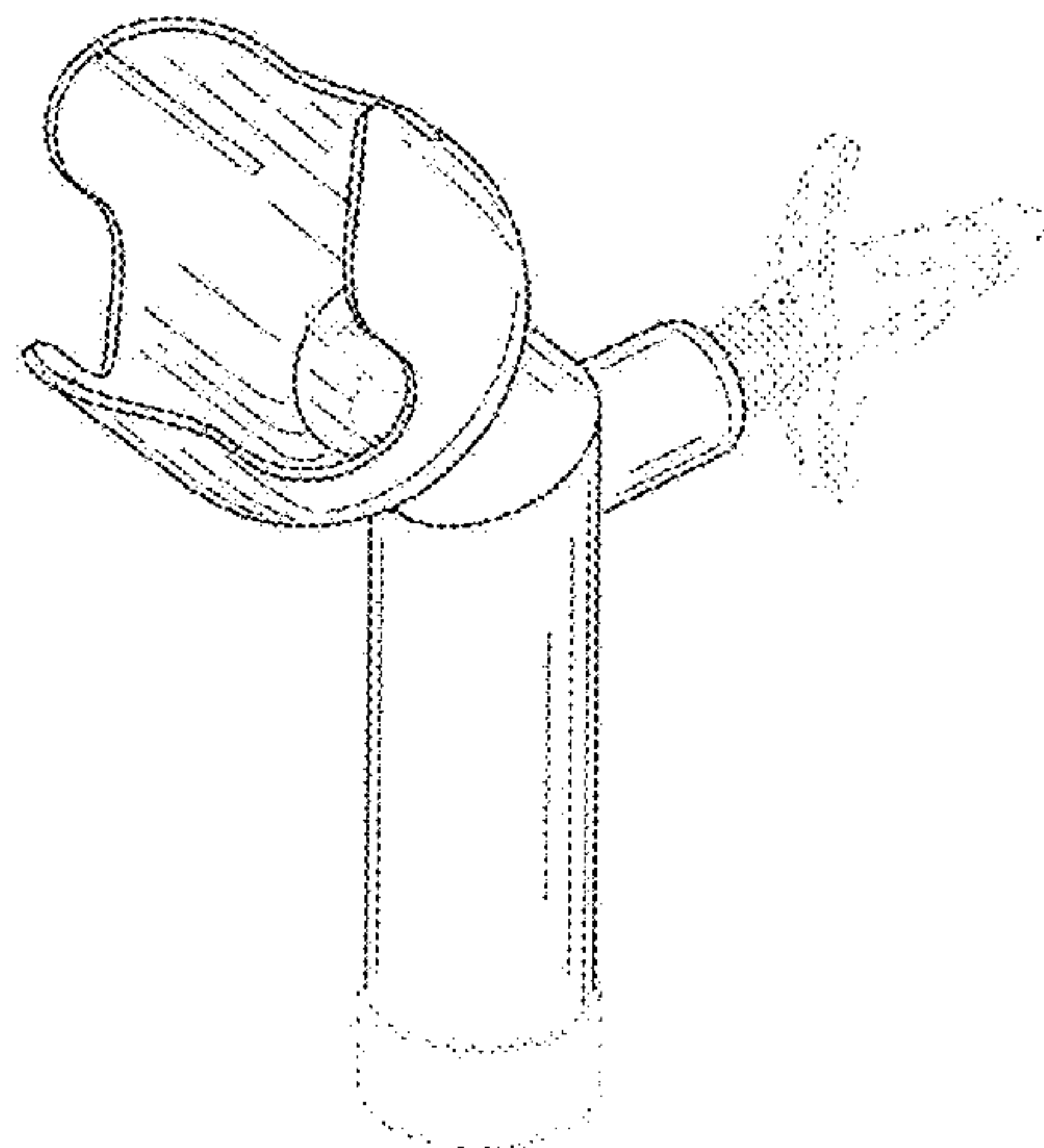
3,473,479 A * 10/1969 Sundholm F04B 9/14
222/382
D256,945 S * 9/1980 Willis D23/232
D324,868 S * 3/1992 Jacobs D15/7
D343,443 S * 1/1994 Gadberry D23/200
5,333,639 A * 8/1994 Nelson F21V 33/00
137/150
D379,402 S * 5/1997 Paul D23/232
D389,226 S * 1/1998 Wellstein D15/130
D506,210 S * 6/2005 Selic D15/7

FIG. 6 is a back view thereof. The broken lines shown in this Figure are for illustrative purposes only and form no part of the claimed design; and,

FIG. 7 is a bottom view thereof. The broken lines shown in this Figure are for illustrative purposes only and form no part of the claimed design.

The design is for an angled pump which is used to deliver liquid products (such as medicaments) by injection, oral, intranasal, or topical administration to animals such as livestock. The angled pump is connectable to a bottle containing such liquids.

1 Claim, 7 Drawing Sheets



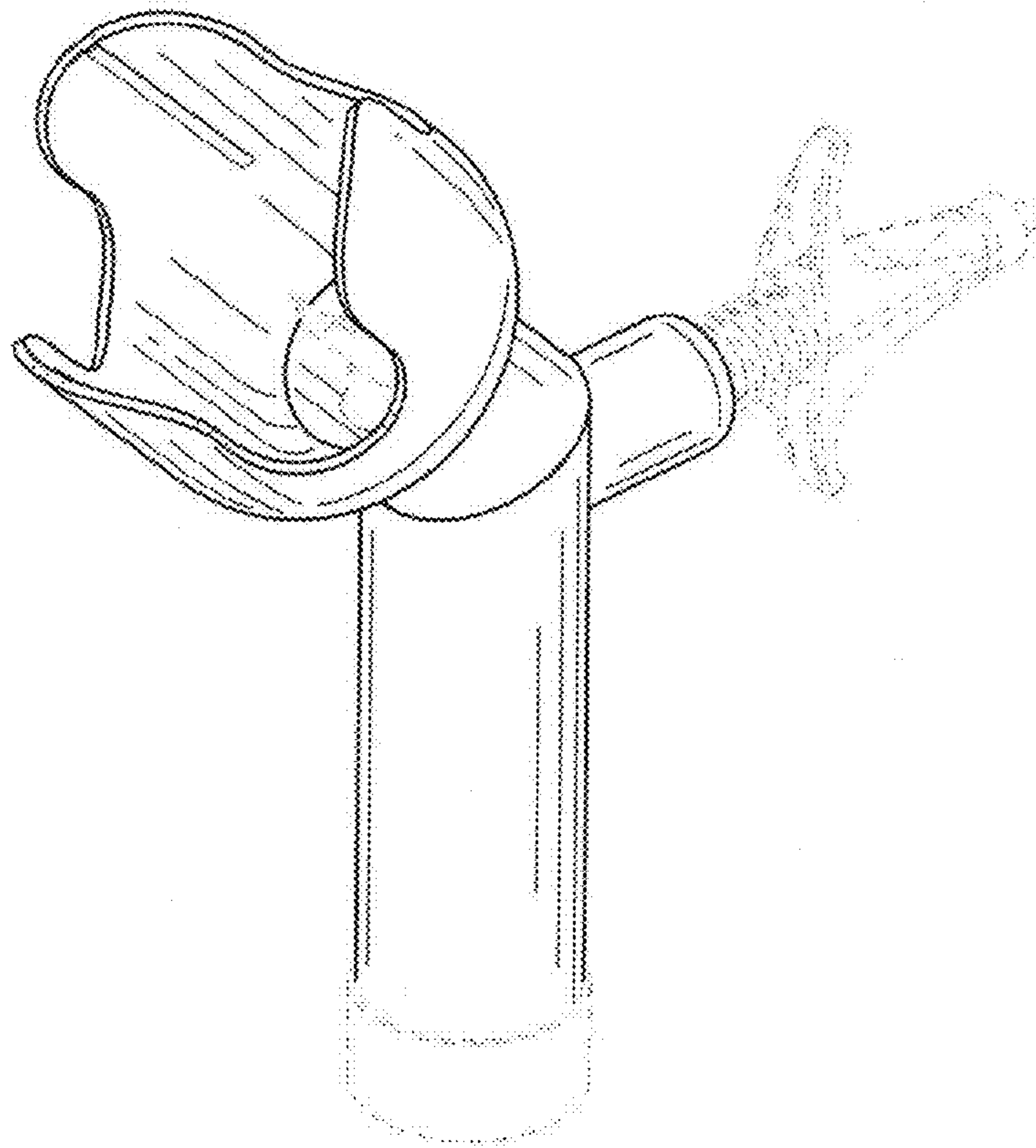


FIG. 1

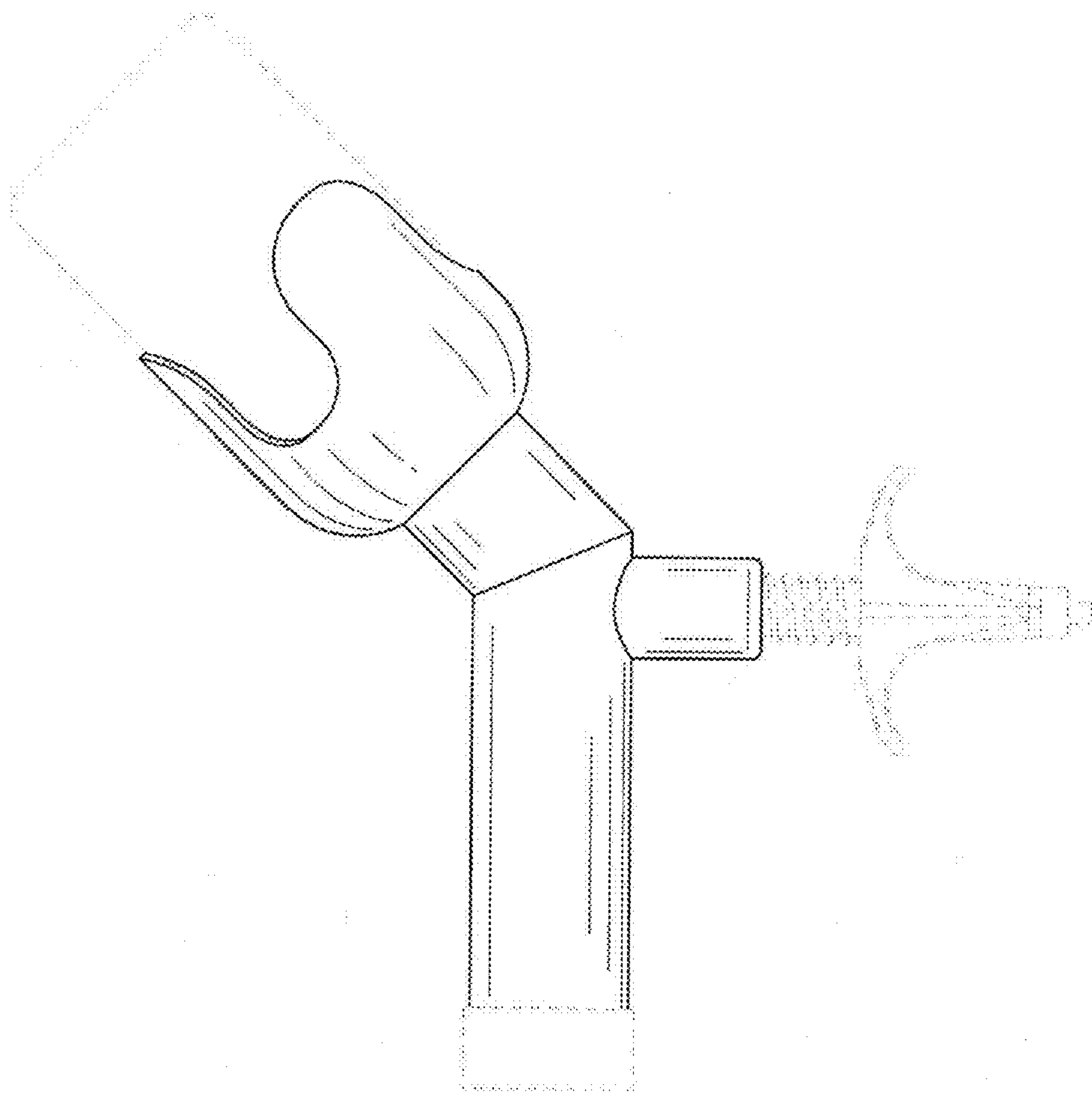


FIG. 2

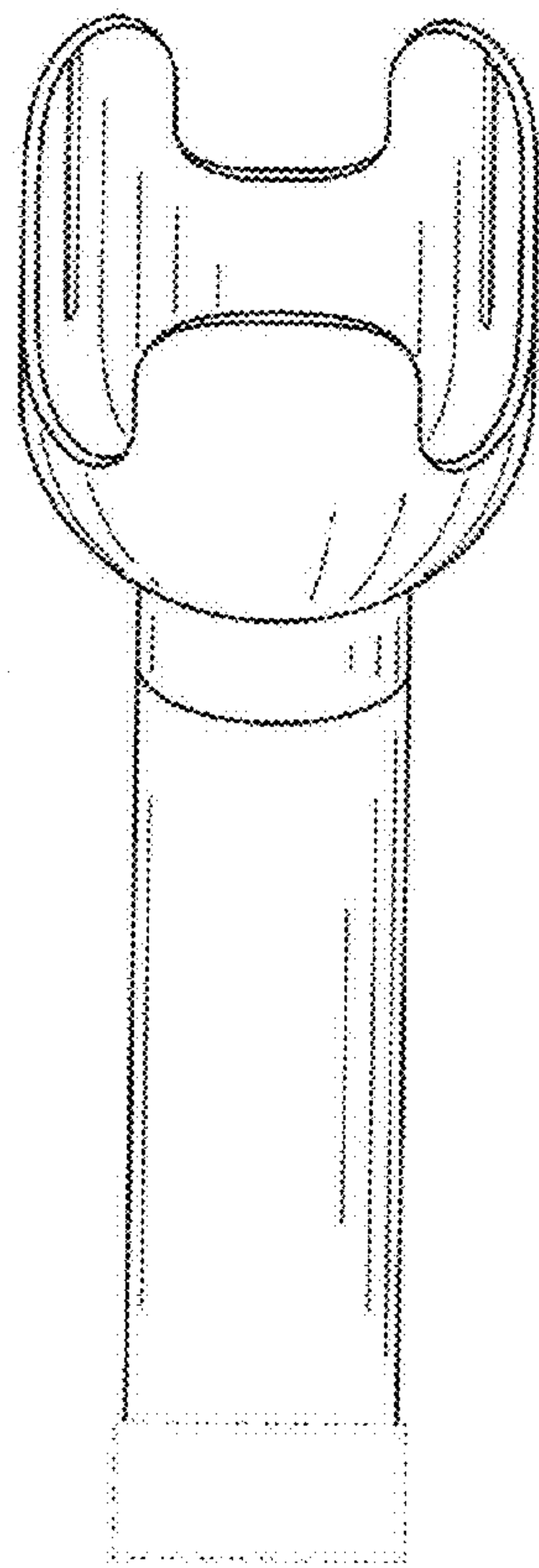


FIG. 3

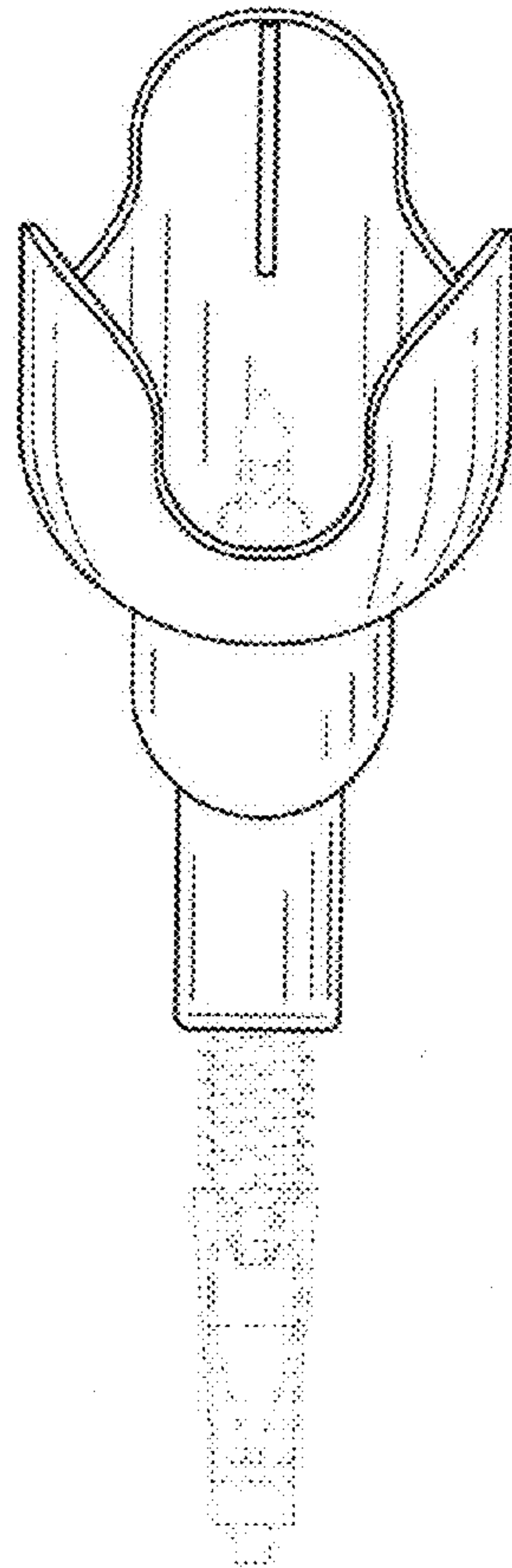


FIG. 4

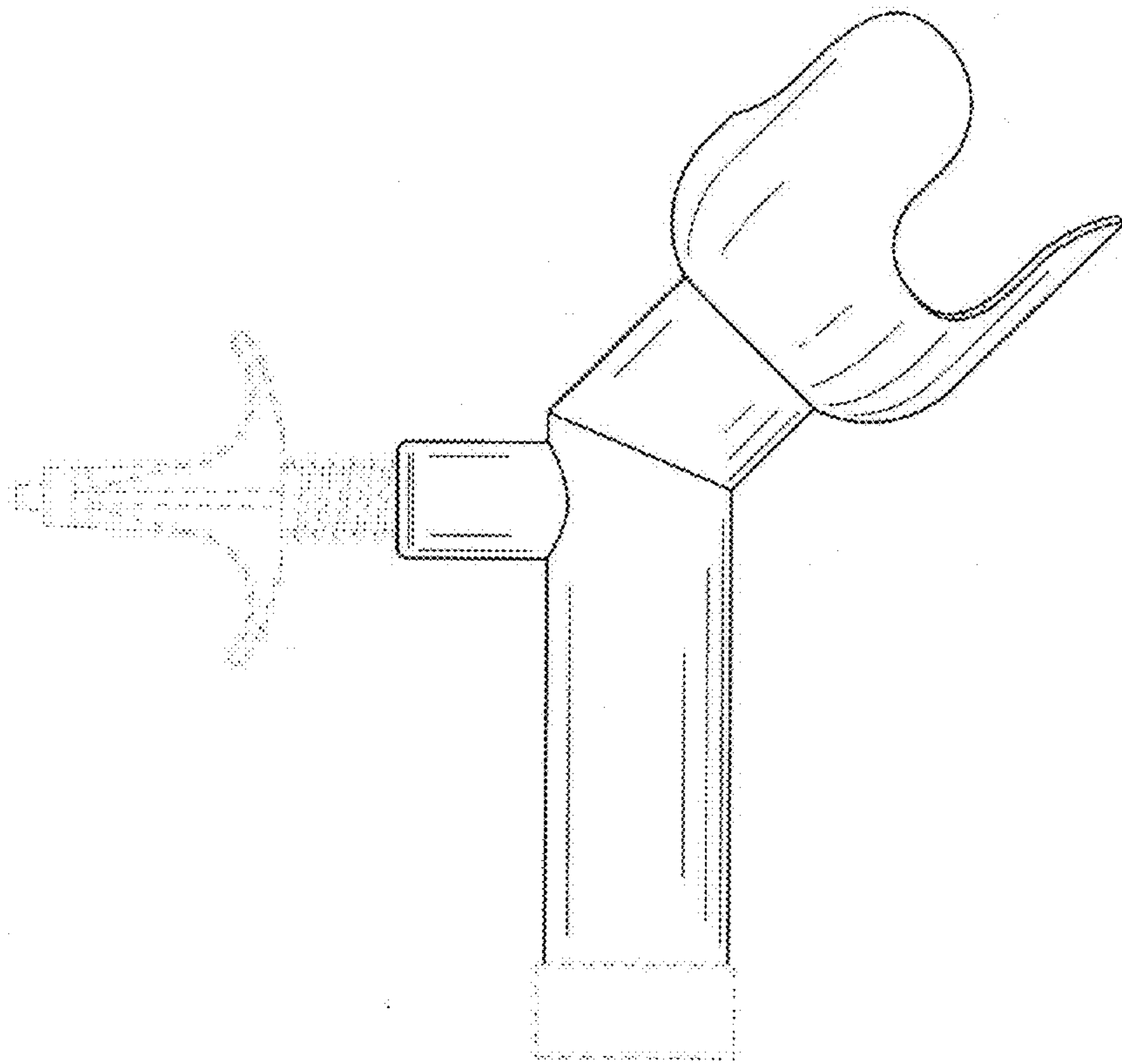


FIG. 5

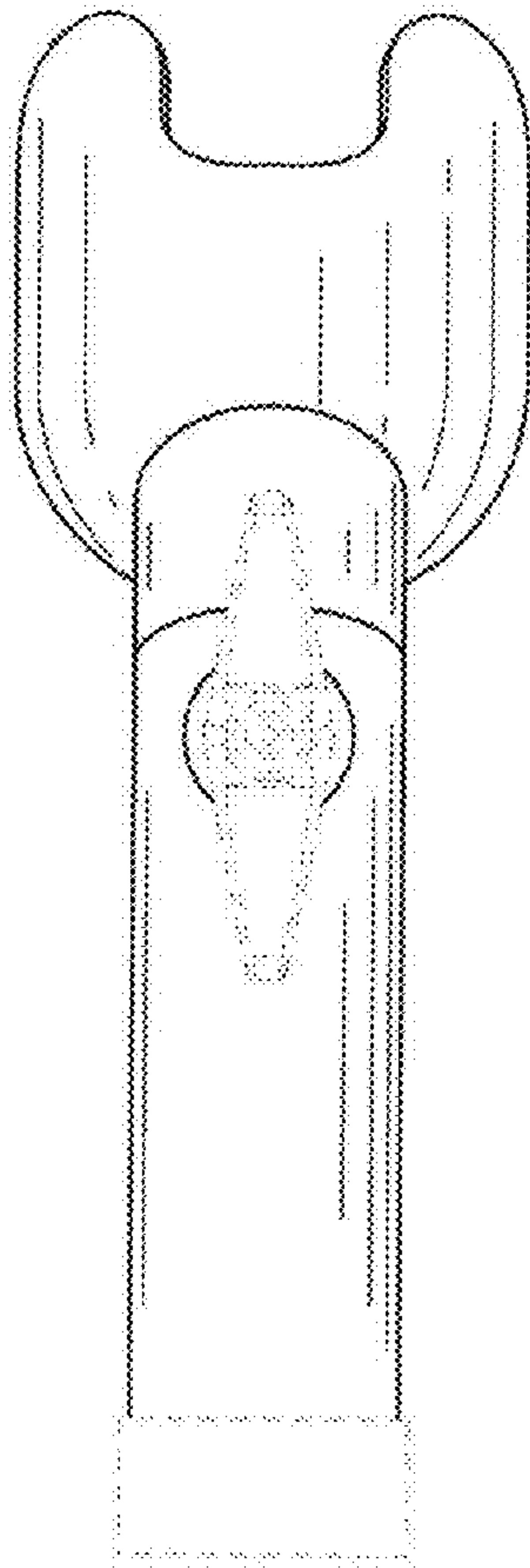


FIG. 6

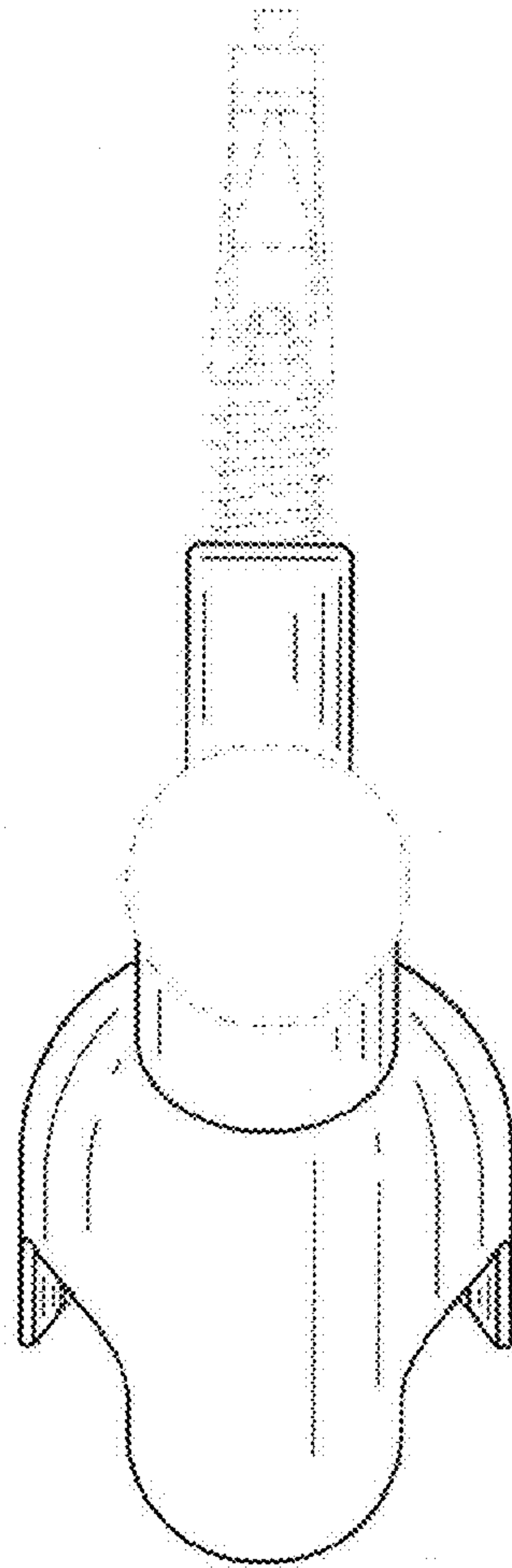


FIG. 7