



US00D768663S

(12) **United States Design Patent** (10) **Patent No.:** **US D768,663 S**
Yun et al. (45) **Date of Patent:** **** Oct. 11, 2016**

(54) **DISPLAY SCREEN OR PORTION THEREOF WITH GRAPHICAL USER INTERFACE**

(71) Applicant: **SAMSUNG ELECTRONICS CO., LTD.**, Suwon-Si (KR)

(72) Inventors: **So-Young Yun**, Seoul (KR); **Ji-Yoon Yoon**, Seoul (KR); **Jae-Jeong Kim**, Seoul (KR)

(73) Assignee: **SAMSUNG ELECTRONICS CO., LTD.**, Suwon-Si, Gyeonggi-Do (KR)

(**) Term: **14 Years**

(21) Appl. No.: **29/477,498**

(22) Filed: **Dec. 23, 2013**

(30) **Foreign Application Priority Data**

Sep. 3, 2013 (KR) 30-2013-0045479

(51) **LOC (10) Cl.** **14-04**

(52) **U.S. Cl.**
USPC **D14/486**

(58) **Field of Classification Search**
USPC D14/485-495
CPC .. G06F 3/0481; G06F 3/0482; G06F 3/0485;
G06F 3/04883; G06F 3/04886; G06F
3/04817; G06F 3/04842
See application file for complete search history.

(56) **References Cited**

U.S. PATENT DOCUMENTS

D626,131 S * 10/2010 Kruzeniski D14/485
D627,360 S * 11/2010 Aarseth D14/485
D630,642 S * 1/2011 Berg D14/486
D631,060 S * 1/2011 Flick D14/486

D637,196 S * 5/2011 Ray D14/486
D637,197 S * 5/2011 Ray D14/486
D659,704 S * 5/2012 Sharma D14/486
D691,171 S * 10/2013 Brinda D14/488
D699,730 S * 2/2014 Brinda D14/485
D703,693 S * 4/2014 Brinda D14/488
D716,317 S * 10/2014 Behzadi D14/485
D716,320 S * 10/2014 Fan D14/485
D716,321 S * 10/2014 Fan D14/485
D717,822 S * 11/2014 Brotman D14/486
D721,084 S * 1/2015 Kimball D14/485
D727,336 S * 4/2015 Allison D14/485
D727,928 S * 4/2015 Allison D14/485
D728,616 S * 5/2015 Gomez D14/491
D738,895 S * 9/2015 Myoung D14/486
D739,415 S * 9/2015 Barling D14/485
D746,857 S * 1/2016 Rayit D14/488
D748,101 S * 1/2016 Bang D14/485
D749,103 S * 2/2016 Song D14/486
2014/0195826 A1 * 7/2014 Wojcik H05K 5/0086
713/300

* cited by examiner

Primary Examiner — Deanna L Pratt

(74) *Attorney, Agent, or Firm* — Ladas & Parry LLP

(57) **CLAIM**

We claim the ornamental design for a display screen or portion thereof with graphical user interface, as shown and described.

DESCRIPTION

FIG. 1 is a front view of a display screen or portion thereof with graphical user interface showing our new design; and, FIG. 2 is a front view of a second embodiment thereof.

The broken lines in the drawings illustrate environmental structure and form no part of the claimed design.

The dot-dash broken lines in the drawings illustrate environmental structure and form no part of the claimed design.

1 Claim, 2 Drawing Sheets

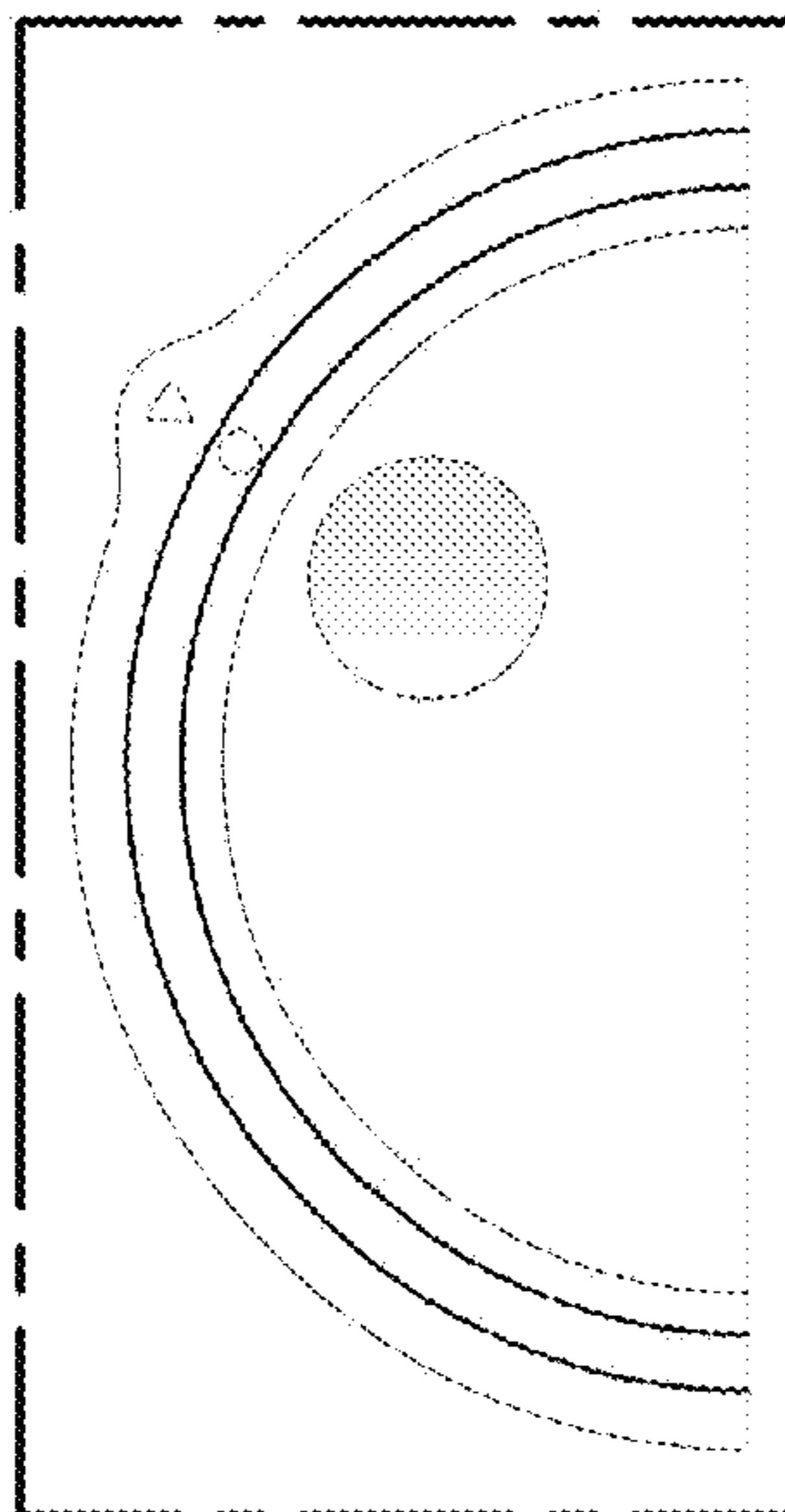


FIG. 1

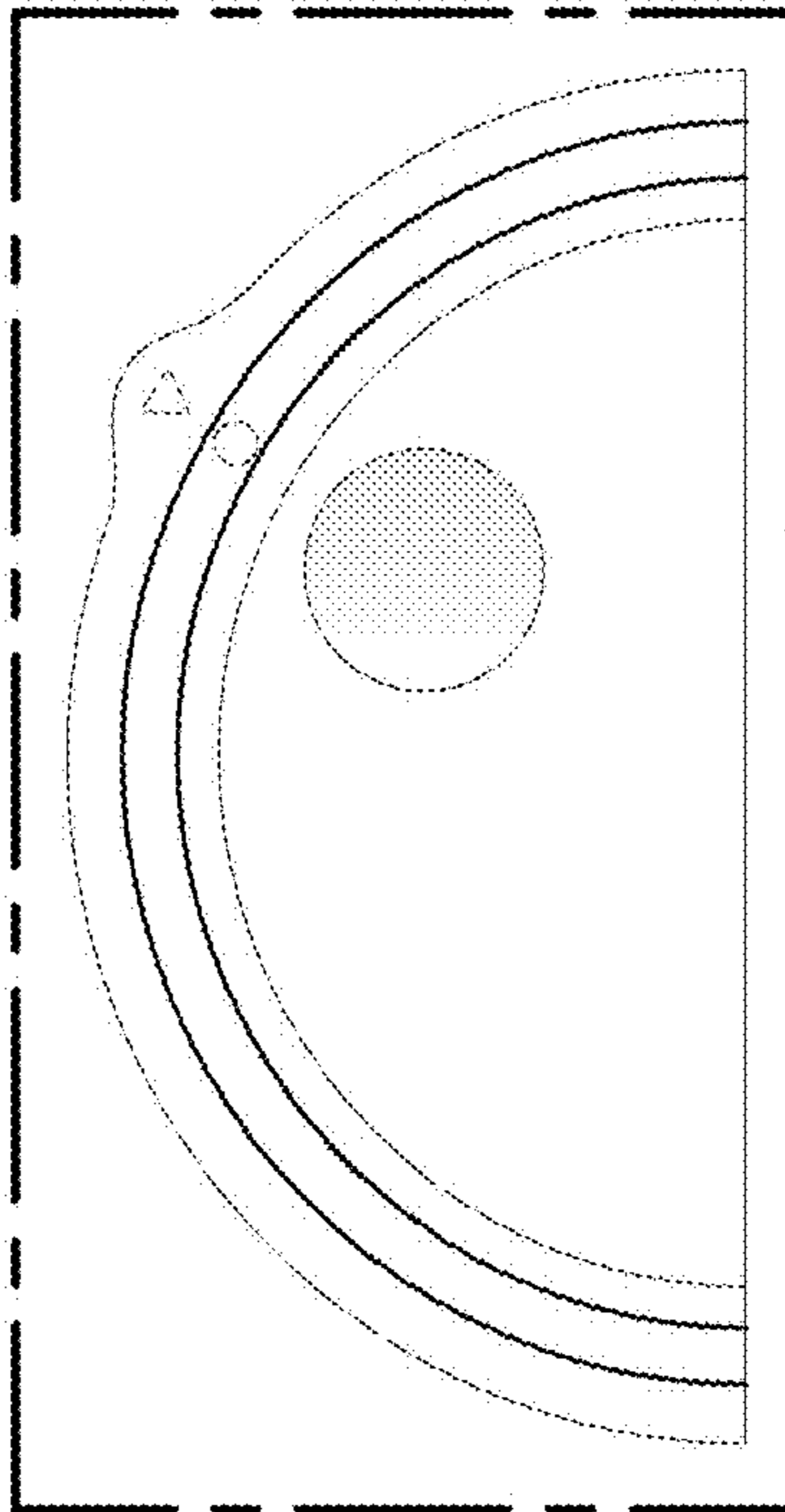


FIG. 2

