



US00D768652S

(12) **United States Design Patent**
Yang

(10) **Patent No.:** **US D768,652 S**
(45) **Date of Patent:** **** Oct. 11, 2016**

(54) **DISPLAY SCREEN WITH ANIMATED GRAPHICAL USER INTERFACE**

D719,175 S * 12/2014 Nguyen D14/485
D739,422 S * 9/2015 Jeong D14/486
D751,574 S * 3/2016 Forsblom D14/485
D753,678 S * 4/2016 Clarke D14/485

(71) Applicants: **Beijing Qihoo Technology Co. Ltd,**
Beijing (CN); **Qizhi Software (Beijing)**
Co. Ltd, Beijing (CN)

(72) Inventor: **Yang Yang,** Beijing (CN)

(73) Assignees: **BEIJING QIHOO TECHNOLOGY**
CO. LTD., Beijing (CN); **QIZHI**
SOFTWARE (BEIJING) CO. LTD,
Beijing (CN)

(**) Term: **14 Years**

(21) Appl. No.: **29/516,658**

(22) Filed: **Feb. 4, 2015**

(30) **Foreign Application Priority Data**

Aug. 5, 2014 (CN) 2014 3 0272646

(51) **LOC (10) Cl.** **14-04**

(52) **U.S. Cl.**
USPC **D14/485**

(58) **Field of Classification Search**
USPC D14/485-495
See application file for complete search history.

(56) **References Cited**

U.S. PATENT DOCUMENTS

D452,693 S * 1/2002 Mitchell D14/492
D549,721 S * 8/2007 Ito D14/488
D601,570 S * 10/2009 Vu D14/485
D644,652 S * 9/2011 van der Spek D14/486
D646,696 S * 10/2011 Loken D14/492
D681,662 S * 5/2013 Fletcher D14/488
D686,244 S * 7/2013 Moriya D14/489
D687,056 S * 7/2013 Matas D14/488
D701,226 S * 3/2014 Jung D14/486
D702,720 S * 4/2014 Abratowski D14/489
D713,412 S * 9/2014 Gall D14/485

OTHER PUBLICATIONS

iHealth review | posted at softpedia.com Nov. 7, 2012 © 2001-2016 Softpedia [online]. Available from Internet: <http://news.softpedia.com/news/Apple-to-Carry-iHealth-Body-Analysis-Tools-in-Its-Stores-305132.shtml>.*

iHealth scale | posted at lazytechguys.com Dec. 6, 2012 Copyright © 2012 LazyTechGuys [online]. Available from Internet: <http://lazytechguys.com/reviews/ihealth-bluetooth-scale-review#.VzOwa_IVilc> p. 3.*

* cited by examiner

Primary Examiner — Sheryl Lane

Assistant Examiner — Katherine Glennon

(74) *Attorney, Agent, or Firm* — Baker & Hostetler LLP

(57) **CLAIM**

I claim the ornamental design for a display screen with animated graphical user interface, as shown and described.

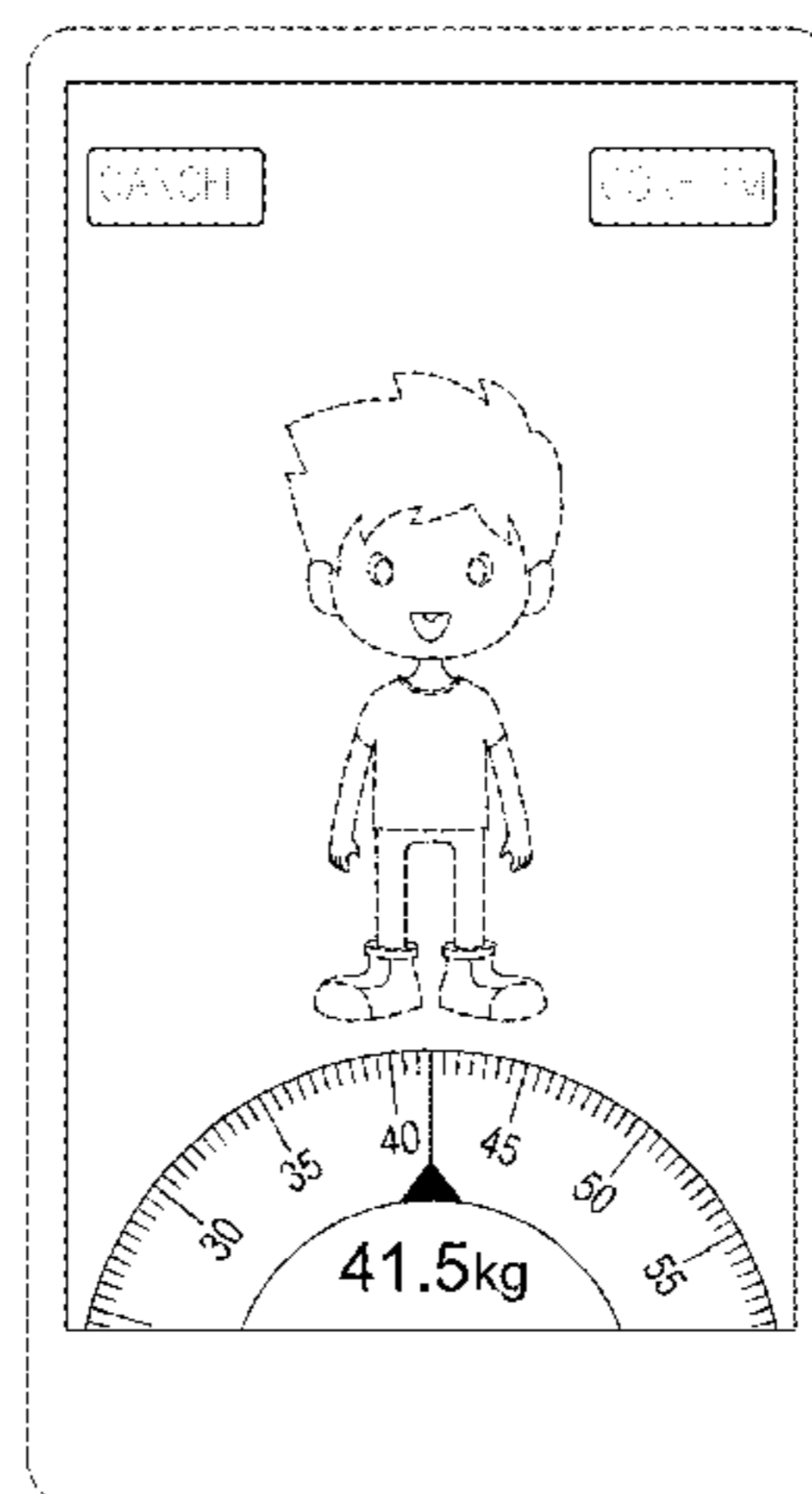
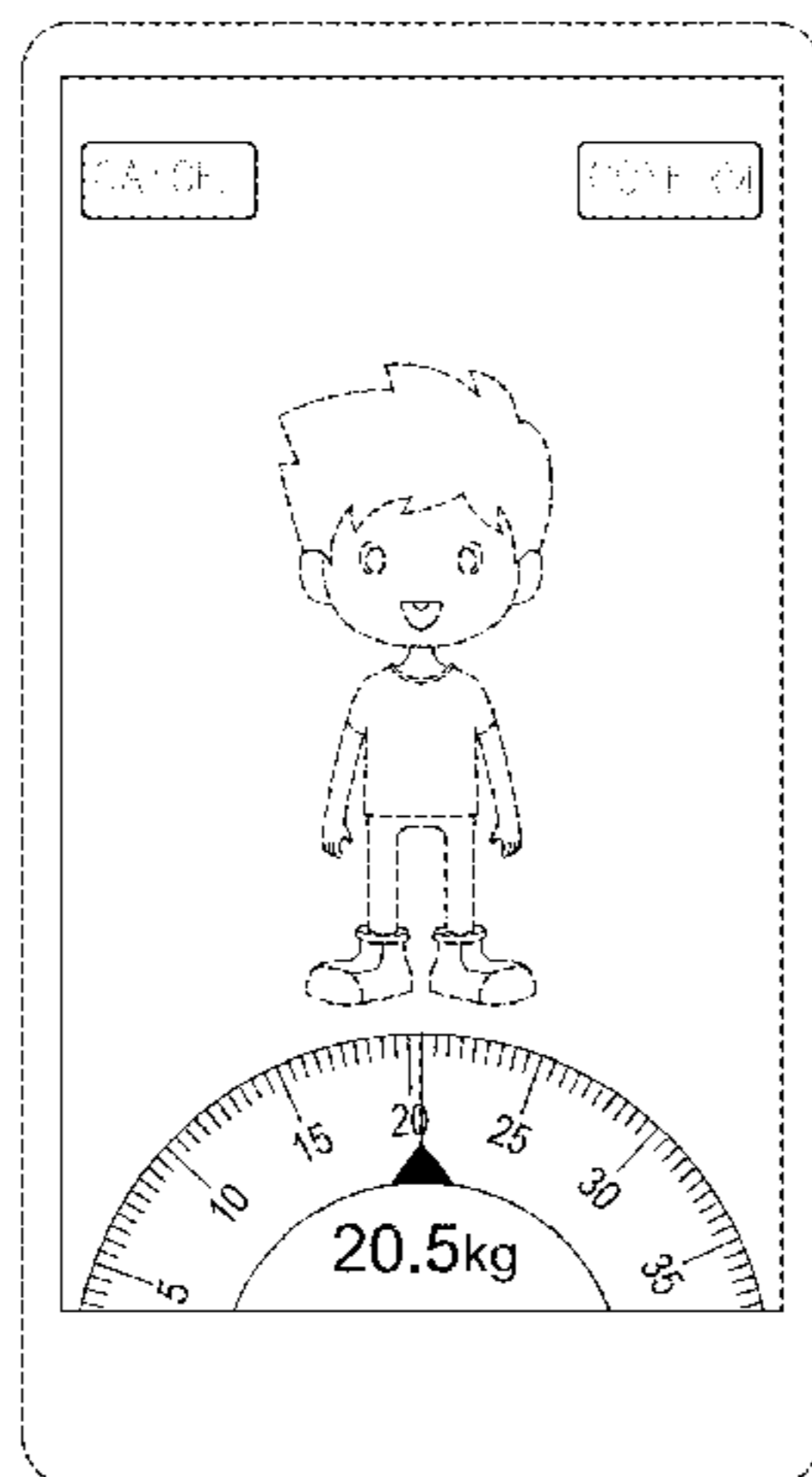
DESCRIPTION

FIG. 1 is an image for a display screen with animated graphical user interface;
FIG. 2 is a second image thereof;
FIG. 3 is a third image thereof; and,
FIG. 4 is a fourth image thereof.

The outermost broken line represents the display screen and forms no part of the claimed design. The broken lines within the display screen that show text and graphical elements represent portions of the graphical user interface that form no part of the claimed design.

The appearance of the transitional image sequentially transitions between the images shown in FIGS. 1-4. The process or period in which one image transitions to another image forms no part of the claimed design.

1 Claim, 2 Drawing Sheets



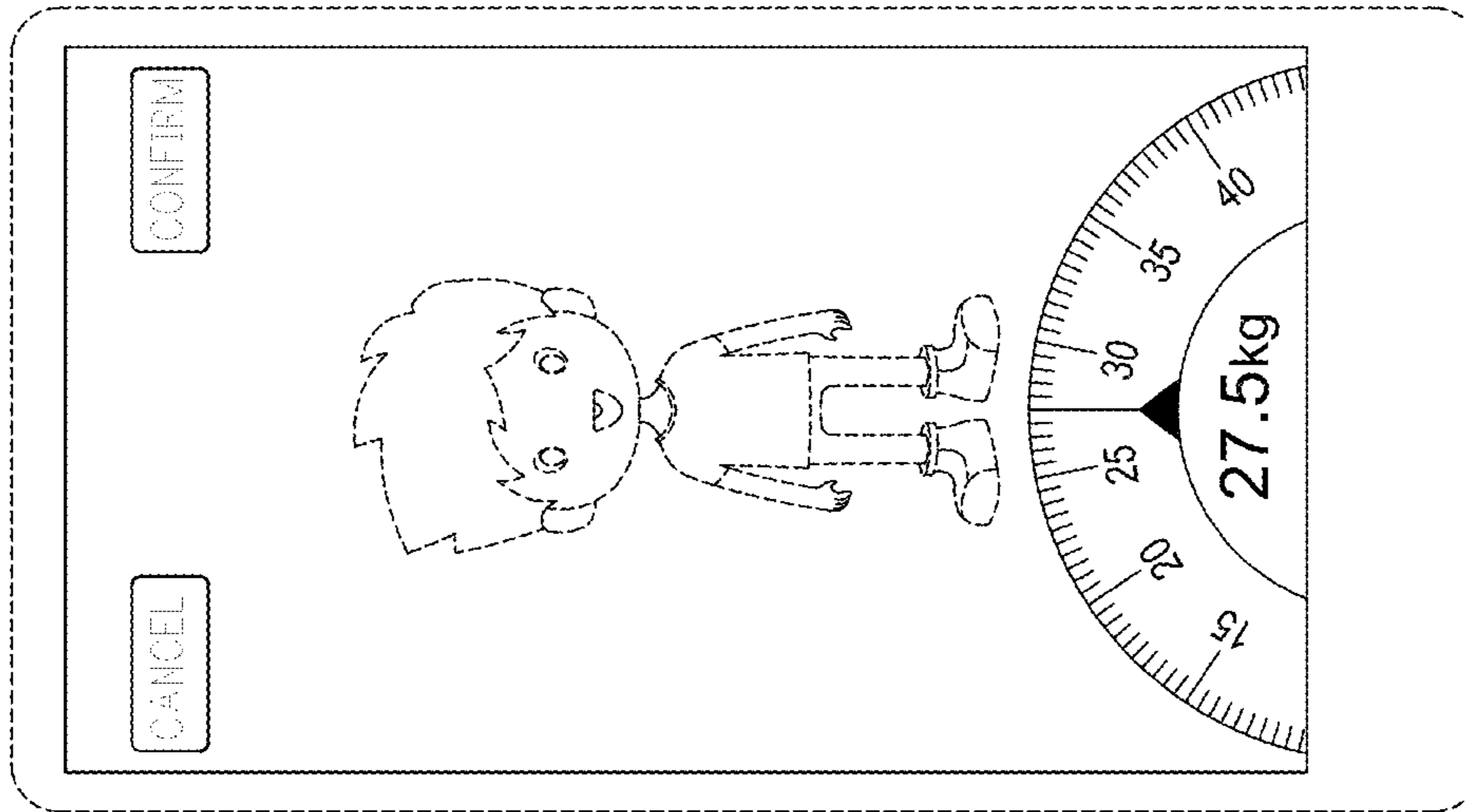


FIG. 1

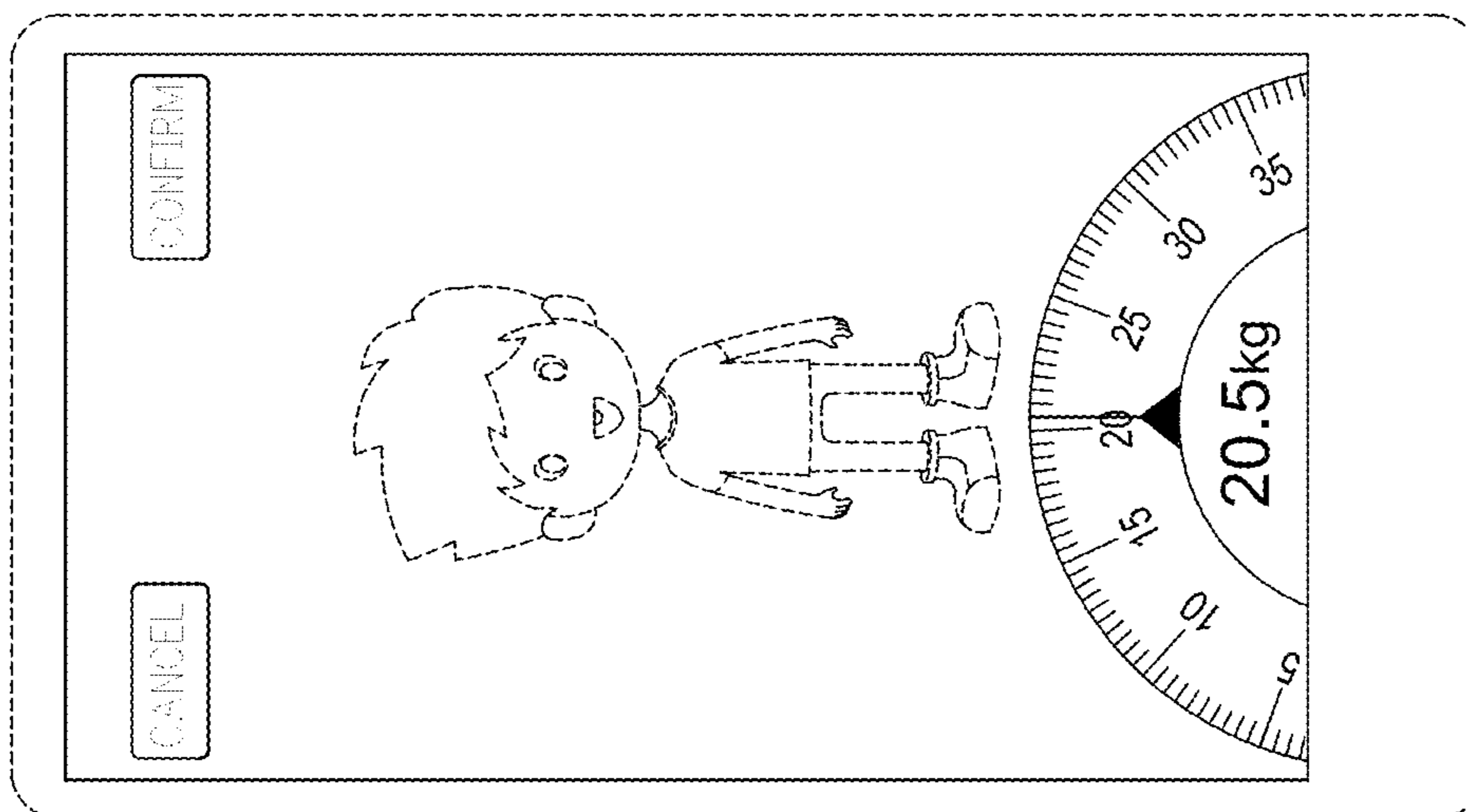


FIG. 2

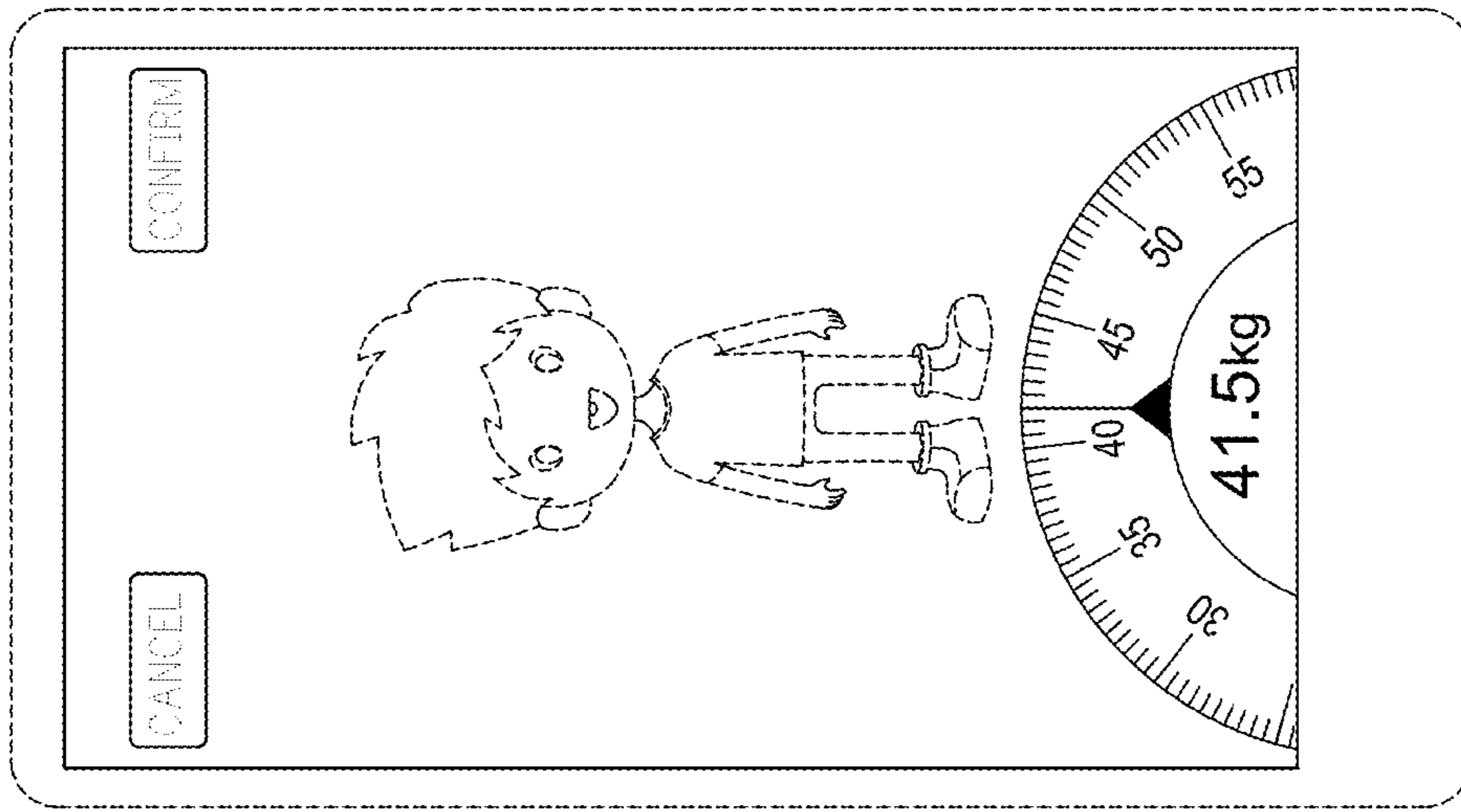


FIG. 4

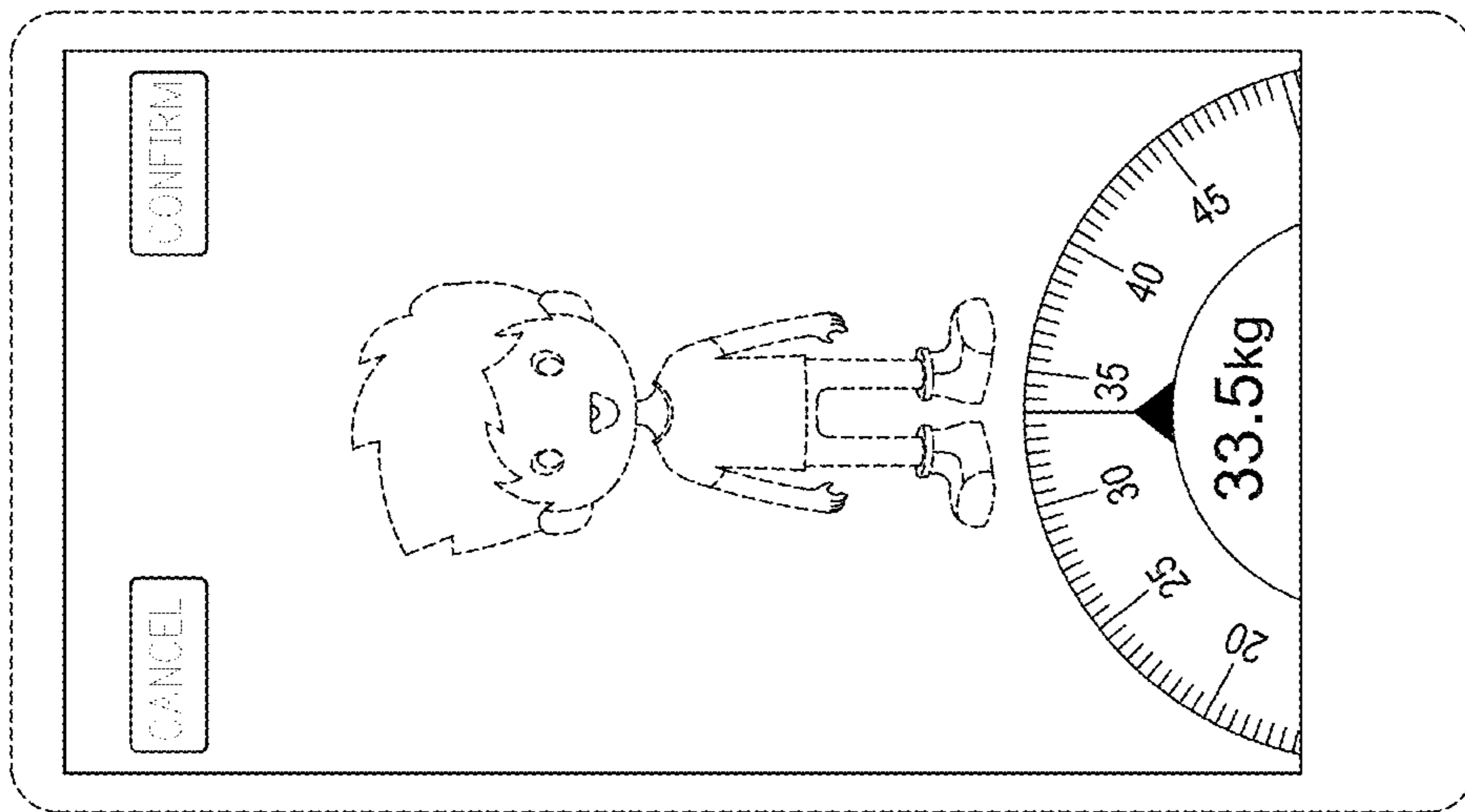


FIG. 3