



US00D768640S

(12) **United States Design Patent**
Jensen et al.

(10) **Patent No.:** **US D768,640 S**

(45) **Date of Patent:** **** Oct. 11, 2016**

(54) **PORTABLE STAND FOR COMPUTER**

(71) Applicant: **SAMSUNG ELECTRONICS CO., LTD.**, Suwon-si (KR)

(72) Inventors: **Anders P. Jensen**, Charlottenlund (DK); **Ho-Young Seoc**, Yongin-si (KR)

(73) Assignee: **SAMSUNG ELECTRONICS CO., LTD.**, Suwon-Si, Gyeonggi-Do (KR)

(**) Term: **14 Years**

(21) Appl. No.: **29/453,524**

(22) Filed: **Apr. 30, 2013**

(30) **Foreign Application Priority Data**

Nov. 6, 2012 (KR) 30-2012-0052979

(51) **LOC (10) Cl.** **08-07**

(52) **U.S. Cl.**
USPC **D14/451**

(58) **Field of Classification Search**

USPC D14/371-382, 125-129, 336, 337, D14/447-452, 492, 335, 239, 457, 439-441, D14/251-253; D8/313-317, 349, 354, 363, D8/373, 376, 380; 348/180, 184, 325, 739, 348/825; D12/407, 415; D3/218, 205, 294; D9/420, 424, 426, 428, 414, 432
CPC G06F 3/0412; G06F 3/016; G06F 3/0488; G06F 3/011; G06F 3/038; G06F 3/03543; G06F 3/0338; G06F 3/0202; G06F 3/0219; G06F 3/0213; G06F 1/1616; G06F 3/023; G06F 3/04883; G02F 1/13338; G02F 1/1313; G02F 1/1333; G02F 1/135; G02F 1/132; G02F 1/133308; G02F 1/134309; G02F 1/13718; G09G 3/3648; G06K 15/1252; B41J 2/465; G03F 7/70291; G02B 27/0172; G02B 5/30; G02B 2027/0118; G02B 27/0101; F16M 13/02; F16M 13/00; F16M 11/10; F16M 11/04; F16M 2200/08; F16M 11/2021; A47B 21/0314; A47B 88/044;

A47B 2021/0335; H02G 3/126; F16B 47/00; F16B 47/006; A47G 1/17; A47K 2201/00

See application file for complete search history.

(56) **References Cited**

U.S. PATENT DOCUMENTS

D262,106 S * 12/1981 Frassanito D14/242
D354,752 S * 1/1995 Johnson et al. D14/240
D406,463 S * 3/1999 Rutledge D3/302
D486,479 S * 2/2004 Chung D14/240
D496,133 S * 9/2004 Dittmer et al. D28/83
D509,214 S * 9/2005 Chung D14/240

(Continued)

Primary Examiner — Garth Rademaker

Assistant Examiner — Katie S Mroczka

(74) *Attorney, Agent, or Firm* — Ladas & Parry LLP

(57) **CLAIM**

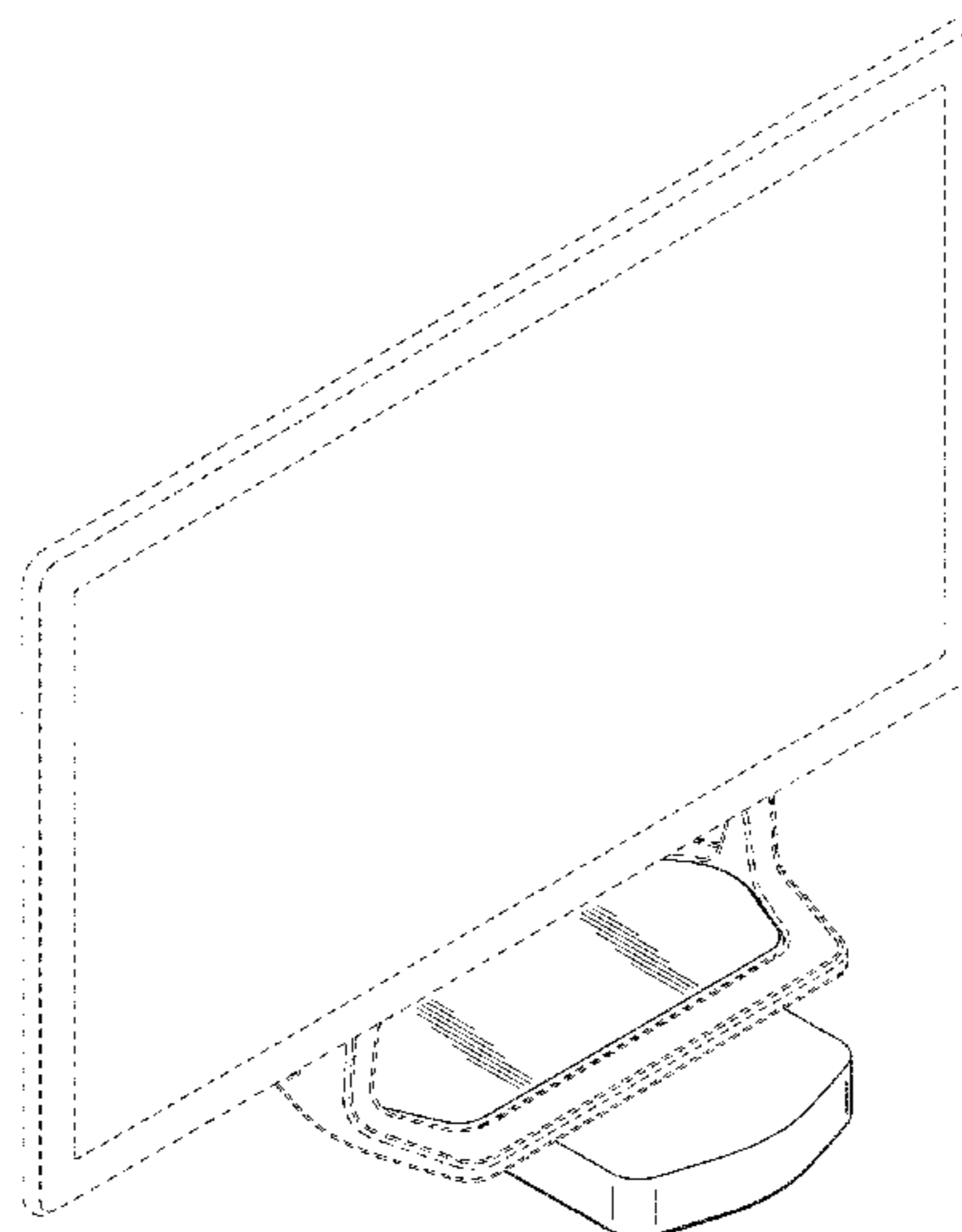
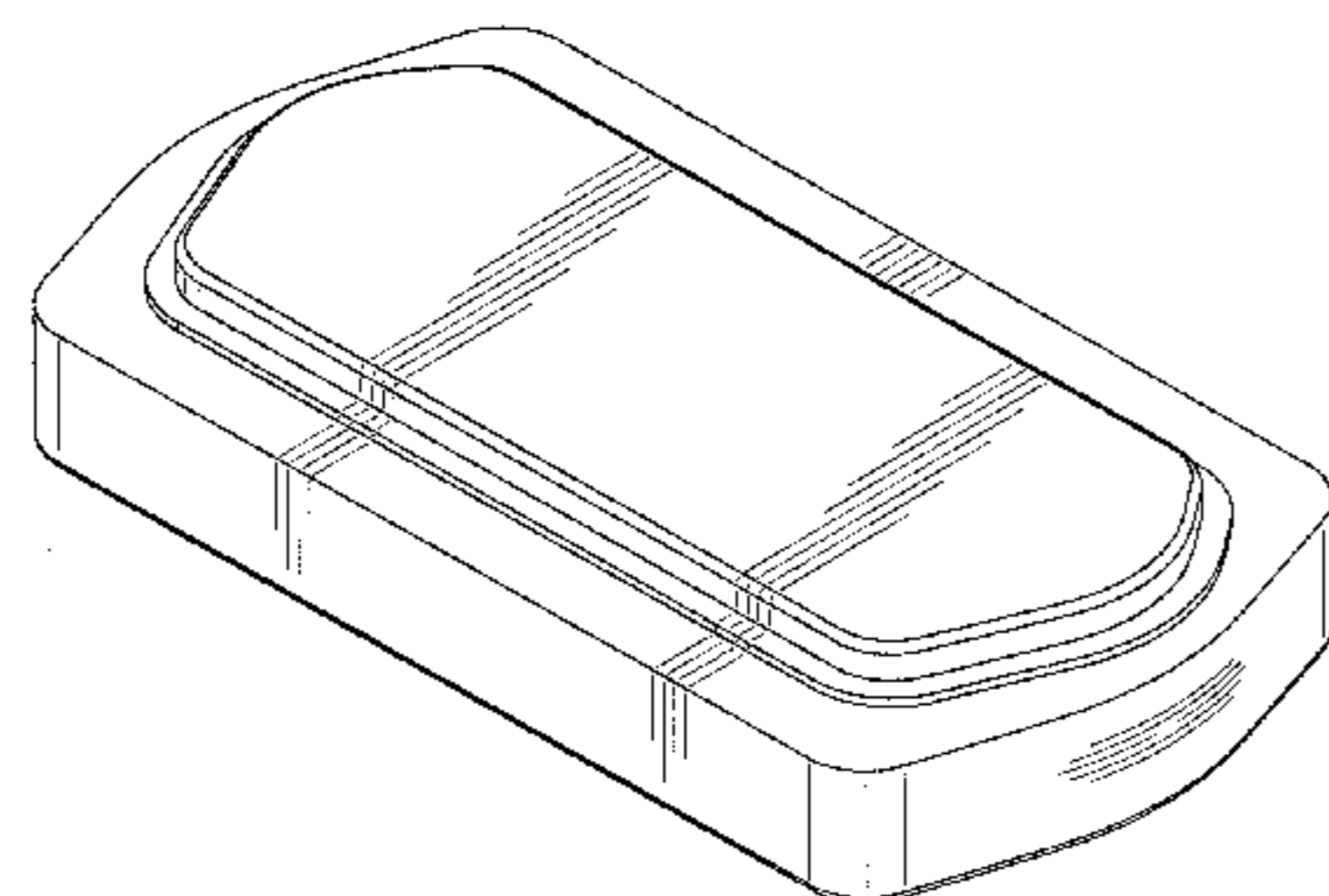
The ornamental design for a portable stand for computer, as shown and described.

DESCRIPTION

FIG. 1 is the front/right-side/top perspective view of a portable stand for computer showing our new design; FIG. 2 is the front-side elevational view thereof; FIG. 3 is the rear-side elevational view thereof; FIG. 4 is the left-side elevational view thereof; FIG. 5 is the right-side elevational view thereof; FIG. 6 is the top-side elevational view thereof; FIG. 7 is the bottom-side elevational view thereof; FIG. 8 shows the portable stand for computer in use; and, FIG. 9 shows the upper part of portable stand for computer in use.

The broken lines in FIG. 3 represent portions of the portable stand for computer that form no part of the claimed design. The broken line showing of the computer monitor in FIGS. 8 and 9 illustrate the environment of the claimed design and form no part thereof.

1 Claim, 7 Drawing Sheets



(56)

References Cited

U.S. PATENT DOCUMENTS

D525,120 S * 7/2006 Maskell et al. D9/428
D545,105 S * 6/2007 Daikubara et al. D6/574
D548,070 S * 8/2007 Swain D9/432
D548,971 S * 8/2007 Lin D3/294

D635,142 S * 3/2011 Borislow D14/435.1
D673,848 S * 1/2013 Bailey et al. D9/428
D688,938 S * 9/2013 Bailey et al. D9/428
D703,675 S * 4/2014 Jensen et al. D14/447
8,910,781 B2 * 12/2014 Pipes et al. 206/242

* cited by examiner

FIG. 1

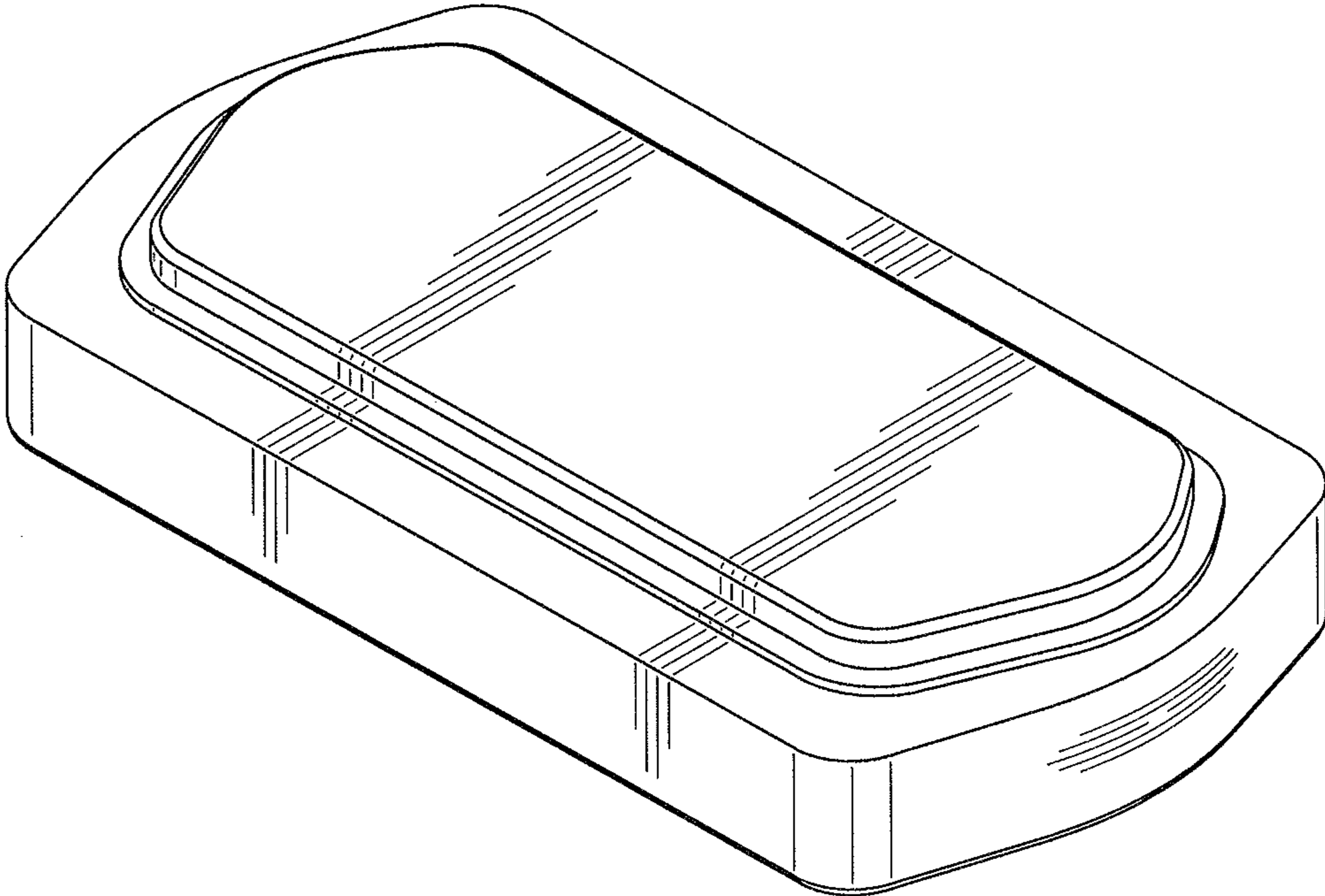


FIG. 2

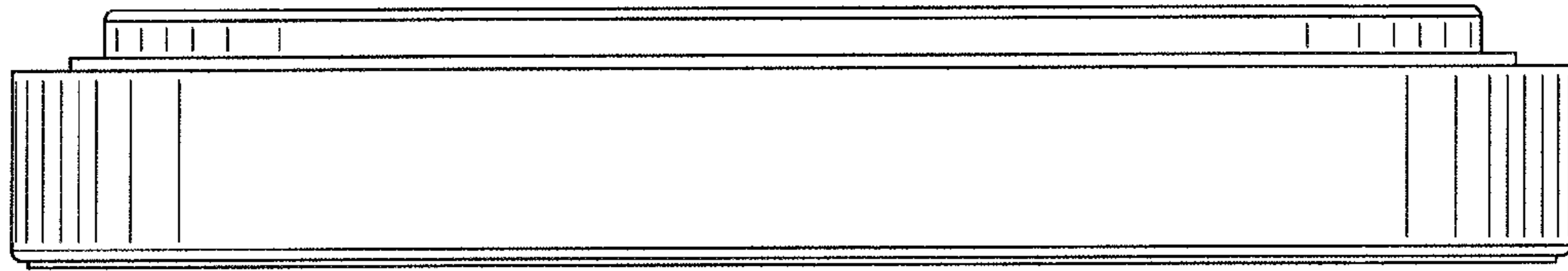


FIG. 3

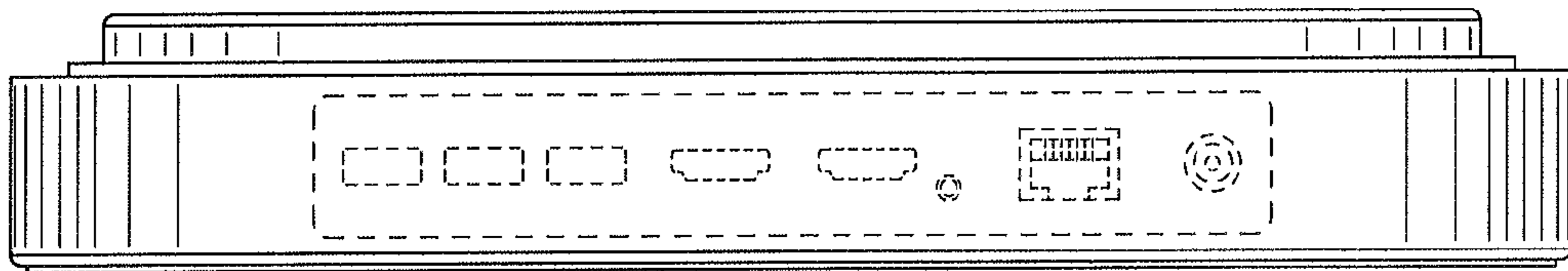


FIG. 4

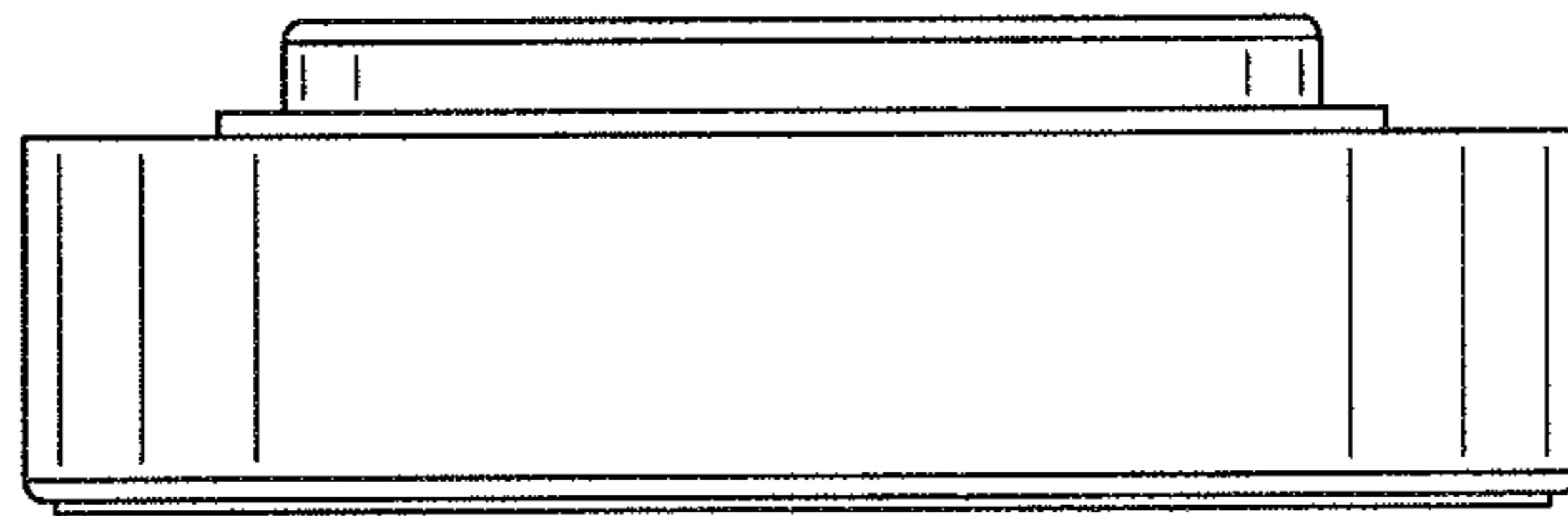


FIG. 5

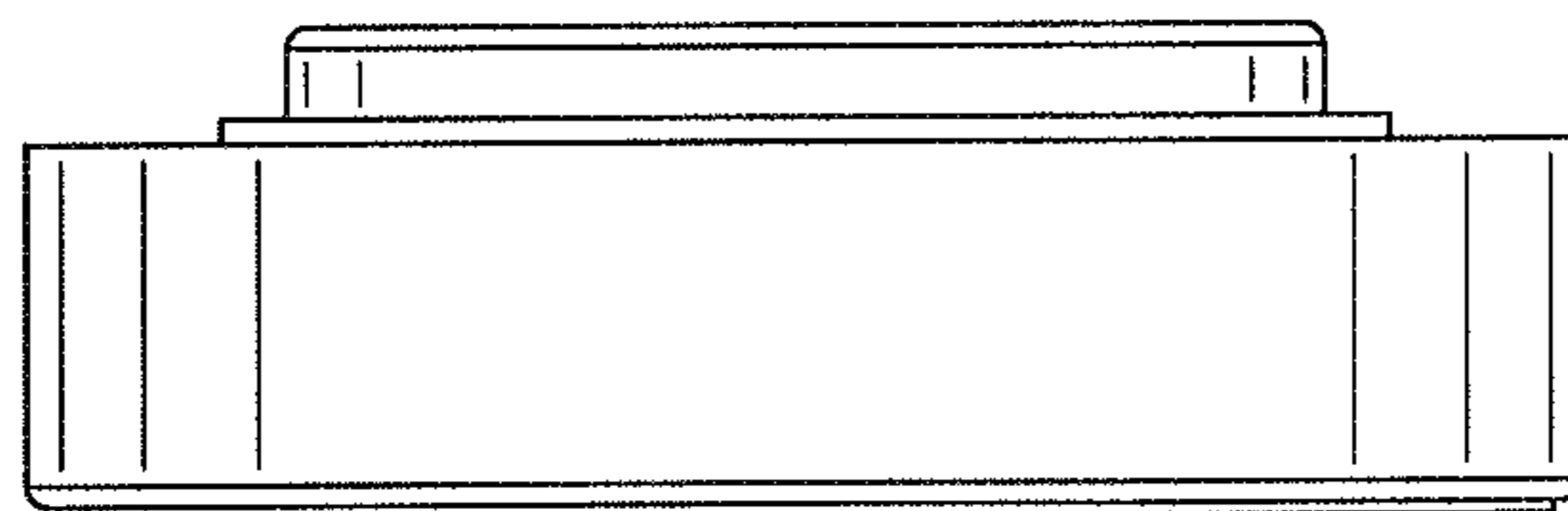


FIG. 6

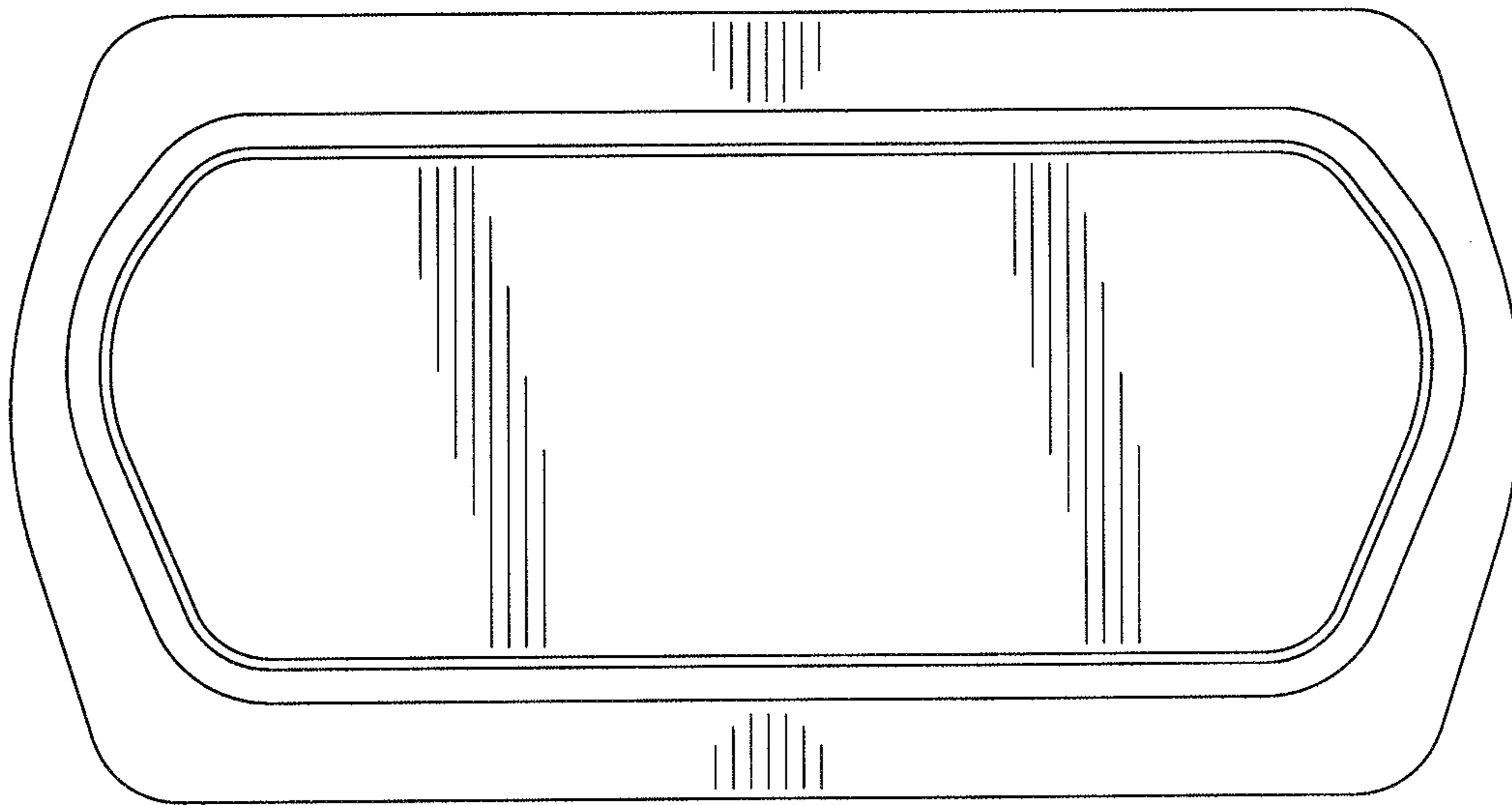


FIG. 7

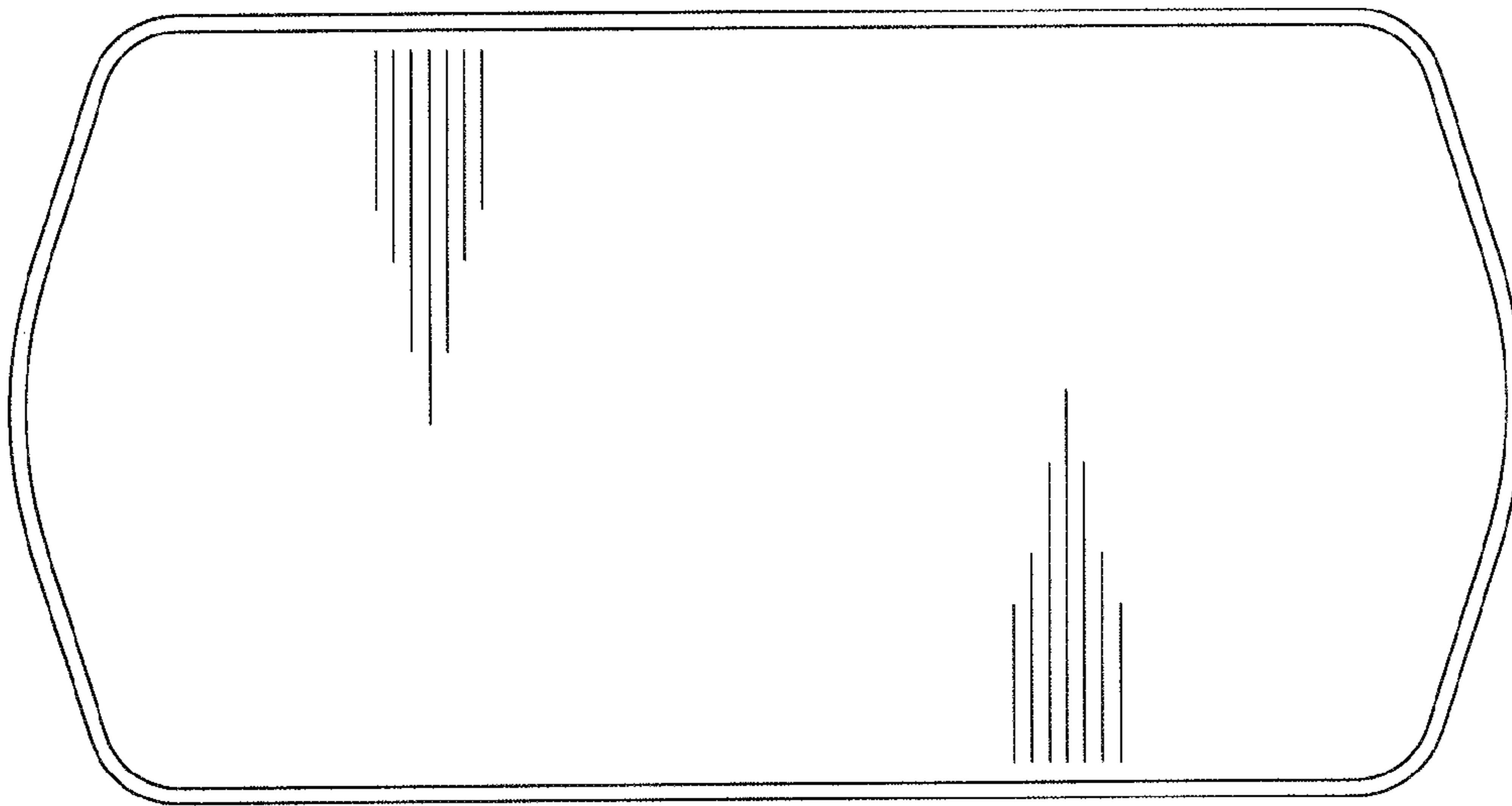


FIG. 8

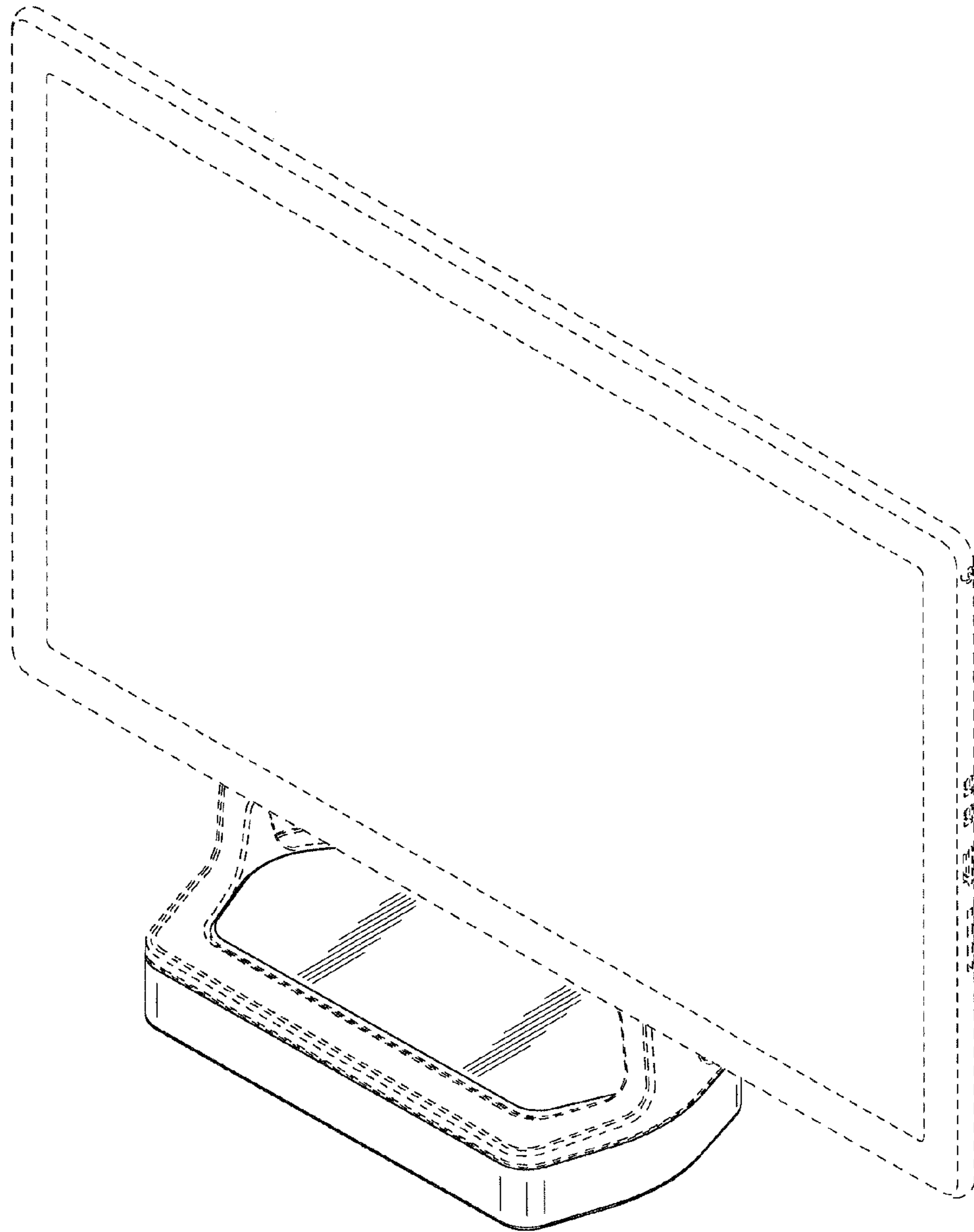


FIG. 9

