



US00D768638S

(12) **United States Design Patent**
Lee et al.

(10) **Patent No.:** **US D768,638 S**
(45) **Date of Patent:** **** Oct. 11, 2016**

- (54) **COVER FOR A MOBILE DEVICE**
- (71) Applicant: **Hewlett-Packard Development Company, L.P.**, Houston, TX (US)
- (72) Inventors: **Ilchan Lee**, Houston, TX (US); **Dong Ryu Cha**, Houston, TX (US); **Yoon Jung Byun**, Houston, TX (US)
- (73) Assignee: **Hewlett-Packard Development Company, L.P.**, Houston, TX (US)
- (**) Term: **15 Years**
- (21) Appl. No.: **29/530,921**
- (22) Filed: **Jun. 22, 2015**
- (51) **LOC (10) Cl.** **14-02**
- (52) **U.S. Cl.**
USPC **D14/440**
- (58) **Field of Classification Search**
USPC D14/250, 440, 447; 206/45.23, 320, 206/45.2; 361/679.55; 294/25; 224/218
CPC .. G06F 1/1628; G06F 1/1613; G06F 1/1626; A47B 23/044
See application file for complete search history.

- (56) **References Cited**
U.S. PATENT DOCUMENTS
D674,801 S * 1/2013 Wharram D13/102
D675,625 S * 2/2013 Hasbrook D14/440

D675,626 S *	2/2013	Williamson	D14/440
D678,272 S *	3/2013	Groene	D14/341
D689,498 S *	9/2013	Akana	D14/440
8,773,353 B2 *	7/2014	Wei	G06F 1/1662 345/156
D722,602 S *	2/2015	Schoenith	D14/440
D725,118 S *	3/2015	Hong	D14/440
D749,079 S *	2/2016	Hsu	D14/440
D750,085 S *	2/2016	Hsu	D14/440
2013/0214661 A1 *	8/2013	McBroom	G06F 1/1667 312/325

* cited by examiner

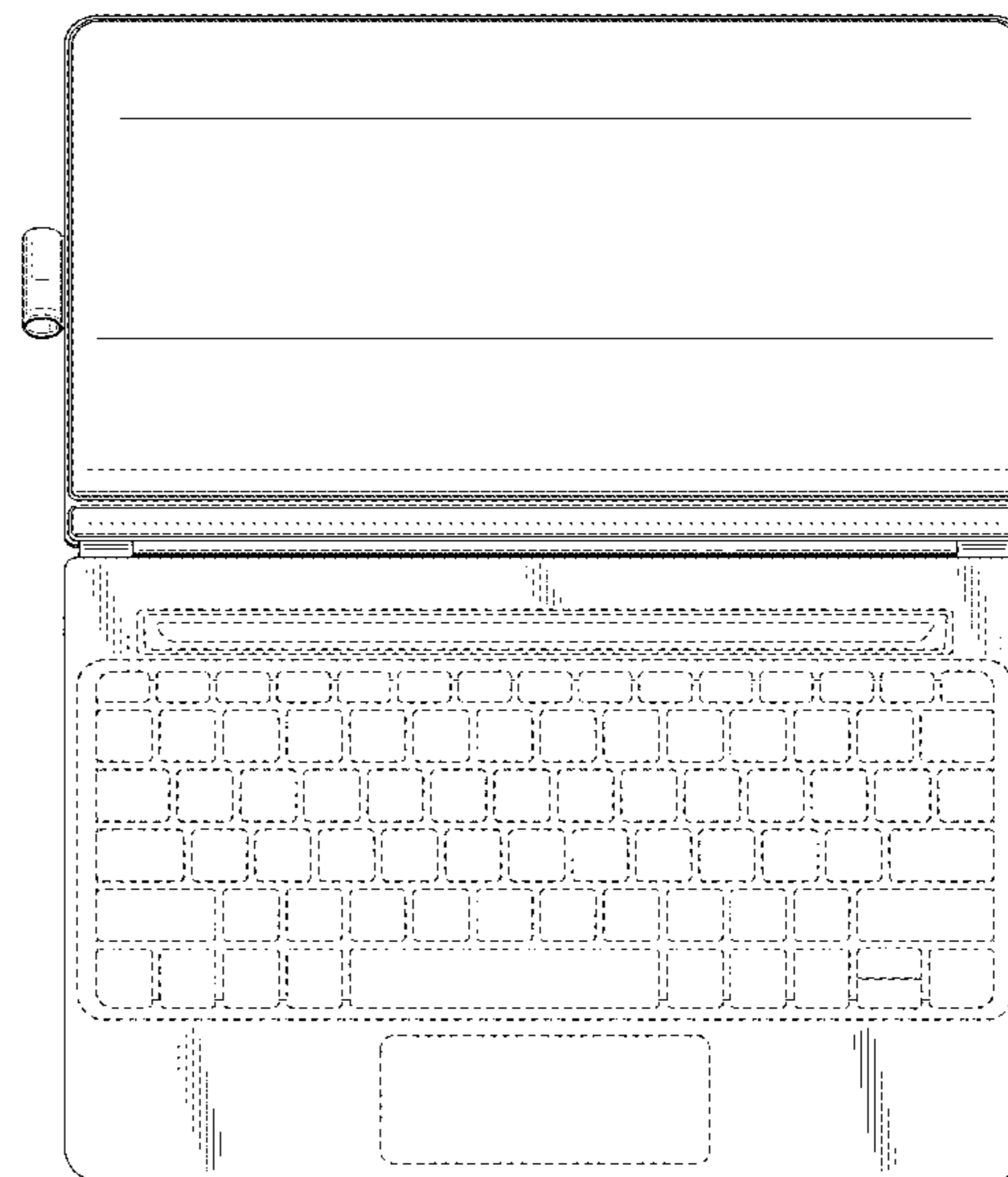
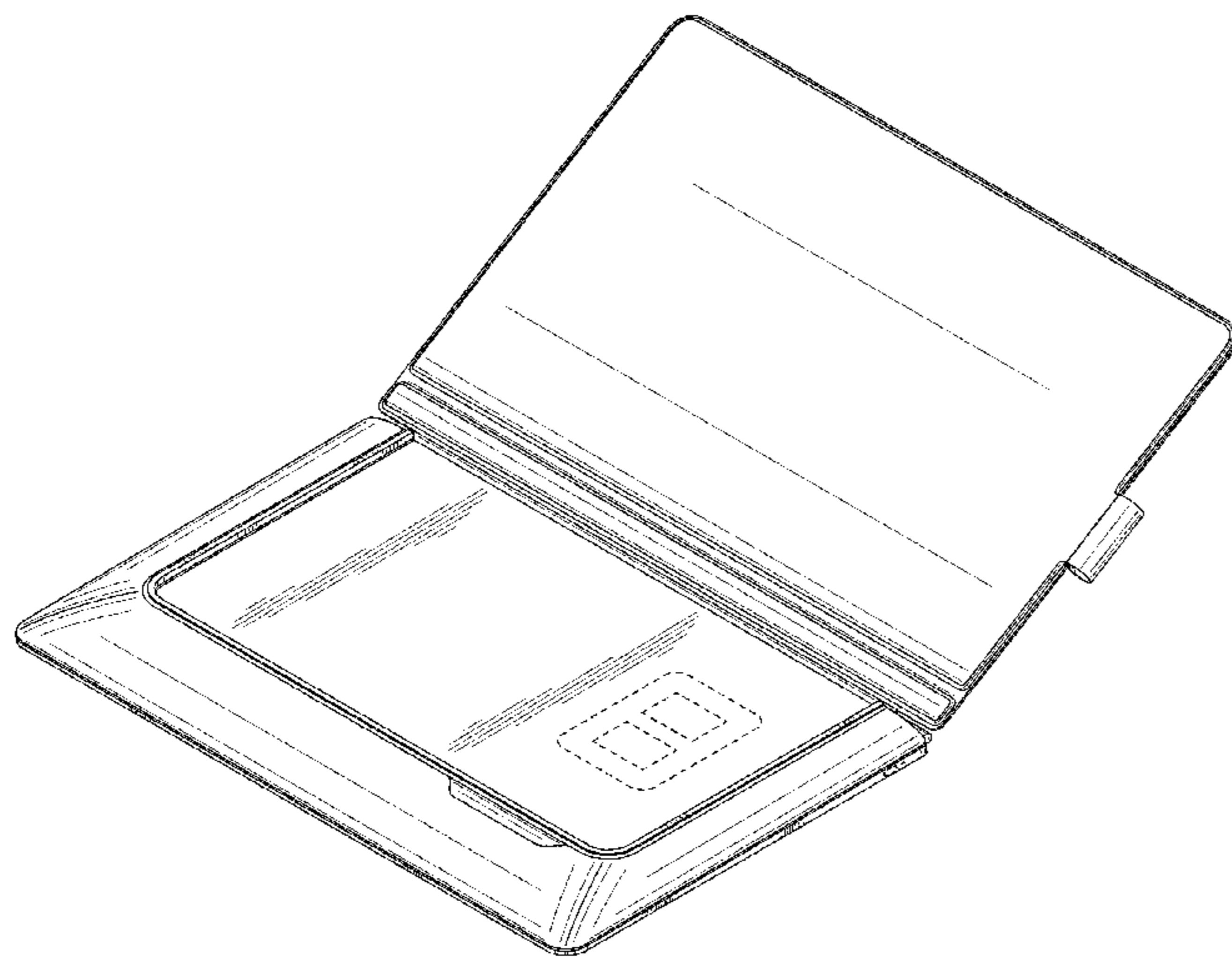
Primary Examiner — Cynthia Underwood
(74) *Attorney, Agent, or Firm* — Foley & Lardner

(57) **CLAIM**
We claim the ornamental design for a cover for a mobile device, as shown and described.

DESCRIPTION

FIG. 1 is a top, front, right perspective view of the claimed design according to an embodiment;
FIG. 2 is a top plan view of thereof;
FIG. 3 is a bottom plan view thereof;
FIG. 4 is a right side elevation view thereof;
FIG. 5 is a left side elevation view thereof;
FIG. 6 is a front elevation view thereof; and,
FIG. 7 is a rear elevation view thereof.
The ornamental design which is claimed is shown in solid lines in the drawings. The broken lines represent portions of the structure that forms no part of the claim.

1 Claim, 6 Drawing Sheets



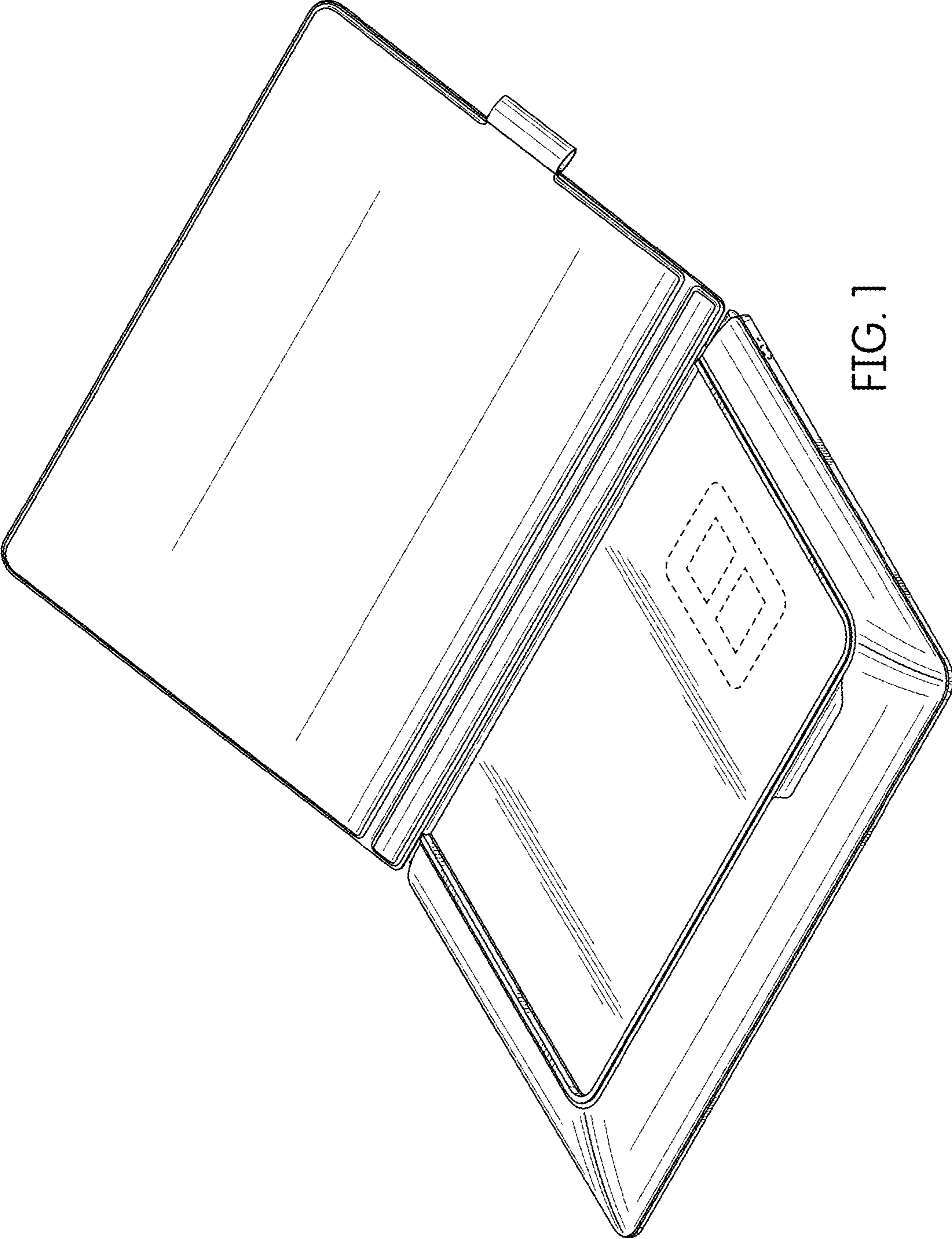


FIG. 1

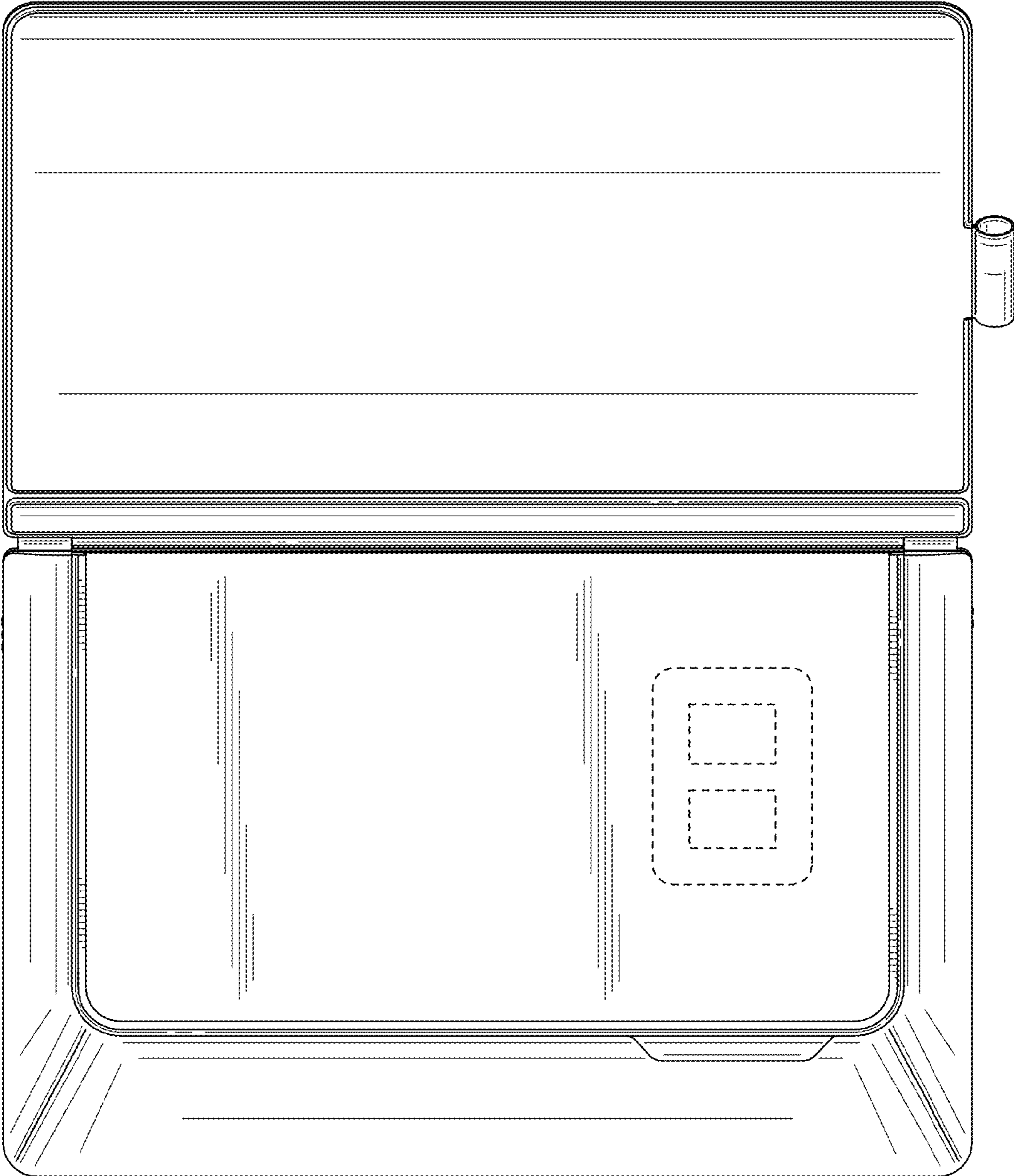


FIG. 2

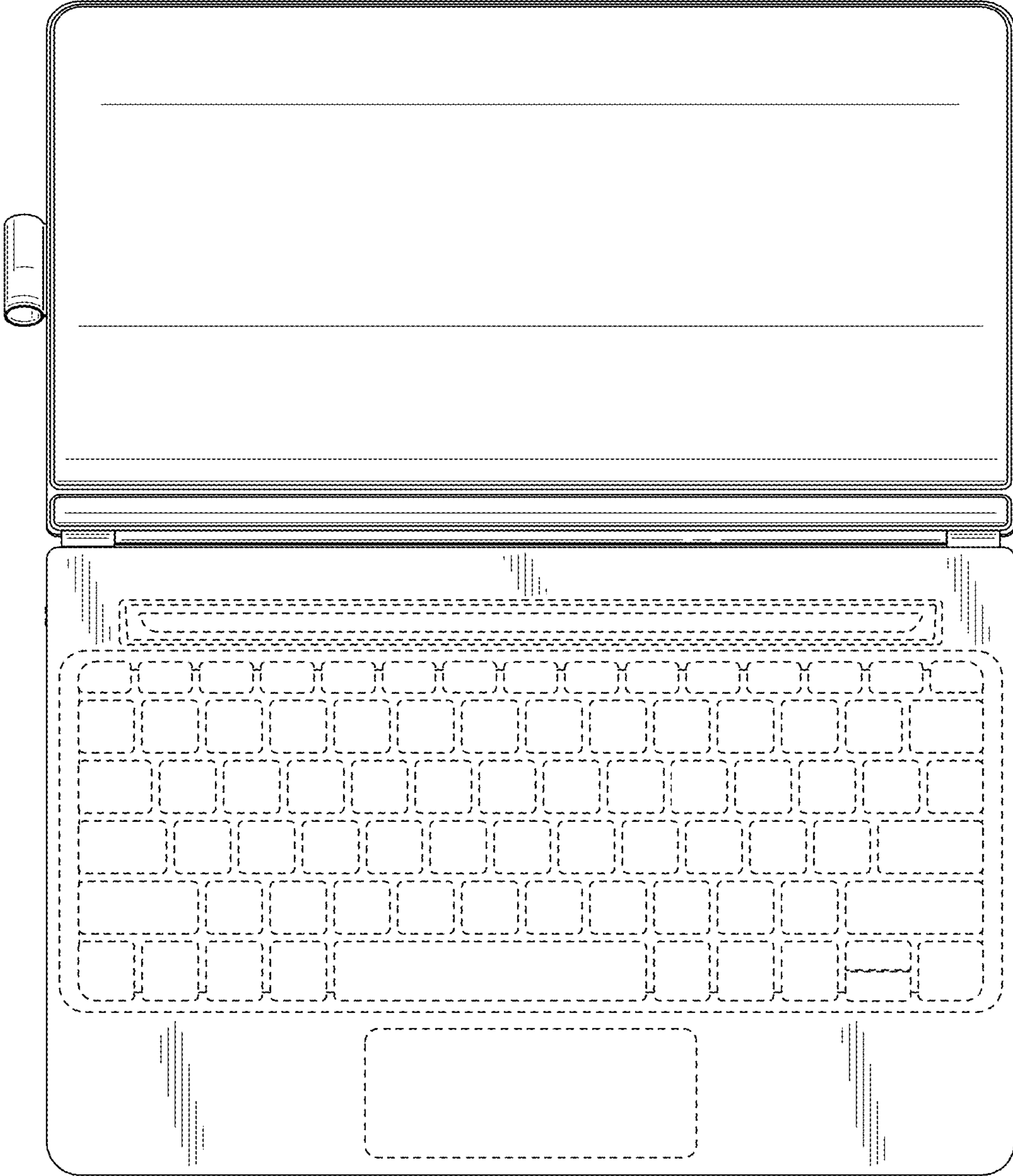


FIG. 3

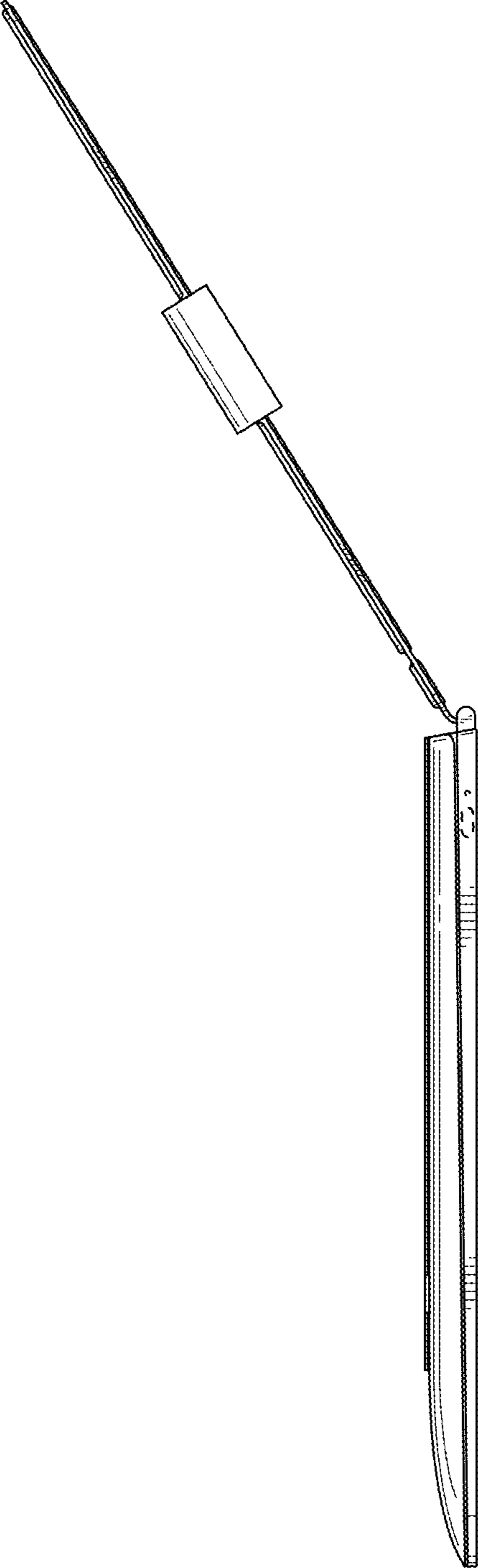


FIG. 4

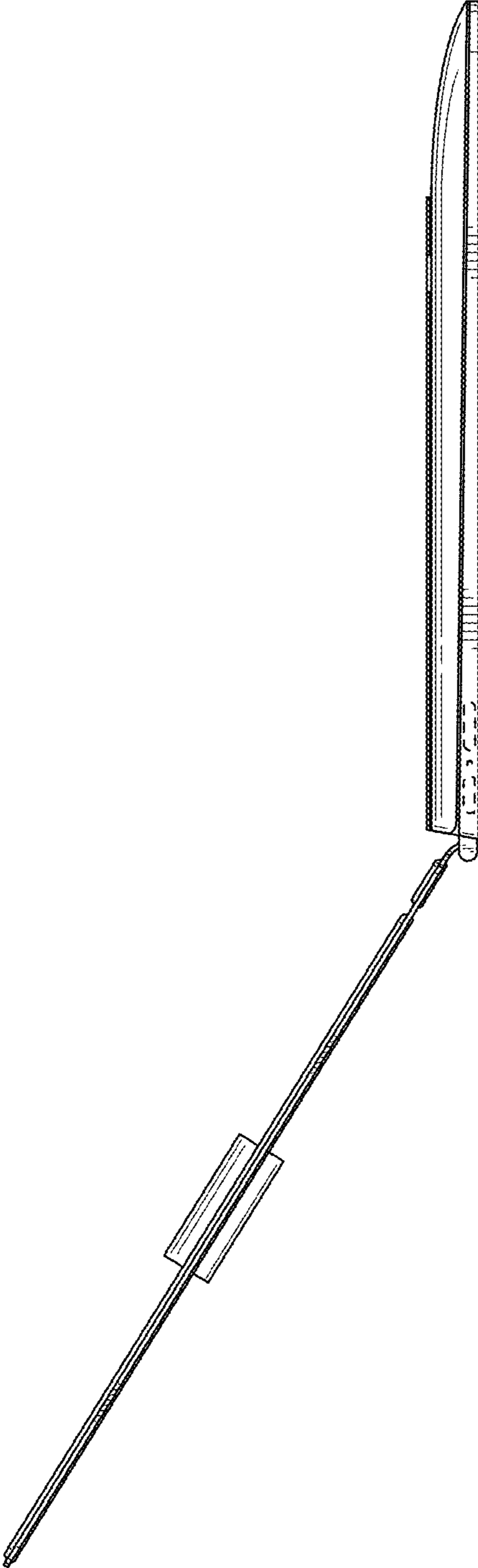


FIG. 5

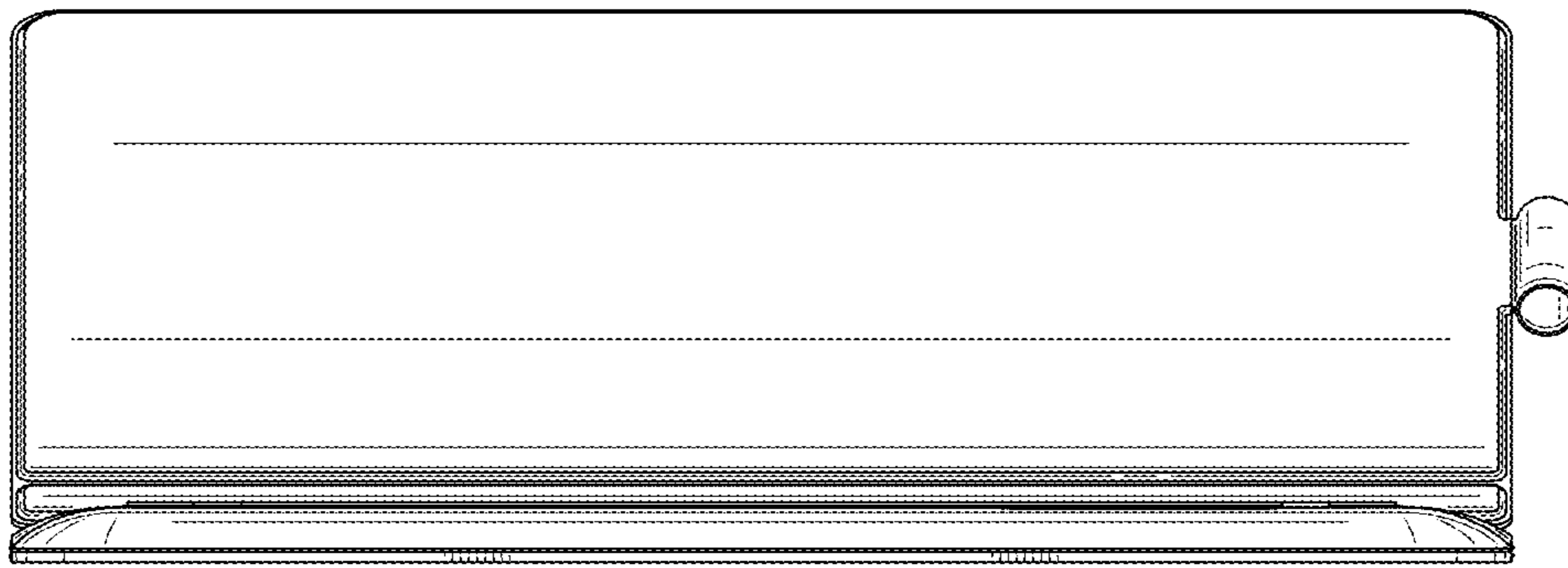


FIG. 6



FIG. 7