

US00D768637S

(12) **United States Design Patent** (10) **Patent No.:** **US D768,637 S**  
**Akana et al.** (45) **Date of Patent:** **\*\* Oct. 11, 2016**

(54) **HOUSING FOR ELECTRONIC DEVICE**

(71) Applicant: **Apple Inc.**, Cupertino, CA (US)

(72) Inventors: **Jody Akana**, San Francisco, CA (US); **Bartley K. Andre**, Palo Alto, CA (US); **Shota Aoyagi**, San Francisco, CA (US); **Anthony Michael Ashcroft**, San Francisco, CA (US); **Jeremy Bataillou**, San Francisco, CA (US); **Daniel J. Coster**, San Francisco, CA (US); **Daniele De Iuliis**, San Francisco, CA (US); **M. Evans Hankey**, San Francisco, CA (US); **Matthew David Hill**, Santa Clara, CA (US); **Julian Hoenig**, San Francisco, CA (US); **Richard P. Howarth**, San Francisco, CA (US); **Jonathan P. Ive**, San Francisco, CA (US); **Duncan Robert Kerr**, San Francisco, CA (US); **Scott A. Myers**, San Francisco, CA (US); **David A. Pakula**, San Francisco, CA (US); **Matthew Dean Rohrbach**, San Francisco, CA (US); **Peter Russell-Clarke**, San Francisco, CA (US); **Benjamin Andrew Shaffer**, San Jose, CA (US); **Mikael Silvano**, San Francisco, CA (US); **Christopher J. Stringer**, Woodside, CA (US); **Eugene Antony Whang**, San Francisco, CA (US); **Michael Benjamin Wittenberg**, Sunnyvale, CA (US); **Rico Zörkendörfer**, San Francisco, CA (US)

(73) Assignee: **Apple Inc.**, Cupertino, CA (US)

(\*\*) Term: **14 Years**

(21) Appl. No.: **29/501,655**

(22) Filed: **Sep. 5, 2014**

(51) **LOC (10) Cl.** ..... **14-02**

(52) **U.S. Cl.**  
USPC ..... **D14/439**

(58) **Field of Classification Search**

USPC ..... D14/341-347, 424, 425, 432-453, 464, D14/468, 469, 471, 496, 511, 138 AA, D14/138 AD, 138 C, 138 G, 203.1-203.8, D14/217, 238.1, 248, 250, 257, 299; 361/679.01, 679.02, 679.03, 679.3, 361/679.55, 679.56; 455/550.1, 556.1, 455/556.2, 575.1, 575.3-575.5, 575.8, 90.3  
CPC .. H04M 1/0277; H04M 1/0202; H04M 1/02; H04B 1/3838

See application file for complete search history.

(56) **References Cited**

U.S. PATENT DOCUMENTS

D114,891 S 5/1939 Fogel  
D191,070 S 8/1961 McCreery

(Continued)

OTHER PUBLICATIONS

Design U.S. Appl. No. 29/452,631, filed Apr. 18, 2013.

(Continued)

*Primary Examiner* — Austin Murphy

(74) *Attorney, Agent, or Firm* — Sterne, Kessler, Goldstein & Fox P.L.L.C.

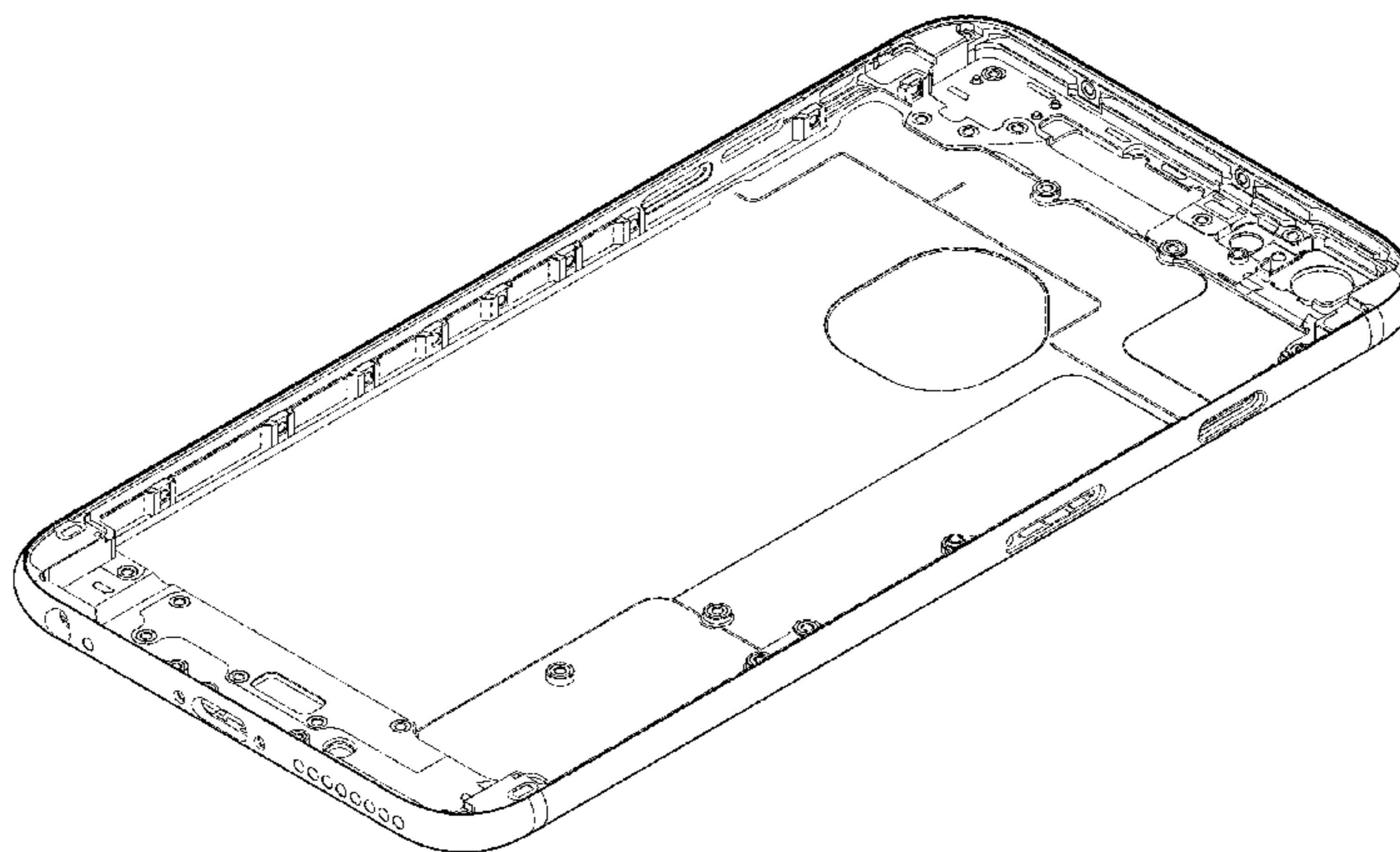
(57) **CLAIM**

The ornamental design for a housing for electronic device, as shown and described.

**DESCRIPTION**

FIG. 1 is a front perspective view of a housing of electronic device showing our new design; FIG. 2 is a front view thereof; FIG. 3 is a rear view thereof; FIG. 4 is a left side view thereof; FIG. 5 is a right side view thereof; FIG. 6 is a top view thereof; and, FIG. 7 is a bottom view thereof.

**1 Claim, 5 Drawing Sheets**



(56)

References Cited

U.S. PATENT DOCUMENTS

D411,448 S 6/1999 Baker  
 D556,681 S 12/2007 Kim  
 D574,819 S 8/2008 Andre et al.  
 D575,056 S 8/2008 Tan  
 7,697,281 B2 4/2010 Dabov et al.  
 D619,361 S 7/2010 Andre et al.  
 D622,716 S 8/2010 Andre et al.  
 D623,180 S 9/2010 Diebel  
 D624,403 S 9/2010 Hansen et al.  
 7,796,381 B2 9/2010 Zuo et al.  
 D624,815 S 10/2010 Hansen et al.  
 D625,524 S 10/2010 Schwartz et al.  
 D647,519 S 10/2011 Rothbaum et al.  
 D648,718 S 11/2011 Andre et al.  
 D662,503 S 6/2012 Akana et al.  
 8,250,724 B2 8/2012 Dabov et al.  
 D677,664 S \* 3/2013 Akana ..... D14/439  
 D681,032 S 4/2013 Akana et al.  
 D697,068 S \* 1/2014 Andre ..... D14/439

D697,511 S \* 1/2014 Andre ..... H01Q 1/243  
 D14/439  
 D697,918 S \* 1/2014 Akana ..... D14/439  
 D699,717 S \* 2/2014 Akana ..... D14/250  
 D718,753 S 12/2014 Akana et al.  
 D723,567 S \* 3/2015 Akana ..... D14/439  
 D729,809 S \* 5/2015 Akana ..... D14/439  
 D730,361 S \* 5/2015 Akana ..... D14/439  
 D732,539 S \* 6/2015 Akana ..... D14/439  
 D733,146 S \* 6/2015 Akana ..... D14/439  
 D735,726 S \* 8/2015 Chen ..... D14/432  
 D747,319 S \* 1/2016 Lee ..... D14/439  
 D747,723 S \* 1/2016 Kim ..... D14/439  
 D749,590 S \* 2/2016 Dinh ..... D14/439  
 D749,591 S \* 2/2016 Akana ..... D14/439  
 2010/0146766 A1 6/2010 Dabov et al.

OTHER PUBLICATIONS

Design U.S. Appl. No. 29/423,181, filed May 29, 2012.  
 Design U.S. Appl. No. 29/466,515, filed Sep. 9, 2013.

\* cited by examiner

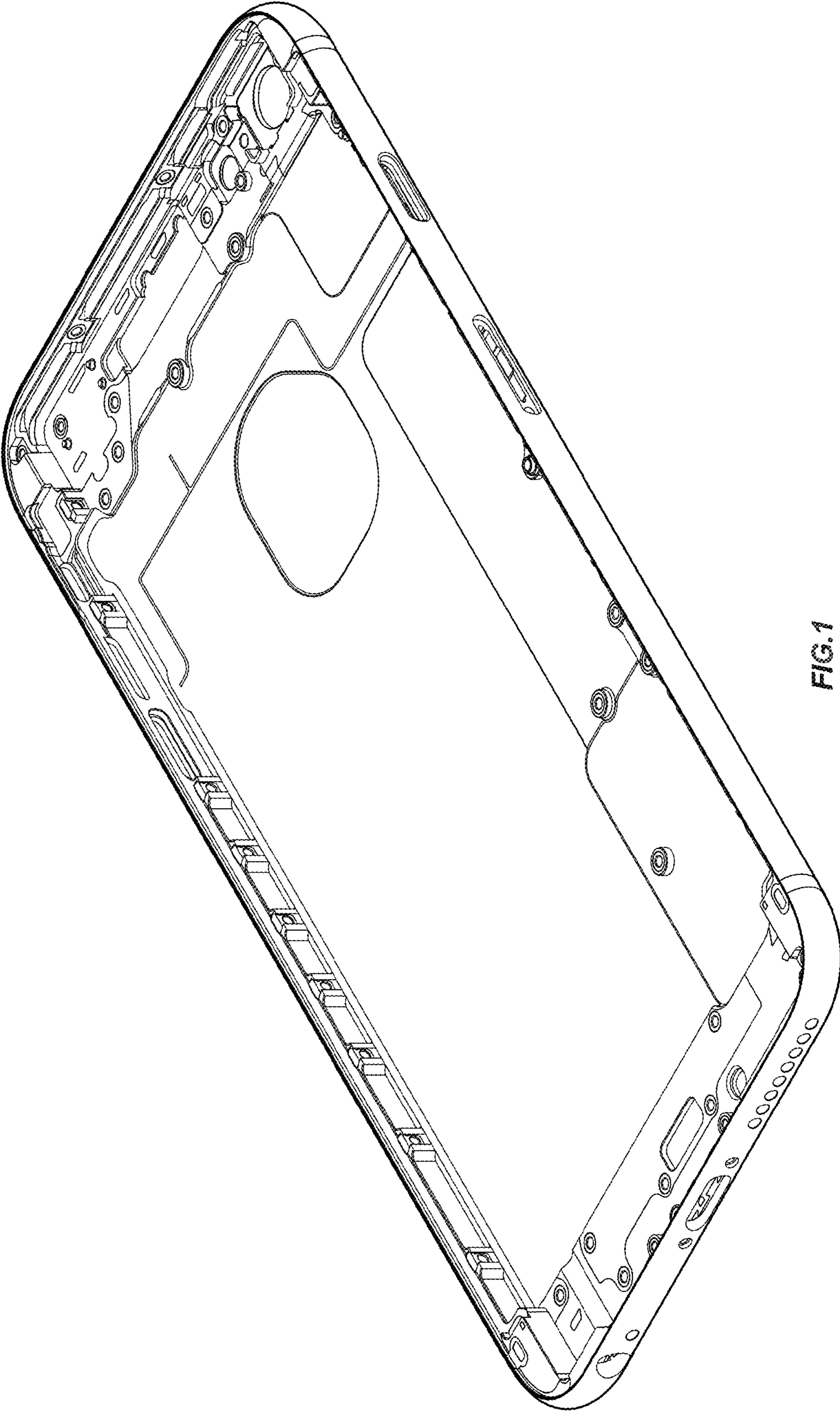


FIG. 1

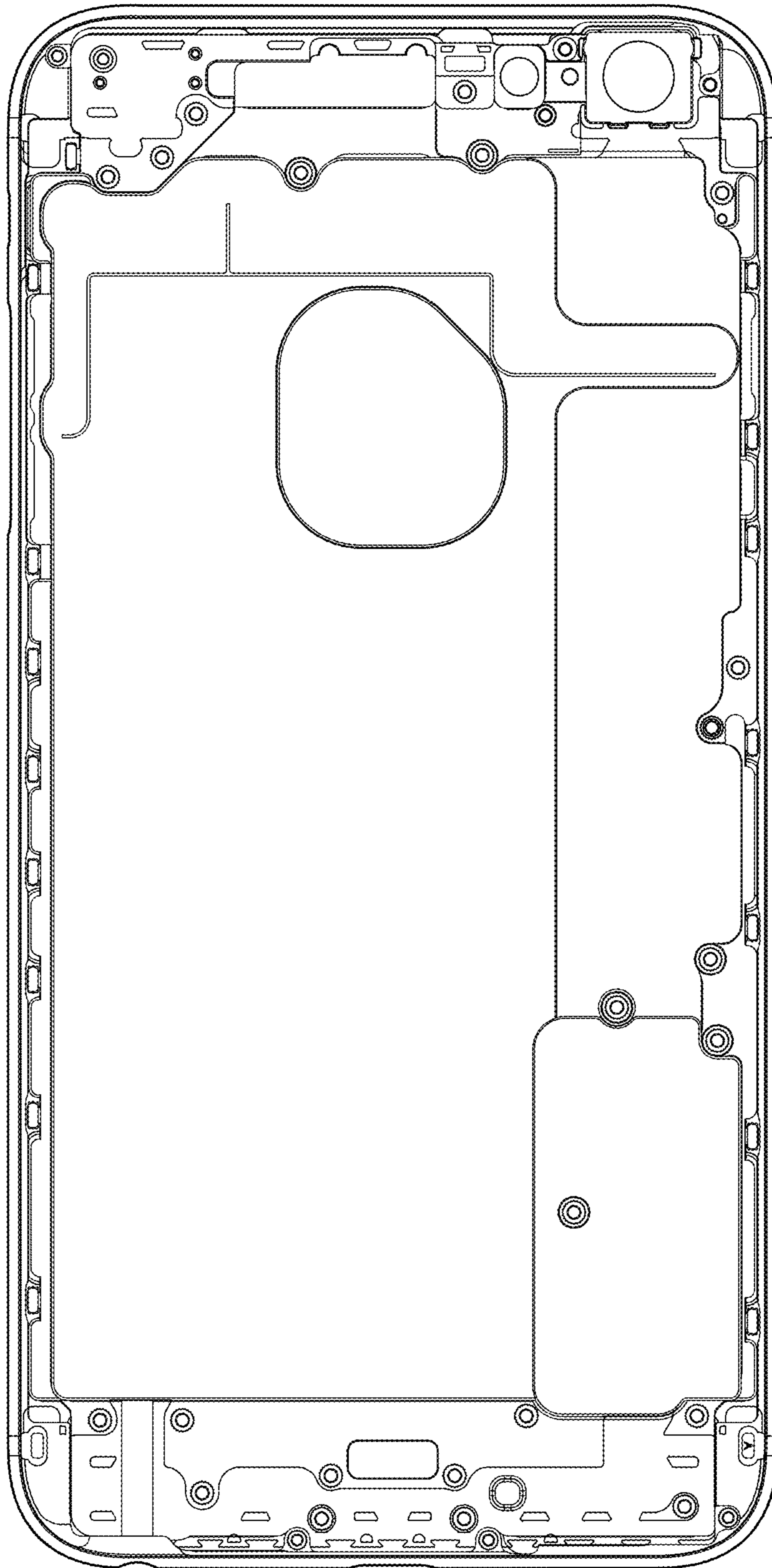


FIG.2

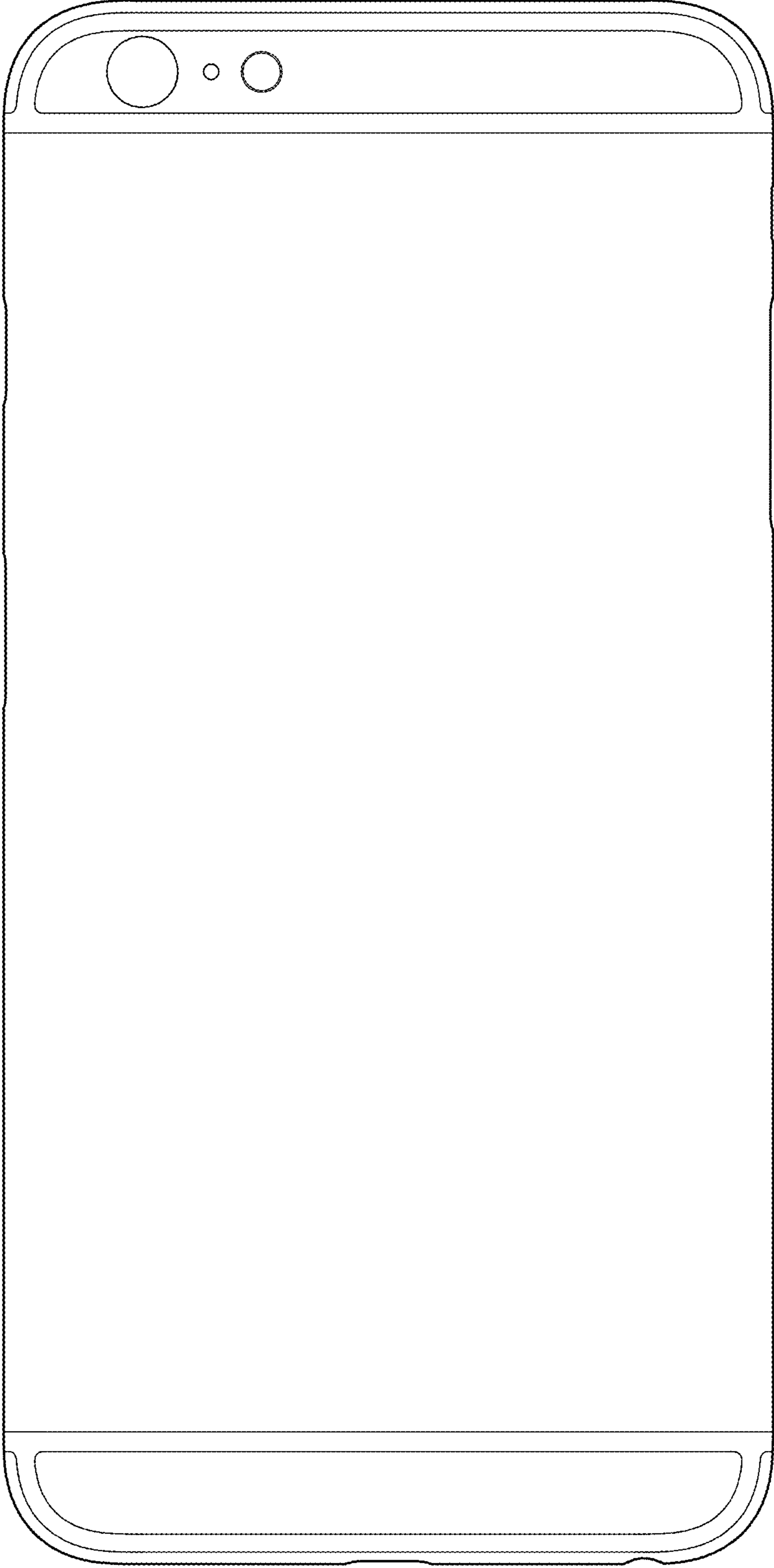


FIG.3

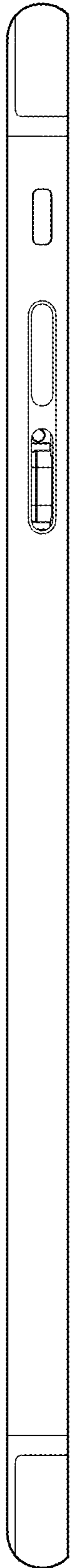


FIG. 4



FIG. 5

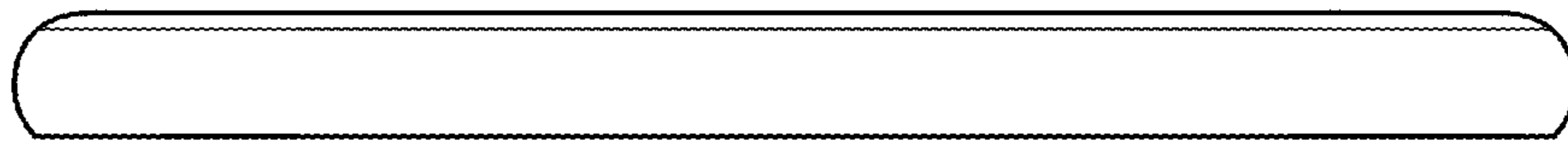


FIG. 6

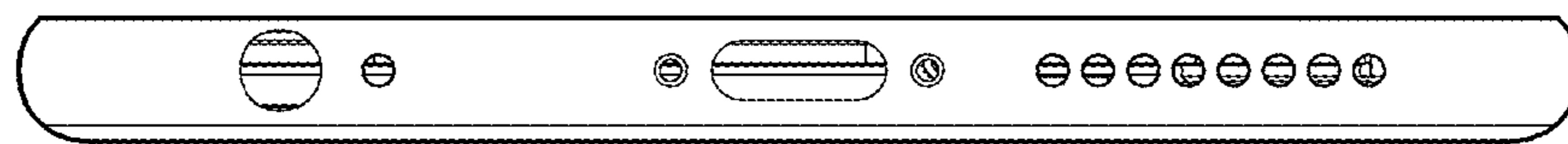


FIG. 7

UNITED STATES PATENT AND TRADEMARK OFFICE  
**CERTIFICATE OF CORRECTION**

PATENT NO. : D768,637 S  
APPLICATION NO. : 29/501655  
DATED : October 11, 2016  
INVENTOR(S) : Akana et al.

Page 1 of 1

It is certified that error appears in the above-identified patent and that said Letters Patent is hereby corrected as shown below:

On the Title Page

Below item (57), in the DESCRIPTION section, replace "FIG. 1 is a front perspective view of a housing of electronic device showing our new design;" with --FIG. 1 is a front perspective view of a housing for electronic device showing our new design;--.

Signed and Sealed this  
Twenty-third Day of January, 2018



Joseph Matal

*Performing the Functions and Duties of the  
Under Secretary of Commerce for Intellectual Property and  
Director of the United States Patent and Trademark Office*