



US00D768636S

(12) **United States Design Patent**
Sato et al.

(10) **Patent No.:** **US D768,636 S**
(45) **Date of Patent:** **** Oct. 11, 2016**

(54) **CONNECTOR**

(71) Applicant: **IRISO ELECTRONICS CO., LTD.**,
Yokohama, Kanagawa (JP)

(72) Inventors: **Katsumasa Sato**, Kanagawa (JP);
Hiroaki Kobayashi, Kanagawa (JP);
Yoshiyuki Ogura, Kanagawa (JP); **Koji**
Kuniyoshii, Kanagawa (JP)

(73) Assignee: **IRISO ELECTRONICS CO., LTD.**,
Yokohama, Kanagawa (JP)

(**) Term: **15 Years**

(21) Appl. No.: **29/530,766**

(22) Filed: **Jun. 19, 2015**

(30) **Foreign Application Priority Data**

Dec. 19, 2014 (JP) 2014-028528

(51) **LOC (10) Cl.** **14-02**

(52) **U.S. Cl.**
USPC **D14/433**

(58) **Field of Classification Search**
USPC D14/356, 432-434, 453, 454, 511,
D14/203.8, 209.1, 238.1, 240, 125;
439/638, 928, 105, 502; 710/303, 304;
361/679.41, 679.55, 679.56; D13/110,
D13/133, 146
CPC .. G06Q 20/202; G06Q 20/322; G06Q 20/32;
G06Q 20/20; G06Q 20/327
See application file for complete search history.

(56) **References Cited**

U.S. PATENT DOCUMENTS

5,107,428 A * 4/1992 Bethencourt G07C 5/0808
701/29.2
D506,730 S * 6/2005 Ura D13/147
7,354,300 B2 * 4/2008 Shindo H01R 13/648
439/497

D604,725 S * 11/2009 Chen D13/184
D632,299 S * 2/2011 King D14/438
D642,129 S * 7/2011 Ohkuma D13/133
D658,192 S * 4/2012 Cullen D14/453
8,480,434 B2 * 7/2013 Funayama H01R 12/716
439/637
D689,435 S * 9/2013 Sekine D13/133
D727,906 S * 4/2015 Neumann D14/358
D732,536 S * 6/2015 Kang D14/433
D738,360 S * 9/2015 Papon D14/240
9,160,105 B2 * 10/2015 Takaki H01R 12/716
D743,398 S * 11/2015 Smith D14/433
D745,526 S * 12/2015 Takano D14/474
9,225,089 B2 * 12/2015 Sato H01R 4/028
2012/0289093 A1 * 11/2012 Ogura H01R 12/88
439/629
2015/0340788 A1 * 11/2015 Sakaue H01R 24/60
439/676
2016/0111804 A1 * 4/2016 Saito H01R 4/48
439/733.1

* cited by examiner

Primary Examiner — Austin Murphy

(74) *Attorney, Agent, or Firm* — Buchanan Ingersoll &
Rooney PC

(57) **CLAIM**

The ornamental design for a connector, as shown.

DESCRIPTION

FIG. 1 is a front elevational view of a connector showing our new design; a rear elevational view thereof being a same image;
FIG. 2 is a right side elevational view thereof; a left side elevational view thereof being a mirror image;
FIG. 3 is a top plan view thereof;
FIG. 4 is a bottom plan view thereof; and,
FIG. 5 is a perspective view thereof.
FIG. 6 is an enlarged cross-sectional view thereof taken along the line 6-6 in FIG. 1; and,
FIG. 7 is an enlarged cross-sectional view thereof taken along the line 7-7 in FIG. 3.

1 Claim, 7 Drawing Sheets

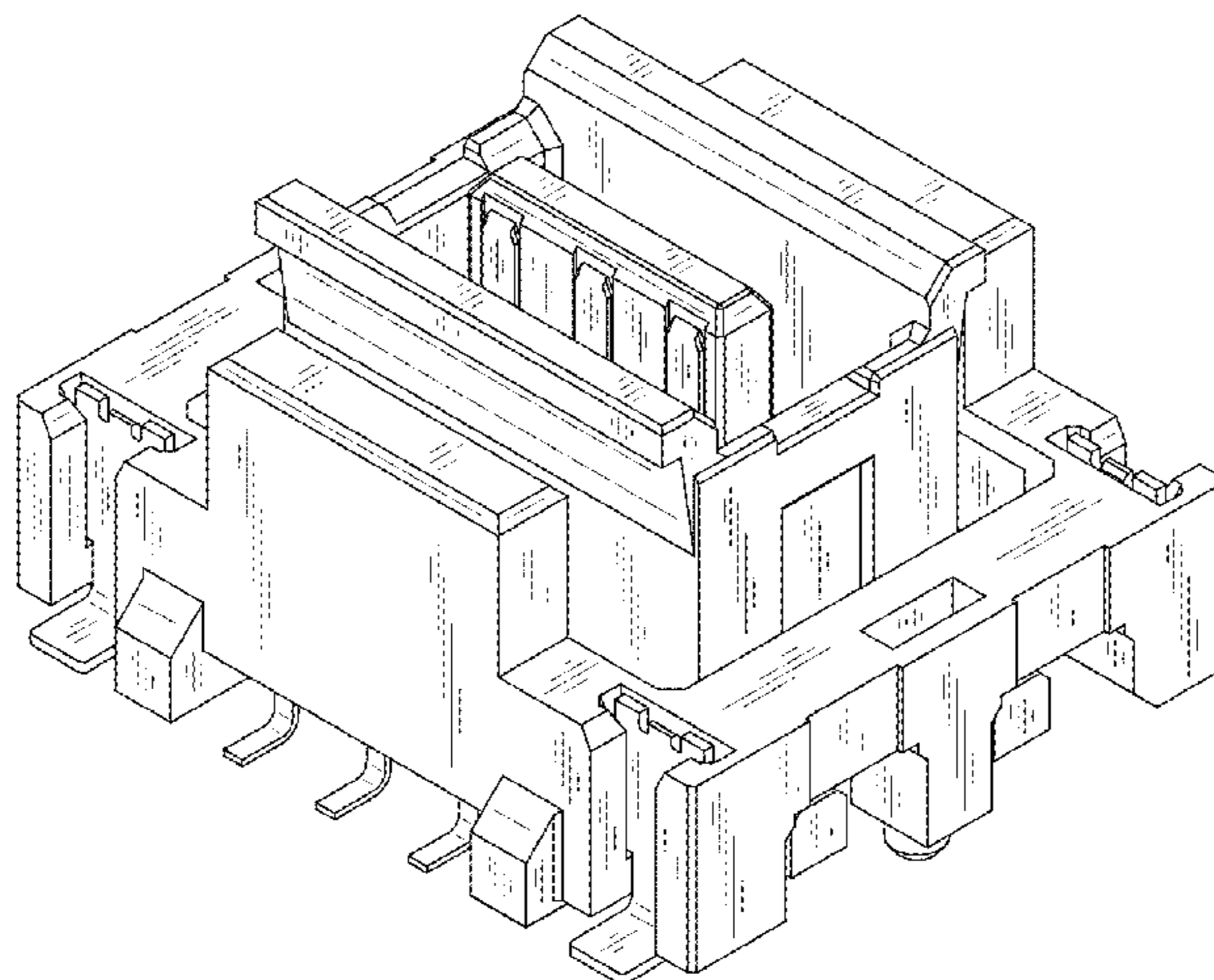


Fig. 1

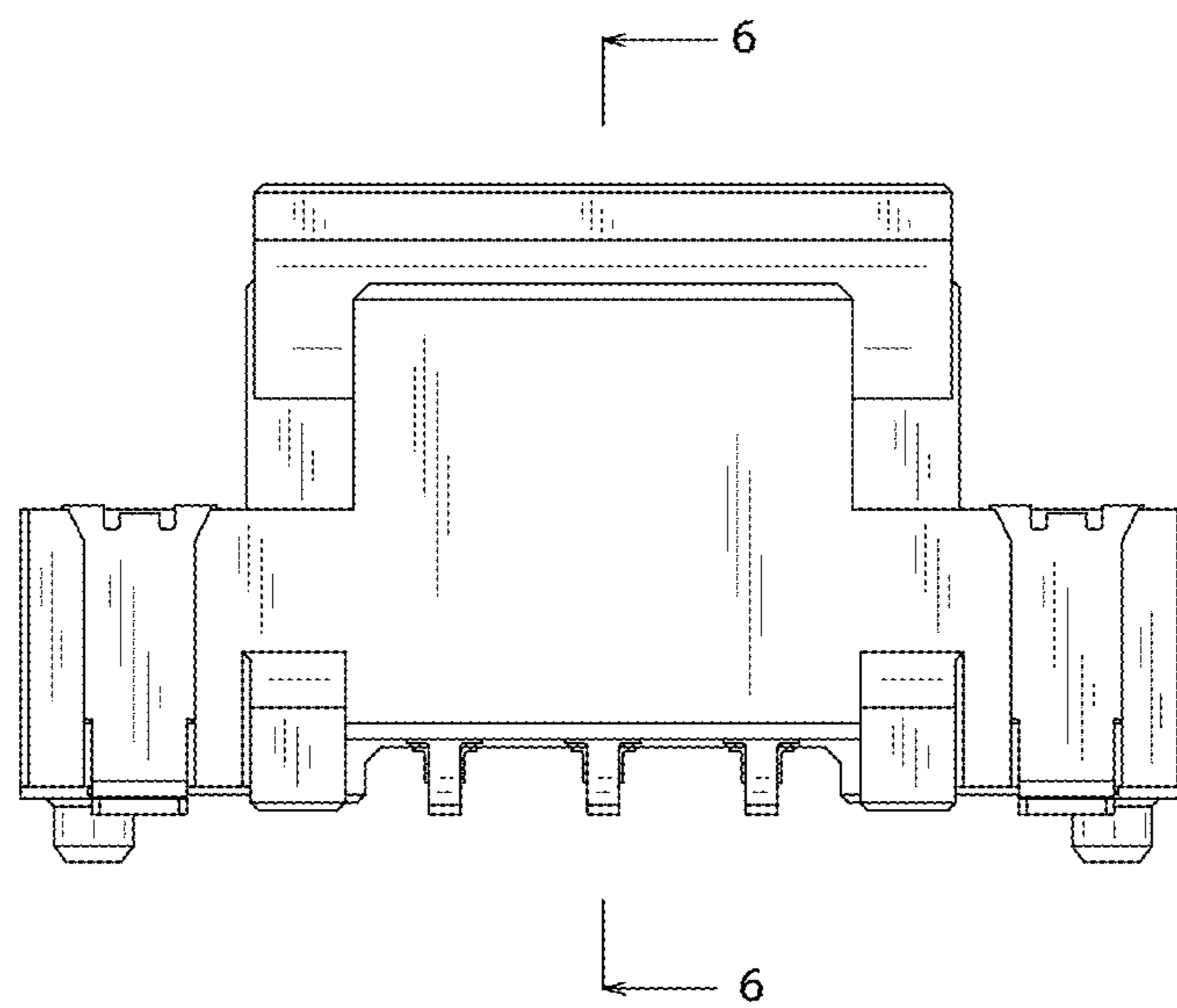


Fig. 2

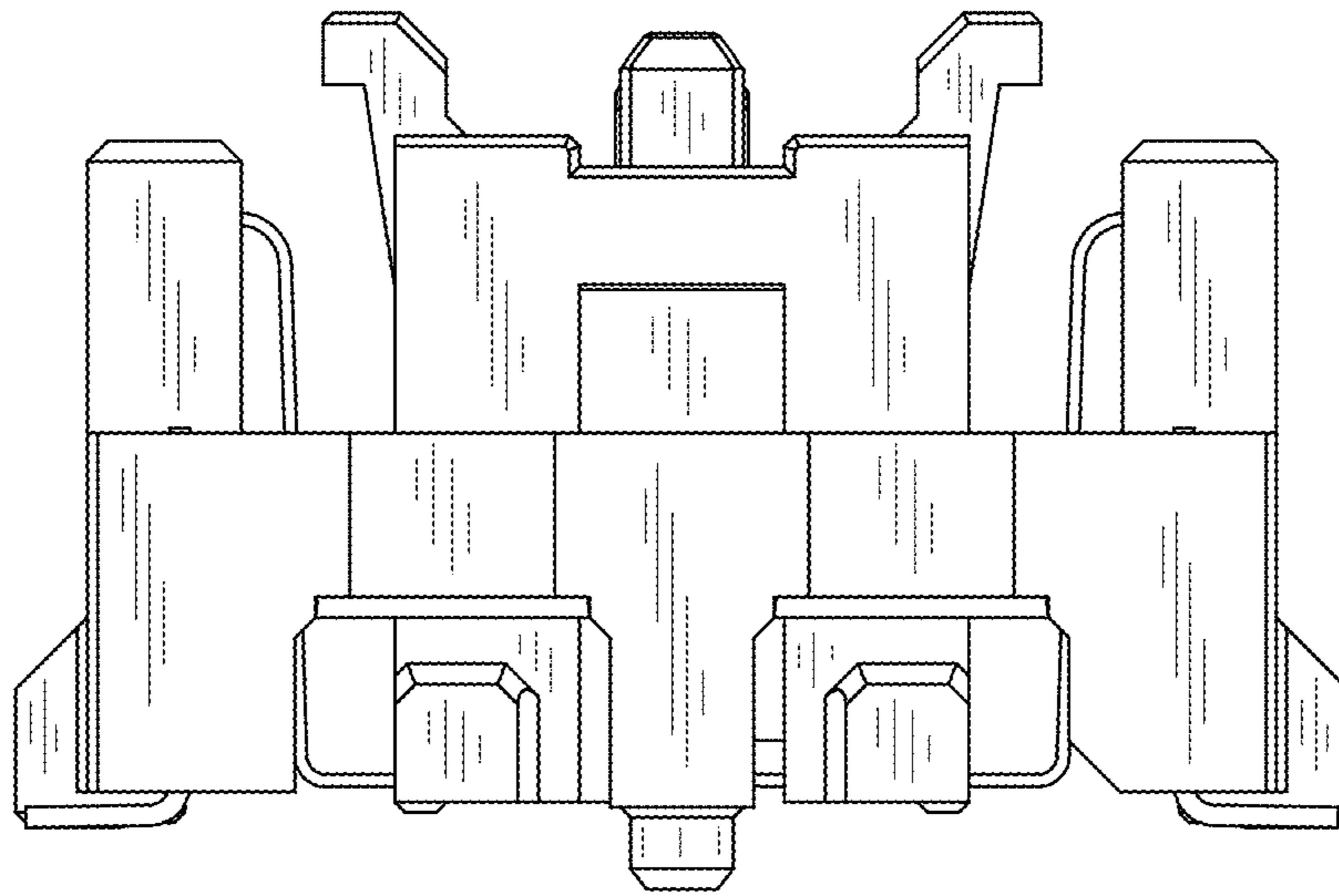


Fig. 3

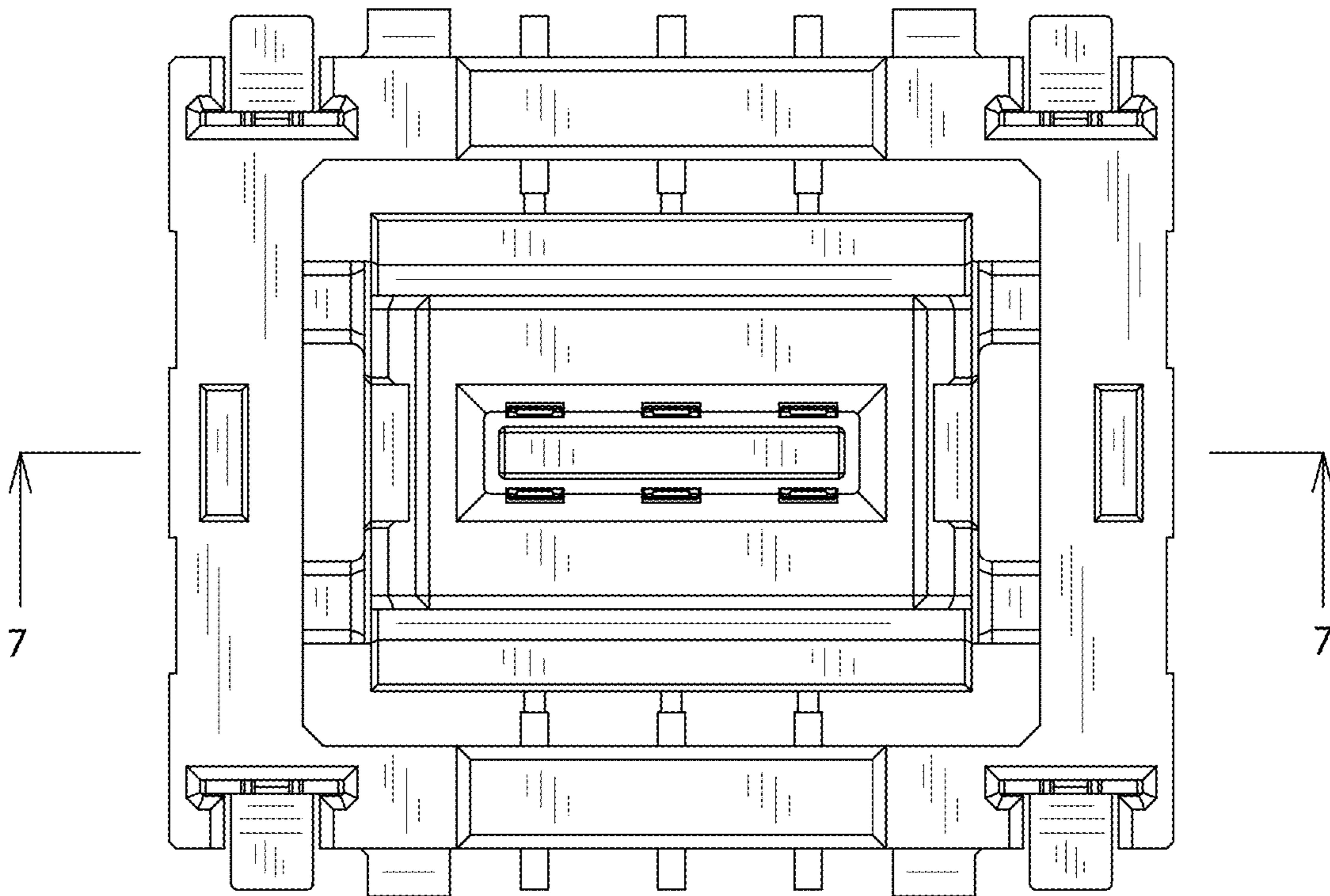


Fig. 4

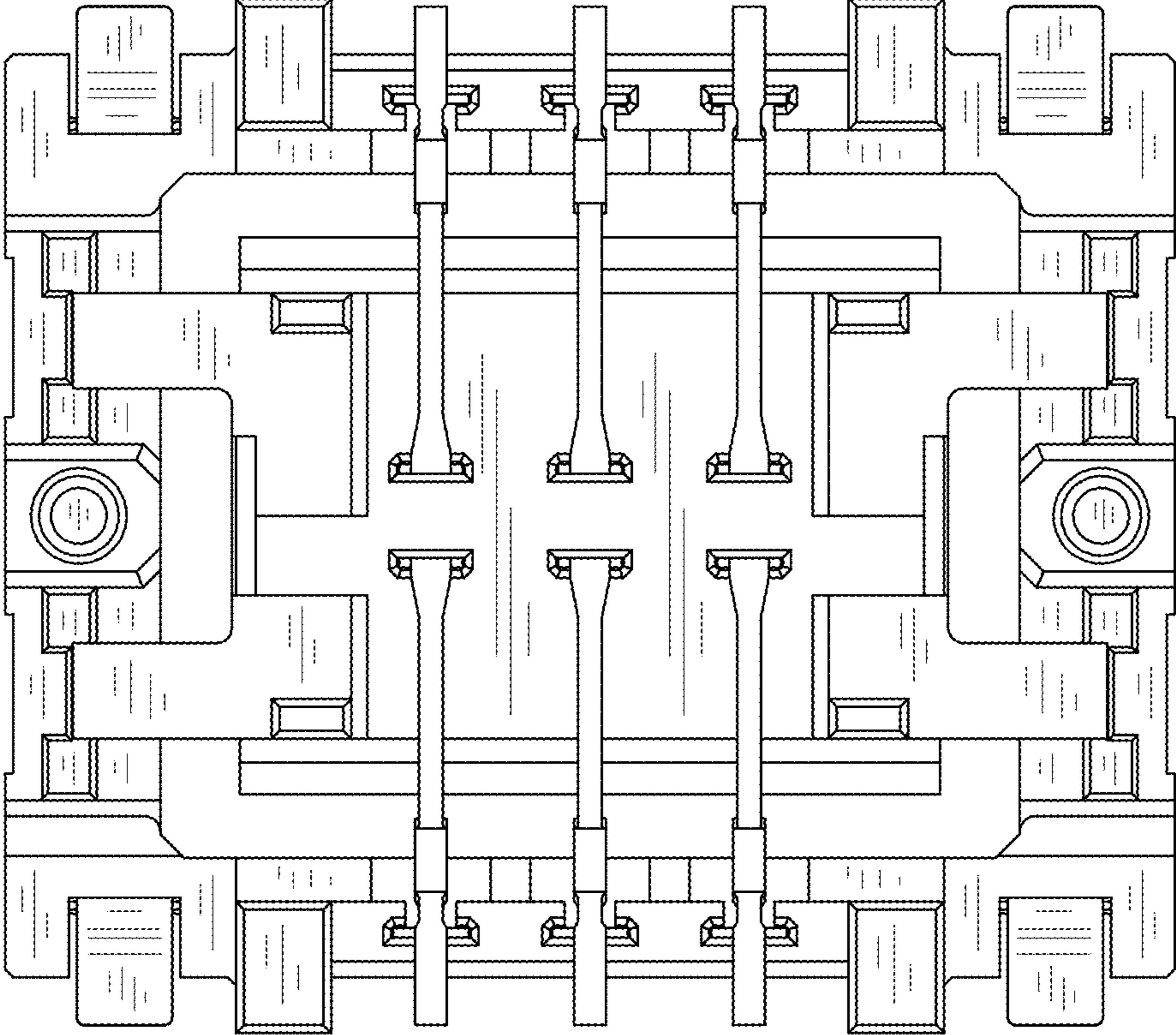


Fig. 5

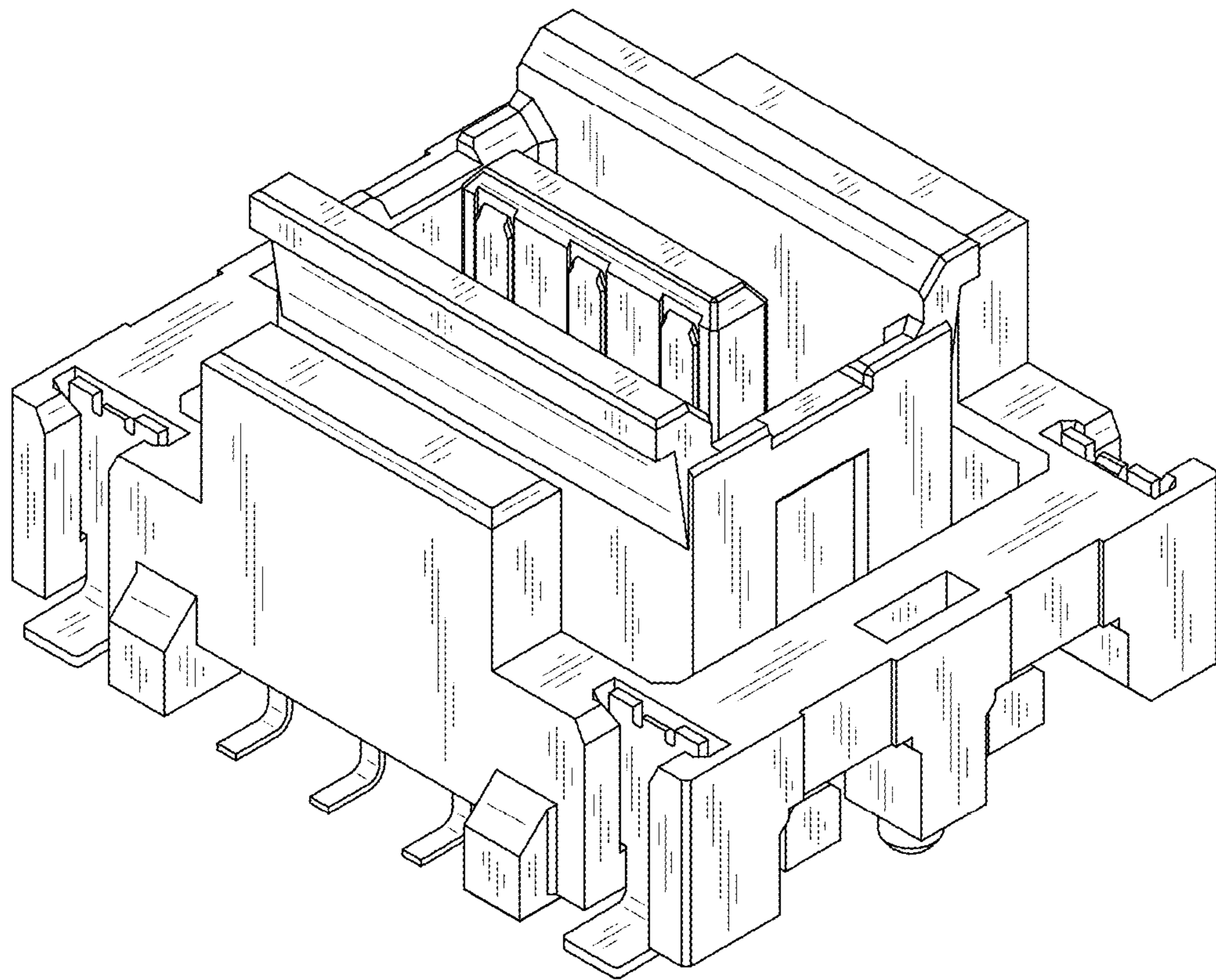


Fig. 6

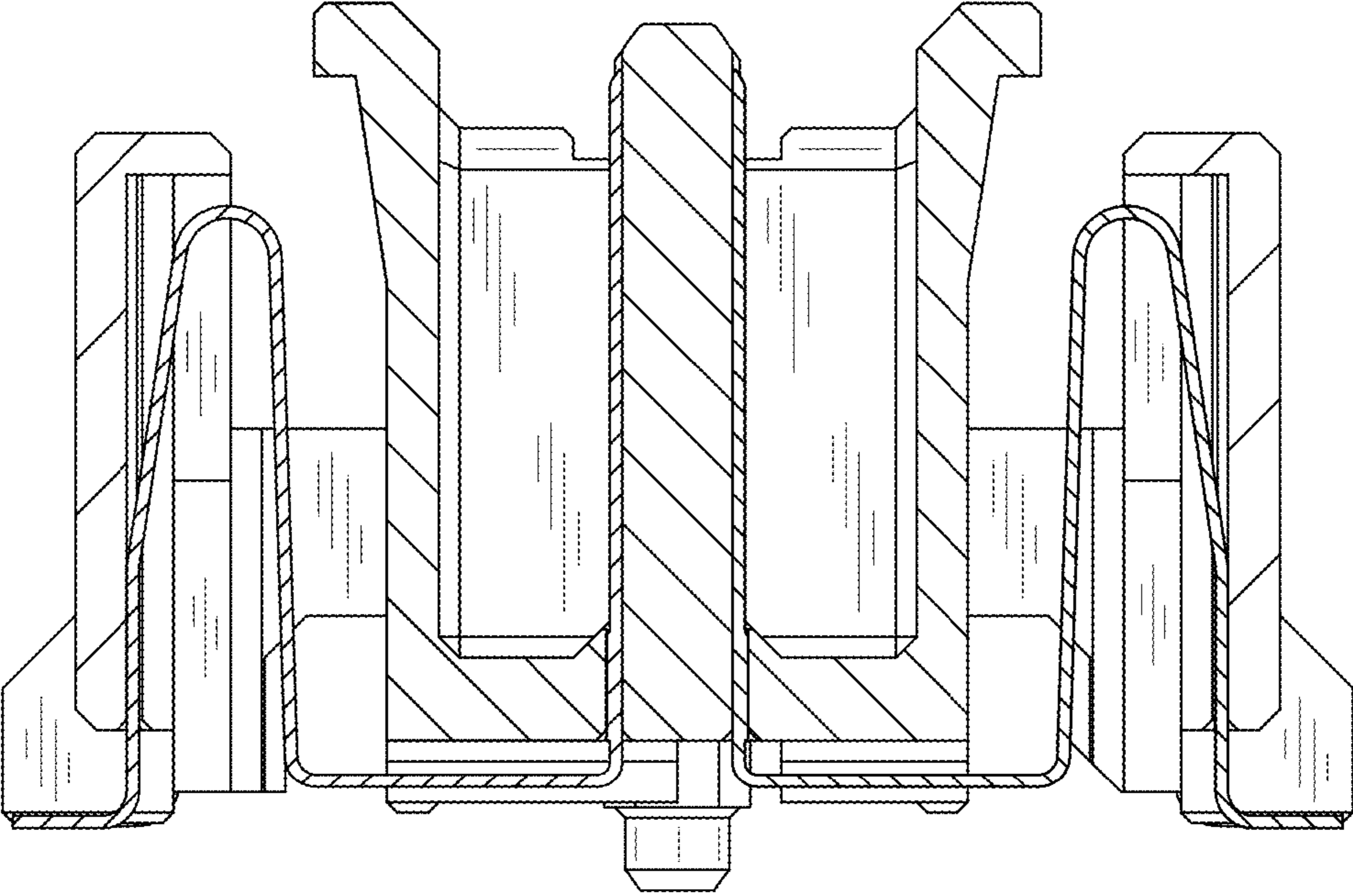


Fig. 7

