



US00D768635S

(12) **United States Design Patent** (10) **Patent No.:** **US D768,635 S**  
**Due** (45) **Date of Patent:** **\*\* Oct. 11, 2016**

(54) **DEVICE ATTACHMENT**  
(71) Applicant: **Bullz-I Inc.**, San Mateo, CA (US)  
(72) Inventor: **Eric W. Due**, San Mateo, CA (US)  
(73) Assignee: **Bullz-I, Inc.**, San Mateo, CA (US)  
(\*\*) Term: **15 Years**  
(21) Appl. No.: **29/528,910**  
(22) Filed: **Jun. 2, 2015**  
(51) **LOC (10) Cl.** ..... **14-02**  
(52) **U.S. Cl.**  
USPC ..... **D14/432**  
(58) **Field of Classification Search**  
USPC ..... D14/319-321, 348, 356-368, 498,  
D14/501-503, 510; 720/617-644, 646,  
720/655-656; 360/99.19, 99.13, 98.01;  
361/679.33, 679.37  
CPC ..... G06F 1/18; G06F 1/187; G06F 1/16;  
A47B 51/00; H05K 7/1487; H05K 7/14;  
G11B 33/124  
See application file for complete search history.

D741,256 S \* 10/2015 Murphy-Reinhertz ..... D13/108  
D747,317 S \* 1/2016 Oakley ..... D14/432  
D751,558 S \* 3/2016 Lee ..... D10/103  
D755,182 S \* 5/2016 Bassett ..... D14/432

\* cited by examiner

*Primary Examiner* — Austin Murphy  
(74) *Attorney, Agent, or Firm* — GTC Law Group PC & Affiliates

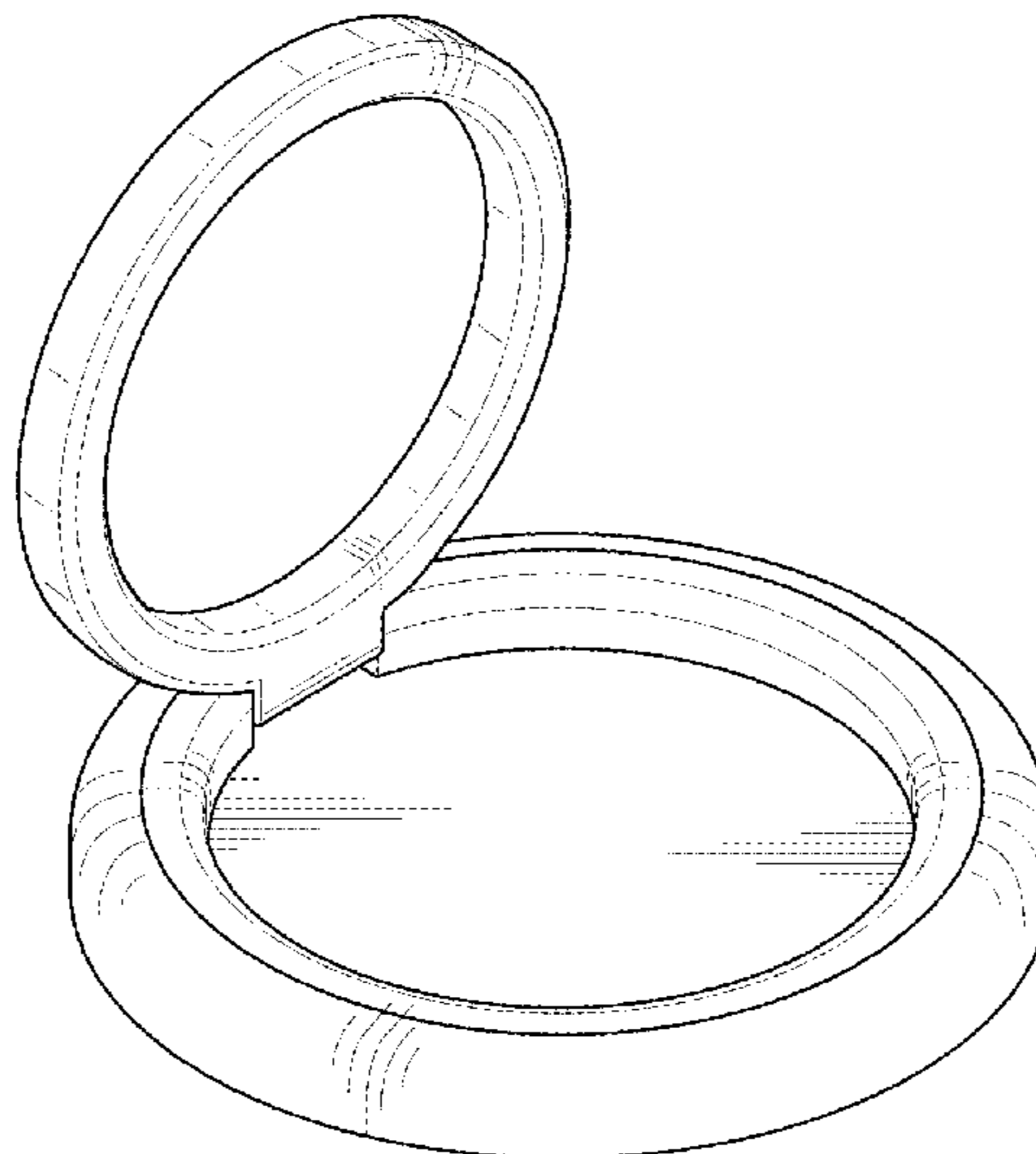
(57) **CLAIM**  
The ornamental design for a device attachment, as shown and described.

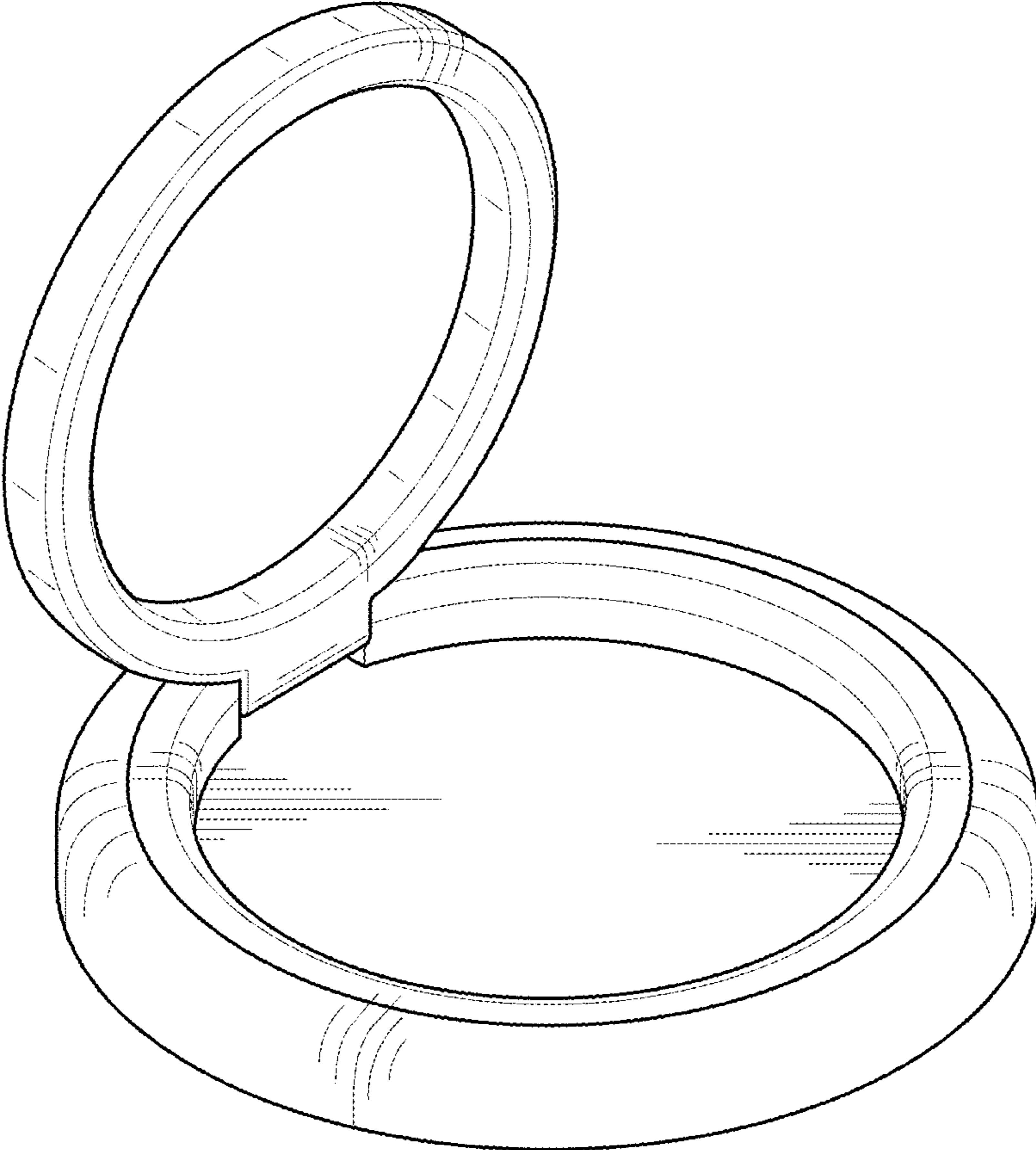
**DESCRIPTION**

FIG. 1 is an open front perspective view of our new design for a device attachment;  
FIG. 2 is an open front elevation view thereof;  
FIG. 3 is an open left side elevation view thereof;  
FIG. 4 is an open rear elevation view thereof;  
FIG. 5 is an open right side elevation view thereof;  
FIG. 6 is an open top plan view thereof;  
FIG. 7 is an open bottom plan view thereof;  
FIG. 8 is a half-open front perspective view thereof;  
FIG. 9 is a half-open left side elevation view thereof;  
FIG. 10 is a half-open front elevation view thereof;  
FIG. 11 is a half-open rear elevation view thereof;  
FIG. 12 is a half-open right side elevation view thereof;  
FIG. 13 is a half-open top plan view thereof;  
FIG. 14 is a half-open bottom plan view thereof;  
FIG. 15 is a closed front perspective view thereof;  
FIG. 16 is a closed front elevation view thereof;  
FIG. 17 is a closed left side elevation view thereof;  
FIG. 18 is a closed rear elevation view thereof;  
FIG. 19 is a closed right side elevation view thereof;  
FIG. 20 is a closed top plan view thereof; and,  
FIG. 21 is a closed bottom plan view thereof.

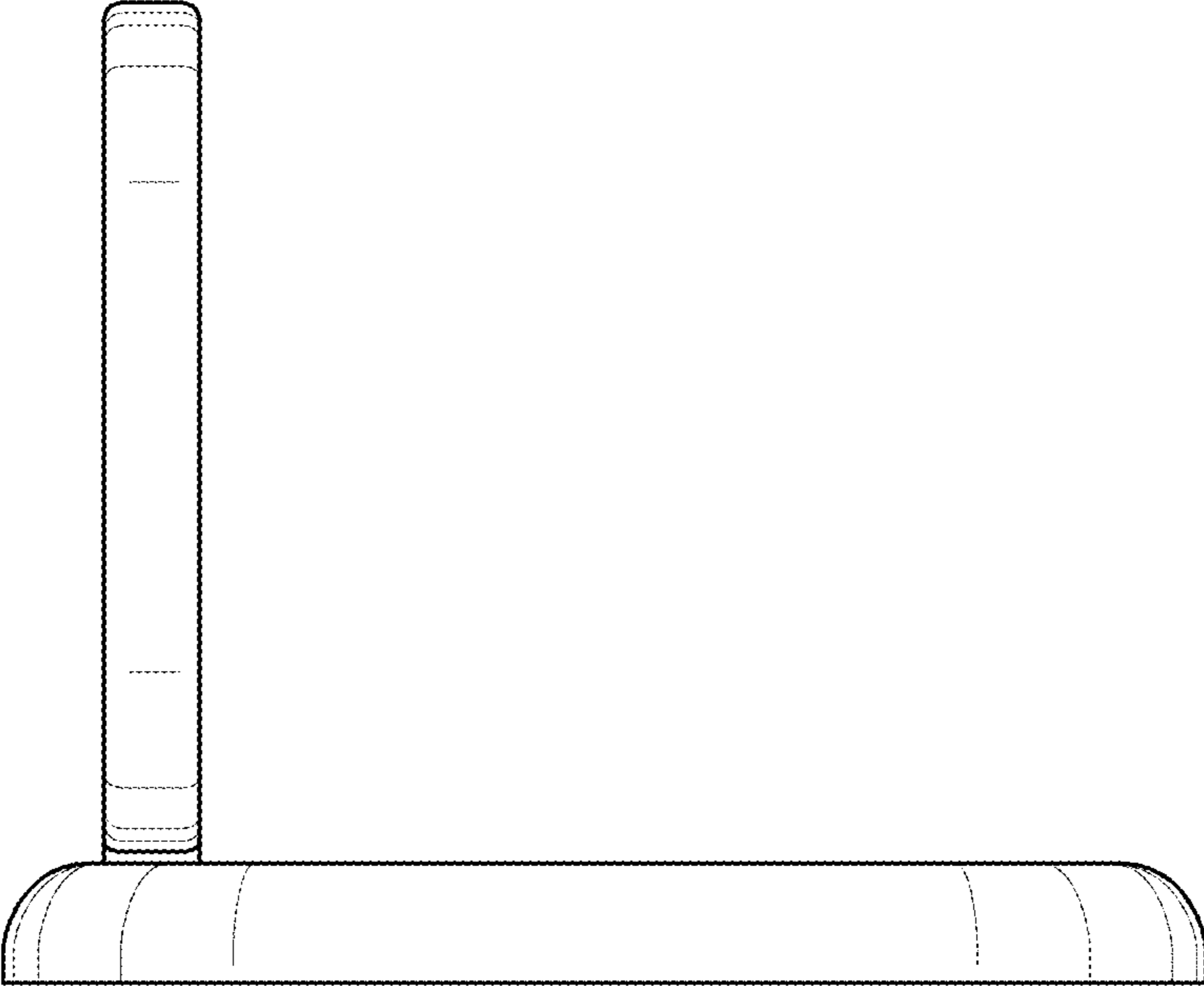
(56) **References Cited**  
U.S. PATENT DOCUMENTS  
5,786,593 A \* 7/1998 Ohtomo ..... H03M 1/287  
250/231.14  
D503,717 S \* 4/2005 Kawamura ..... D14/432  
D581,418 S \* 11/2008 Diccion ..... D14/413  
D598,919 S \* 8/2009 Takemasa ..... D14/432  
D613,291 S \* 4/2010 Carver ..... D14/218  
D613,292 S \* 4/2010 Carver ..... D14/218  
D632,949 S \* 2/2011 Rowley ..... D8/356  
D719,961 S \* 12/2014 Xiang ..... D14/447  
D729,655 S \* 5/2015 Bauer ..... D10/70  
D730,225 S \* 5/2015 Behar ..... D10/103  
D733,147 S \* 6/2015 Stevens ..... D14/439  
D737,824 S \* 9/2015 Jagadish ..... D14/432  
D740,750 S \* 10/2015 Mayden ..... D13/108

**1 Claim, 11 Drawing Sheets**

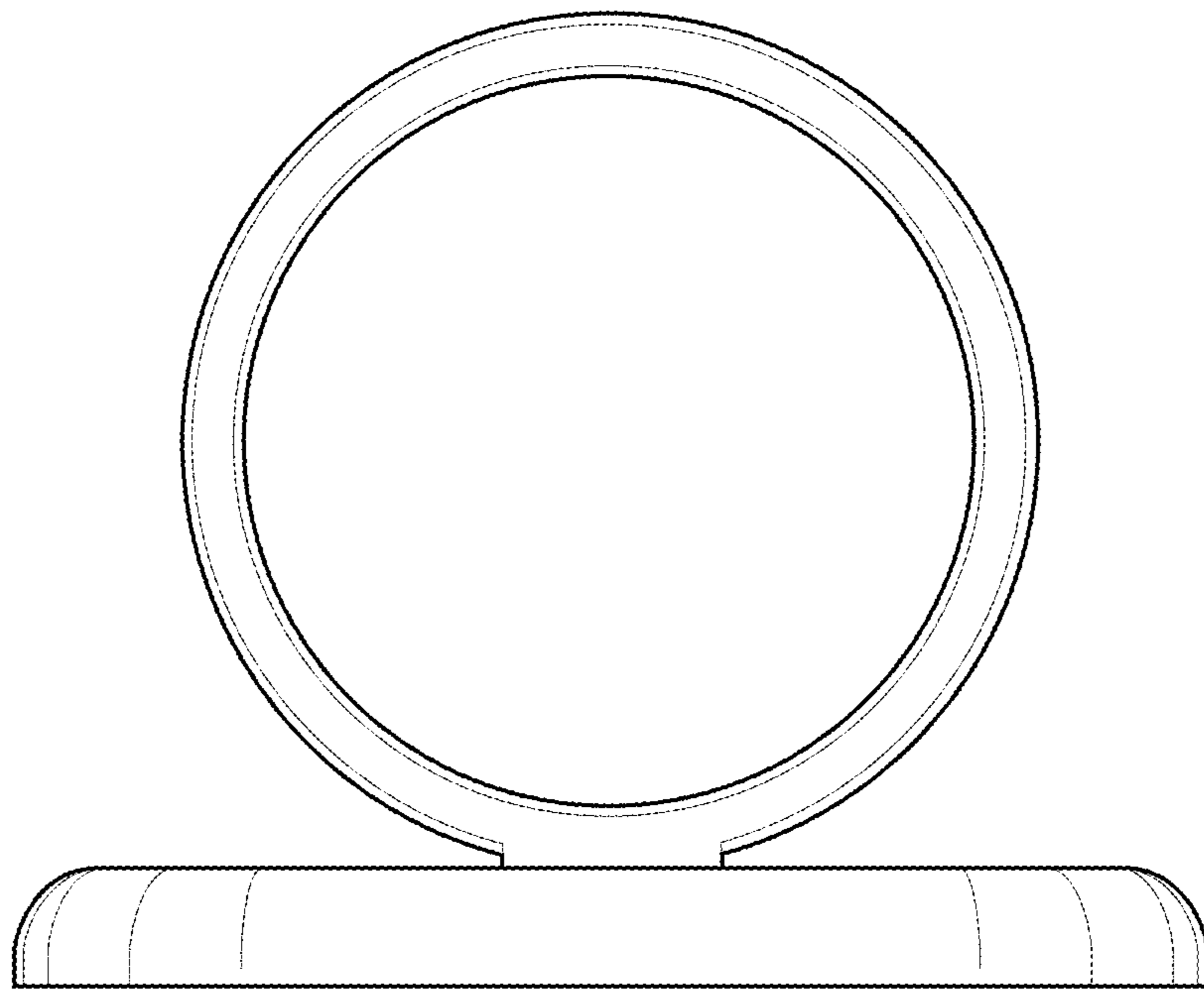




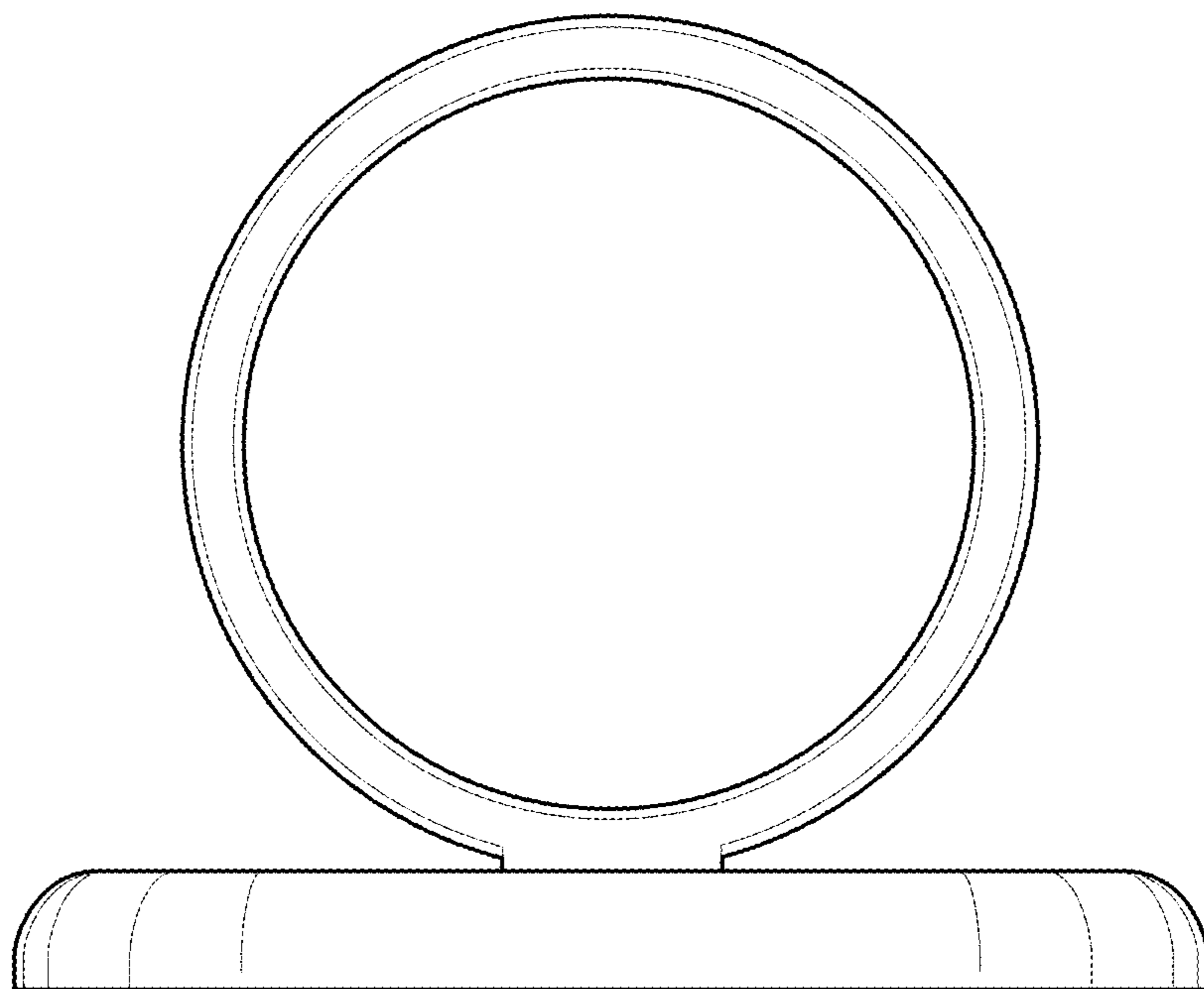
**FIG. 1**



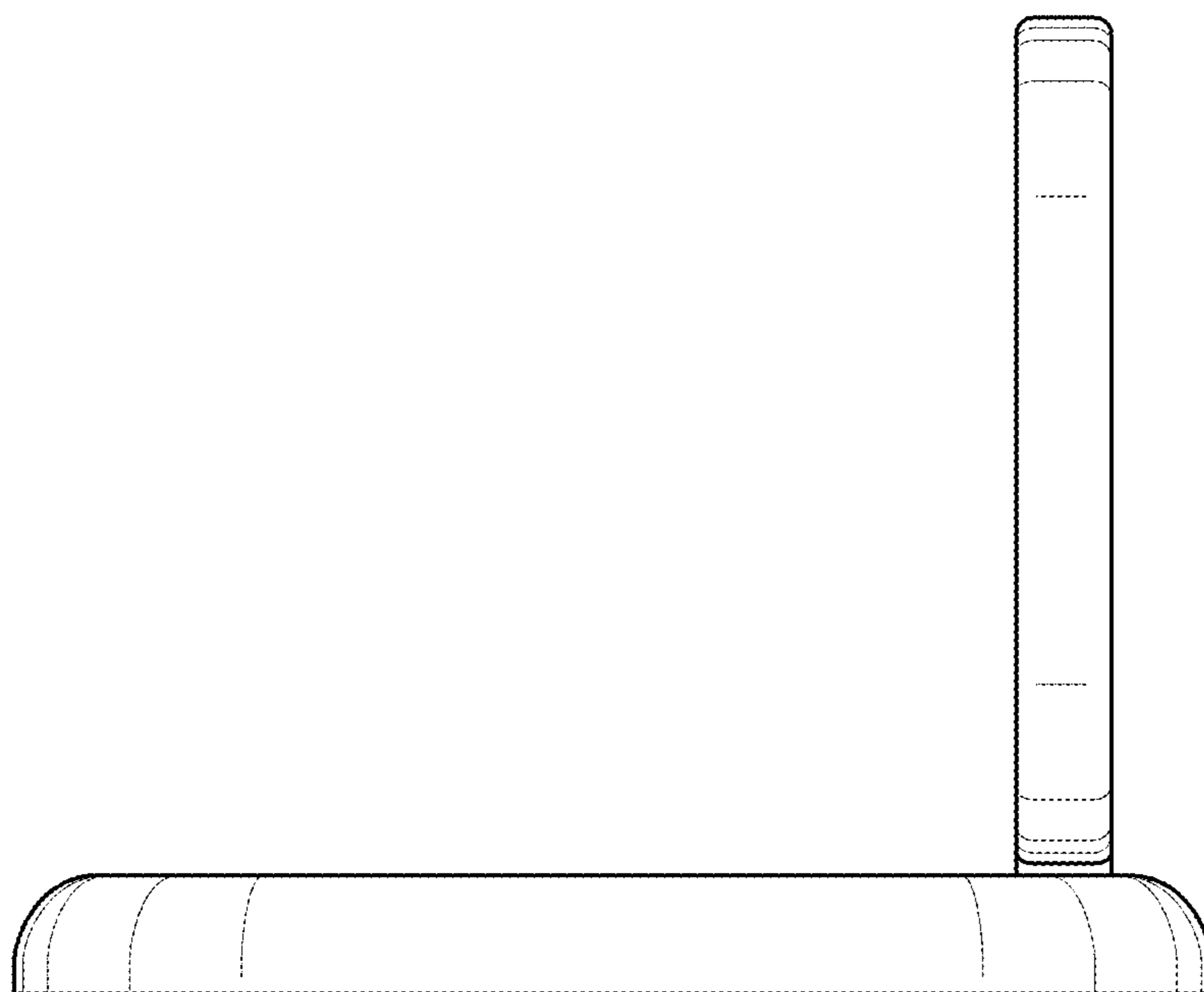
**FIG. 2**



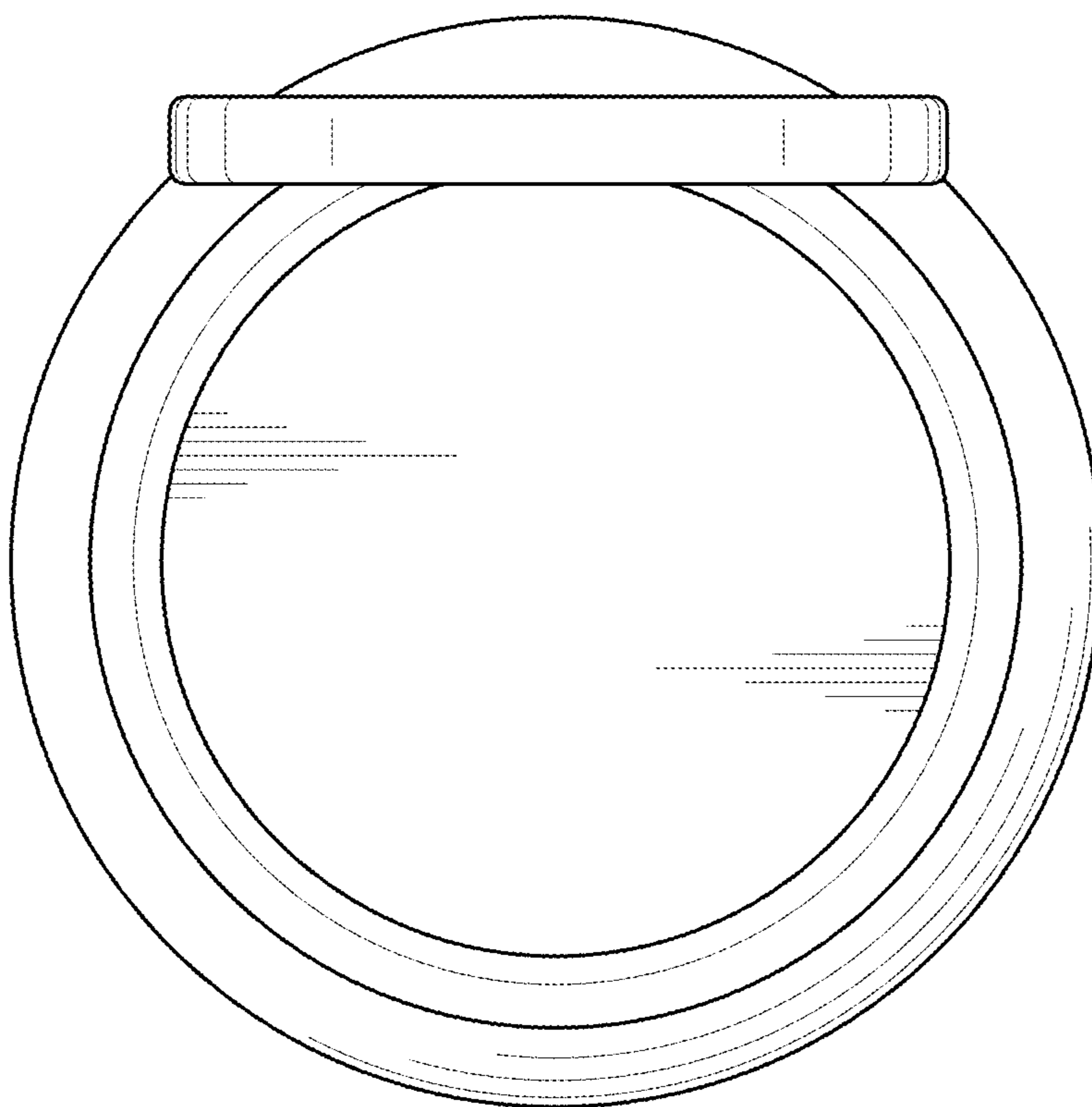
**FIG. 3**



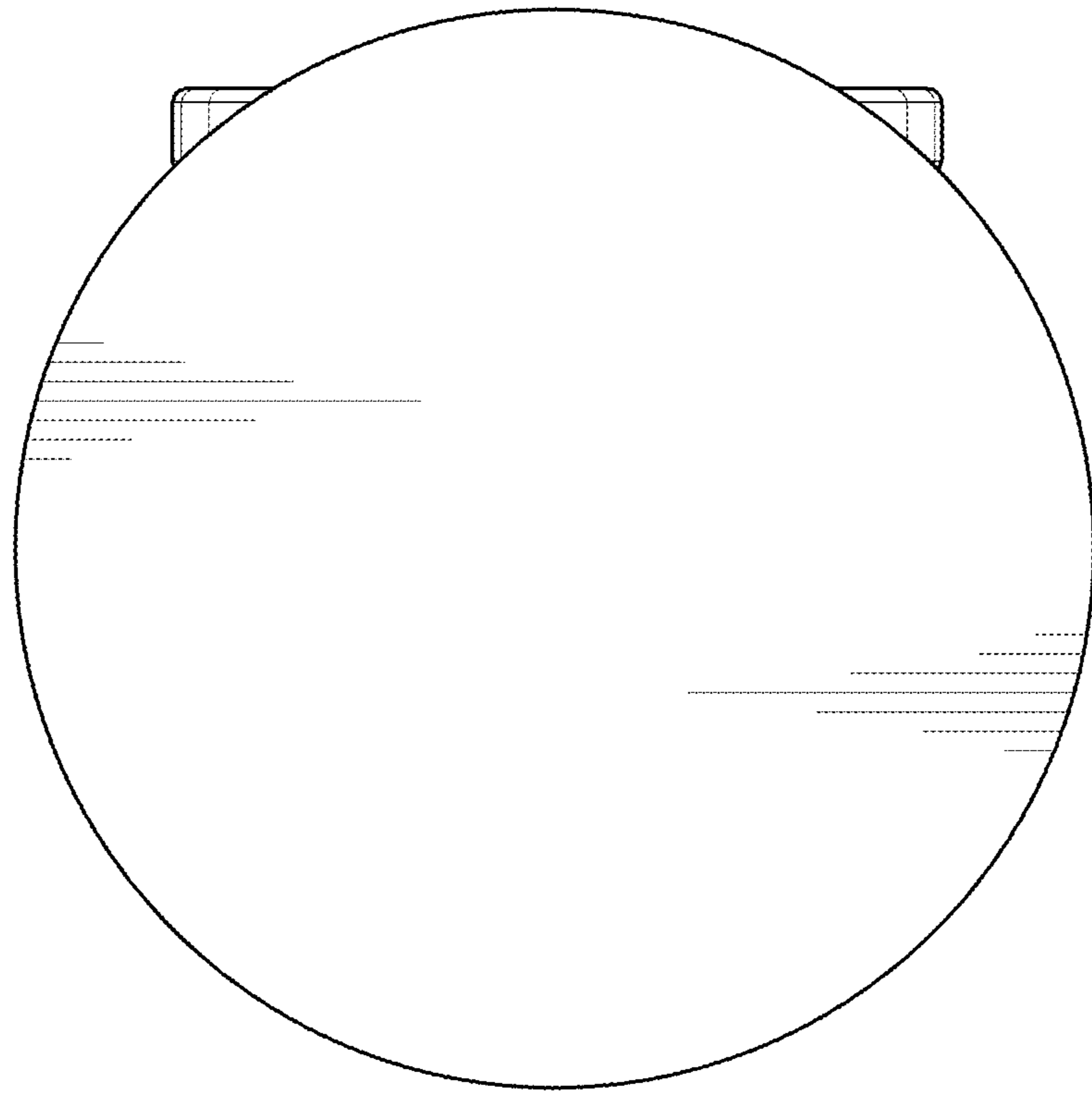
**FIG. 4**



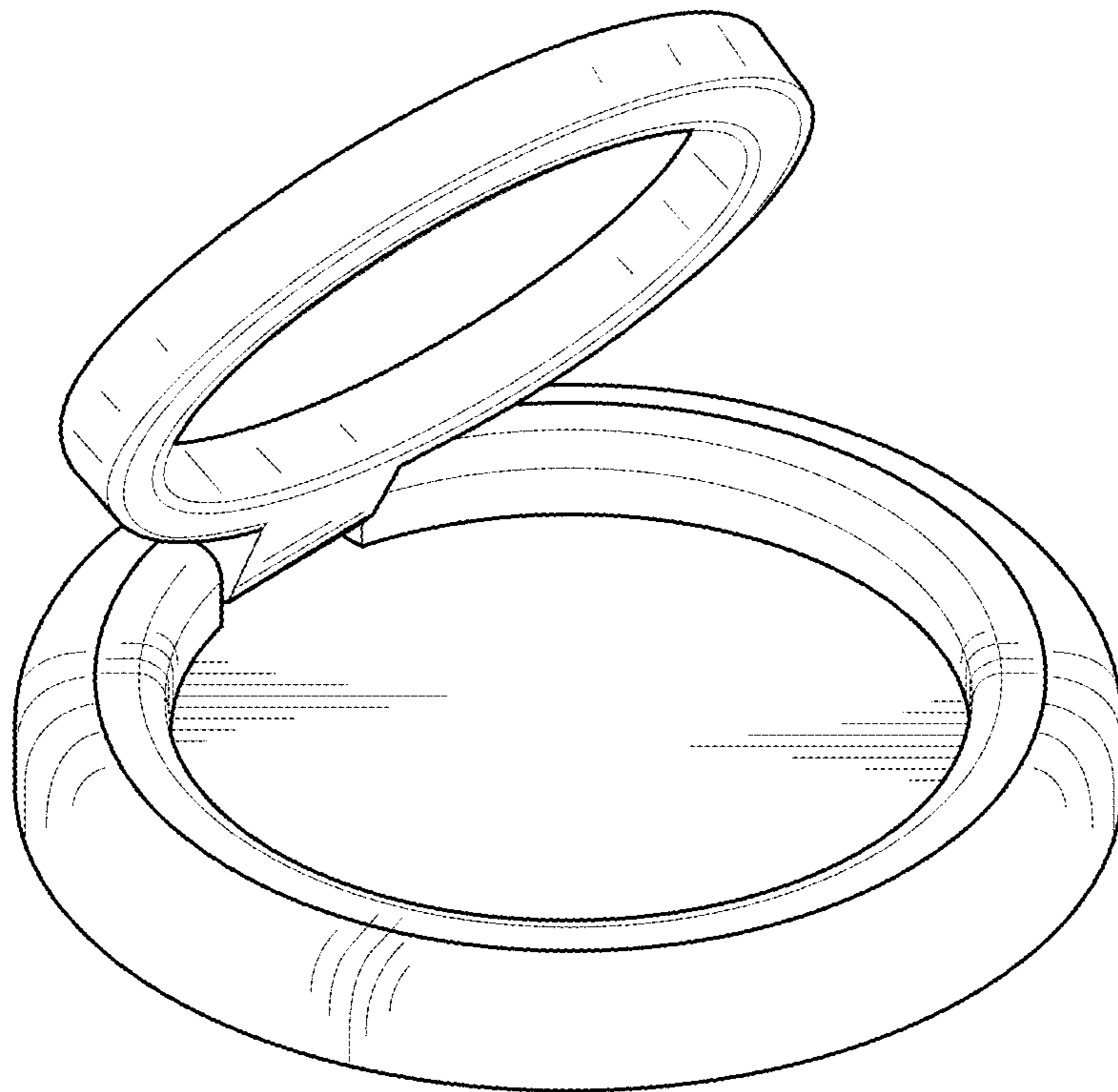
**FIG. 5**



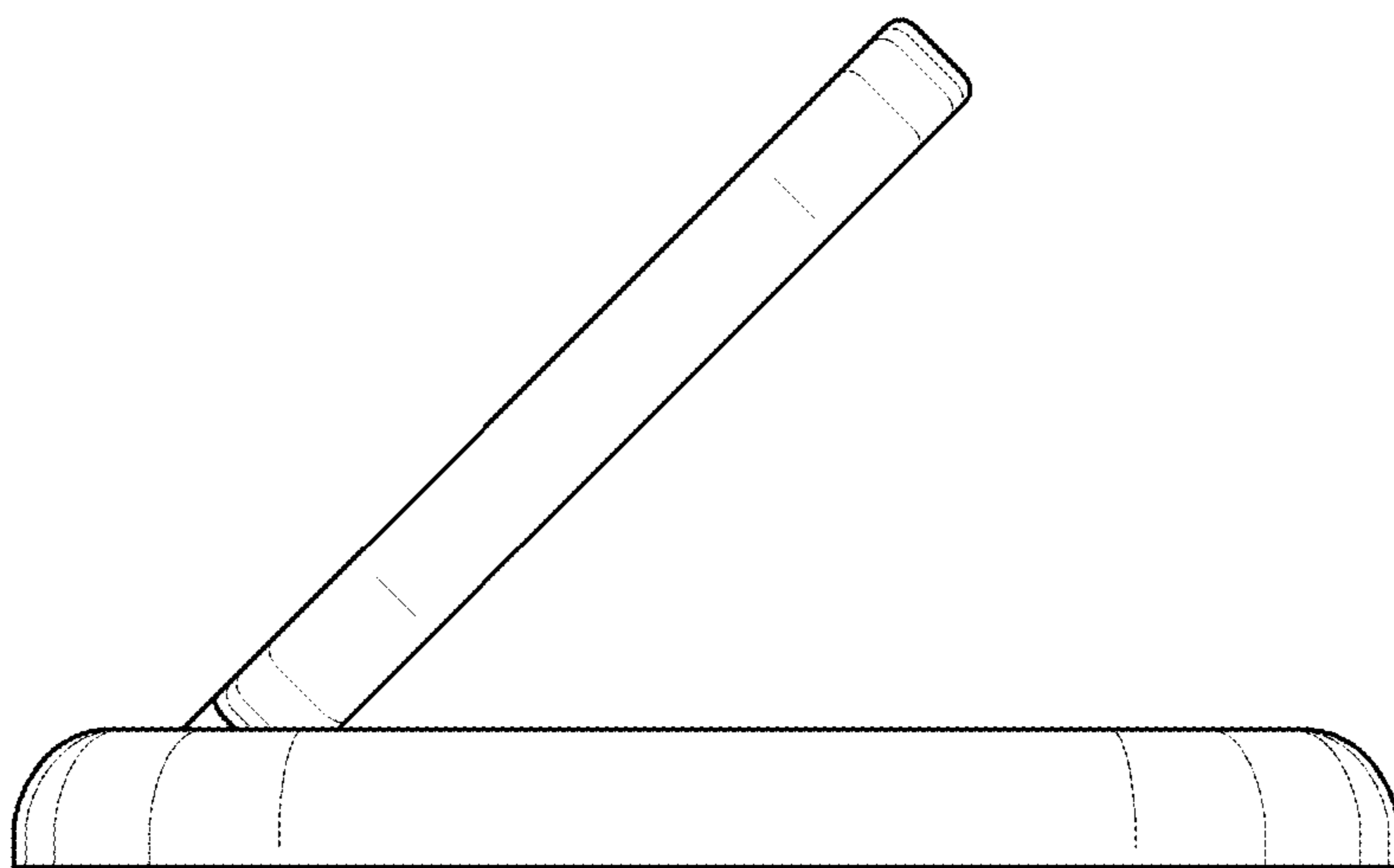
**FIG. 6**



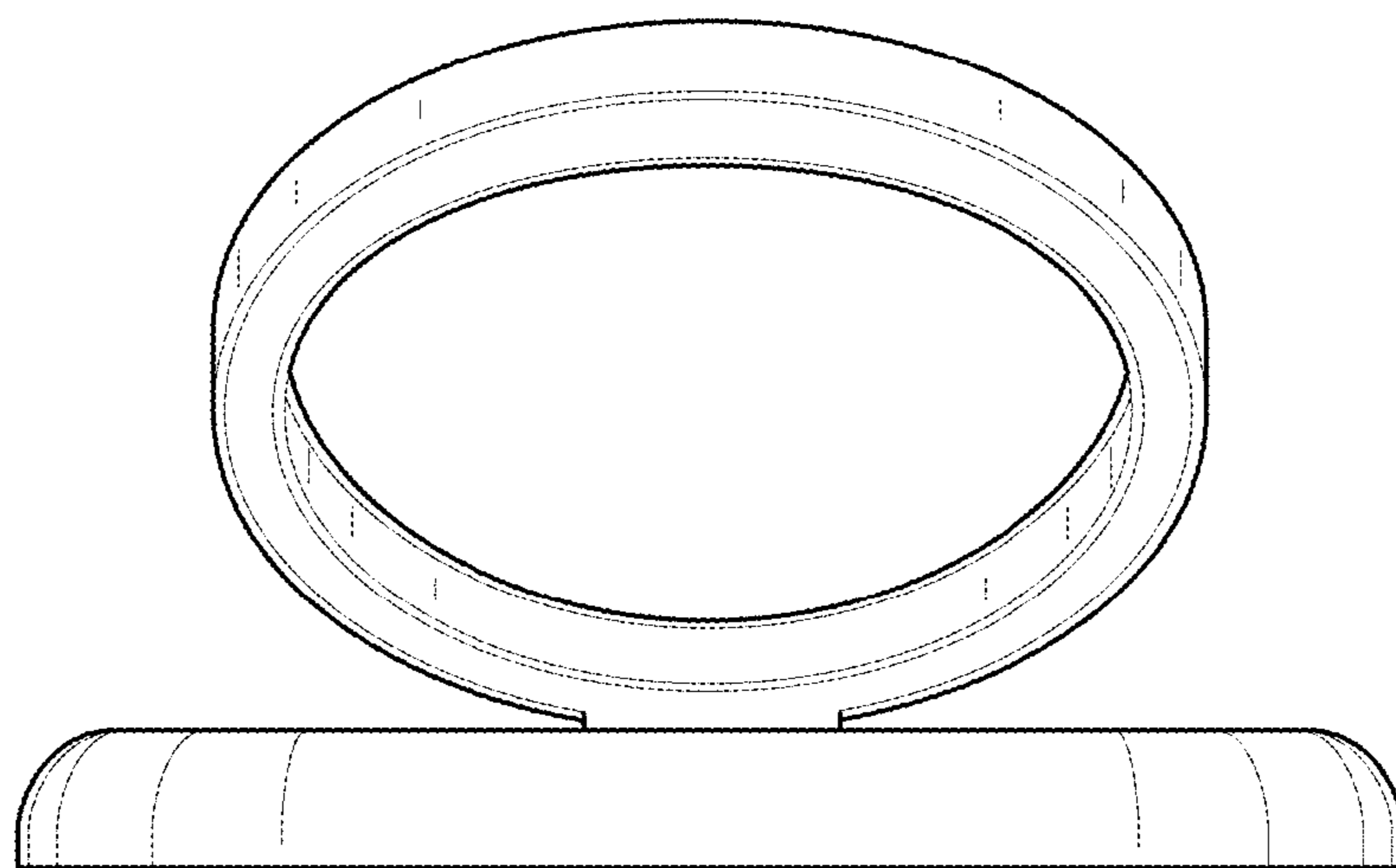
**FIG. 7**



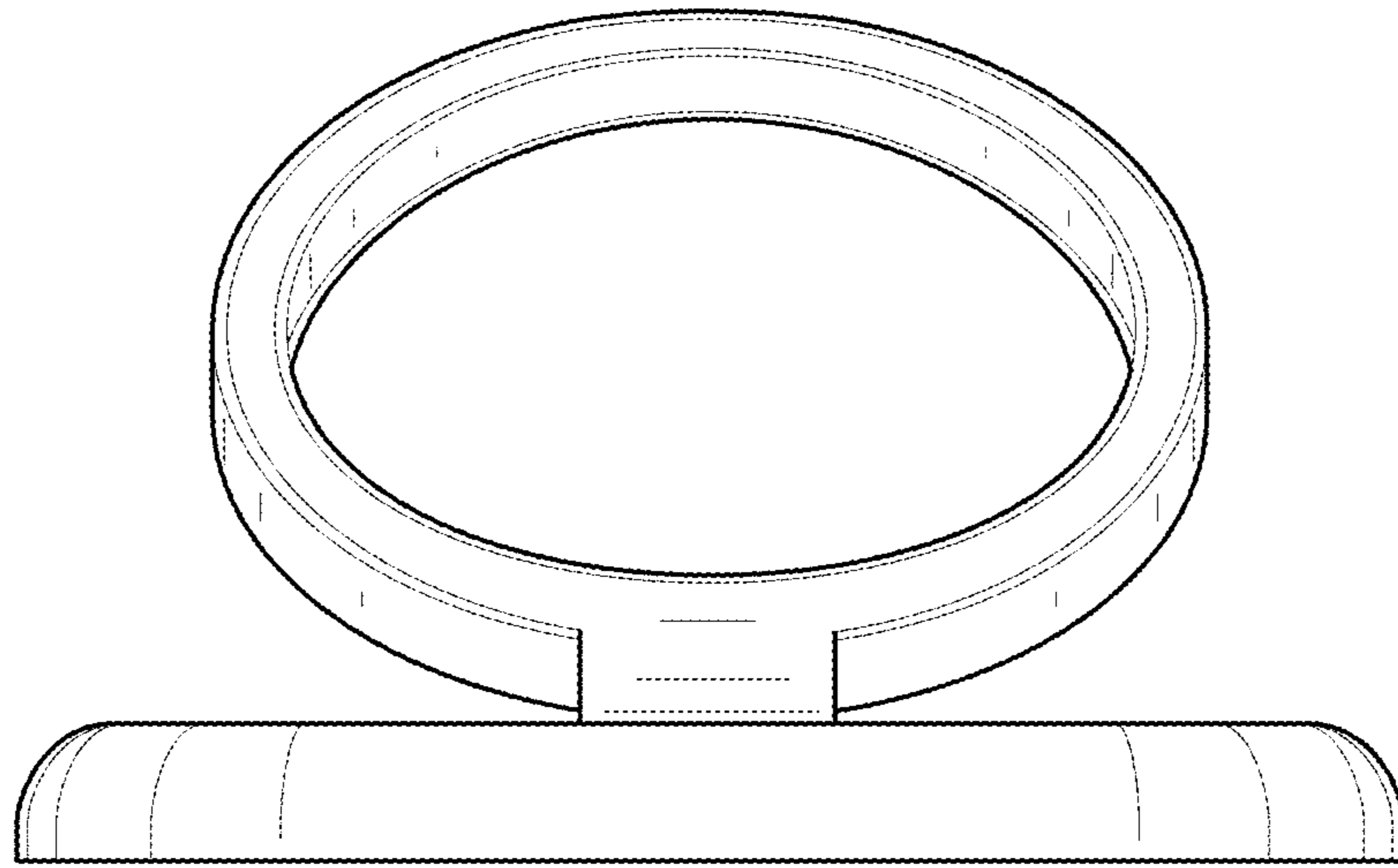
**FIG. 8**



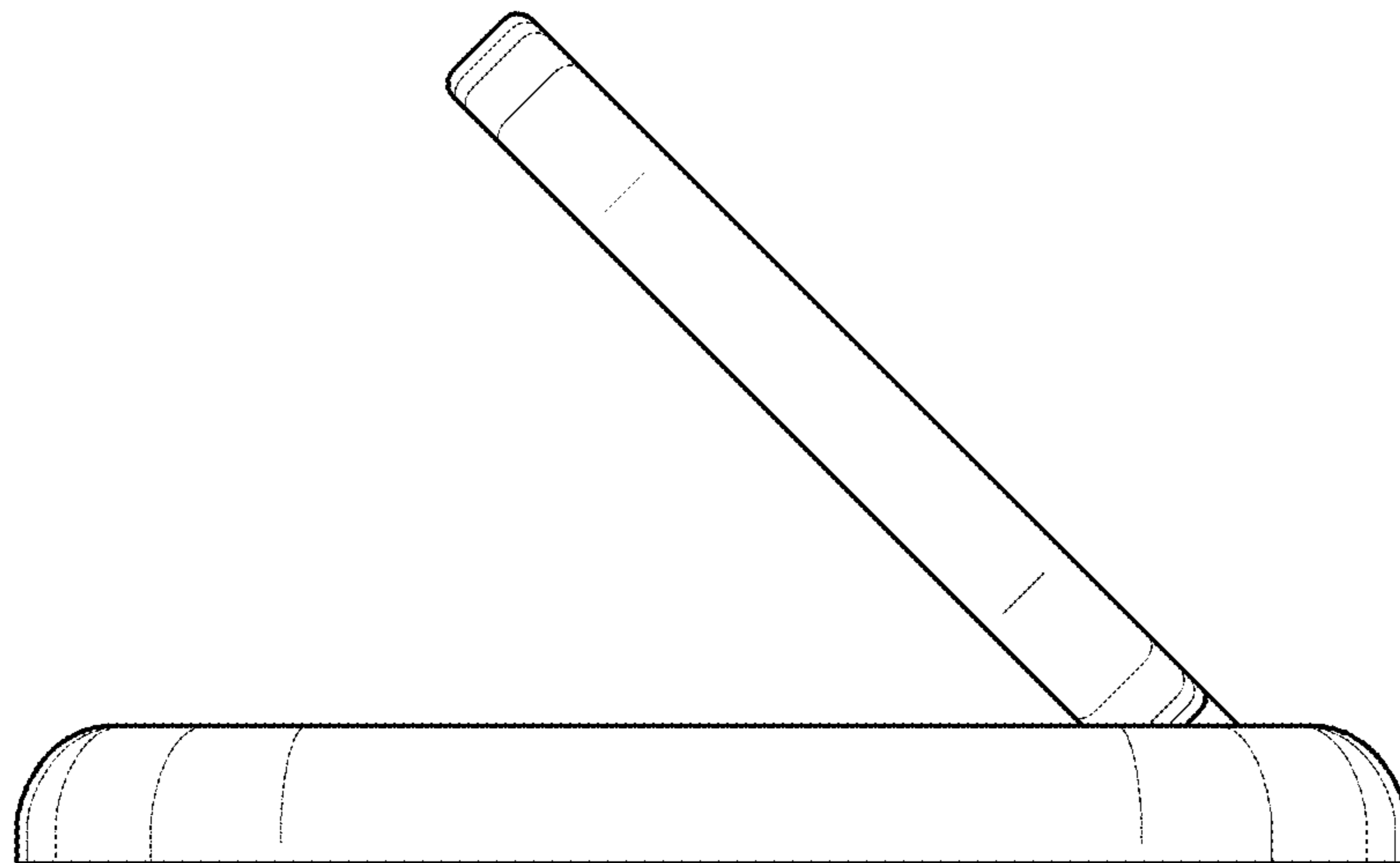
**FIG. 9**



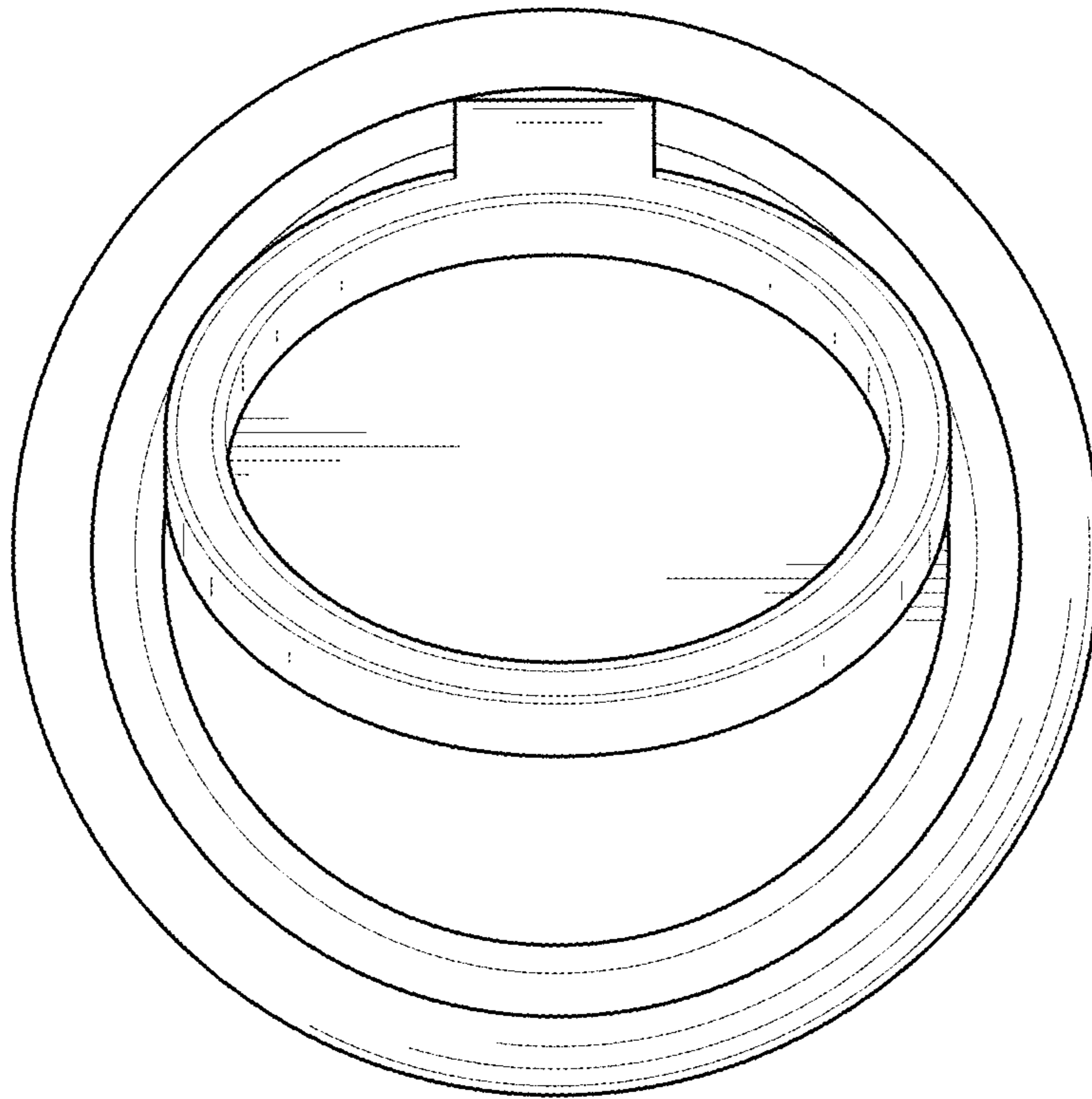
**FIG. 10**



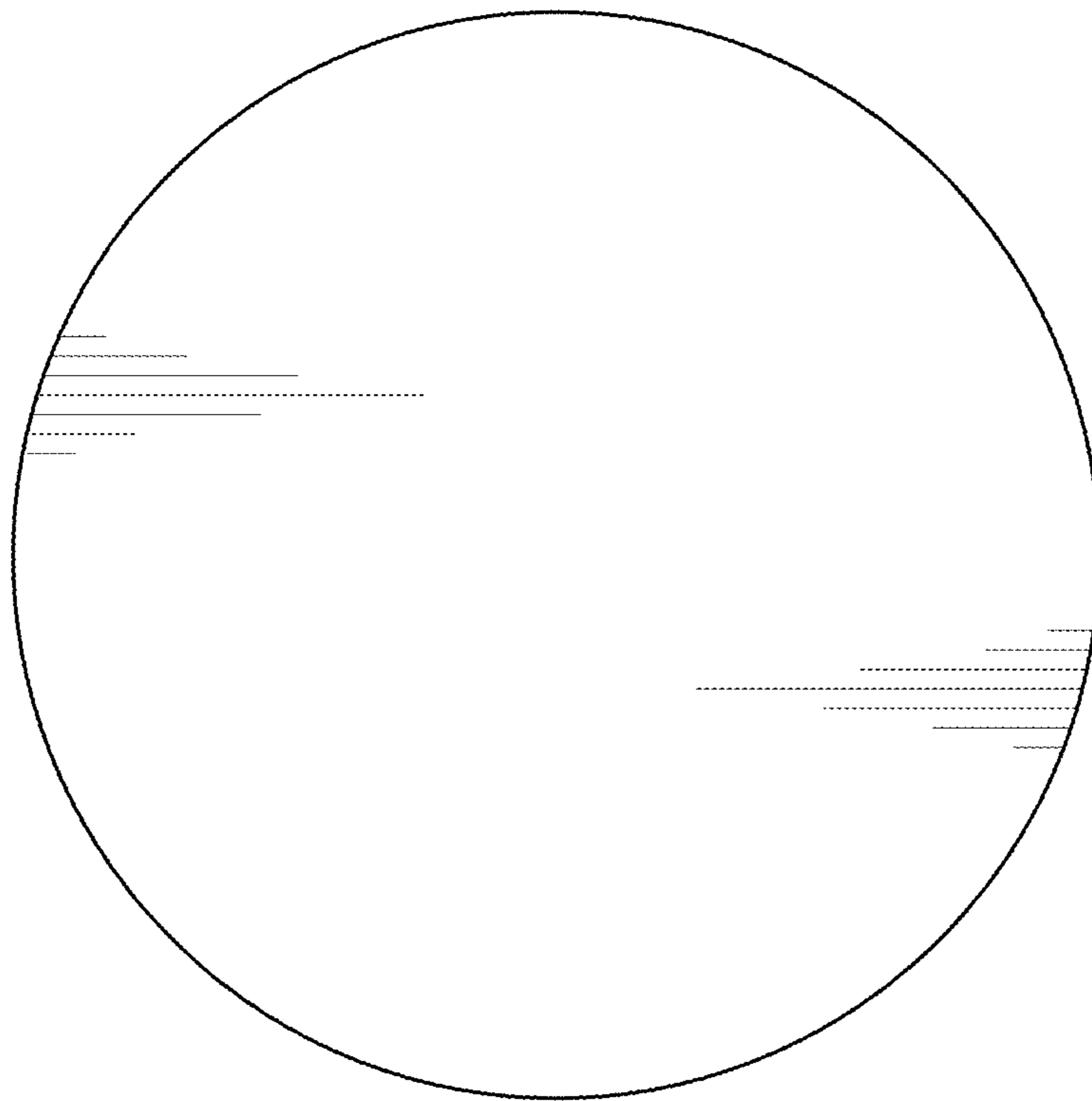
**FIG. 11**



**FIG. 12**

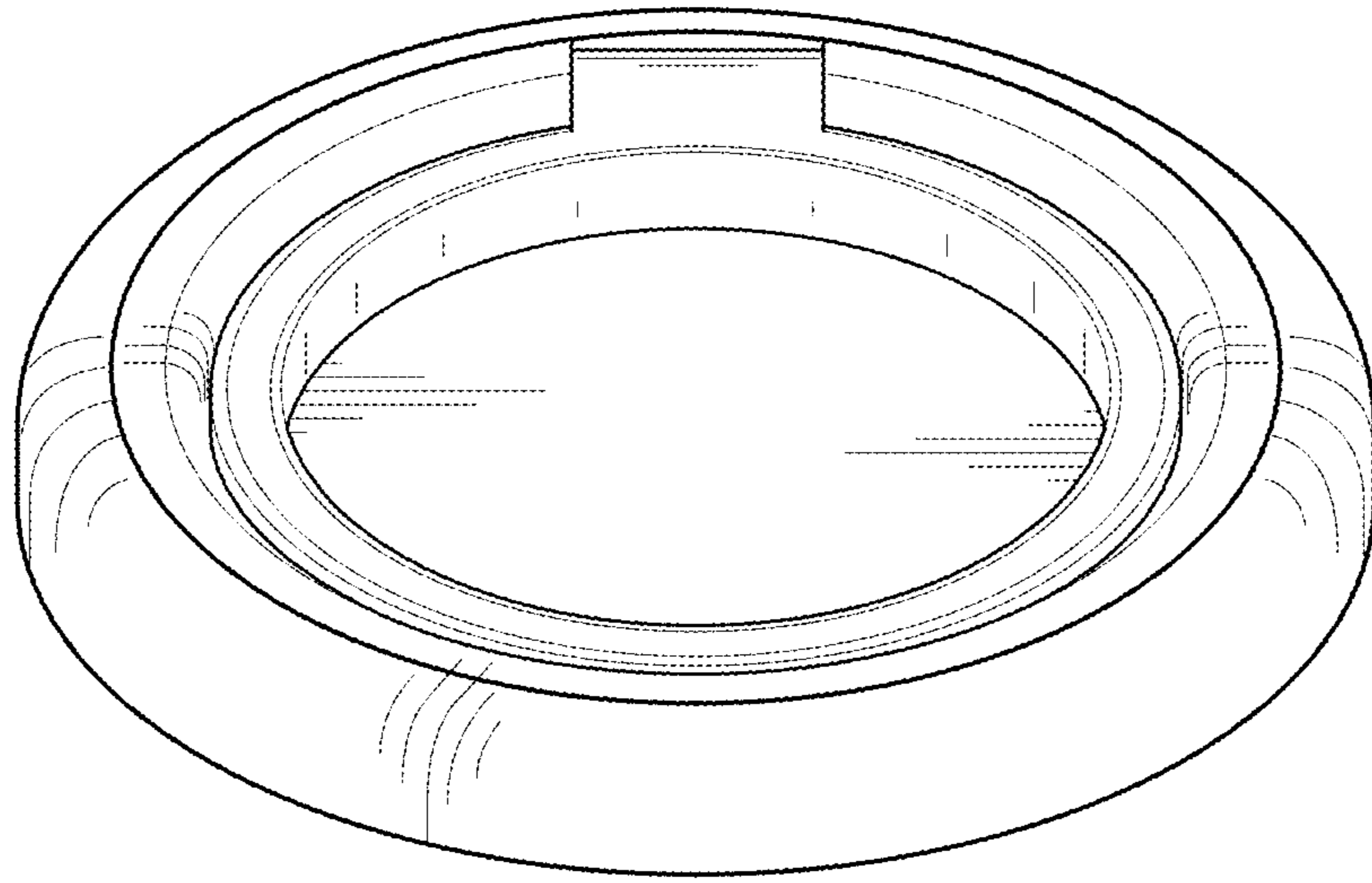


**FIG. 13**



**FIG. 14**





**FIG. 15**



**FIG. 16**



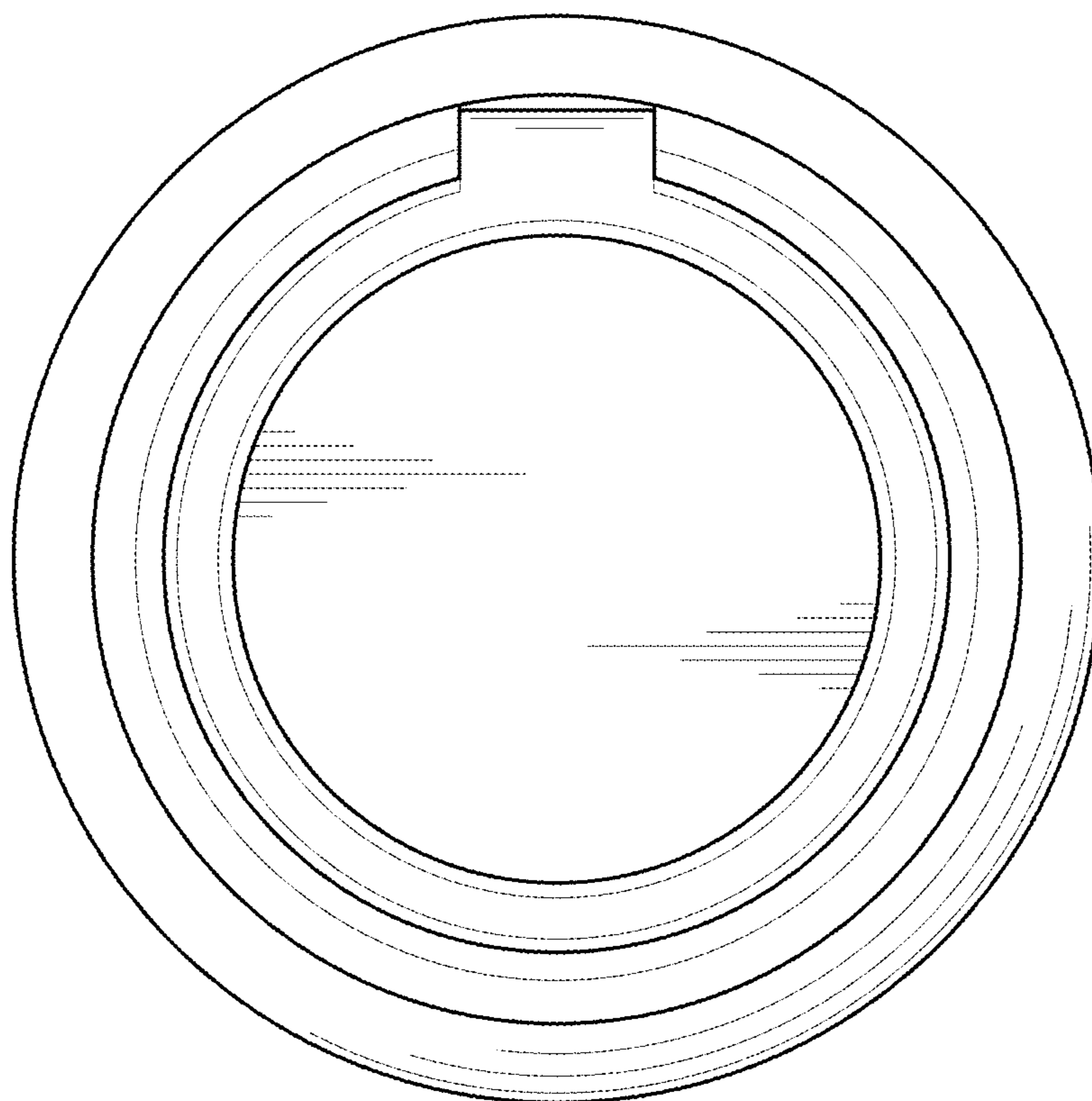
**FIG. 17**



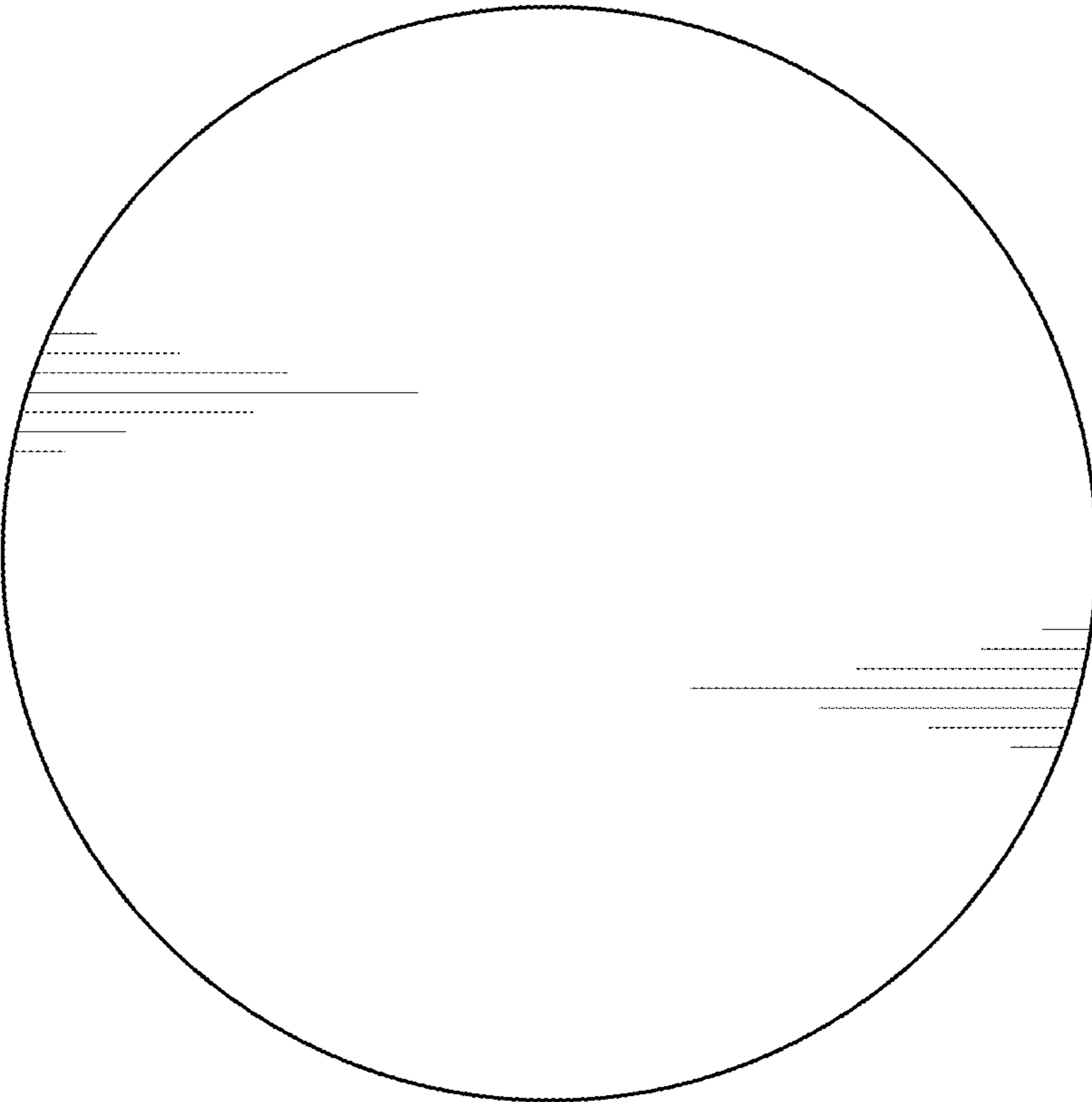
**FIG. 18**



**FIG. 19**



**FIG. 20**



**FIG. 21**