



US00D768633S

(12) **United States Design Patent**  
**Helwig et al.**

(10) **Patent No.:** **US D768,633 S**

(45) **Date of Patent:** **\*\* Oct. 11, 2016**

(54) **INPUT DEVICE**

(71) Applicant: **Logitech Europe S.A.**, Lausanne (CH)

(72) Inventors: **Marten Helwig**, Bern (CH); **Katharine Pulford**, Lausanne (CH); **Cathal Loughnane**, County Wexford (IE); **James Lynch**, County Dublin (IE); **Michael Nolan**, Thomastown (IE)

(73) Assignee: **Logitech Europe S.A.**, Lausanne (CH)

(\*\*) Term: **15 Years**

(21) Appl. No.: **29/529,125**

(22) Filed: **Jun. 3, 2015**

(51) **LOC (10) Cl.** ..... **14-02**

(52) **U.S. Cl.**

USPC ..... **D14/402**

(58) **Field of Classification Search**

USPC ..... D14/402-411, 356, 388, 389, 383-385,  
D14/417, 426; 345/156-167; 463/36-38;  
358/471, 473; 273/148 B

CPC ..... G06F 3/03543; G06F 2203/0333;  
G06F 3/039; G06F 3/038; G06F 2203/0384

See application file for complete search history.

(56) **References Cited**

**U.S. PATENT DOCUMENTS**

D411,189 S *	6/1999	Liao	.....	D14/409
D614,187 S *	4/2010	Blanchard	.....	D14/402
D618,684 S *	6/2010	Ng	.....	D14/402
D627,355 S *	11/2010	Blanchard	.....	D14/402
D665,392 S *	8/2012	Jost	.....	D14/409
D667,409 S *	9/2012	Kujawski	.....	D14/409
D680,113 S *	4/2013	Li	.....	D14/409
D688,245 S *	8/2013	Guerra	.....	D14/409
D688,664 S *	8/2013	Guerra	.....	D14/409
D712,903 S *	9/2014	Lai	.....	D14/409

D744,485 S *	12/2015	Young	.....	D14/409
2004/0233169 A1 *	11/2004	Willat	.....	G06F 3/03543 345/163
2009/0046064 A1 *	2/2009	Manalo	.....	G06F 3/03543 345/164

\* cited by examiner

*Primary Examiner* — Austin Murphy

(74) *Attorney, Agent, or Firm* — Kilpatrick Townsend & Stockton LLP

(57) **CLAIM**

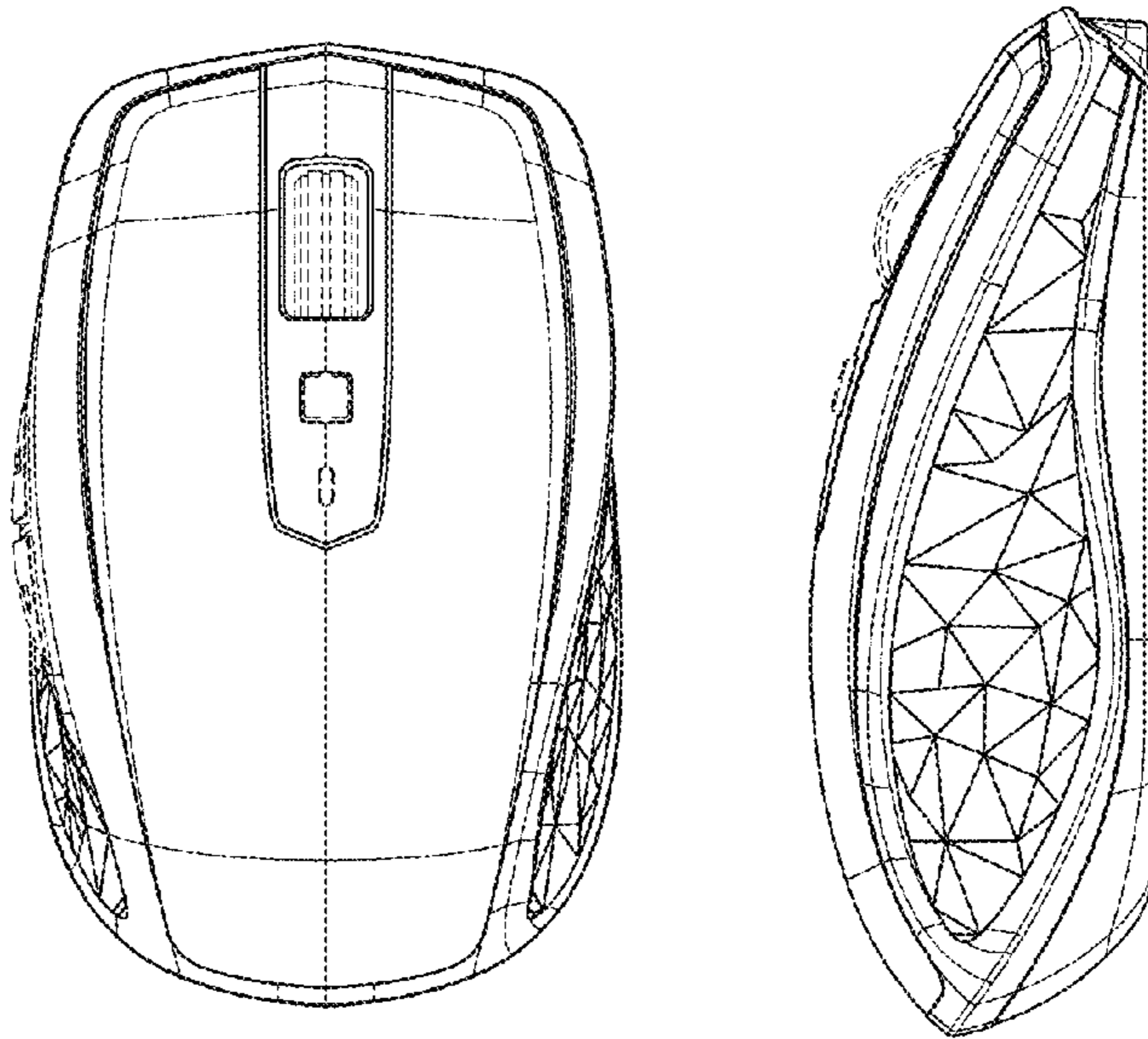
The ornamental design for input device, as shown and described.

**DESCRIPTION**

FIG. 1 is a perspective view of a first embodiment of an input device showing our new design;  
 FIG. 2 is a second perspective view thereof;  
 FIG. 3 is a third perspective view thereof;  
 FIG. 4 is a top plan view thereof;  
 FIG. 5 is a bottom plan view thereof;  
 FIG. 6 is a front elevational view thereof;  
 FIG. 7 is a rear elevational view thereof;  
 FIG. 8 is a right side elevational view thereof; and  
 FIG. 9 is a left side elevational view thereof.  
 FIG. 10 is a perspective view of a second embodiment of an input device showing our new design;  
 FIG. 11 is a second perspective view thereof;  
 FIG. 12 is a third perspective view thereof;  
 FIG. 13 is a top plan view thereof;  
 FIG. 14 is a bottom plan view thereof;  
 FIG. 15 is a front elevational view thereof;  
 FIG. 16 is a rear elevational view thereof;  
 FIG. 17 is a right side elevational view thereof; and,  
 FIG. 18 is a left side elevational view thereof.

Perspective views are not drawn to scale. The broken lines shown represent unclaimed subject matter and form no part of the claimed design.

**1 Claim, 10 Drawing Sheets**



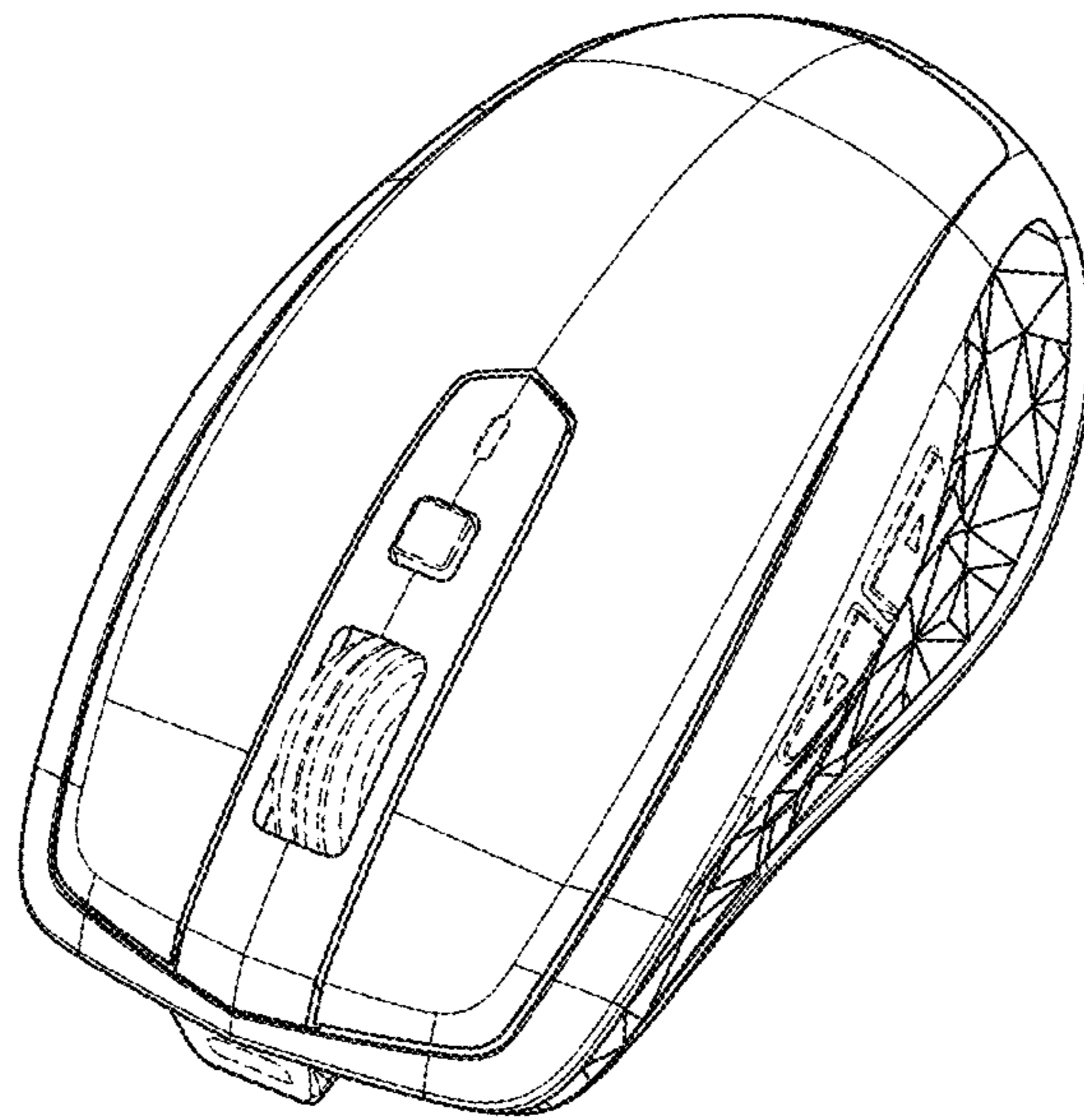


FIG. 1

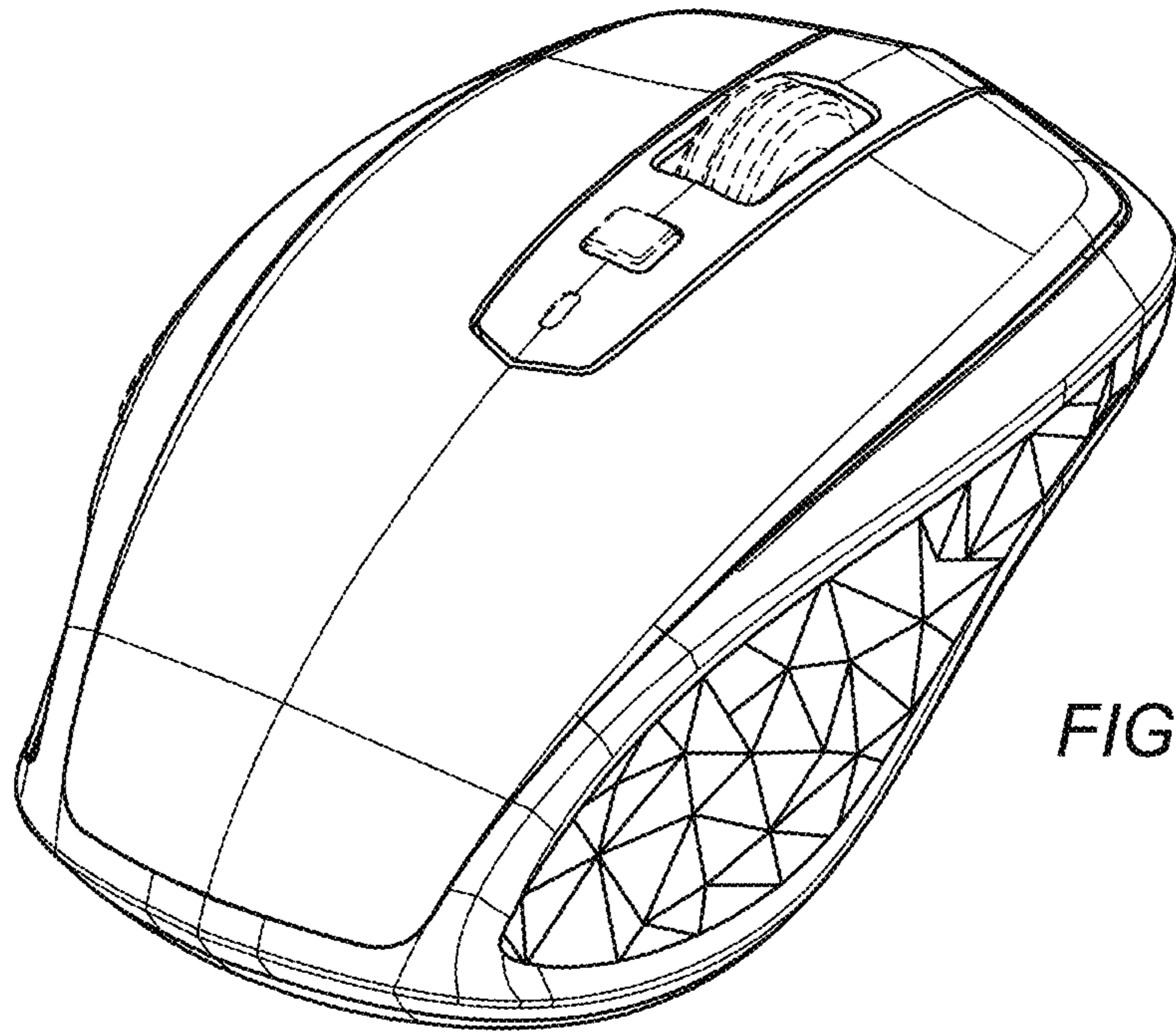


FIG. 2

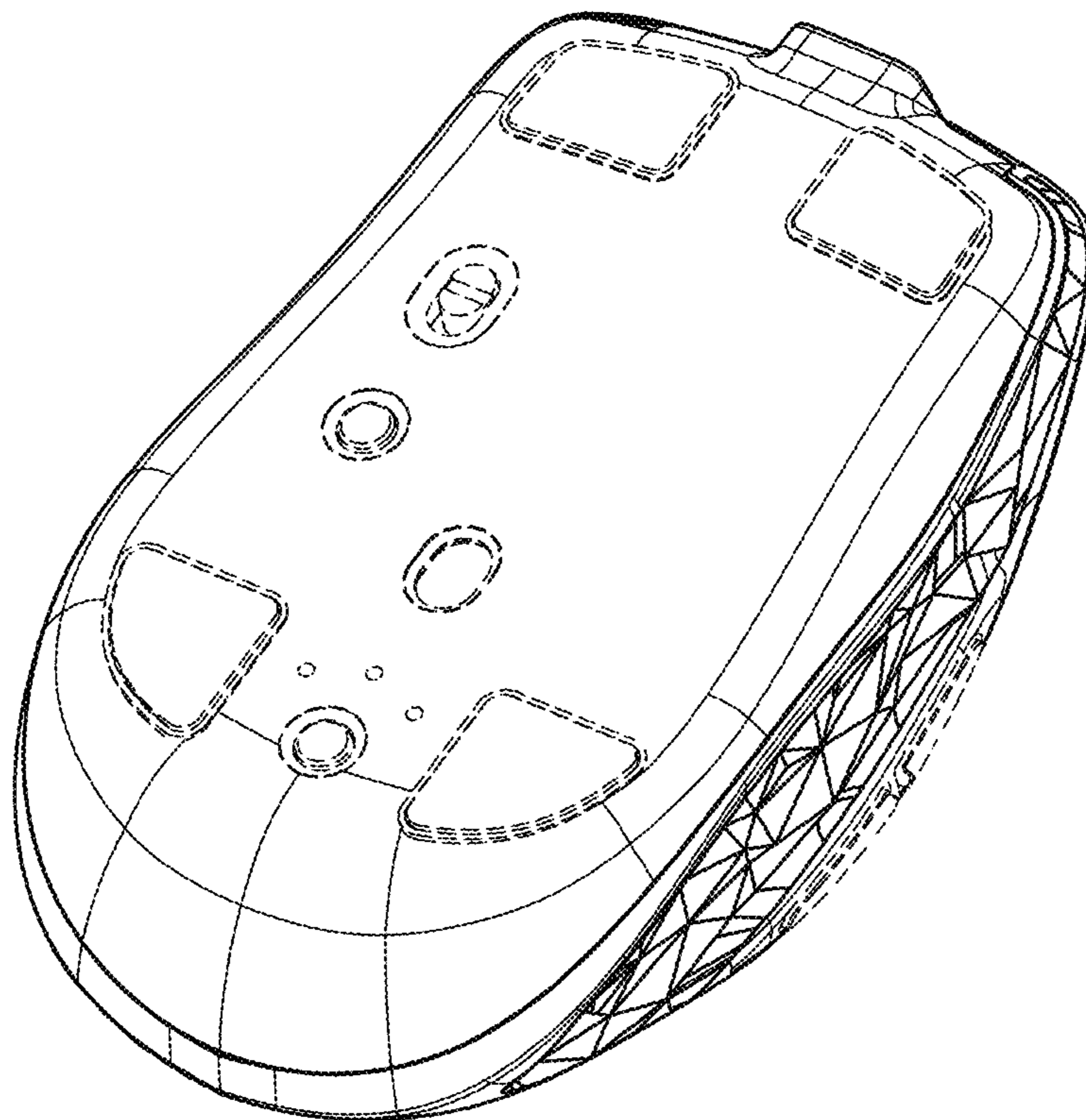


FIG. 3



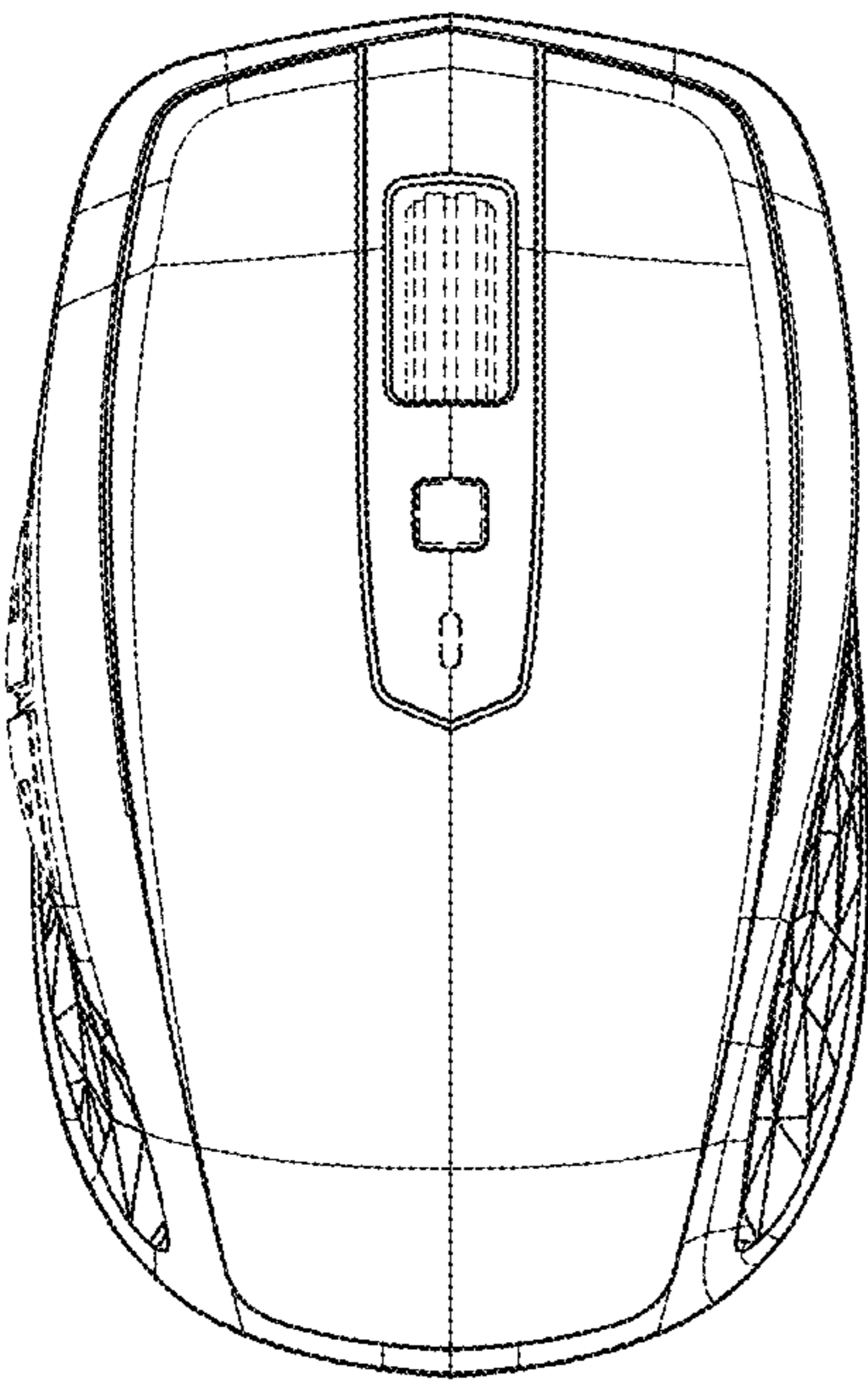


FIG. 4

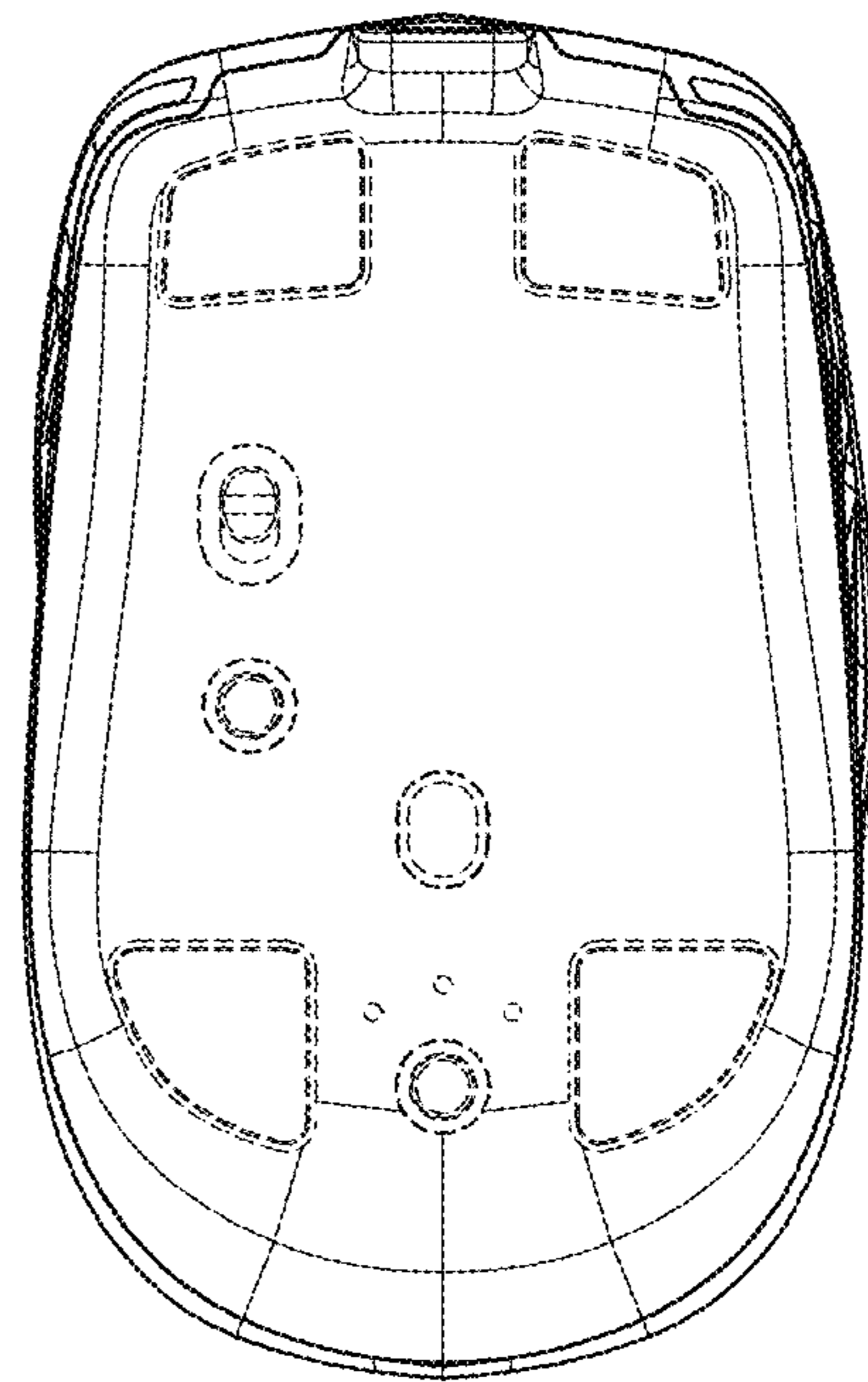


FIG. 5

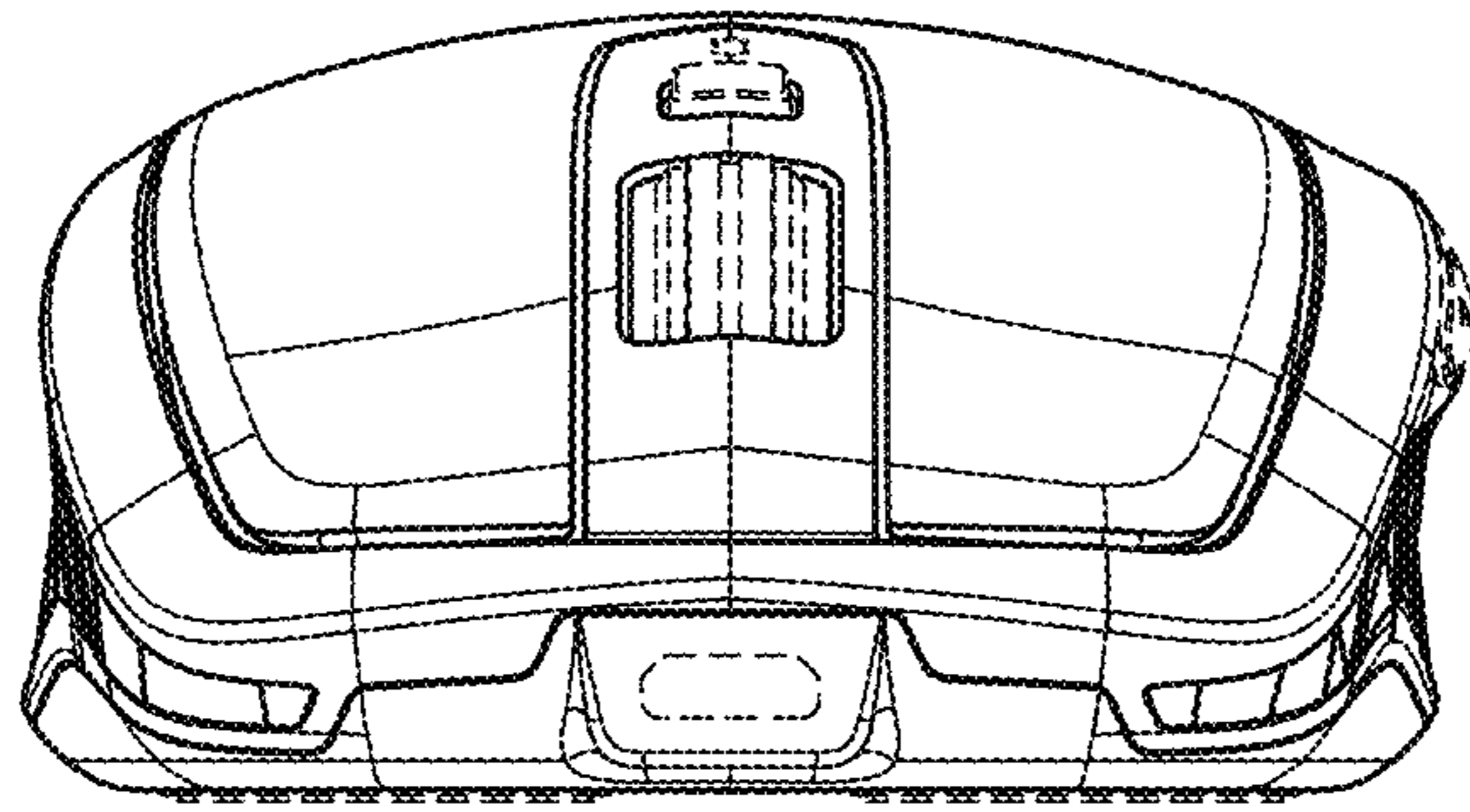


FIG. 6

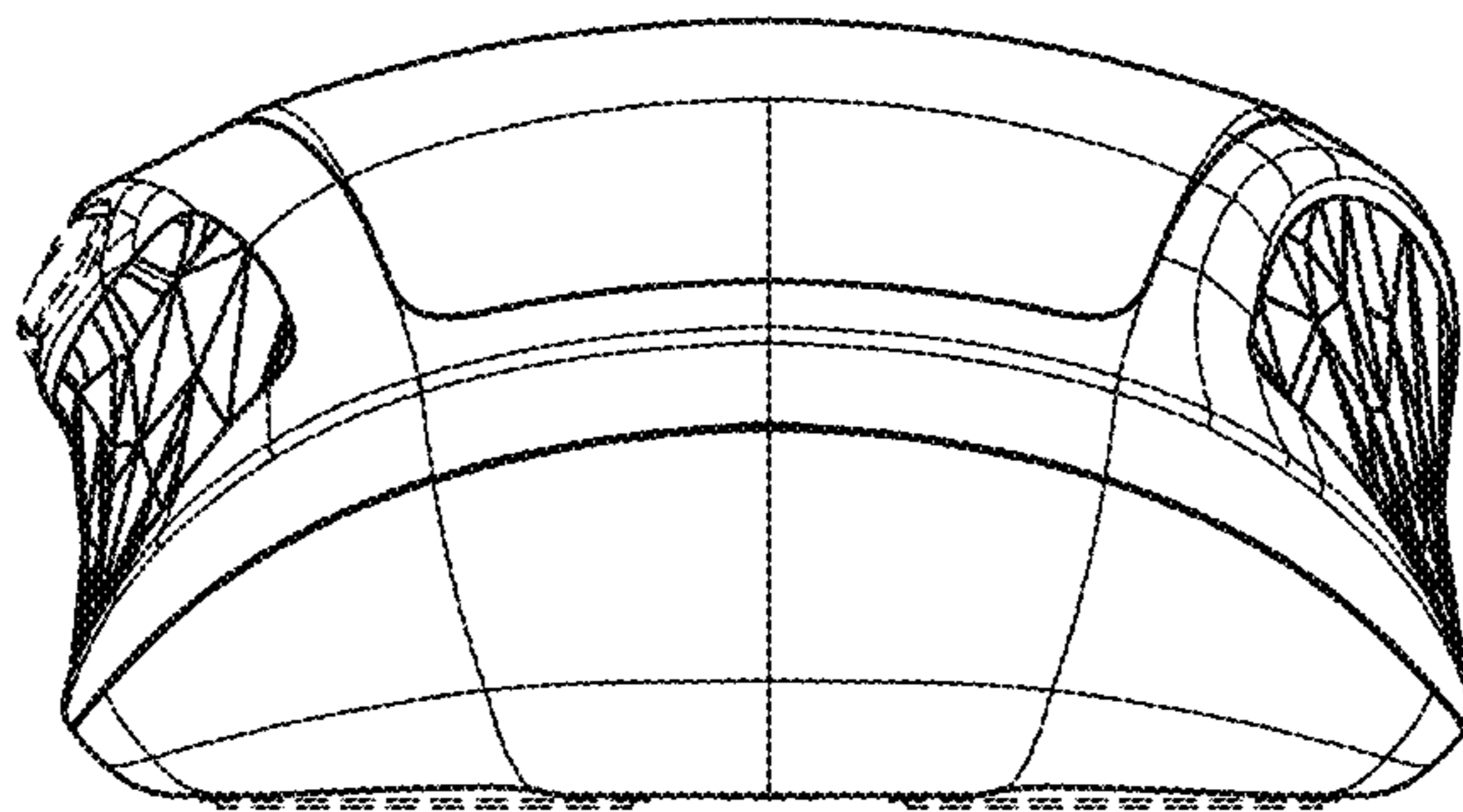


FIG. 7

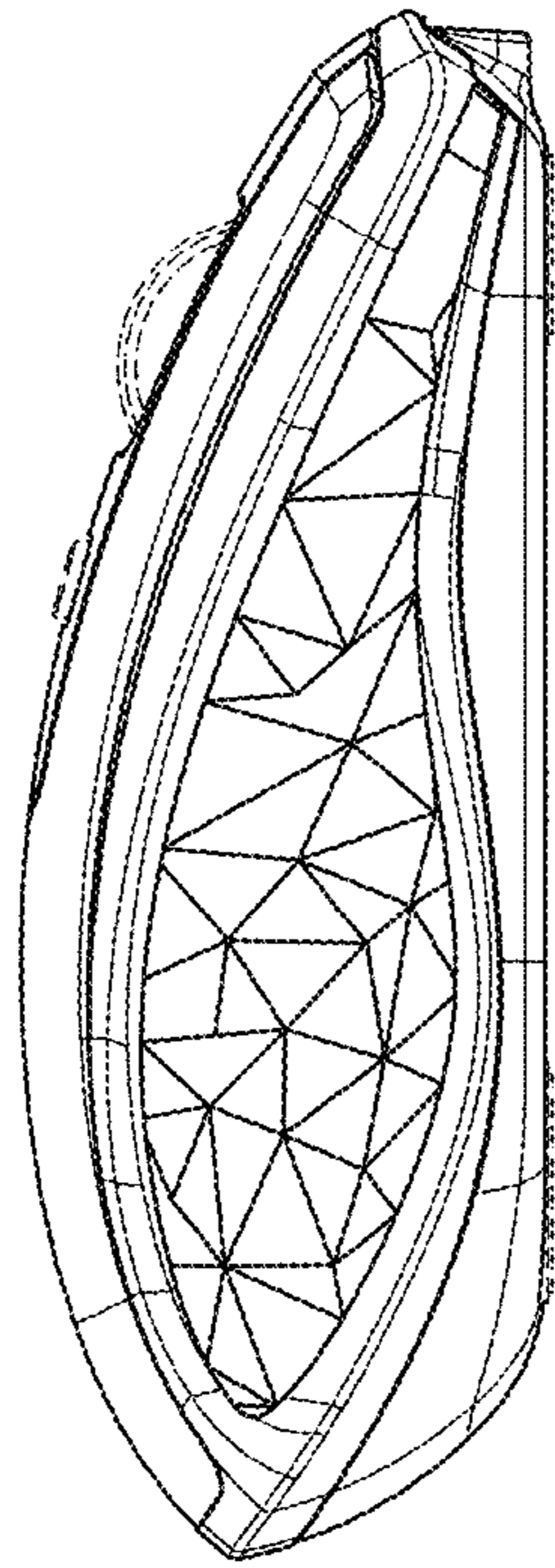


FIG. 8

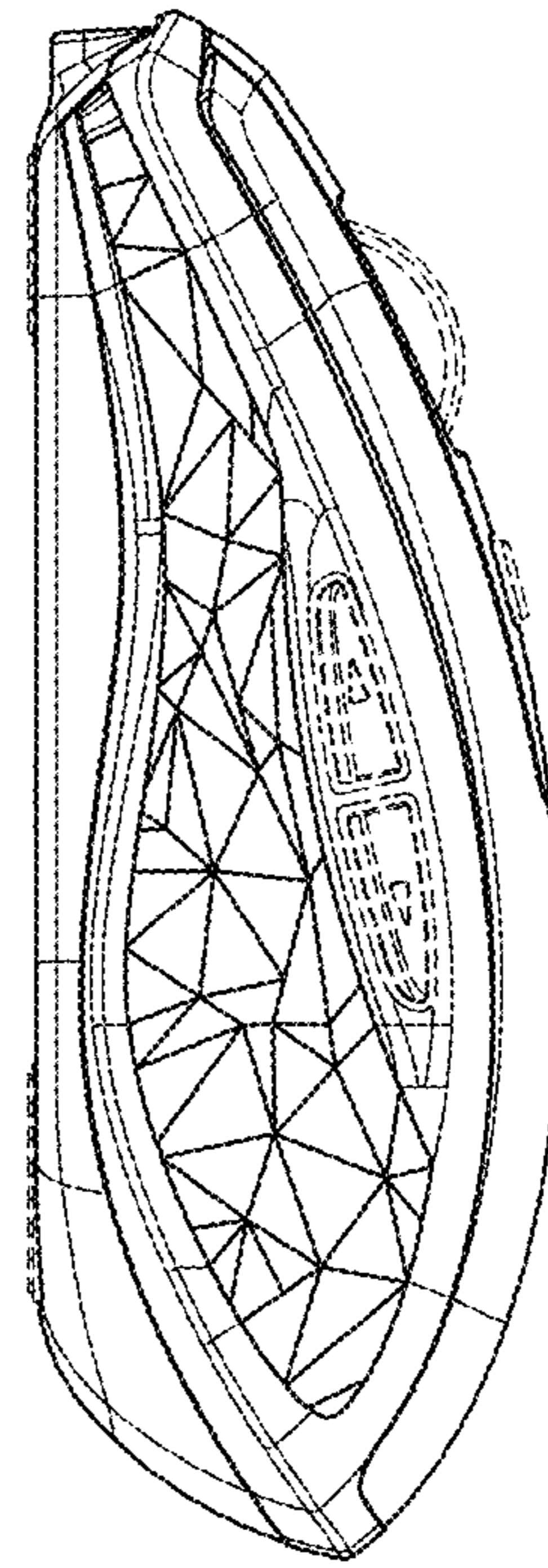


FIG. 9

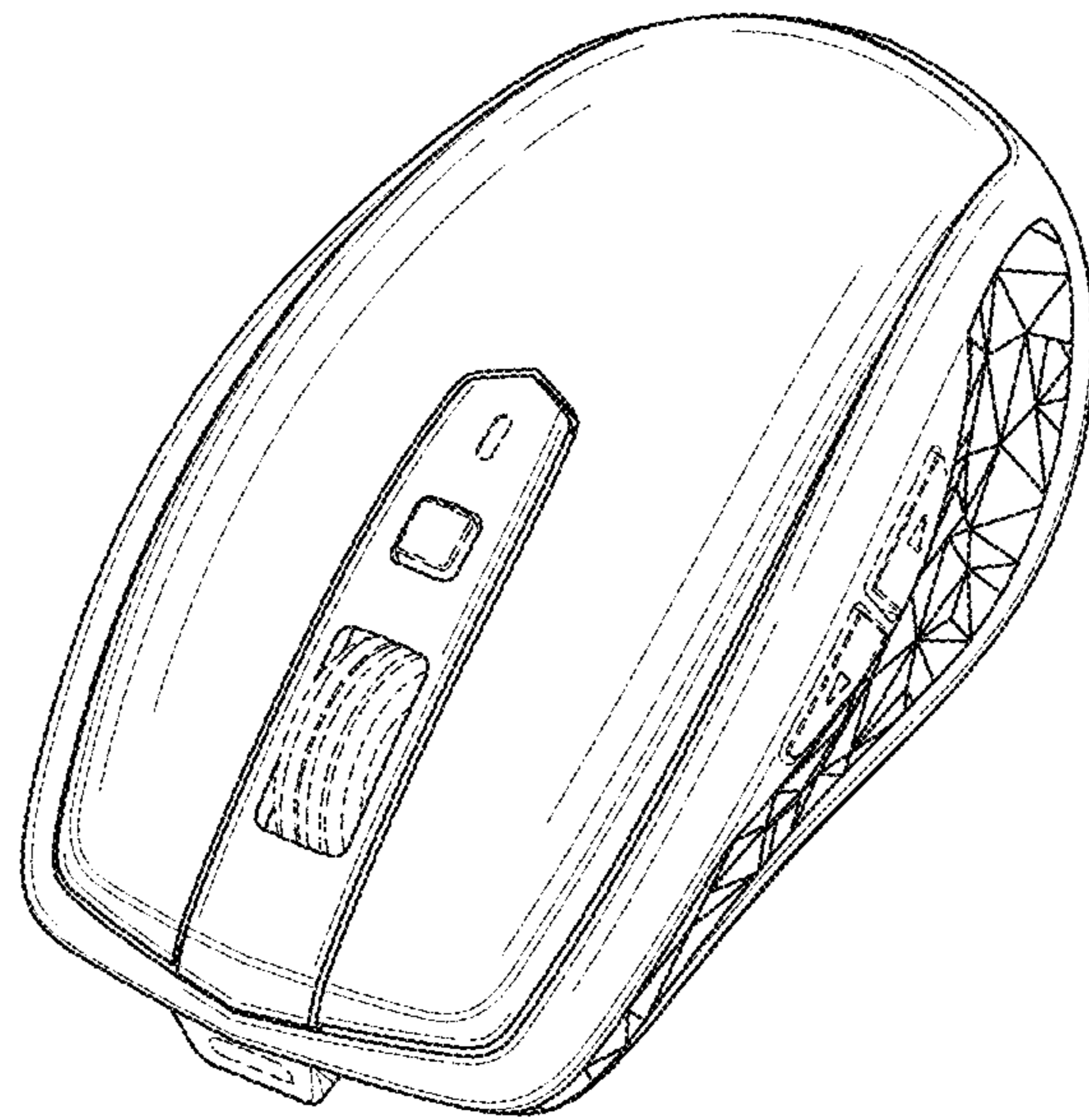


FIG. 10



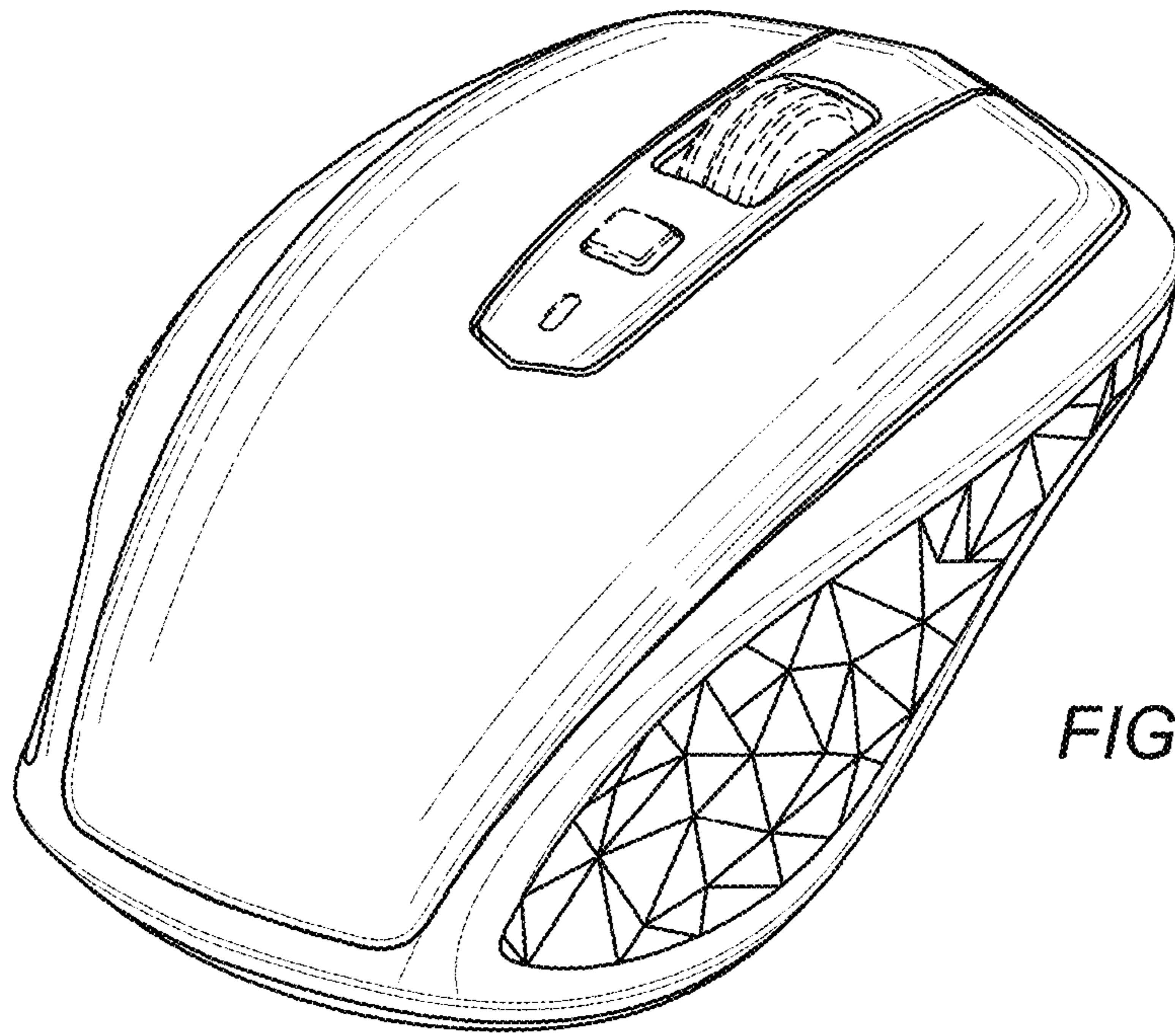


FIG. 11

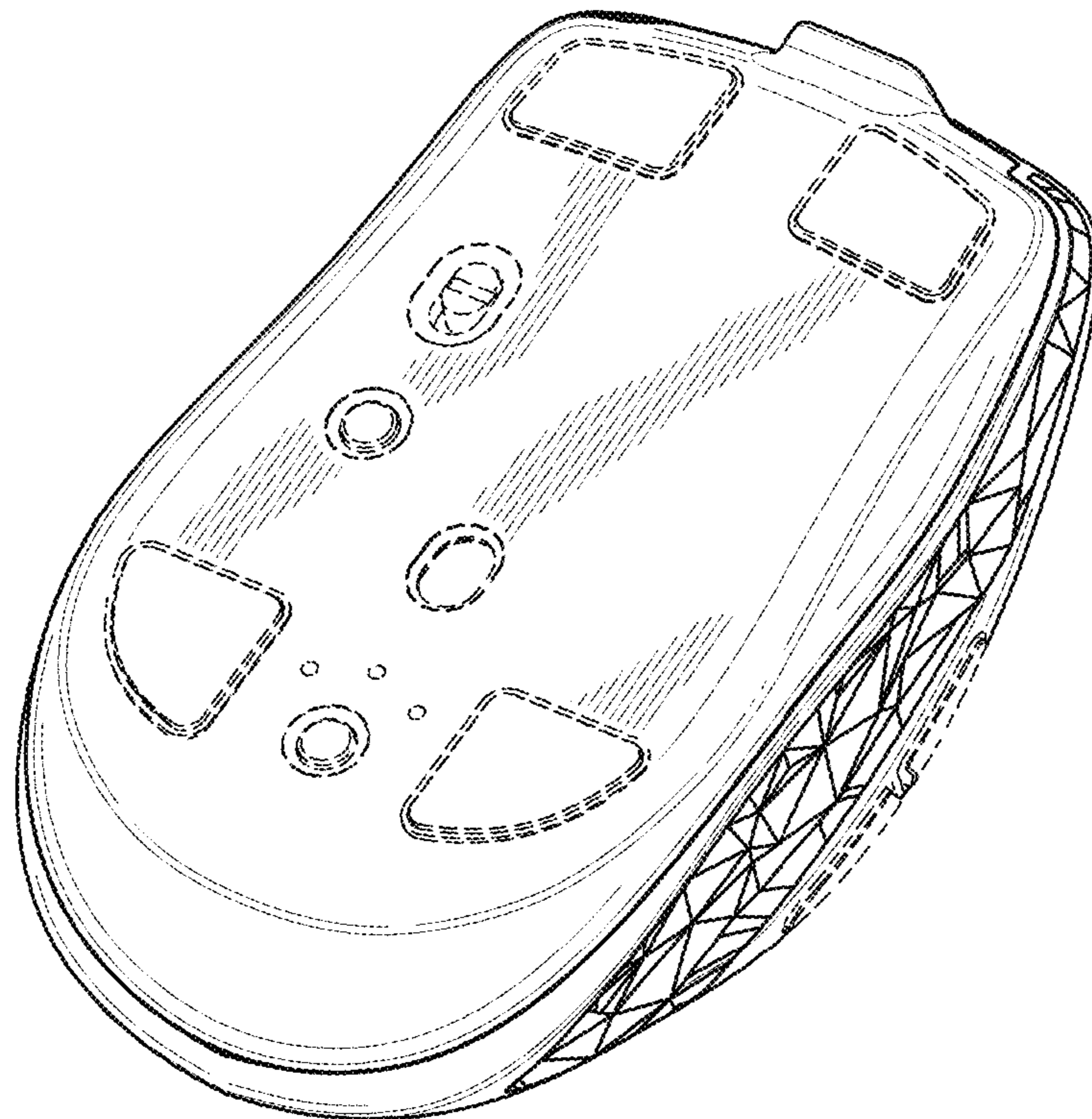


FIG. 12



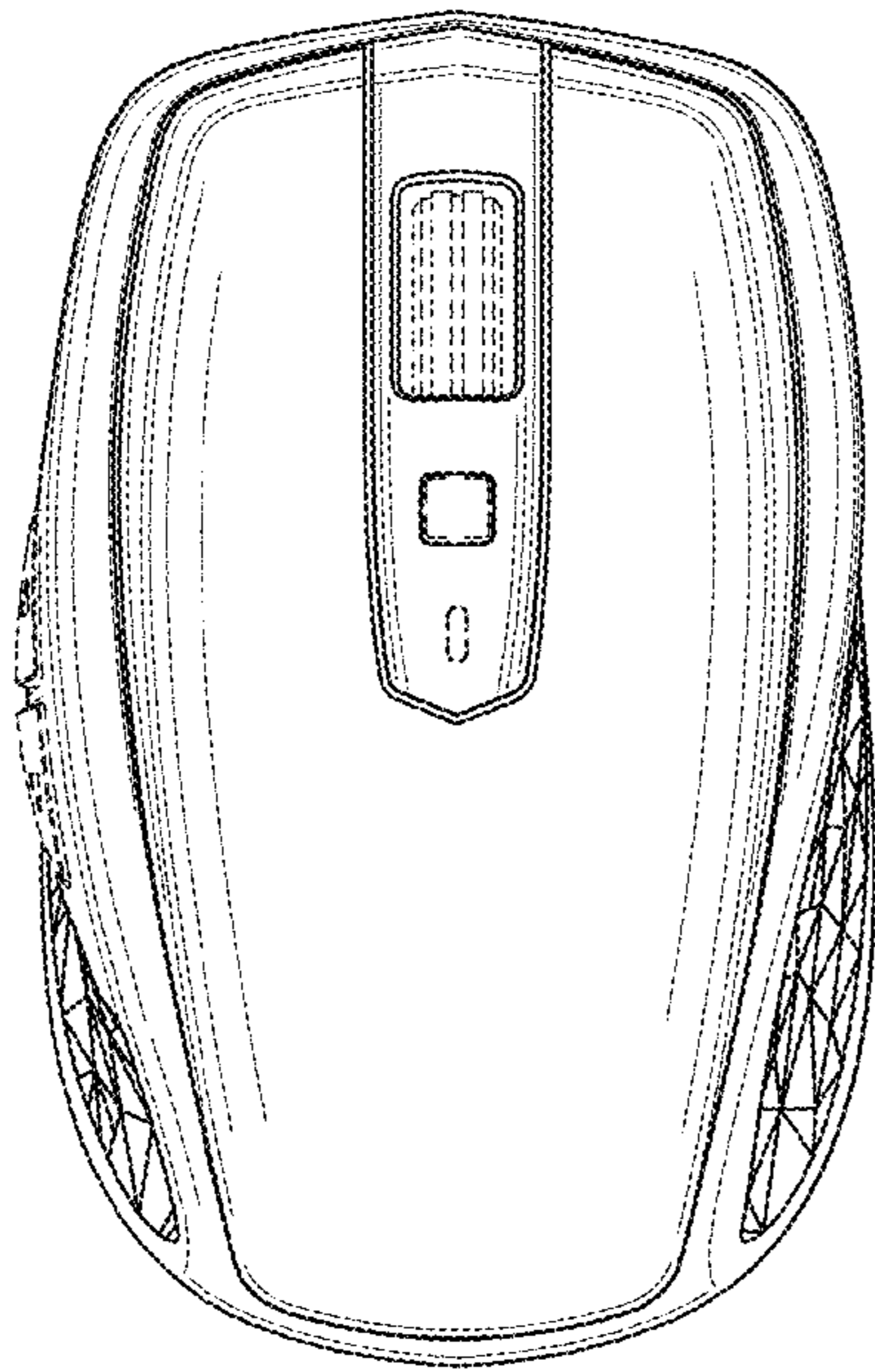


FIG. 13

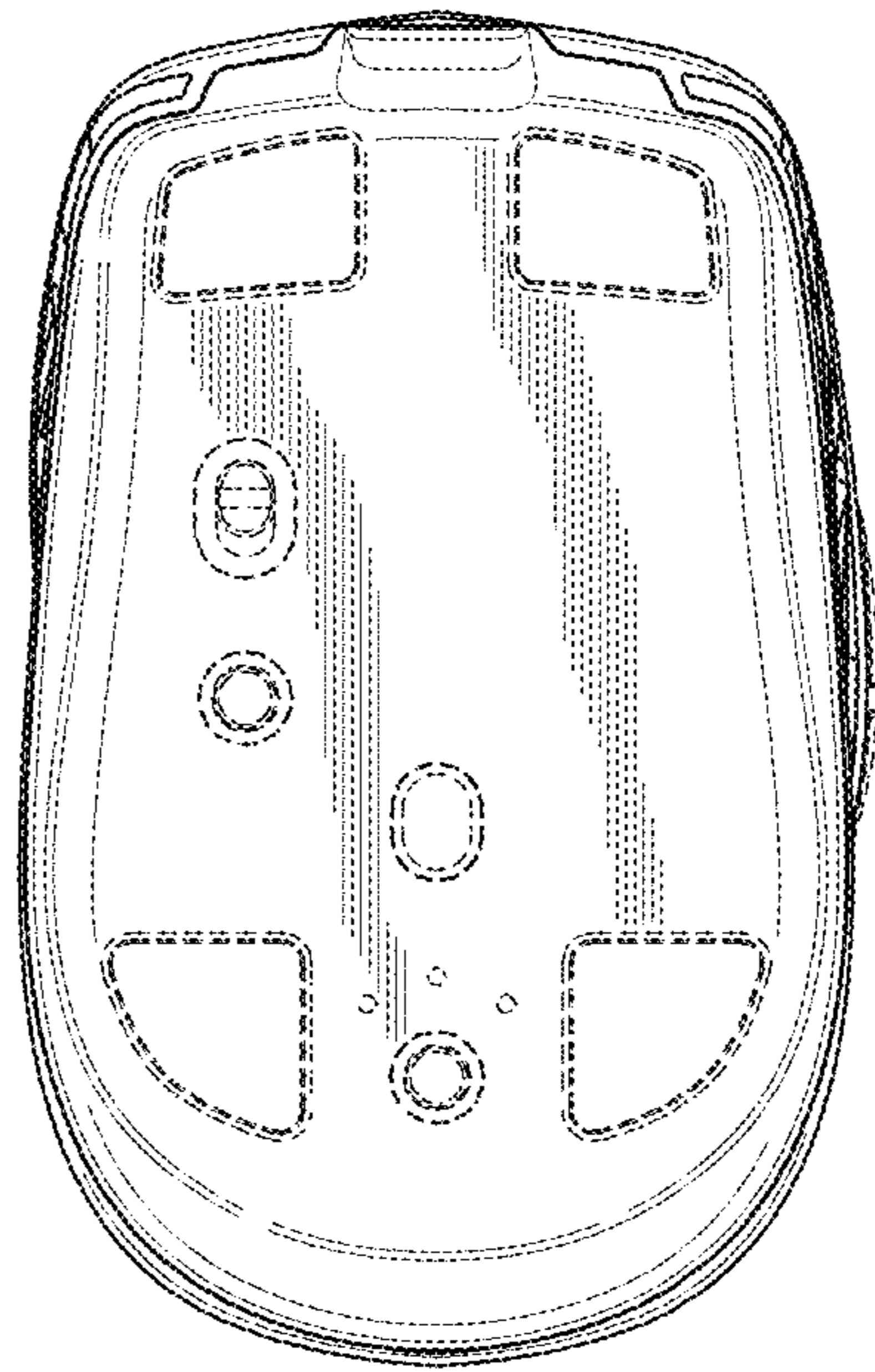


FIG. 14

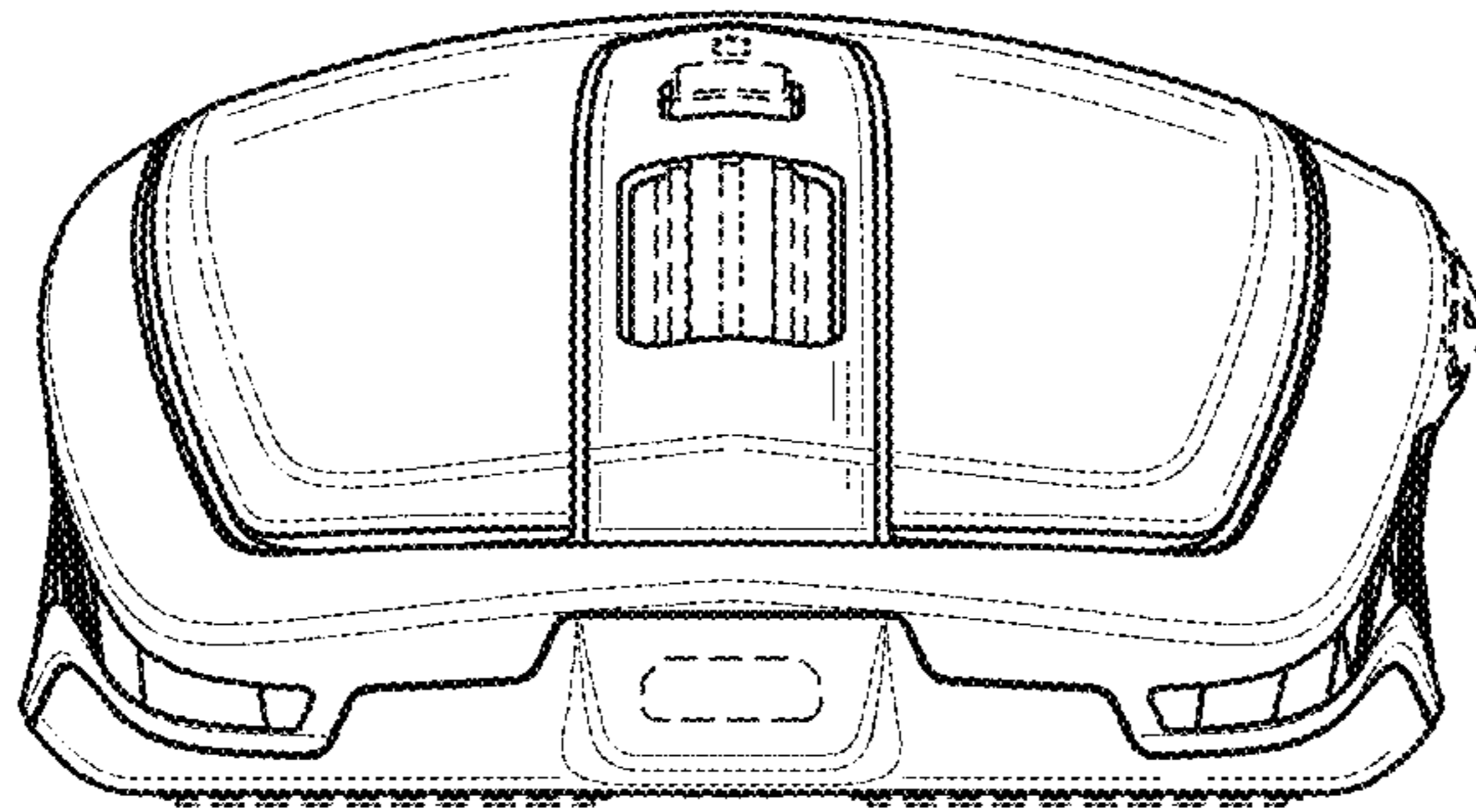


FIG. 15

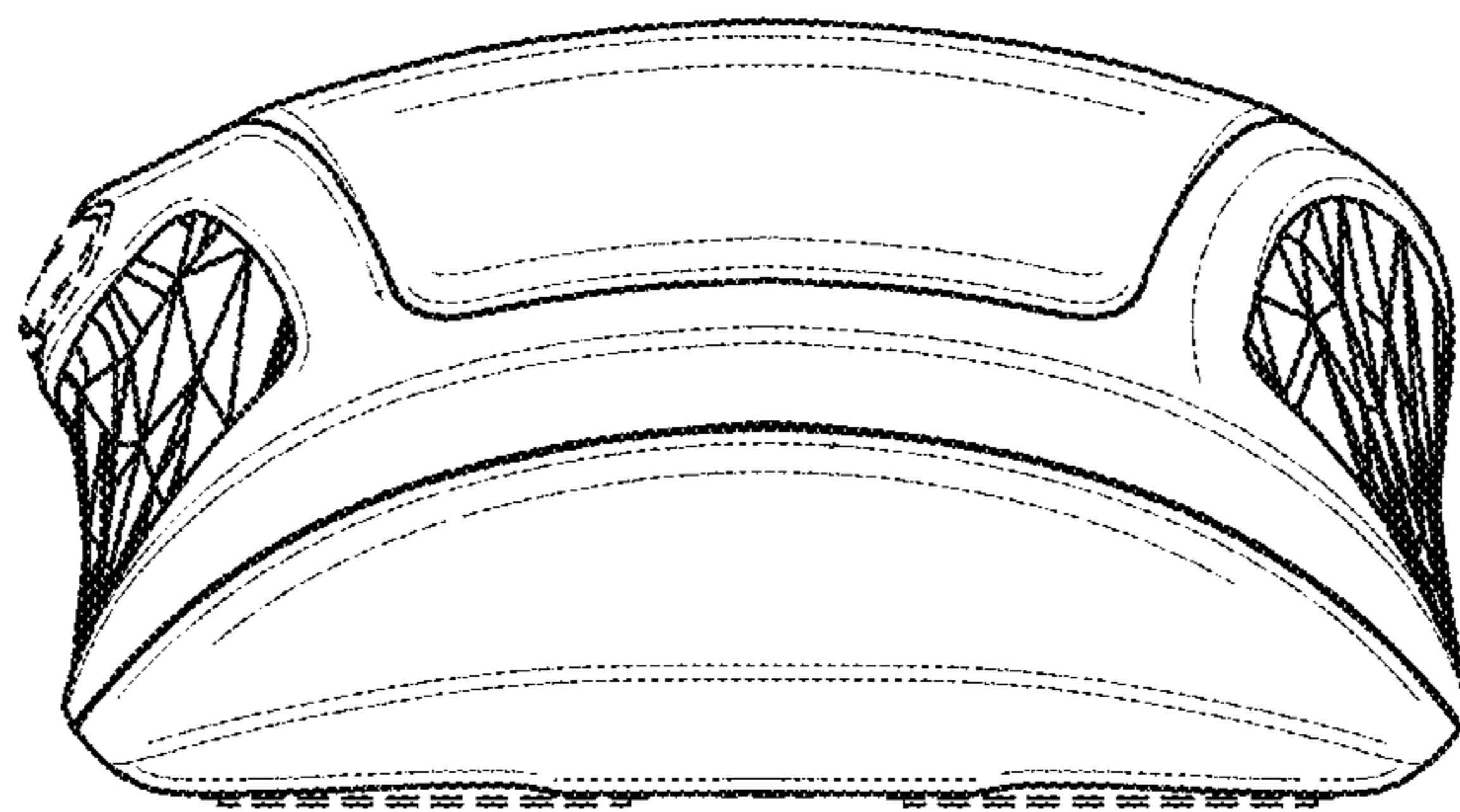


FIG. 16

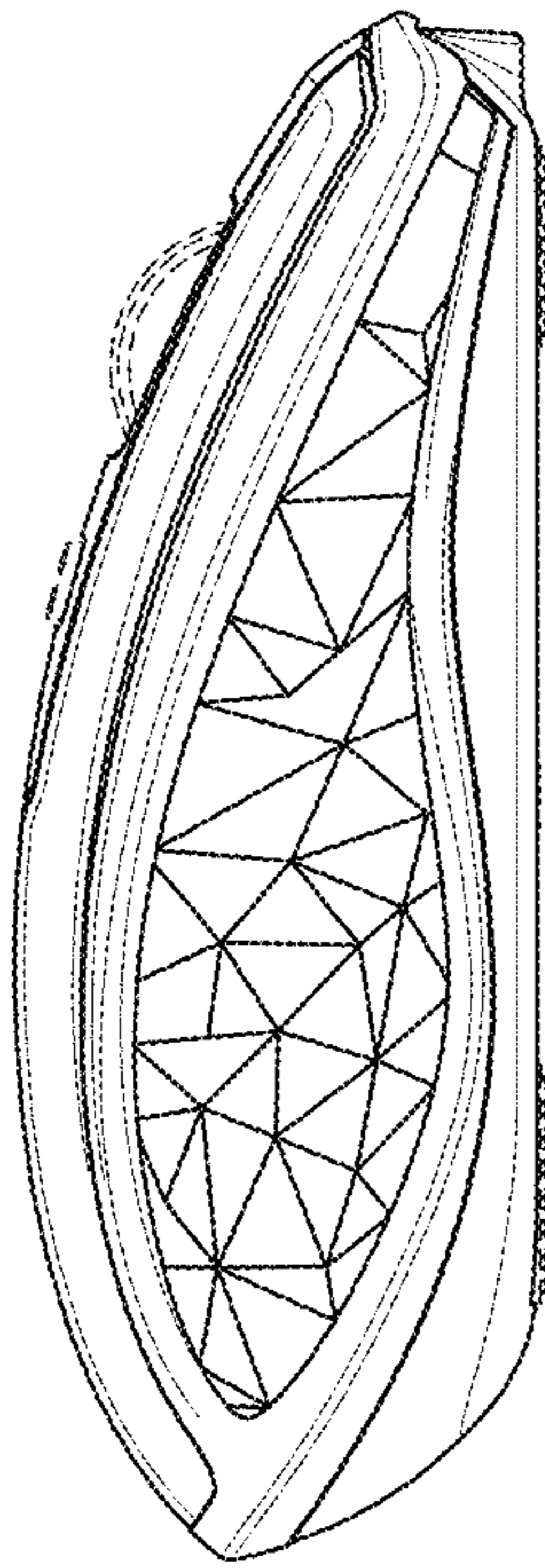


FIG. 17

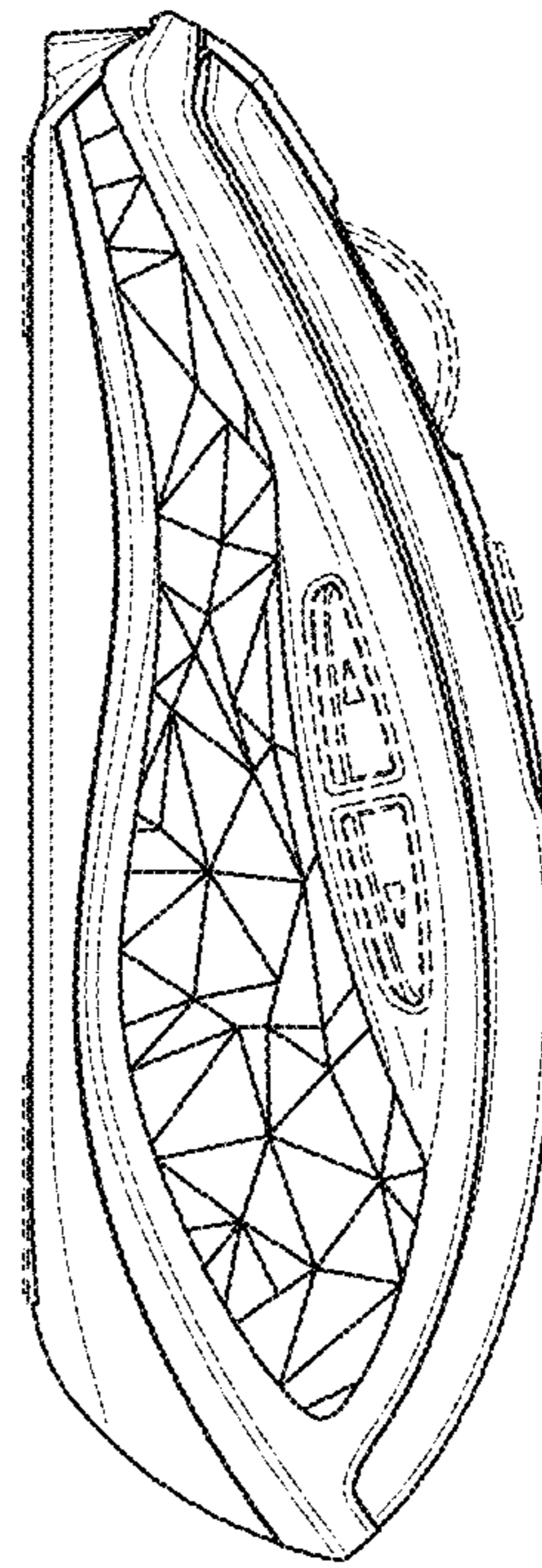


FIG. 18