



US00D768630S

(12) **United States Design Patent** (10) **Patent No.:** **US D768,630 S**
Austin (45) **Date of Patent:** **** Oct. 11, 2016**

(54) **ANTI-SKIM DEVICE**

FOREIGN PATENT DOCUMENTS

(71) Applicant: **John Nicholas Austin**, Long Island City, NY (US)

WO WO 2011132899 10/2011
WO WO 2013085391 A2 6/2013

(72) Inventor: **John Nicholas Austin**, Long Island City, NY (US)

OTHER PUBLICATIONS

(**) Term: **14 Years**

“Big discount coming ATM Parts NCR 5886 5887 anti fraud device/anti skimming/anti skimmer Good quality and best price” AliExpress.com http://www.aliexpress.com/store/product/ATM-PARTS-NCR-5886-5887-anti-fraud-device-anti-skimming-anti-skimmer-Good-quality-andbest/111082_540663816.html Last accessed around Nov. 4, 2014.

(21) Appl. No.: **29/515,214**

(22) Filed: **Jan. 21, 2015**

(51) **LOC (10) Cl.** **18-01**

(52) **U.S. Cl.**

USPC **D14/385**

(58) **Field of Classification Search**

USPC D14/356-358, 383-385, 420, 426, 427, D14/432-439, 447, 453, 454, 217, 253, D14/299; D13/107, 108, 133, 146, 147, D13/152, 154, 156, 158, 162, 162.1, 168, D13/173, 177, 102; 235/441, 451, 492, 380, 235/439, 375; 361/679.31, 600, 679.01, 361/679.02

CPC .. G06Q 20/347; G06Q 20/322; G06Q 40/02; G06Q 30/06; G07F 7/0886

See application file for complete search history.

(Continued)

Primary Examiner — Austin Murphy

(57) **CLAIM**

The ornamental design for an anti-skim device, as shown and described.

DESCRIPTION

FIG. 1 is a front perspective view of an anti-skim device of the present application, according to one aspect; FIG. 2 is a front view of the anti-skim device of FIG. 1; FIG. 3 is a rear view of the anti-skim device of FIG. 1; FIG. 4 is a right side view of the anti-skim device of FIG. 1; FIG. 5 is a left side view of the anti-skim device of FIG. 1; FIG. 6 is a top view of the anti-skim device of FIG. 1; FIG. 7 is a bottom view of the anti-skim device of FIG. 1; and, FIG. 8 is a front perspective view of the anti-skim device of FIG. 1 showing a card positioned in a portion of the anti-skim device.

The broken lines shown in FIGS. 1 and 3-15 are for illustrative purposes only and form no part of the claimed design.

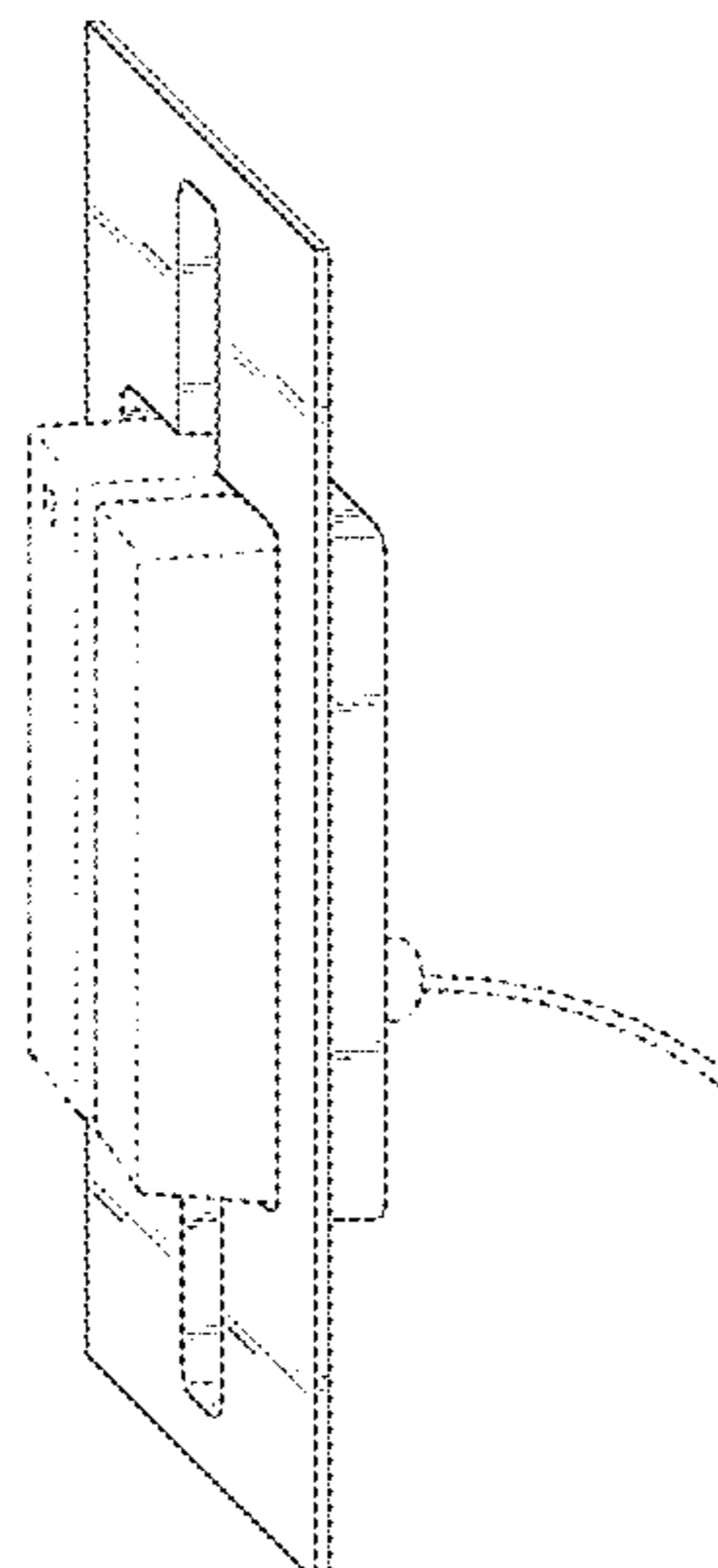
(56) **References Cited**

U.S. PATENT DOCUMENTS

D252,683 S	8/1979	Sheehan et al.	
D305,882 S	2/1990	Kato et al.	
D401,916 S	12/1998	Butts et al.	
D494,597 S	8/2004	Lucas et al.	
7,441,702 B2	10/2008	Tadamasa	
D607,000 S *	12/2009	Cheng	D14/385
D628,576 S	12/2010	Daniel	
8,002,176 B2	8/2011	Jenkins et al.	
D667,403 S *	9/2012	Maus	D13/107
D673,149 S *	12/2012	Nelson, Jr.	D14/385
D673,150 S *	12/2012	Nelson, Jr.	D14/385
D680,537 S *	4/2013	Miller	D14/385

(Continued)

1 Claim, 7 Drawing Sheets



(56)

References Cited

U.S. PATENT DOCUMENTS

D681,637 S * 5/2013 Nelson, Jr. D14/385
 8,556,168 B1 * 10/2013 Lewis G07F 19/20
 235/379
 D697,912 S * 1/2014 Nelson, Jr. D14/385
 8,640,947 B1 2/2014 Lewis et al.
 D705,226 S * 5/2014 Nelson, Jr. D14/385
 D710,358 S * 8/2014 Park D14/385
 D711,876 S * 8/2014 McWilliam D14/385
 D712,902 S * 9/2014 Daniel D14/385
 8,870,072 B2 10/2014 Van et al.
 D719,159 S * 12/2014 Nguyen D14/385
 D726,182 S * 4/2015 Durham D14/385
 D740,285 S * 10/2015 Templeton D14/385
 D746,540 S * 12/2015 Scott D14/385
 9,203,548 B2 * 12/2015 Ray H04K 3/825
 2006/0118624 A1 6/2006 Kelso et al.
 2008/0223932 A1 9/2008 Mueller et al.

2013/0140363 A1 6/2013 Hart
 2013/0299586 A1 11/2013 Yesil et al.
 2014/0158768 A1 6/2014 Ray et al.

OTHER PUBLICATIONS

“CSP Tec anti skimming solutions” csptec.nl <http://www.csptec.nl/applications.htm> Last accessed around Nov. 4, 2014.
 Kevin Purdy, “Know How to Spot an ATM Skimmer.” <http://lifehacker.com/5221255/know-how-to-spot-an-atm-skimmer> Last accessed Jan. 21, 2015.
 Interesting as f**k, “ATM Card Skimmer,” Comments in a web site BB http://www.reddit.com/r/interestingasf**k/comments/2kmdg6/atm_card_skimmer/ Last accessed around Nov. 4, 2014.
 “Anti fraud device ATM Parts NCR 5884 5885 anti skimming” partshe.com <http://www.partshe.com/ncr-atm-anti-fraud.html> Last accessed around Nov. 4, 2014.

* cited by examiner

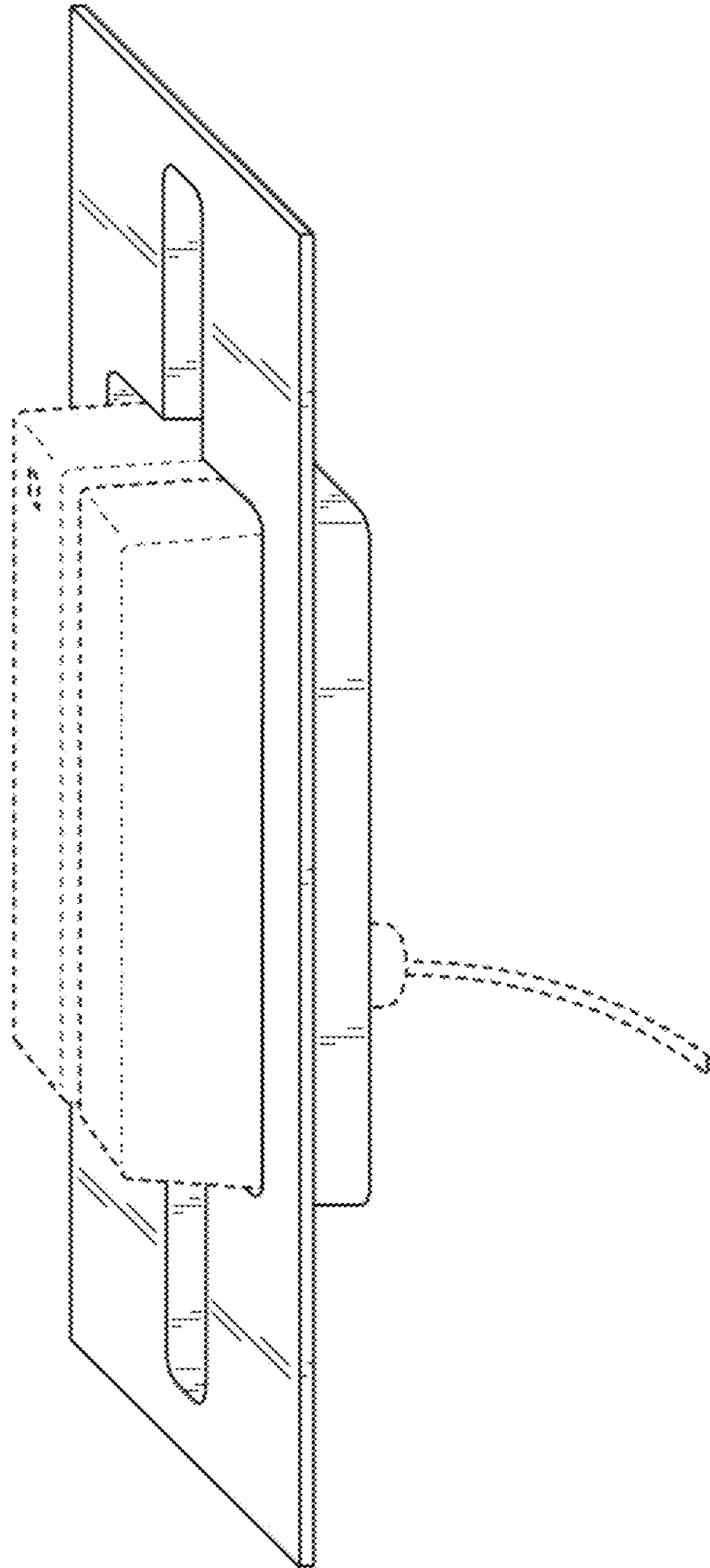


FIG. 1

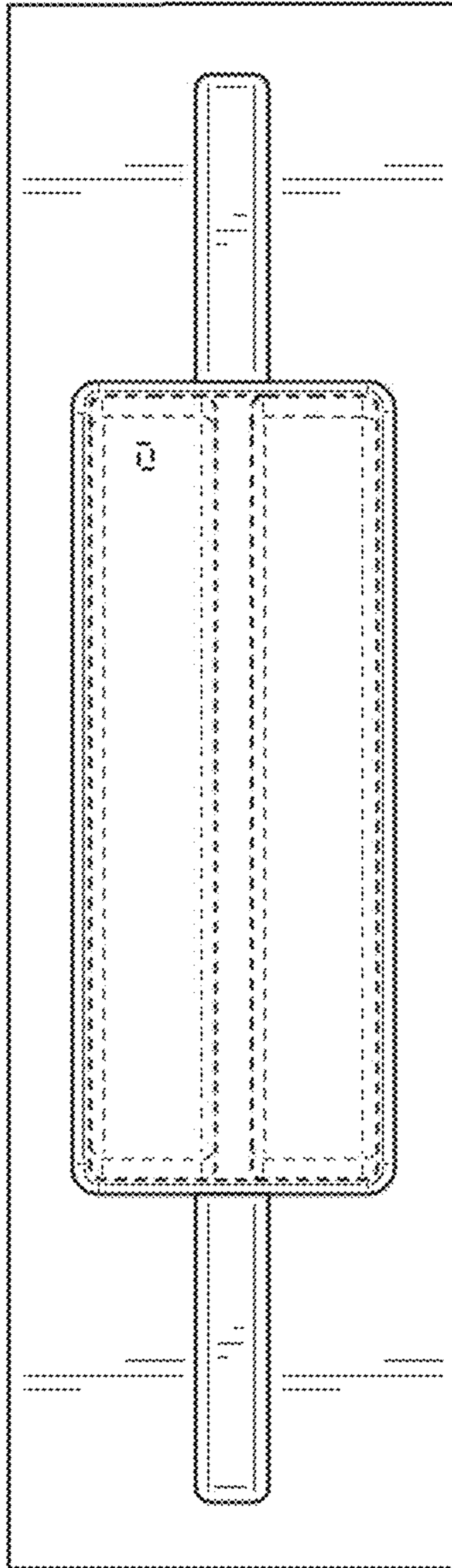


FIG. 2

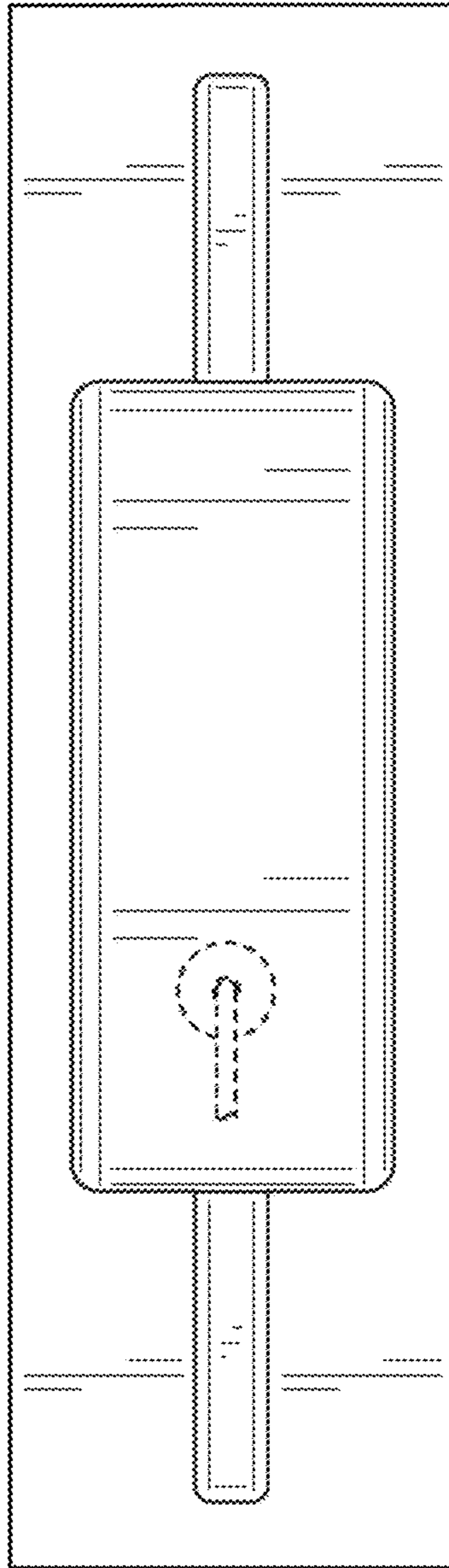


FIG. 3

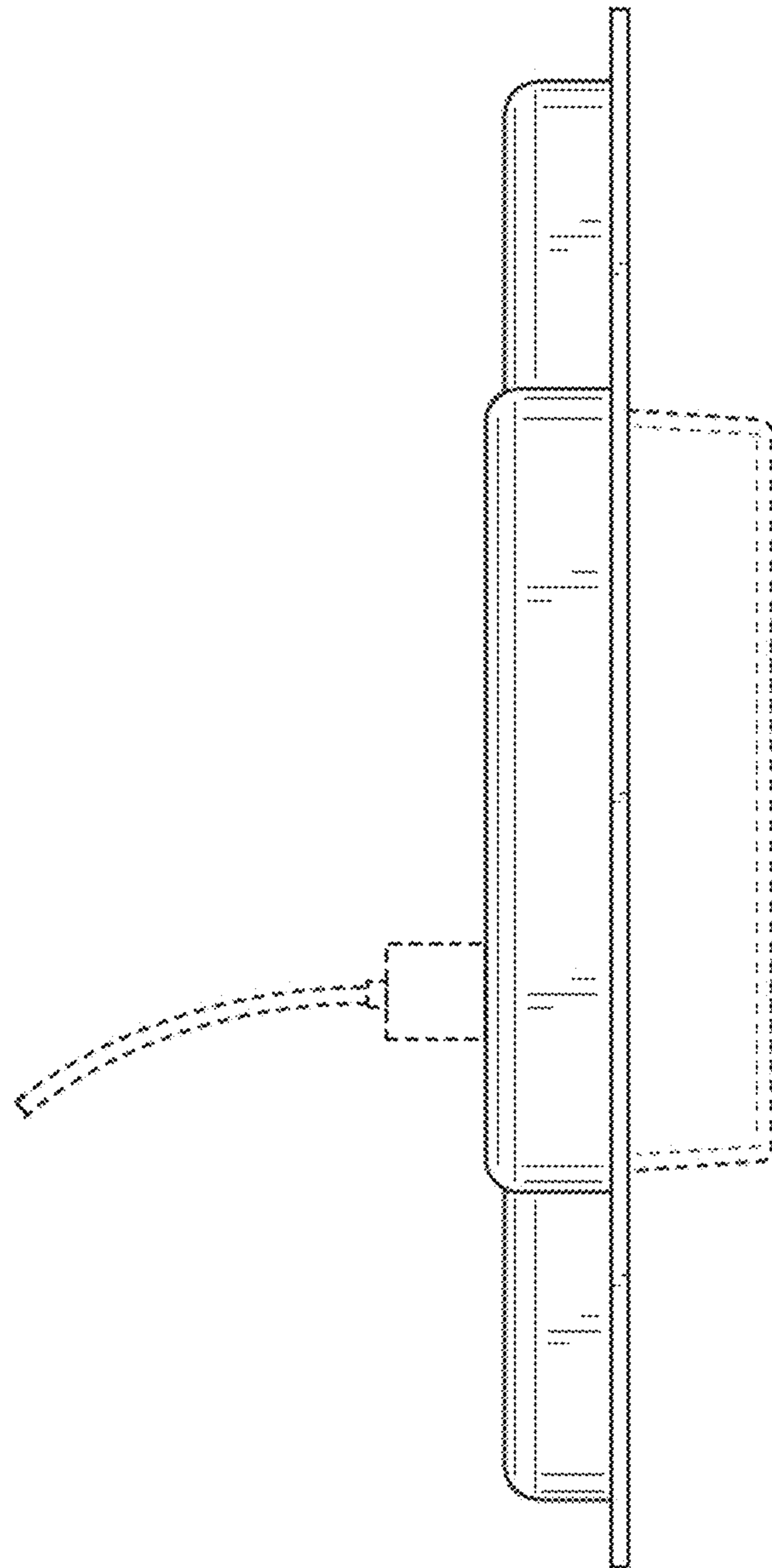


FIG. 4

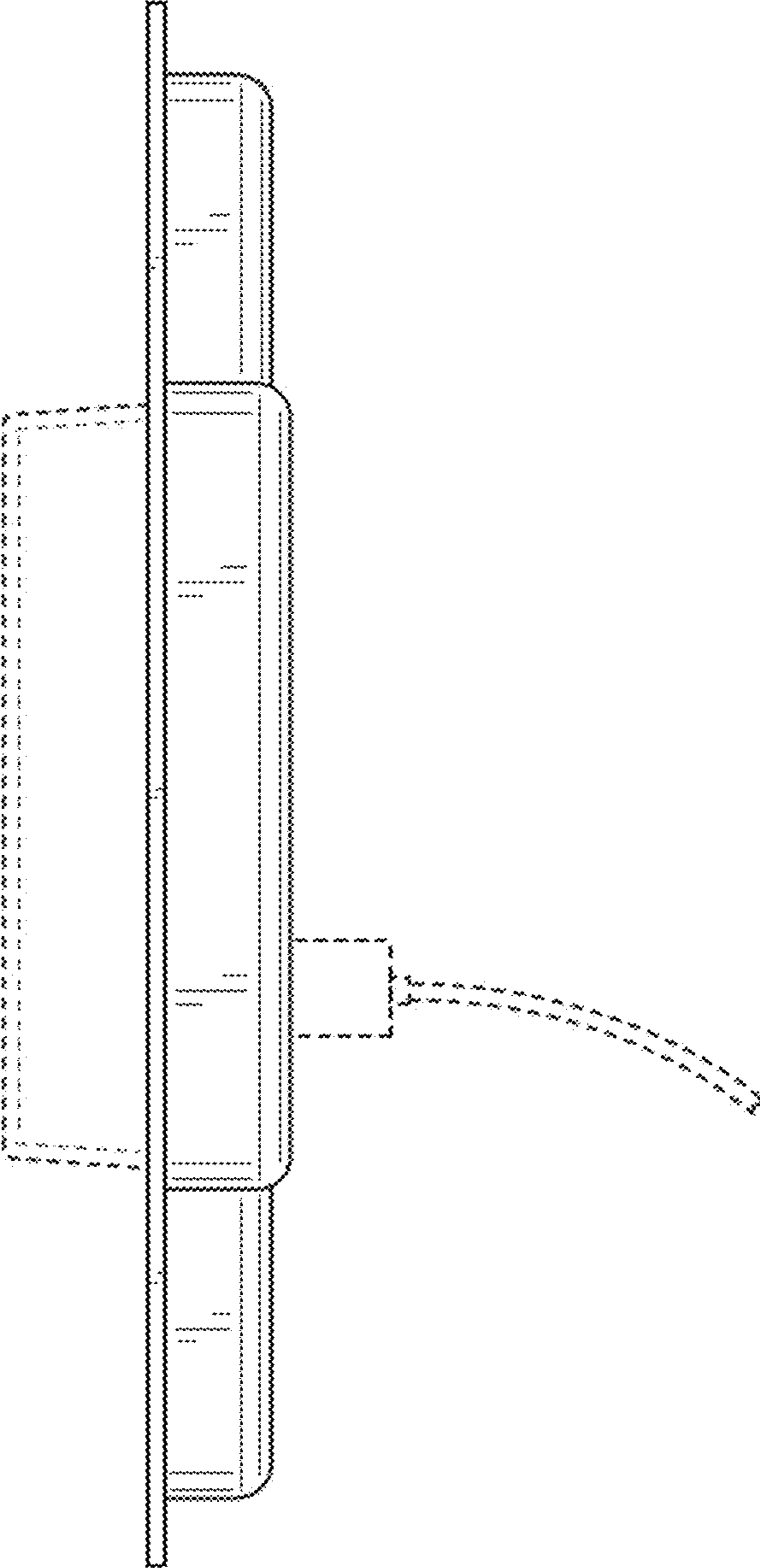


FIG. 5

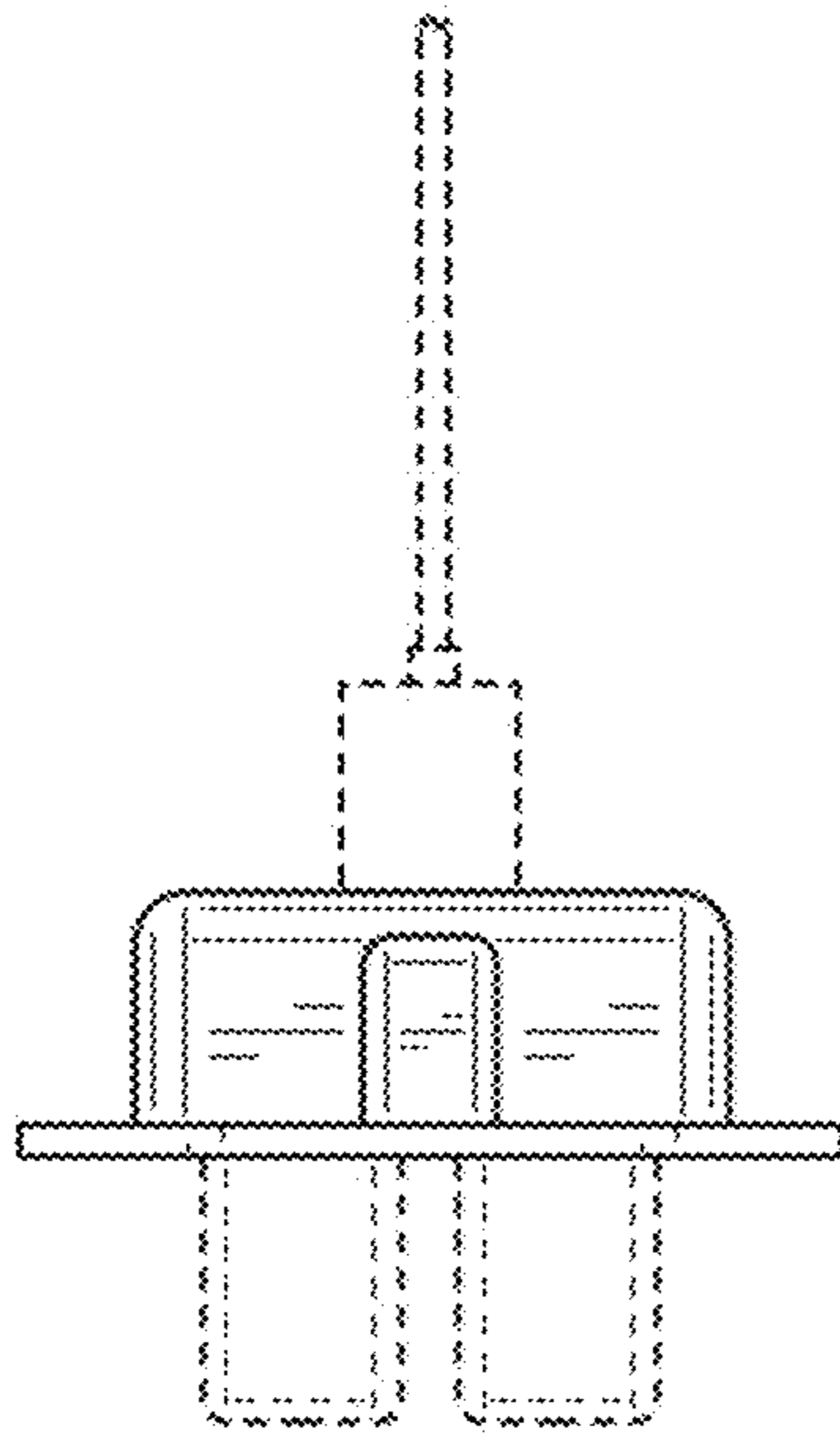


FIG. 6

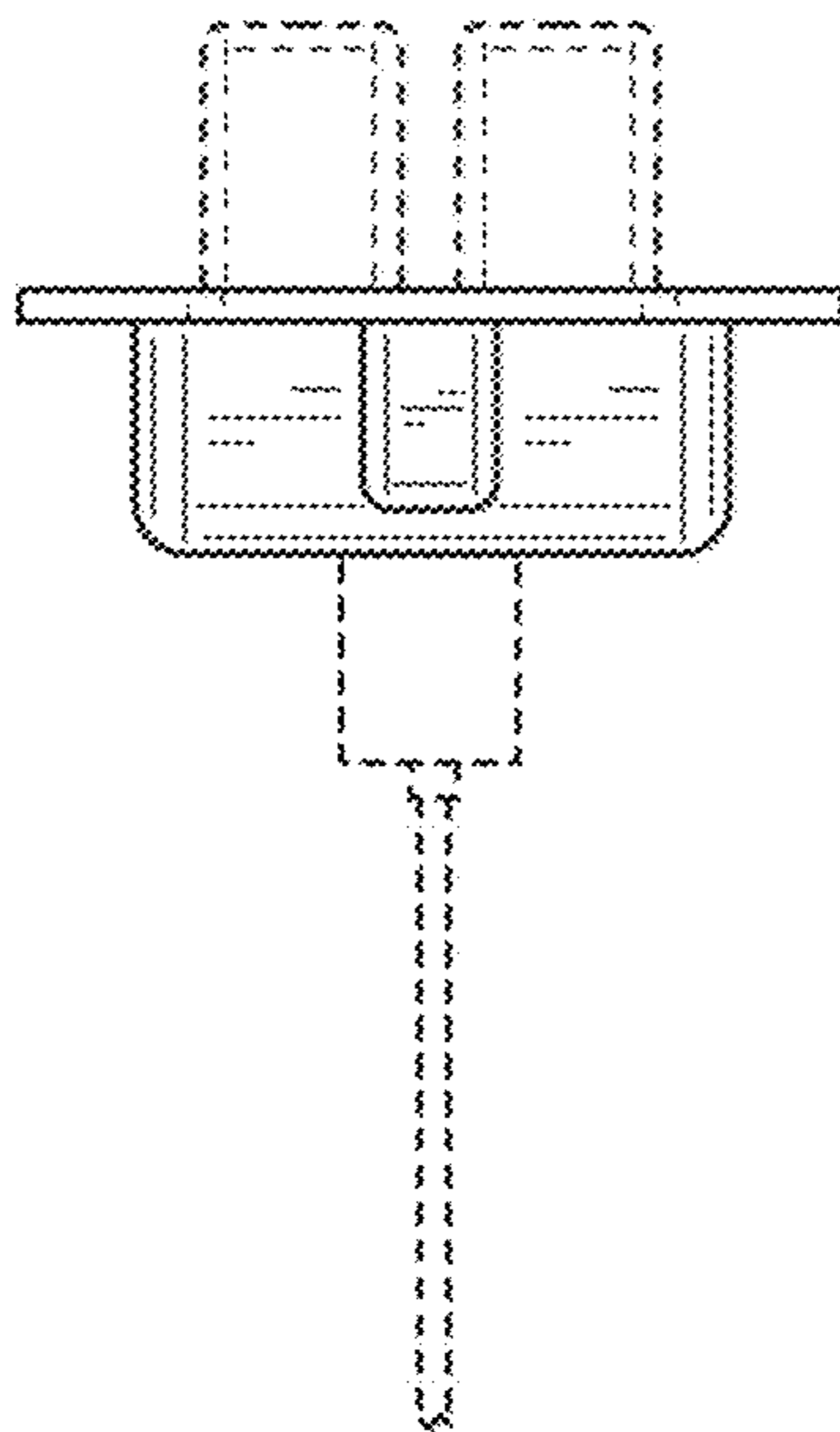


FIG. 7

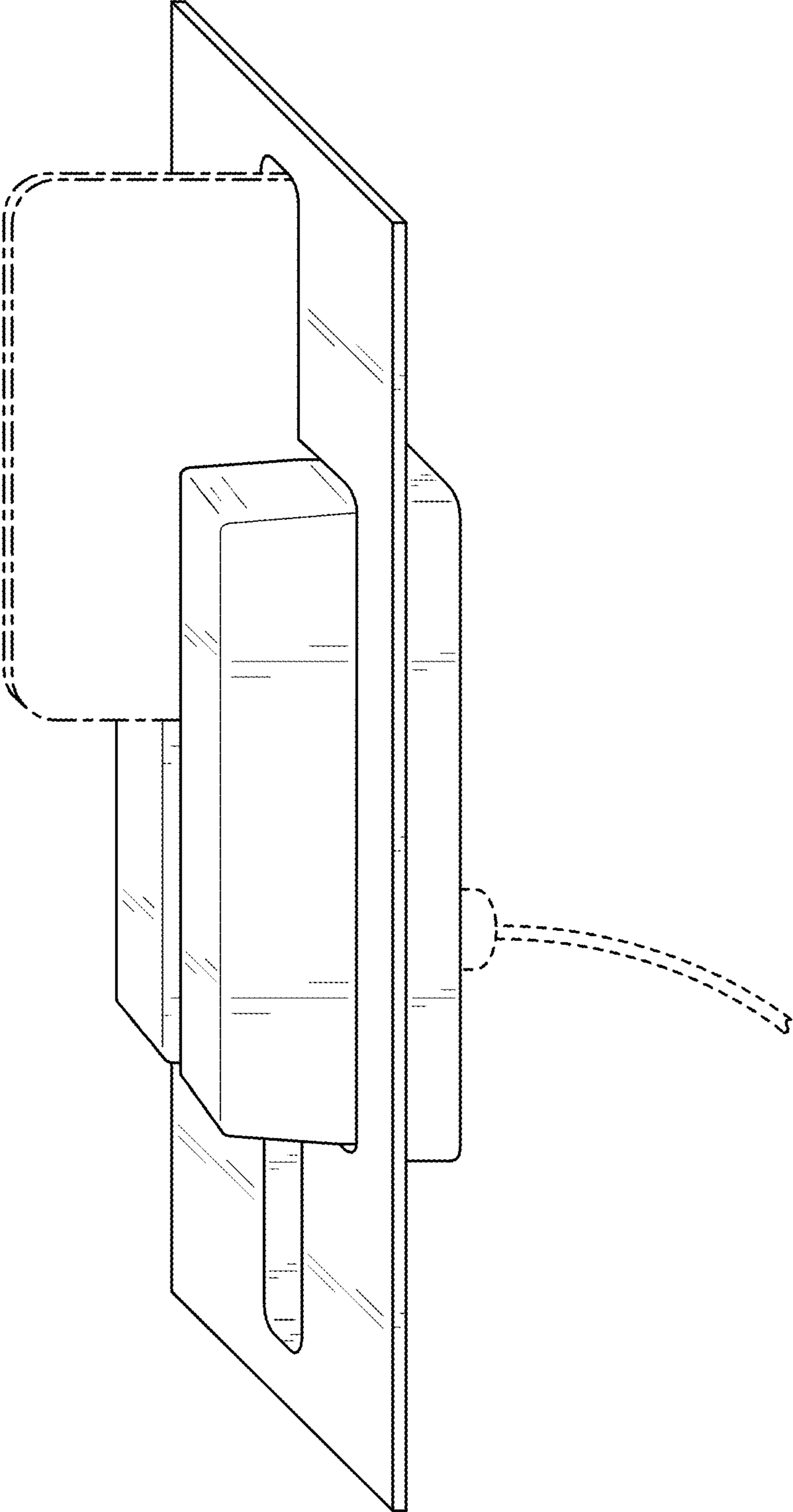


FIG. 8