



US00D768628S

(12) **United States Design Patent**
Choi et al.

(10) **Patent No.:** **US D768,628 S**
(45) **Date of Patent:** **** Oct. 11, 2016**

(54) **DISPLAY DEVICE**

(71) Applicant: **Samsung Electronics Co., Ltd.**,
Suwon-si (KR)

(72) Inventors: **Eun-Ha Choi**, Seoul (KR); **Sang-Min Hyun**, Seoul (KR); **Ki-Hyun Yoon**,
Busan-si (KR)

(73) Assignee: **Samsung Electronics Co., Ltd.**,
Suwon-si (KR)

(**) Term: **15 Years**

(21) Appl. No.: **29/537,784**

(22) Filed: **Aug. 28, 2015**

(30) **Foreign Application Priority Data**

Mar. 13, 2015 (KR) 30-2015-0012766

(51) **LOC (10) Cl.** **14-02**

(52) **U.S. Cl.**
USPC **D14/372**

(58) **Field of Classification Search**
USPC D14/372, 496, 432, 371, 125, 126, 129,
D14/299; D16/300-342; 351/158, 153, 144;
345/7-9, 905; 455/344; 348/115, 53,
348/121, 739
CPC G02B 27/017; G02B 27/0158; G02B
27/0161; G02B 27/0181; G02B 27/0185;
G02B 27/0189
See application file for complete search history.

(56) **References Cited**

U.S. PATENT DOCUMENTS

D660,341 S *	5/2012	Olsson	D16/300
D662,964 S *	7/2012	Olsson	D16/300
D664,184 S *	7/2012	Olsson	D16/300
D665,008 S *	8/2012	Olsson	D16/300
D691,602 S *	10/2013	Sugihara	D14/126
D711,373 S *	8/2014	Lee	D14/372

D719,569 S	12/2014	Heinrich et al.	
D724,585 S *	3/2015	Choo D14/372
D724,587 S *	3/2015	Choo D14/372
D726,719 S *	4/2015	Choo D14/372
D728,566 S *	5/2015	Kim D14/372
D738,420 S *	9/2015	Lee D14/372
D740,814 S *	10/2015	Bosveld D14/372
D749,074 S *	2/2016	Cazalet D14/372

(Continued)

FOREIGN PATENT DOCUMENTS

CN	201030257291.5	3/2011
CN	201330249985.8	11/2013

OTHER PUBLICATIONS

Andrew Williams. "Zeiss Cinemizer review". [2013] www.trustedreviews.com. May 17, 2013. <<http://www.trustedreviews.com/zeiss-cinemizer-review>>.

(Continued)

Primary Examiner — Austin Murphy

(74) *Attorney, Agent, or Firm* — NSIP Law

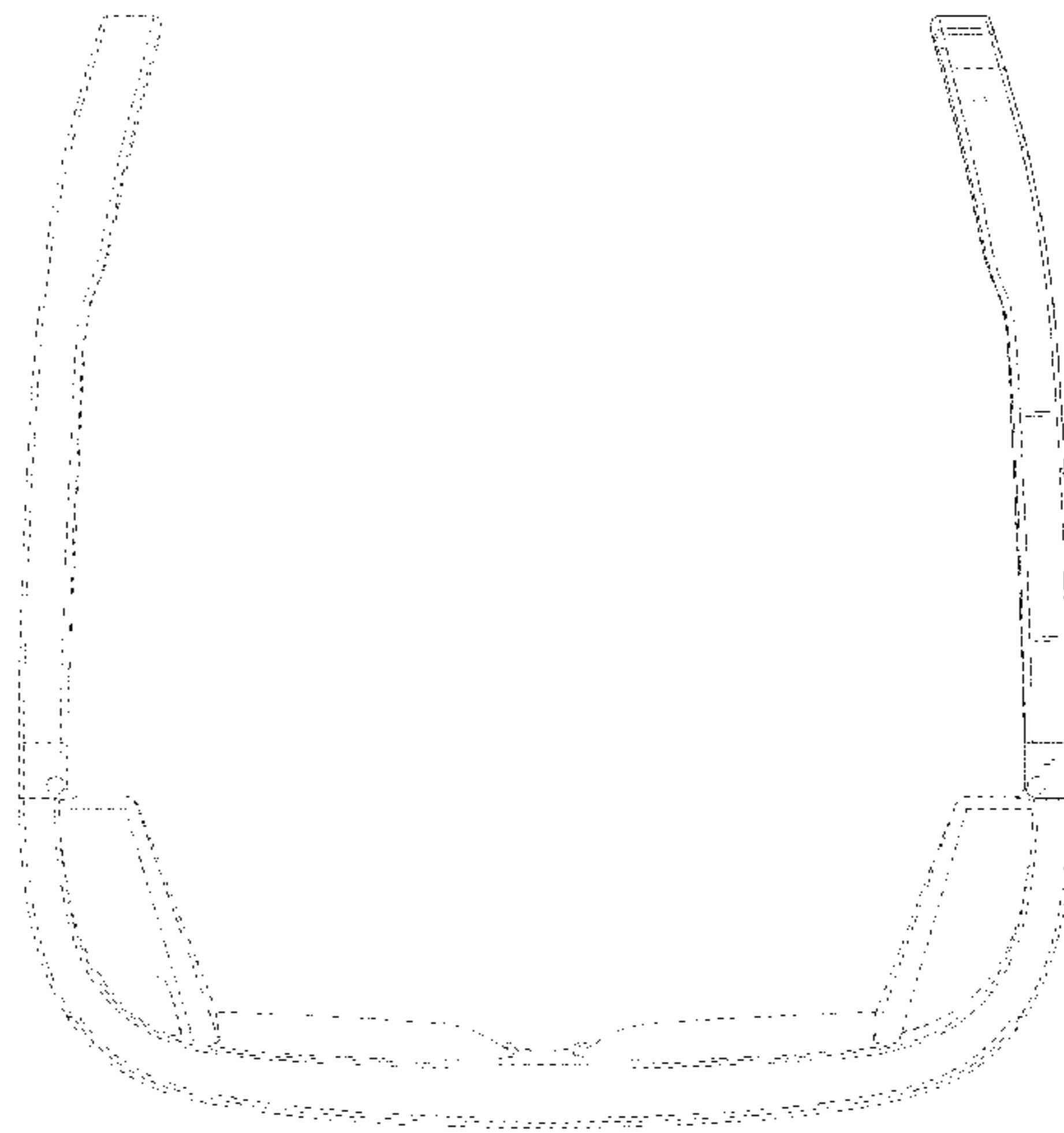
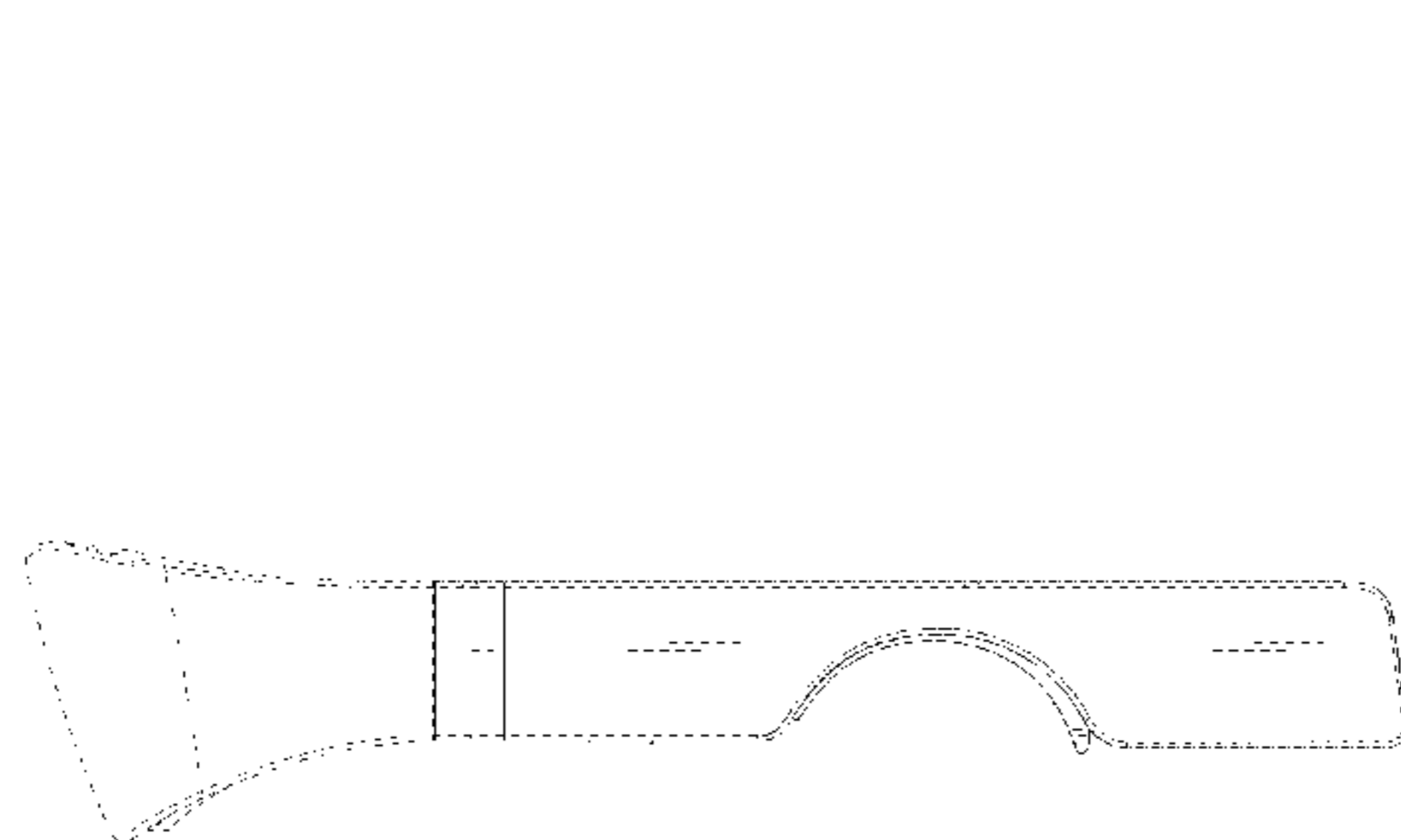
(57) **CLAIM**

We claim the ornamental design for a display device, as shown and described.

DESCRIPTION

FIG. 1 is a front perspective view of a display device showing our new design;
FIG. 2 is a front view thereof;
FIG. 3 is a rear view thereof;
FIG. 4 is a left-side view thereof;
FIG. 5 is a right-side view thereof;
FIG. 6 is a top view thereof;
FIG. 7 is a bottom view thereof; and,
FIG. 8 is another perspective view thereof.
The broken lines in the figures show portions of the display device which form no part of the claimed design.

1 Claim, 6 Drawing Sheets



(56)

References Cited

OTHER PUBLICATIONS

U.S. PATENT DOCUMENTS

D757,004 S * 5/2016 Park D14/372
D757,006 S * 5/2016 Cazalet D14/372
D757,007 S * 5/2016 Cazalet D14/372

Kim-Mai Cutler. "Atheer Labs Releases a First Enterprise Developer Kit for Its 3D, Wearable Glasses". [2014] techcrunch.com. Jul. 29, 2014 <<http://techcrunch.com/2014/07/29/atheer-labs/>>.

* cited by examiner

FIG. 1

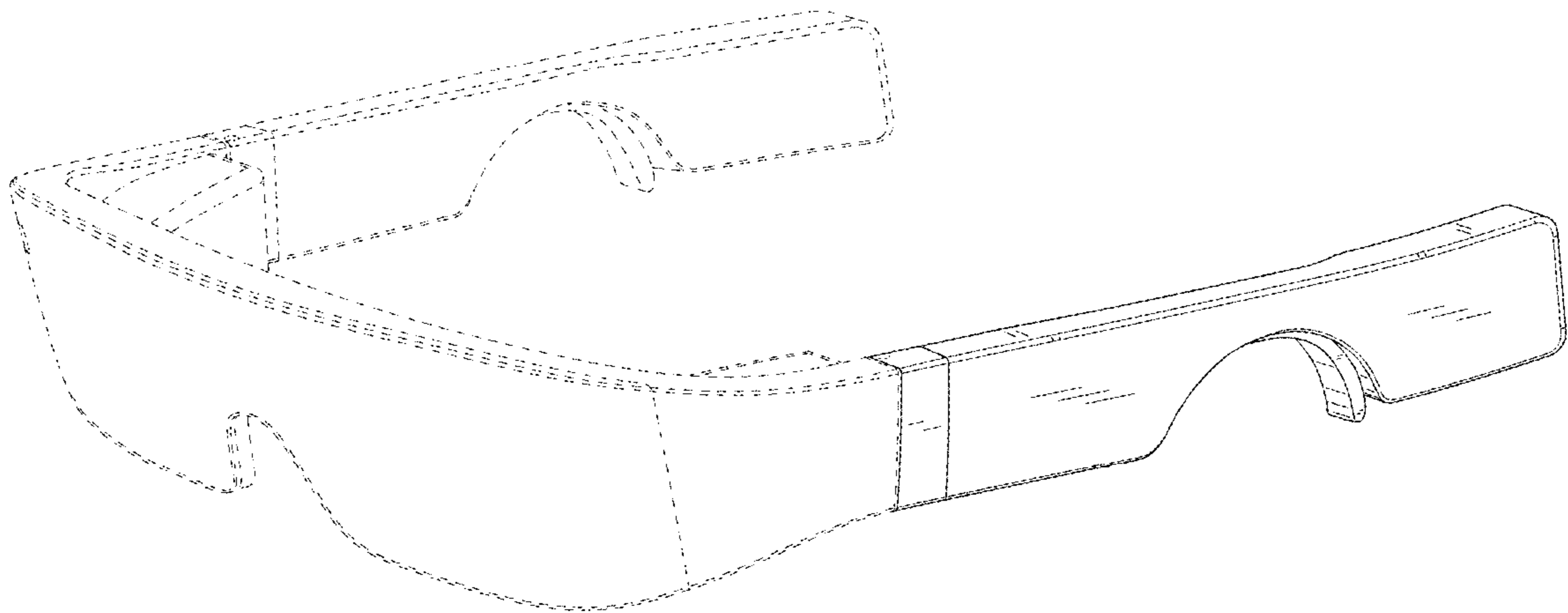


FIG. 2

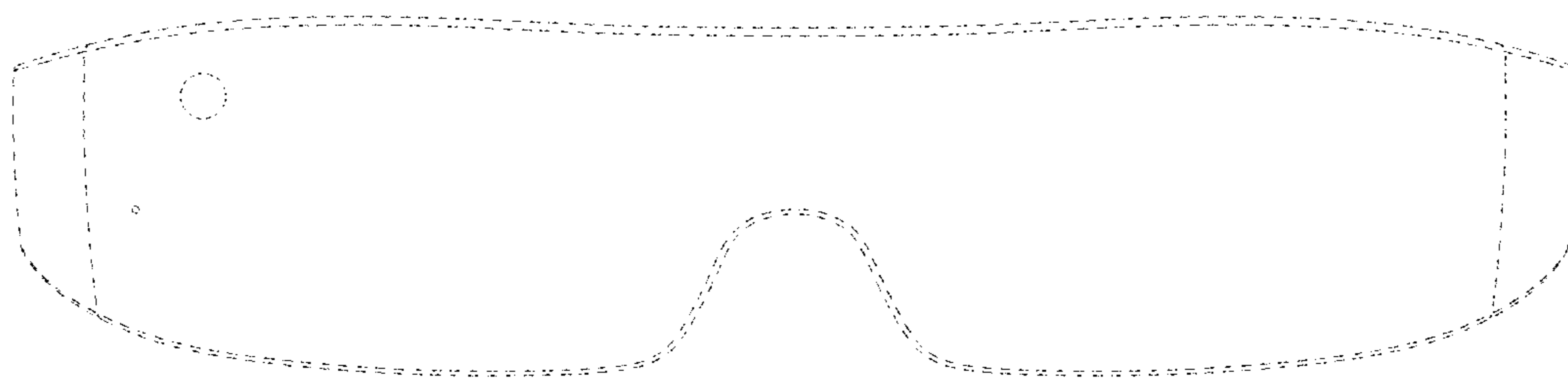


FIG. 3

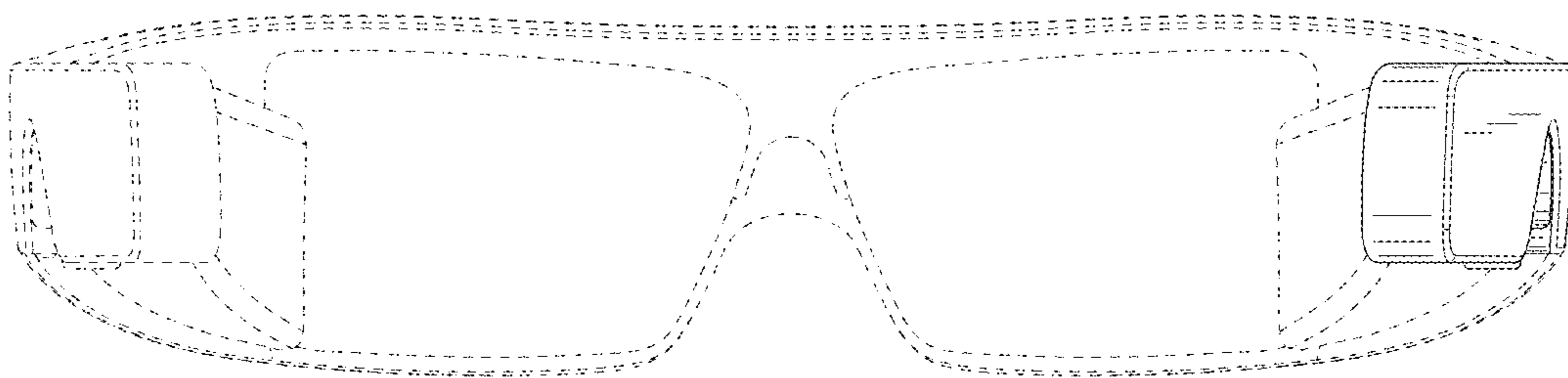


FIG. 4

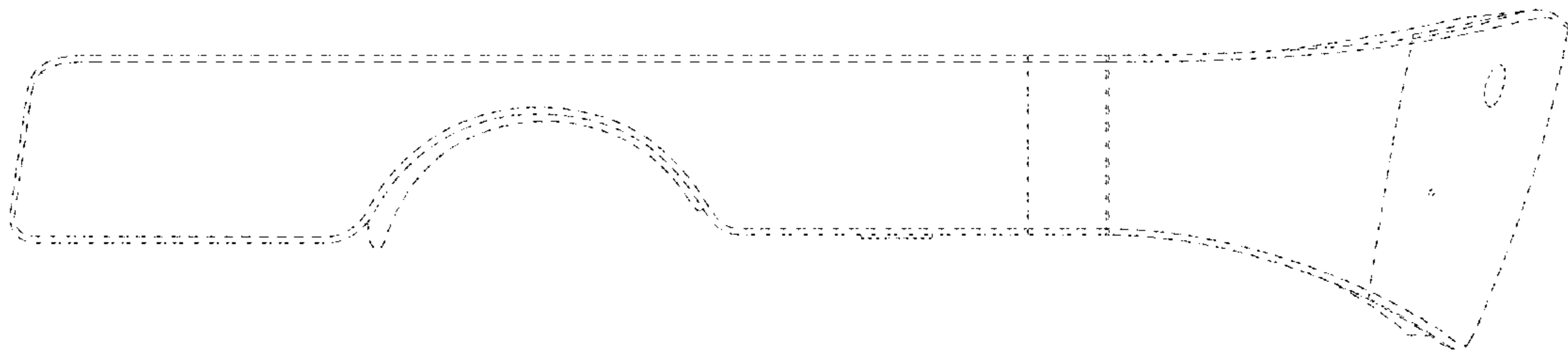


FIG. 5

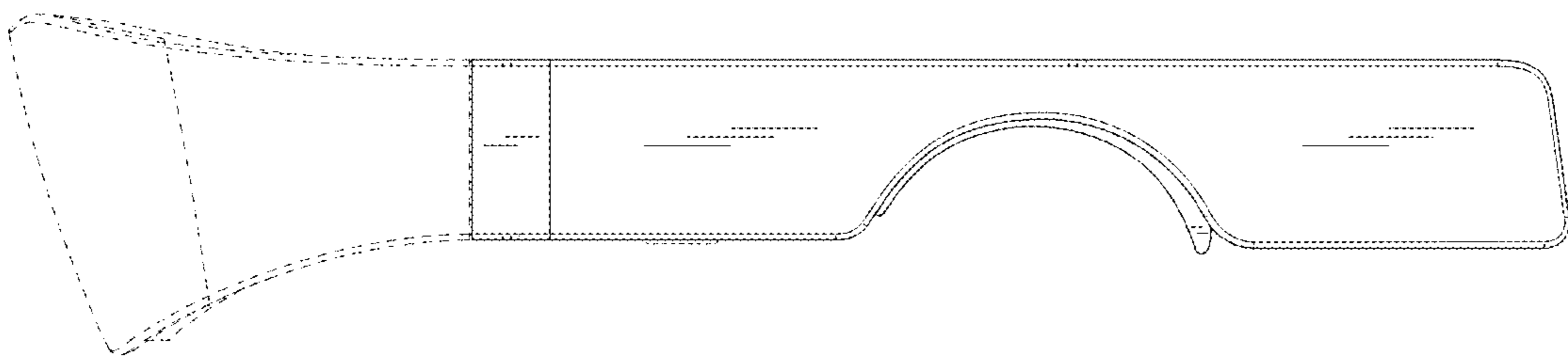


FIG. 6

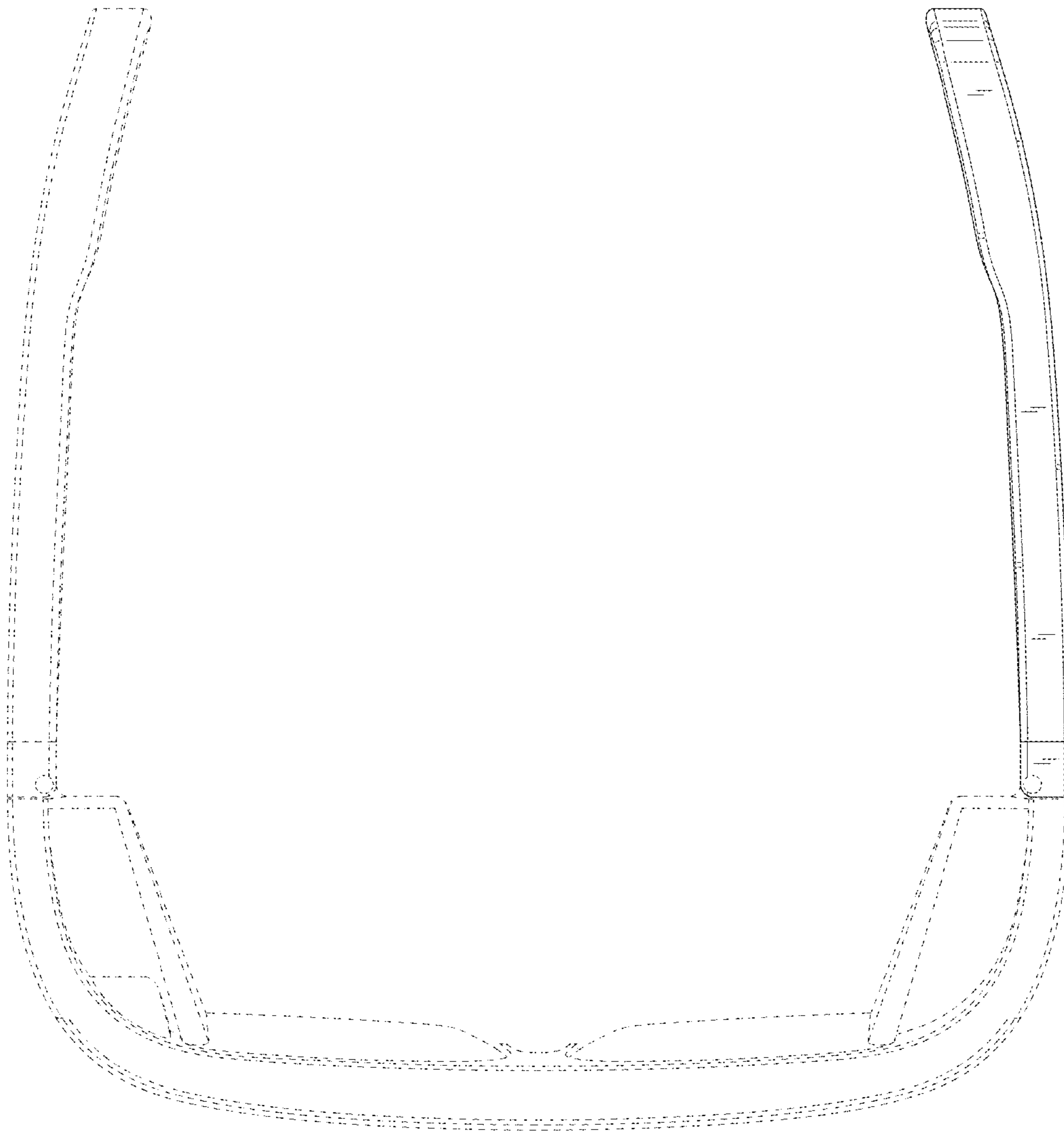


FIG. 7

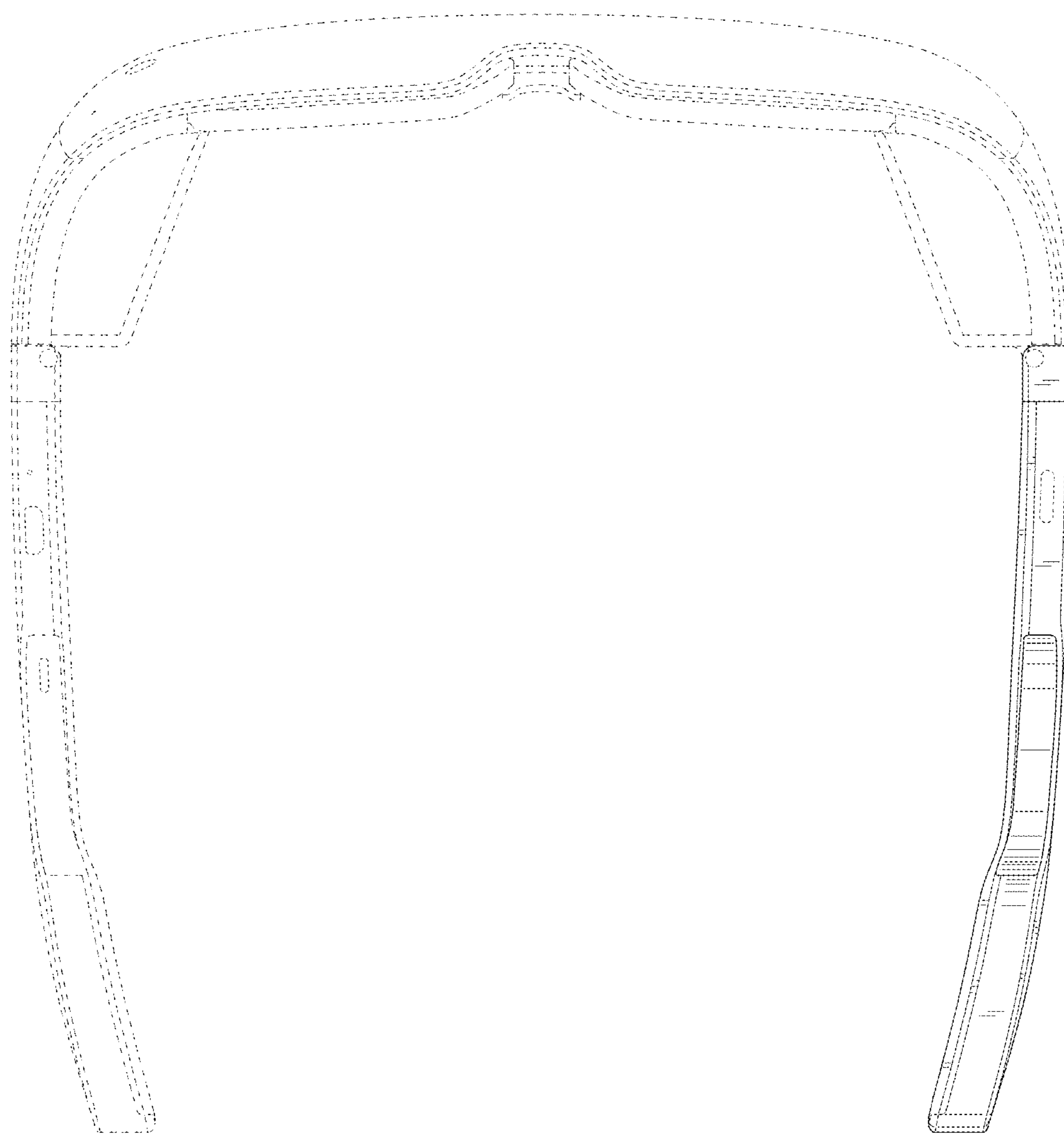


FIG. 8

