

US00D768627S

(12) **United States Design Patent** (10) **Patent No.:** **US D768,627 S**
Rochat et al. (45) **Date of Patent:** **** Oct. 11, 2016**

(54) **DISPLAY DEVICE**
(71) Applicant: **Samsung Electronics Co., Ltd.**,
Suwon-si (KR)
(72) Inventors: **Alex Rochat**, Seoul (KR); **Hye-Jee Choi**,
Seongnam-Si (KR); **Eun-Ha Choi**, Seoul (KR)
(73) Assignee: **Samsung Electronics Co., Ltd.**,
Suwon-si (KR)
(**) Term: **15 Years**
(21) Appl. No.: **29/537,766**
(22) Filed: **Aug. 28, 2015**
(30) **Foreign Application Priority Data**
Mar. 16, 2015 (KR) 30-2015-0013060
(51) **LOC (10) Cl.** **14-02**
(52) **U.S. Cl.**
USPC **D14/372**
(58) **Field of Classification Search**
USPC D14/372, 496, 432, 371, 126, 129,
D14/299; D16/300-342; 351/158, 153, 144;
345/7-9, 905; 455/344; 348/115, 53,
348/121, 739
CPC G02B 27/017; G02B 27/0158; G02B
27/0161; G02B 27/0181; G02B 27/0185;
G02B 27/0189
See application file for complete search history.

D740,816 S * 10/2015 Bosveld D14/372
D741,325 S * 10/2015 Bosveld D14/372
D741,858 S * 10/2015 Bosveld D14/372
D749,074 S * 2/2016 Cazalet D14/372
D751,551 S * 3/2016 Ho D14/372
D757,004 S * 5/2016 Park D14/372
D757,006 S * 5/2016 Cazalet D14/372
D757,007 S * 5/2016 Cazalet D14/372

FOREIGN PATENT DOCUMENTS

EM 002097683-0001 9/2012

OTHER PUBLICATIONS

Singeunho reporter (danielbt@betanews.net). "Battery pack" appeared to increase the battery life of Google Glass". [2013] m.betanews.net. Aug. 5, 2013. <<http://m.betanews.net/bbs/read.html?num=581676>>.
Darren Allan. "Smart glasses like HoloLens will become more widespread than smartphones". [2015] www.itproportal.com. <<http://www.itproportal.com/2015/02/03/smartglasses-like-hololens-will-become-widespread-smartphones/>>.

* cited by examiner

Primary Examiner — Austin Murphy
(74) *Attorney, Agent, or Firm* — NSIP Law

(57) **CLAIM**
We claim the ornamental design for a display device, as shown and described.

DESCRIPTION

FIG. 1 is a front perspective view of a display device showing our new design;
FIG. 2 is a front view thereof;
FIG. 3 is a rear view thereof;
FIG. 4 is a left-side view thereof;
FIG. 5 is a right-side view thereof;
FIG. 6 is a top view thereof;
FIG. 7 is a bottom view thereof; and,
FIG. 8 is another perspective view of the display device shown in an alternate position.
The broken lines in the figures show portions of the display device which form no part of the claimed design.

1 Claim, 6 Drawing Sheets

(56) **References Cited**
U.S. PATENT DOCUMENTS
D701,557 S 3/2014 Lee et al.
D724,585 S * 3/2015 Choo D14/372
D724,587 S * 3/2015 Choo D14/372
D726,719 S * 4/2015 Choo D14/372
D728,566 S * 5/2015 Kim D14/372
D738,420 S * 9/2015 Lee D14/372
D740,812 S * 10/2015 Bosveld D14/372
D740,814 S * 10/2015 Bosveld D14/372

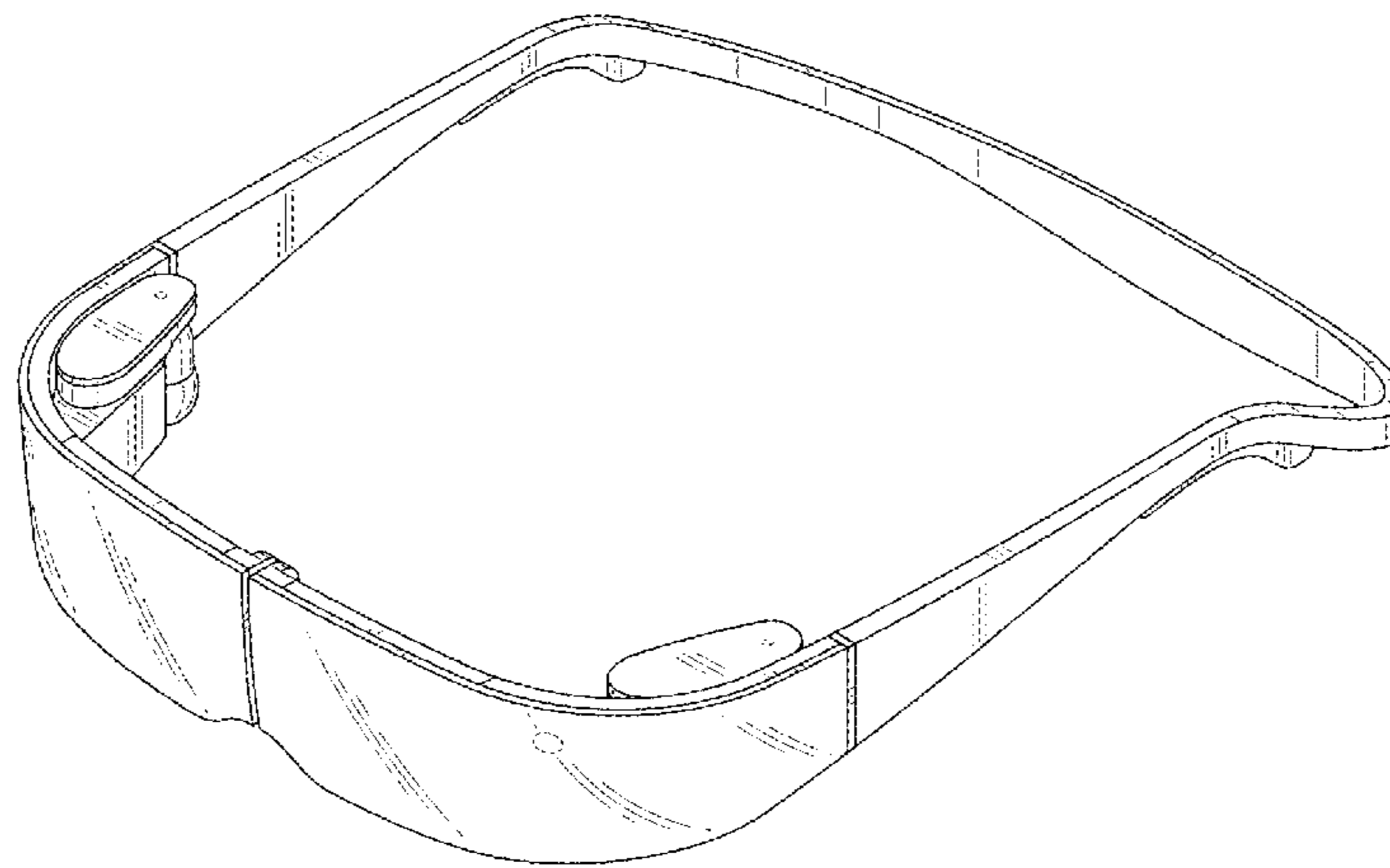


FIG. 1

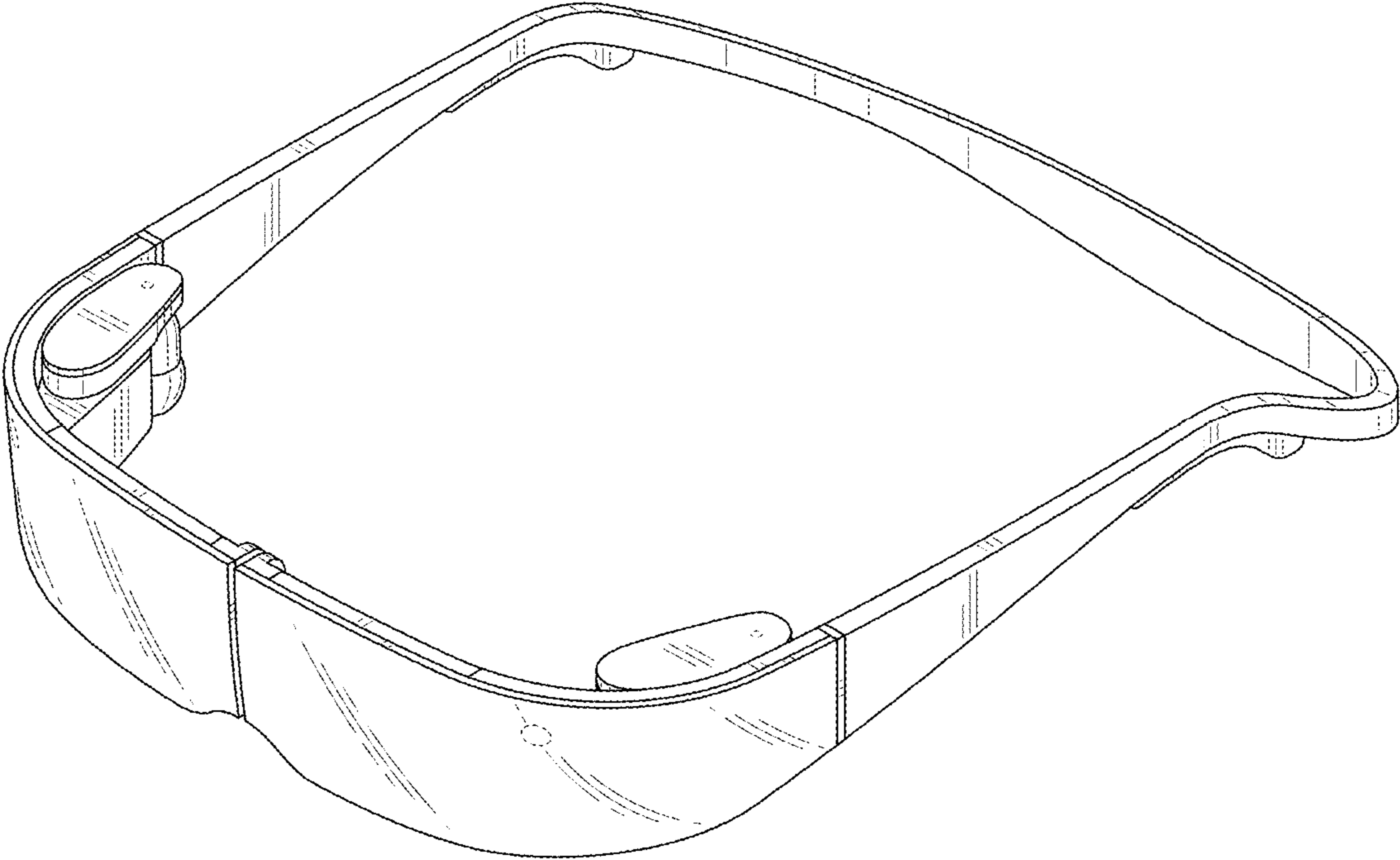


FIG. 2

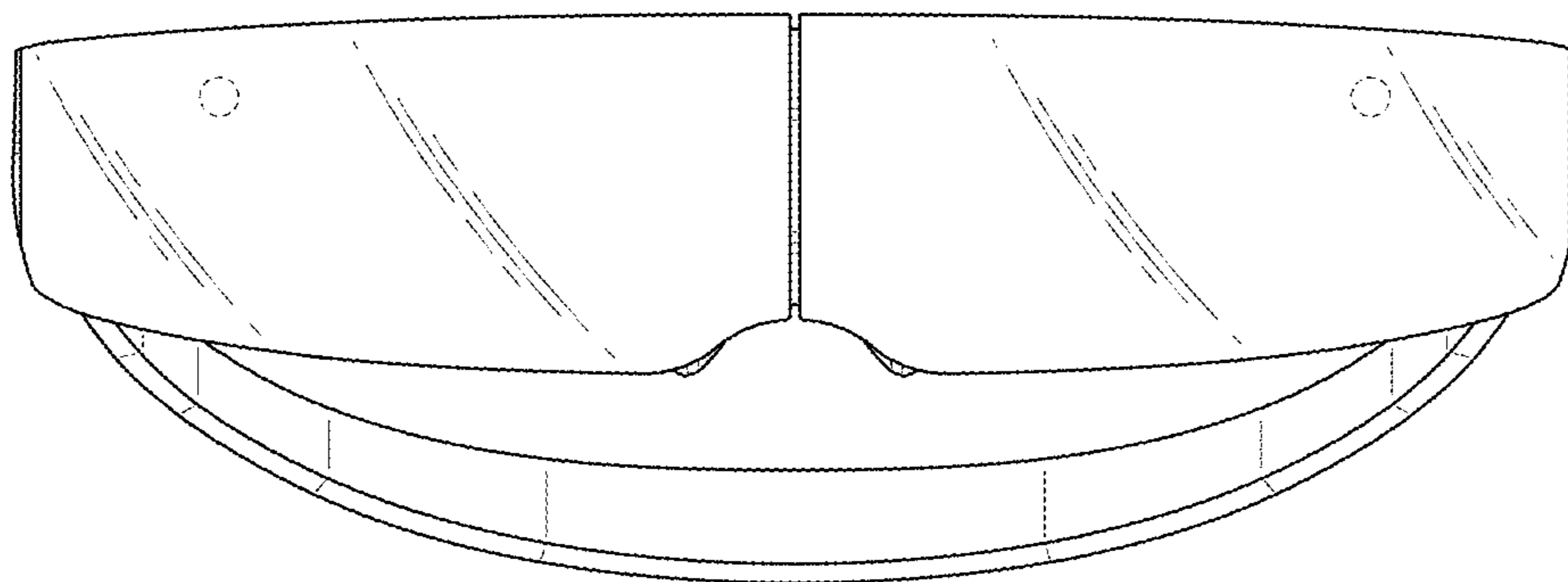


FIG. 3

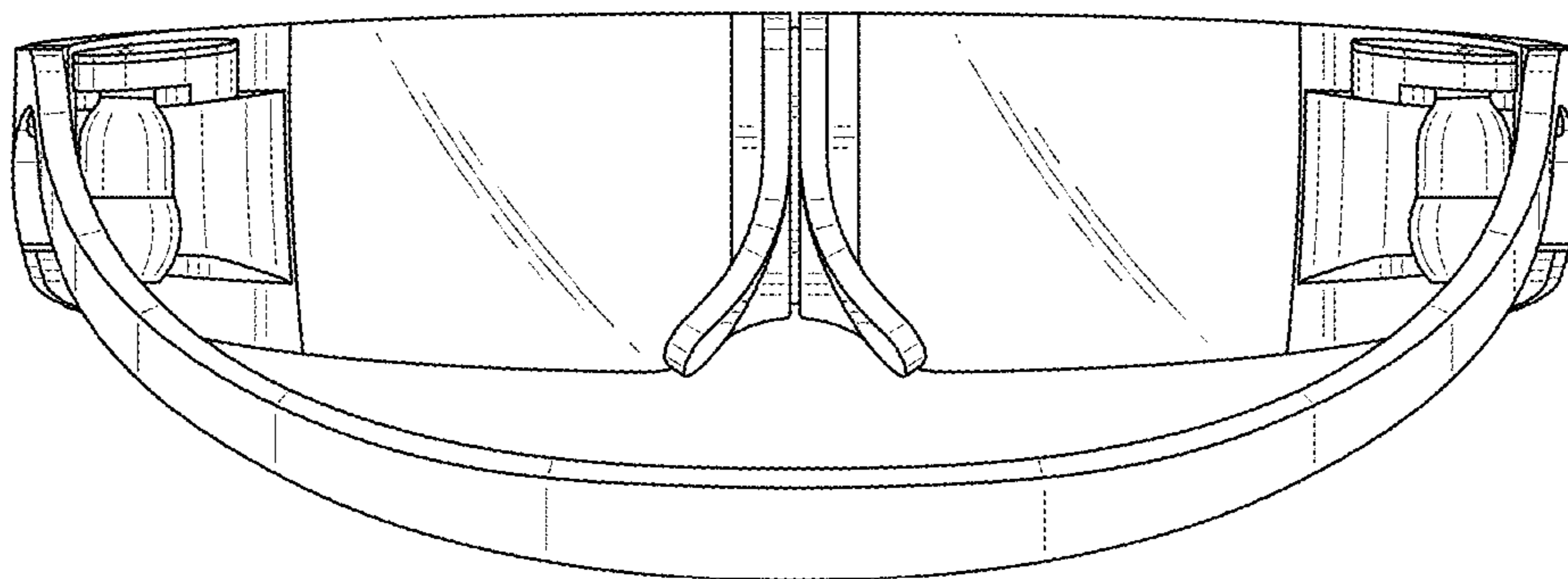


FIG. 4

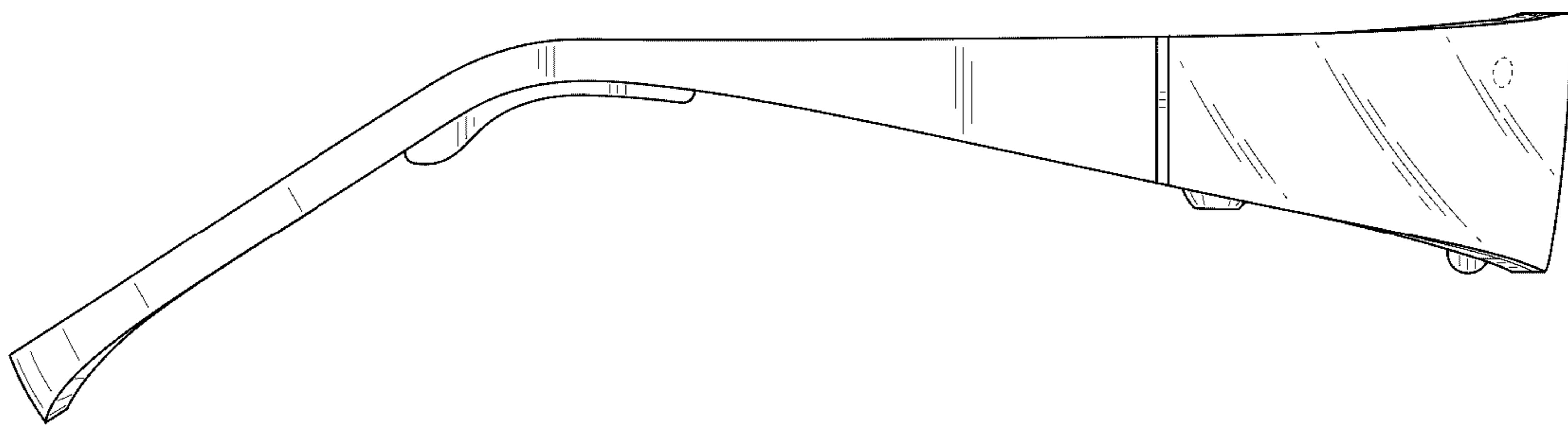


FIG. 5

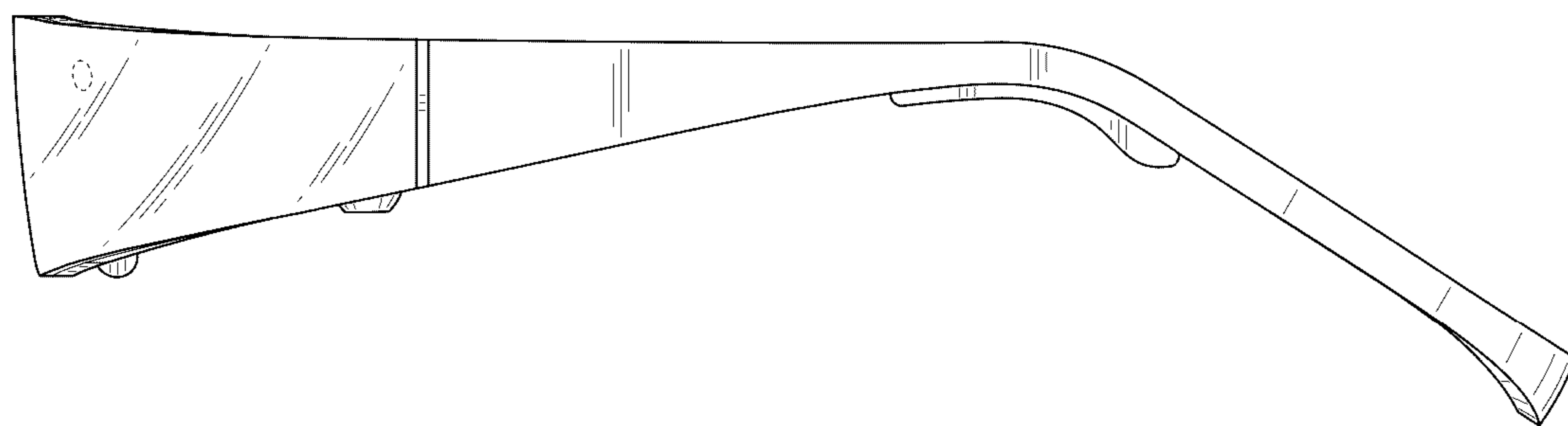


FIG. 6

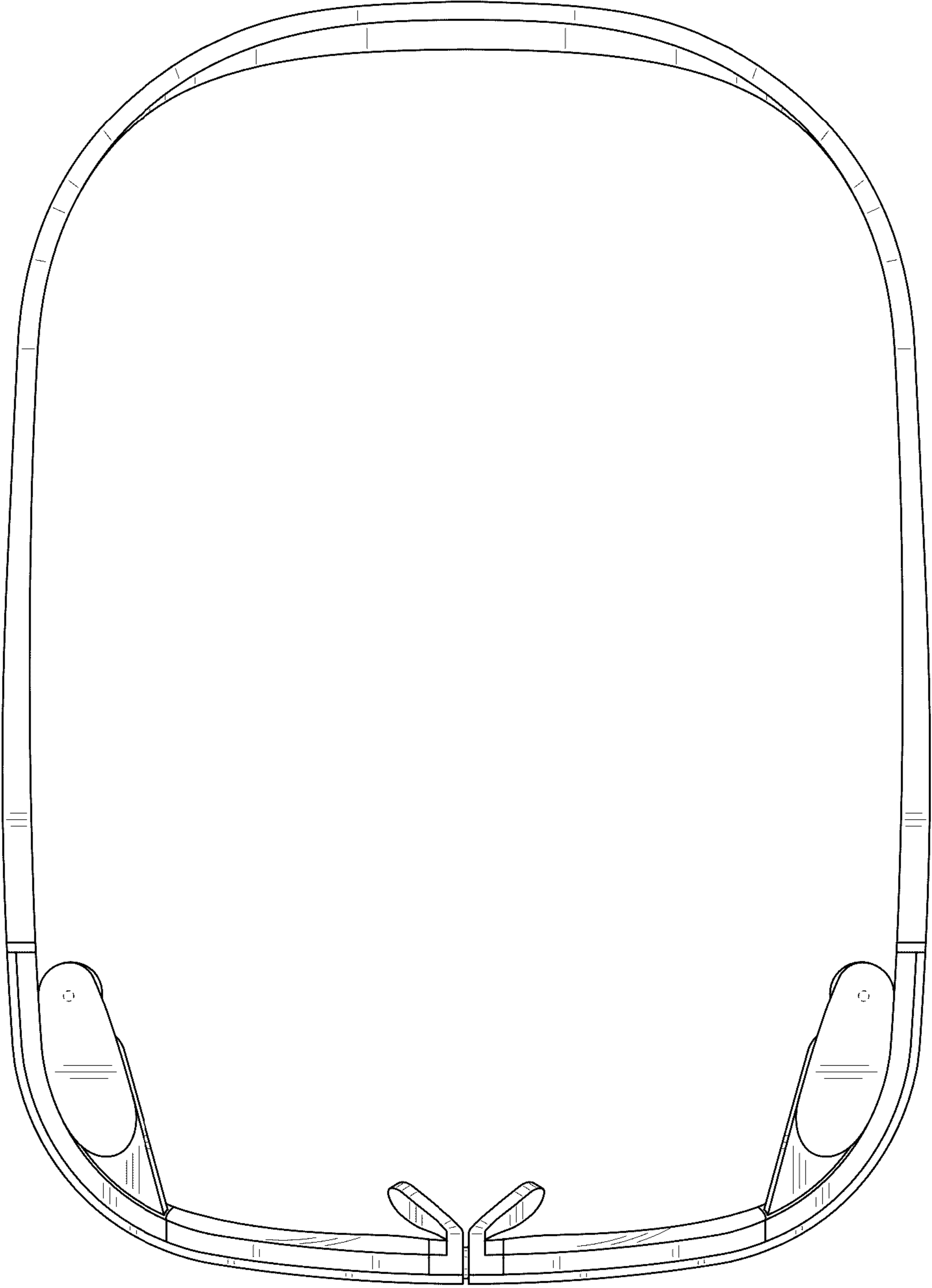


FIG. 7

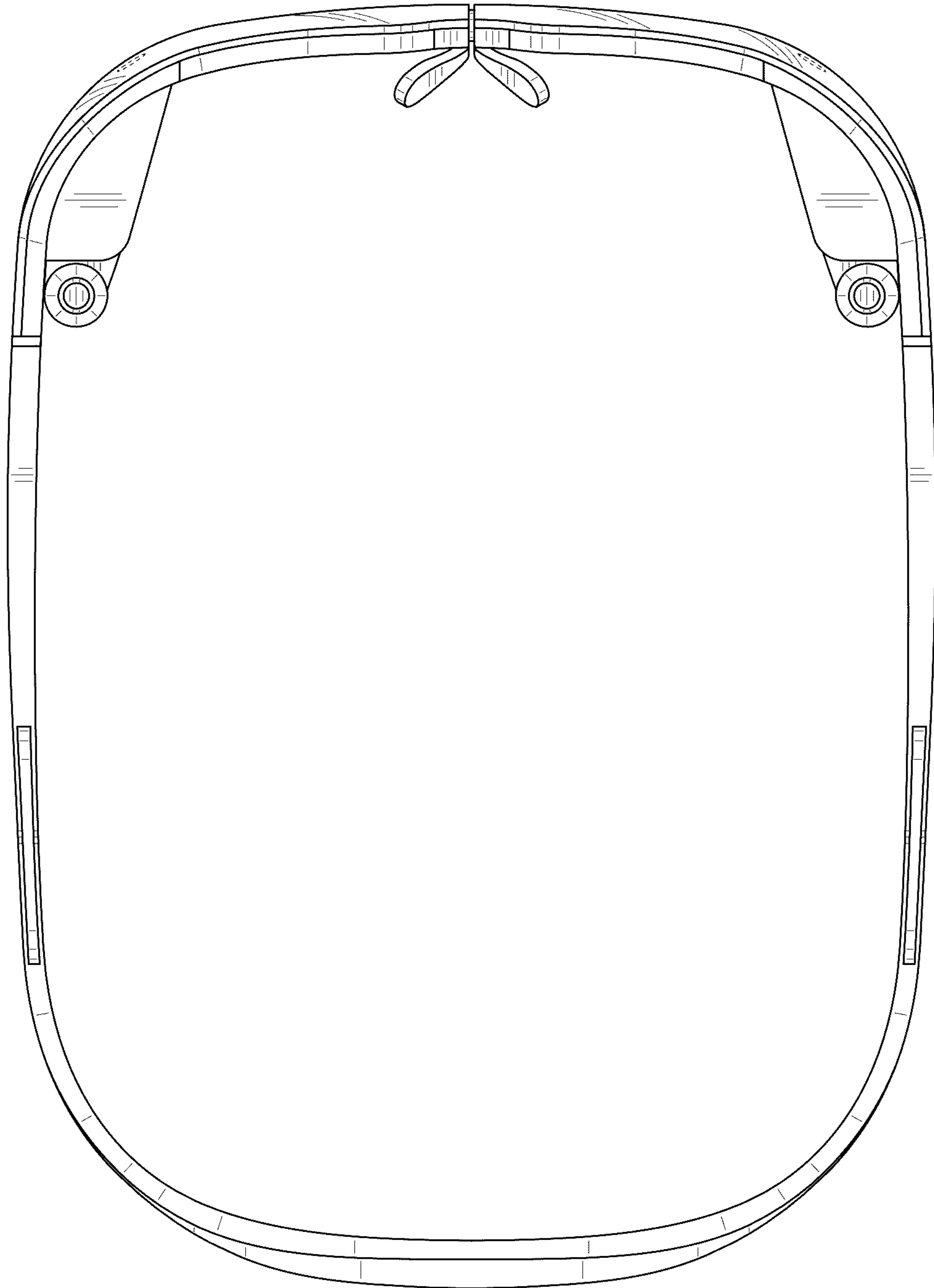


FIG. 8

