



US00D768624S

(12) **United States Design Patent**
Bae et al.

(10) **Patent No.:** **US D768,624 S**
(45) **Date of Patent:** **** Oct. 11, 2016**

(54) **PORTABLE ELECTRONIC DEVICE**

(71) Applicant: **Samsung Electronics Co., Ltd.**,
Suwon-si, Gyeonggi-do (KR)

(72) Inventors: **Junwon Bae**, Yongin-si (KR);
Jonghyuk Park, Seoul (KR); **Hoyoung Joo**,
Goyang-si (KR); **Gunwoong Kim**, Seoul (KR);
Kio Lee, Seoul (KR)

(73) Assignee: **SAMSUNG ELECTRONICS CO., LTD.**,
Suwon-Si, Gyeonggi-Do (KR)

(**) Term: **15 Years**

(21) Appl. No.: **29/533,078**

(22) Filed: **Jul. 14, 2015**

(30) **Foreign Application Priority Data**

Jan. 16, 2015 (KR) 30-2015-0002315

(51) **LOC (10) Cl.** **14-02**

(52) **U.S. Cl.**
USPC **D14/345**; D14/331; D14/341; D14/374

(58) **Field of Classification Search**
USPC D14/371–375, 125–129, 336, 337, 341,
D14/345, 391–392, 331, 455; 341/12;
345/104, 156, 168, 173; 348/180, 184,
348/325, 739; 349/1, 2, 11, 62;
361/679.05–679.07, 679.21; D6/300,
D6/301, 308, 310; D16/241

CPC G06F 1/16; G06F 1/1601; G06F 3/037;
G06F 1/162; G06F 1/1626; G06F 1/1652;
G06F 1/1656; G09G 2380/02; G09G
2340/0464; G09G 2320/0238; H05K 5/0017;
H05K 5/0217; H05K 1/028; G02F 1/133305
See application file for complete search history.

(56) **References Cited**

U.S. PATENT DOCUMENTS

6,490,154 B2 * 12/2002 Thompson G06F 1/1632
361/679.09

(Continued)

FOREIGN PATENT DOCUMENTS

CN 302772687 S 3/2014
KR 30-0515152 12/2008
KR 30-0725694 1/2014

Primary Examiner — Freda S Nunn

(74) *Attorney, Agent, or Firm* — Ladas & Parry LLP

(57) **CLAIM**

We claim the ornamental design for a portable electronic device, as shown and described.

DESCRIPTION

FIG. 1 is a perspective view of a portable electronic device showing our new design in an unfolded position;

FIG. 2 is a front elevational view thereof;

FIG. 3 is a rear elevational view thereof;

FIG. 4 is a left side elevational view thereof;

FIG. 5 is a right side elevational view thereof;

FIG. 6 is a top plan view thereof;

FIG. 7 is a bottom plan view thereof;

FIG. 8 is a perspective view of the portable electronic device showing our new design in a folded position;

FIG. 9 is a front elevational view thereof in a folded position;

FIG. 10 is a rear elevational view thereof in a folded position;

FIG. 11 is a left side elevational view thereof in a folded position;

FIG. 12 is a right side elevational view thereof in a folded position;

FIG. 13 is a top plan view thereof in a folded position;

FIG. 14 is a bottom plan view thereof in a folded position;

FIG. 15 is an enlarged view of FIG. 11;

FIG. 16 is an enlarged view of the portion marked as 16 in FIG. 4;

FIG. 17 is an enlarged view of the portion marked as 17 in FIG. 1;

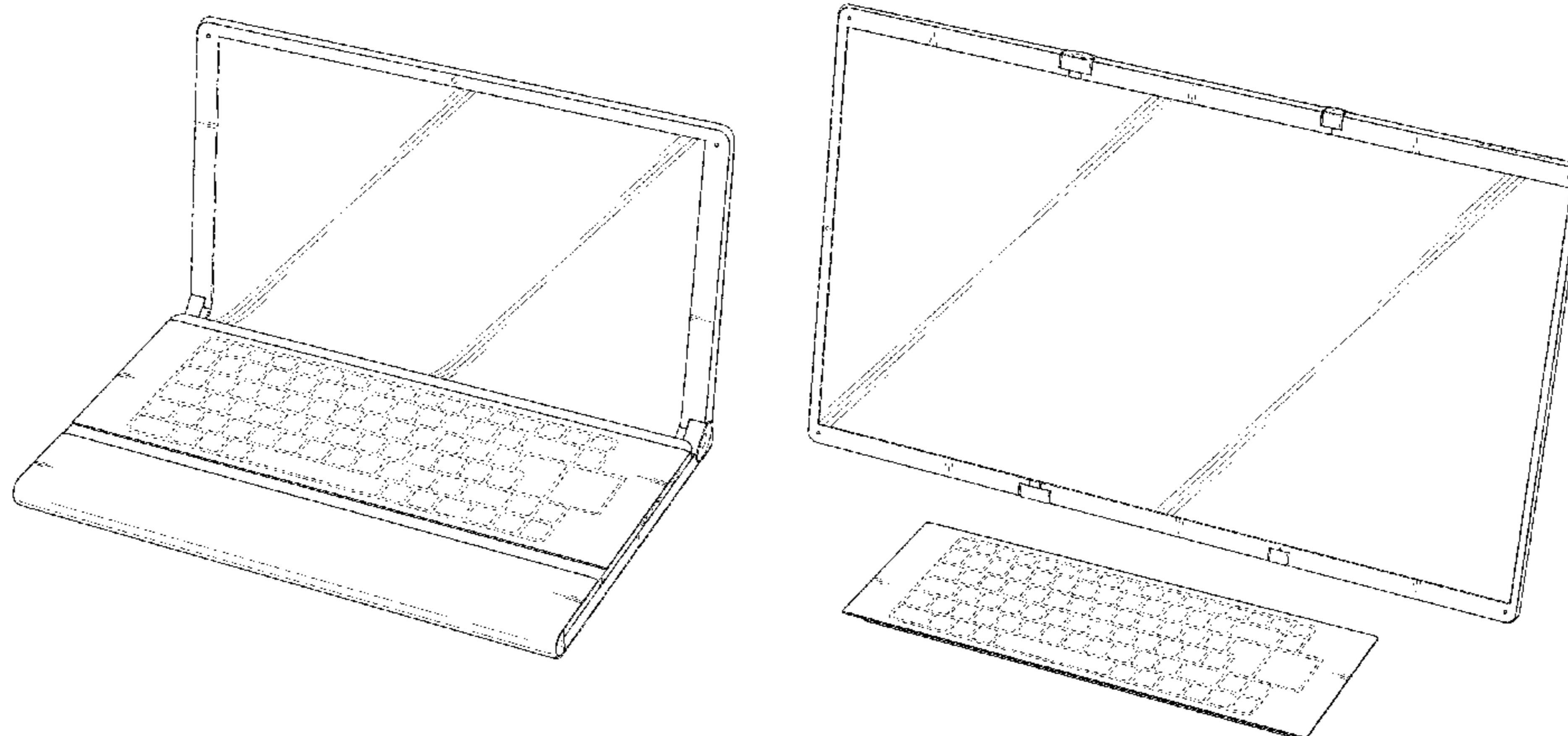
FIG. 18 is a perspective view of the portable electronic device showing our new design in a partially folded position;

FIG. 19 is a perspective view of the portable electronic device showing our new design when it is unfolded and keyboard is separated; and,

FIG. 20 is a rear perspective view of FIG. 19.

The short dash-dash broken line in the figures showing unclaimed portions of the portable electronic device is included for the purpose of illustrating environment structure, and the dot-dash broken line in FIGS. 4, 11, 16, and 17 shows enlarged portions; the broken lines form no part of the claimed design.

1 Claim, 20 Drawing Sheets



(56)

References Cited

U.S. PATENT DOCUMENTS

D538,800 S *	3/2007	Zhang	D14/331	D695,735 S *	12/2013	Kitchen	D14/341
D650,380 S *	12/2011	Ballout	D14/331	D700,178 S *	2/2014	Ma	D14/331
8,320,113 B2 *	11/2012	Xiao	G06F 1/162 361/679.27	D727,315 S *	4/2015	Jensen	D14/341
D683,731 S *	6/2013	Chiu	D14/345	2013/0148282 A1 *	6/2013	Chen	G06F 1/1601 361/679.08
D685,778 S *	7/2013	Fahrendorff	D14/250	2013/0342090 A1 *	12/2013	Ahn	G09F 9/33 312/258
					2014/0347806 A1 *	11/2014	Totani	G06F 1/1647 361/679.27

* cited by examiner

FIG. 1

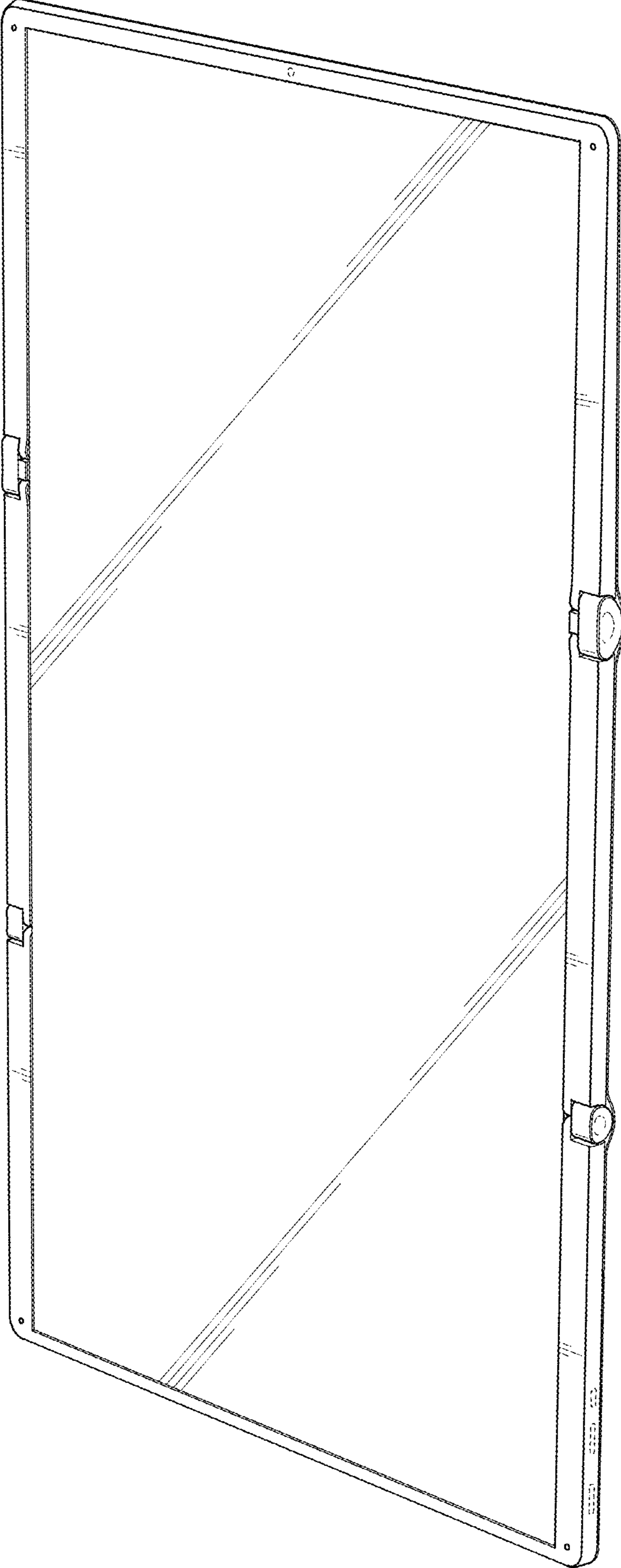


FIG. 2

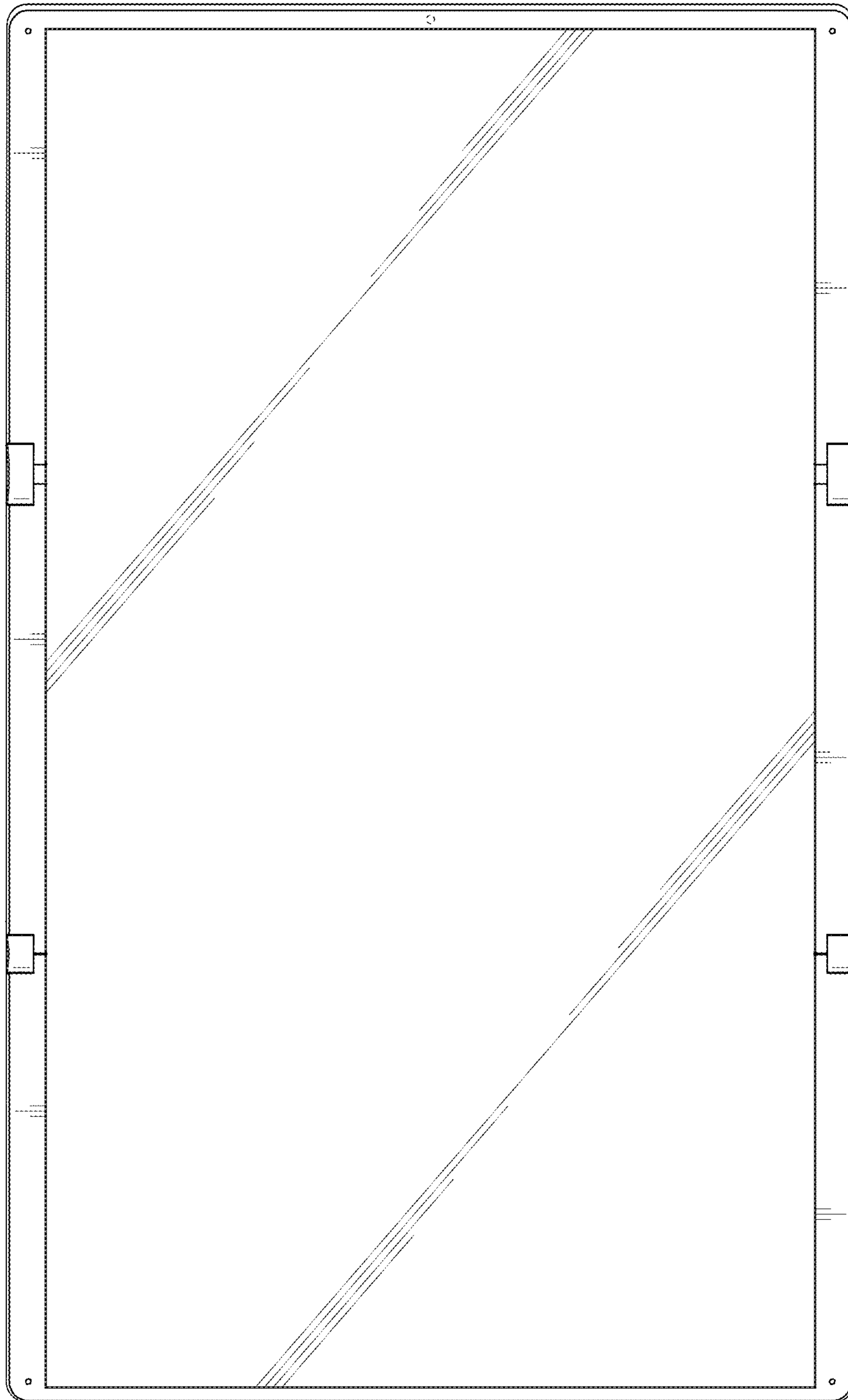


FIG. 3

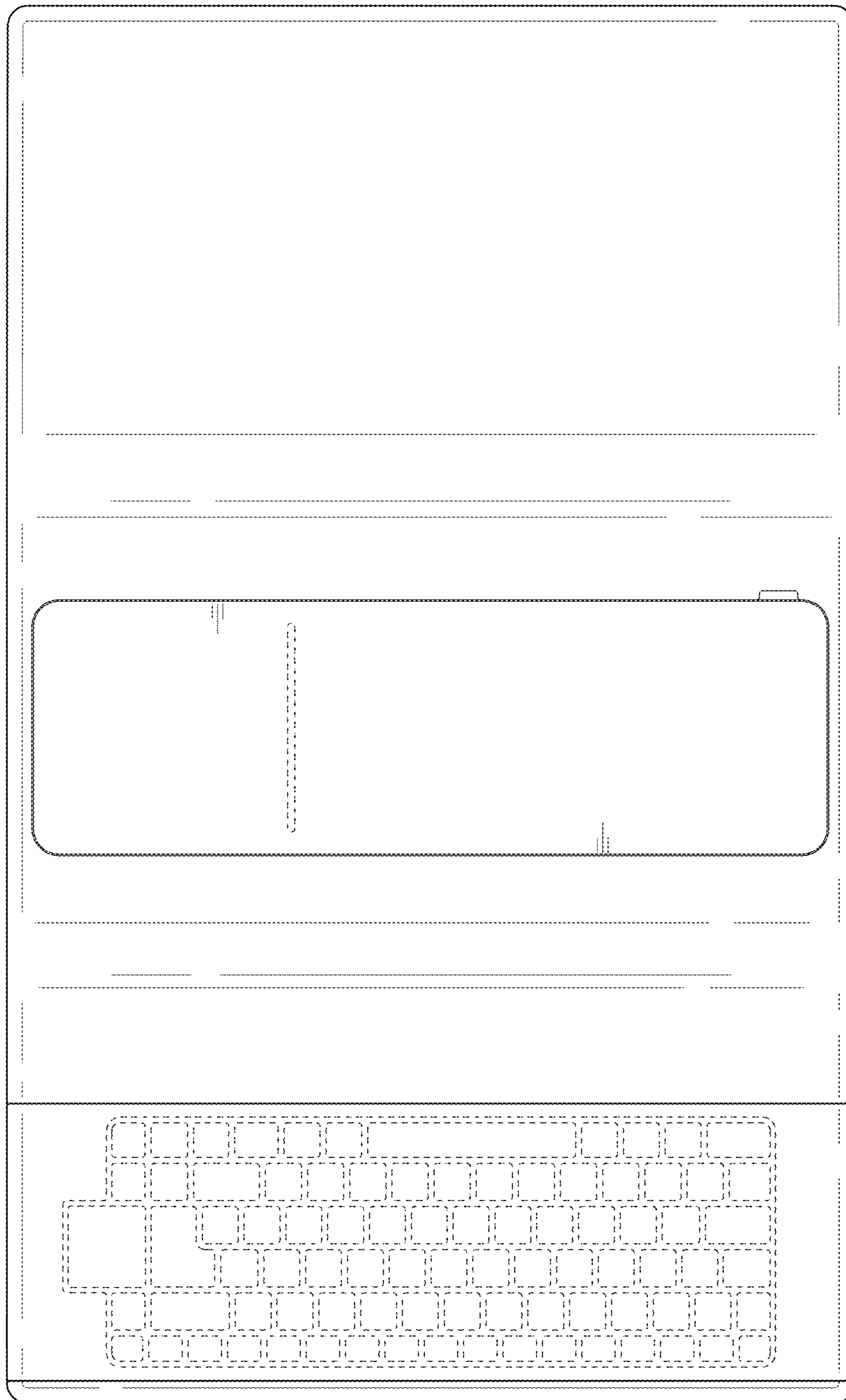


FIG. 4

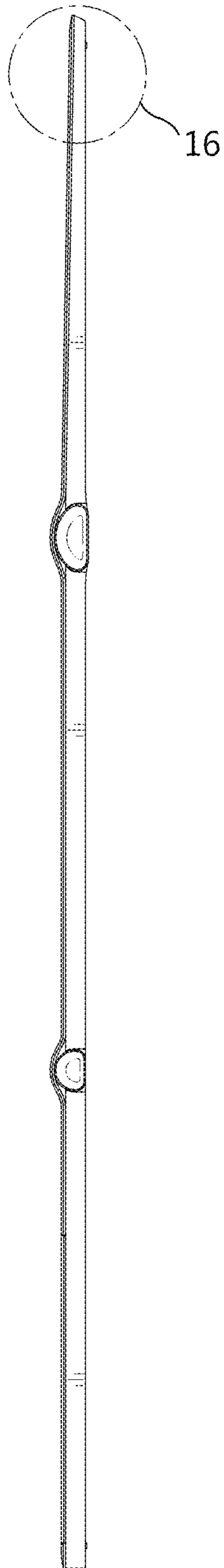


FIG. 5

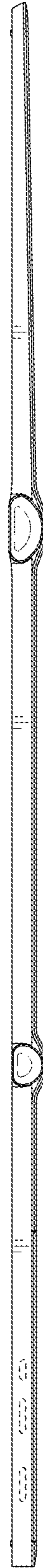


FIG. 6

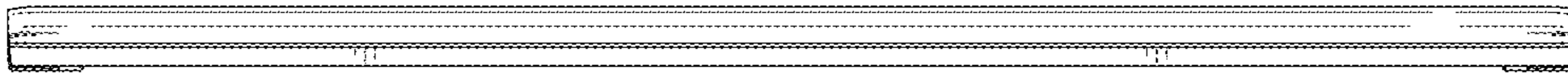


FIG. 7



FIG. 8

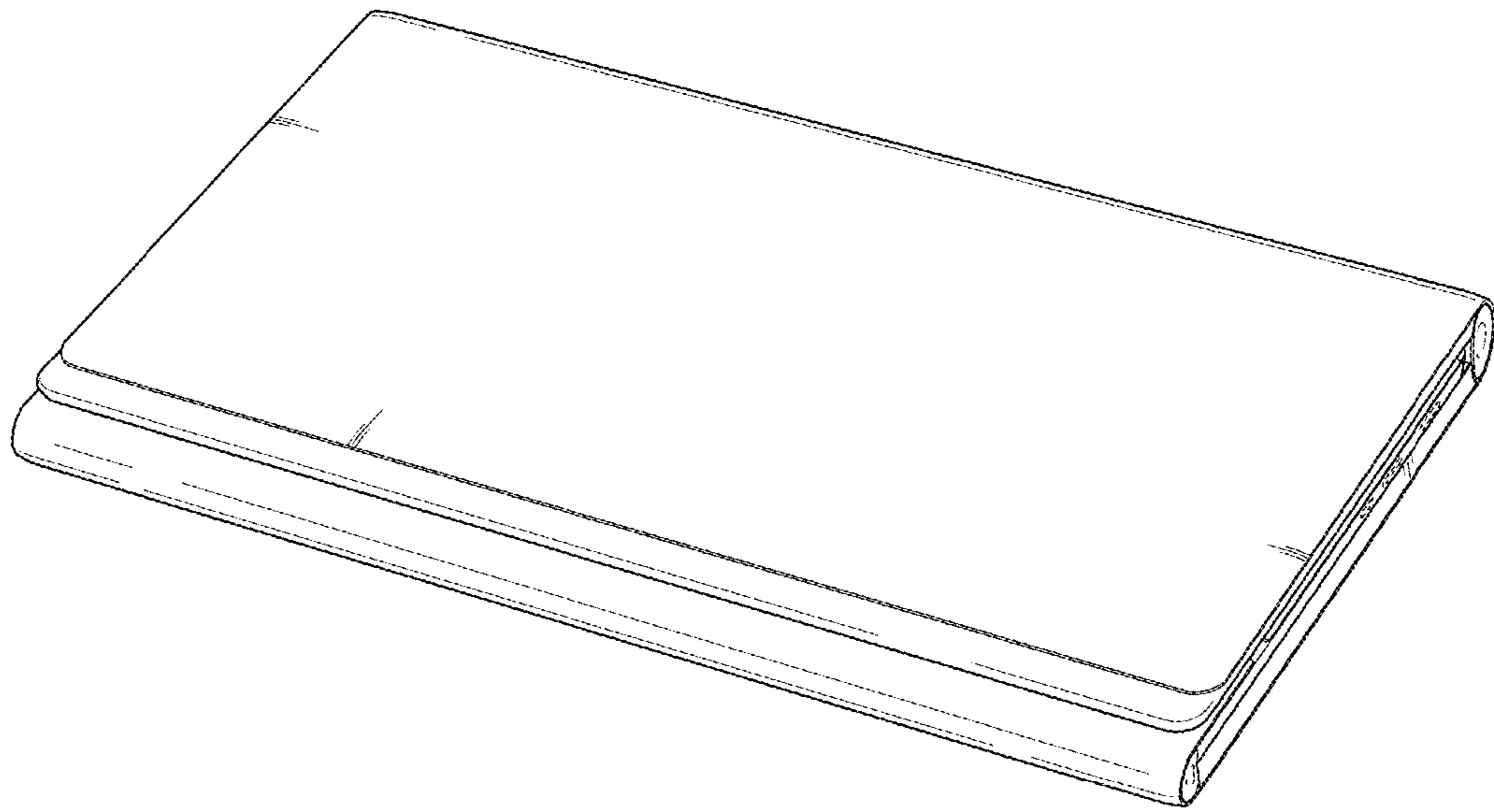


FIG. 9

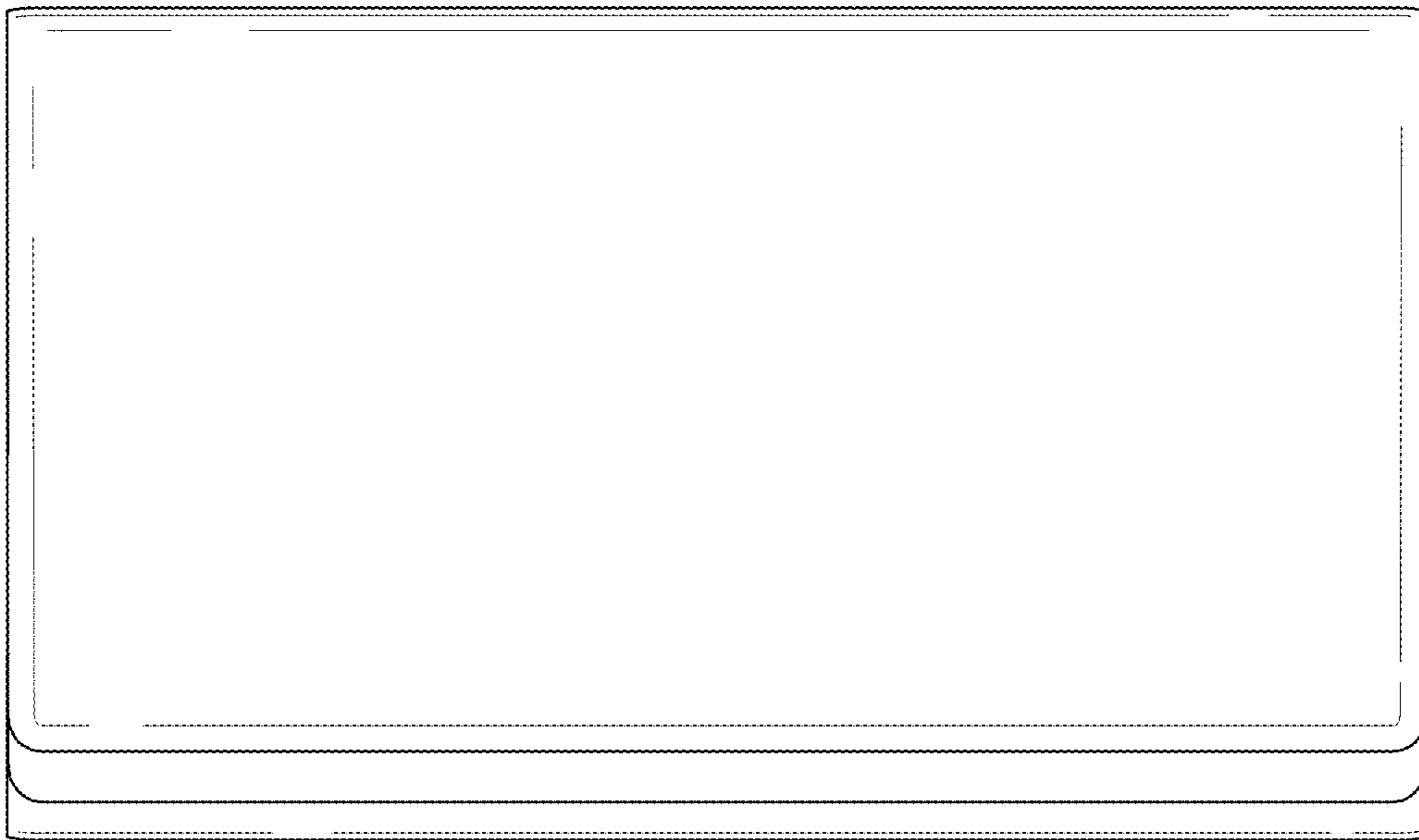


FIG. 10

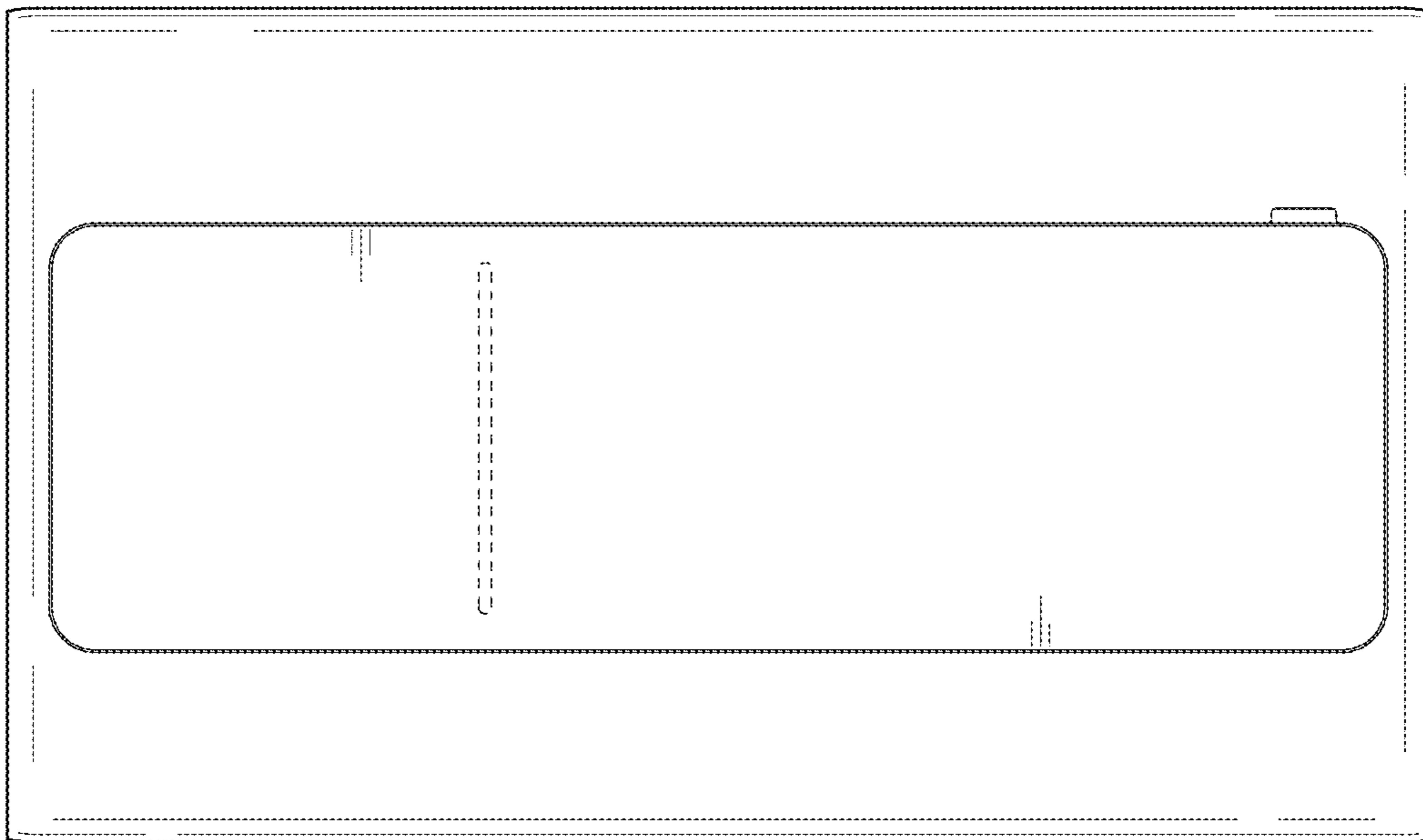


FIG. 11

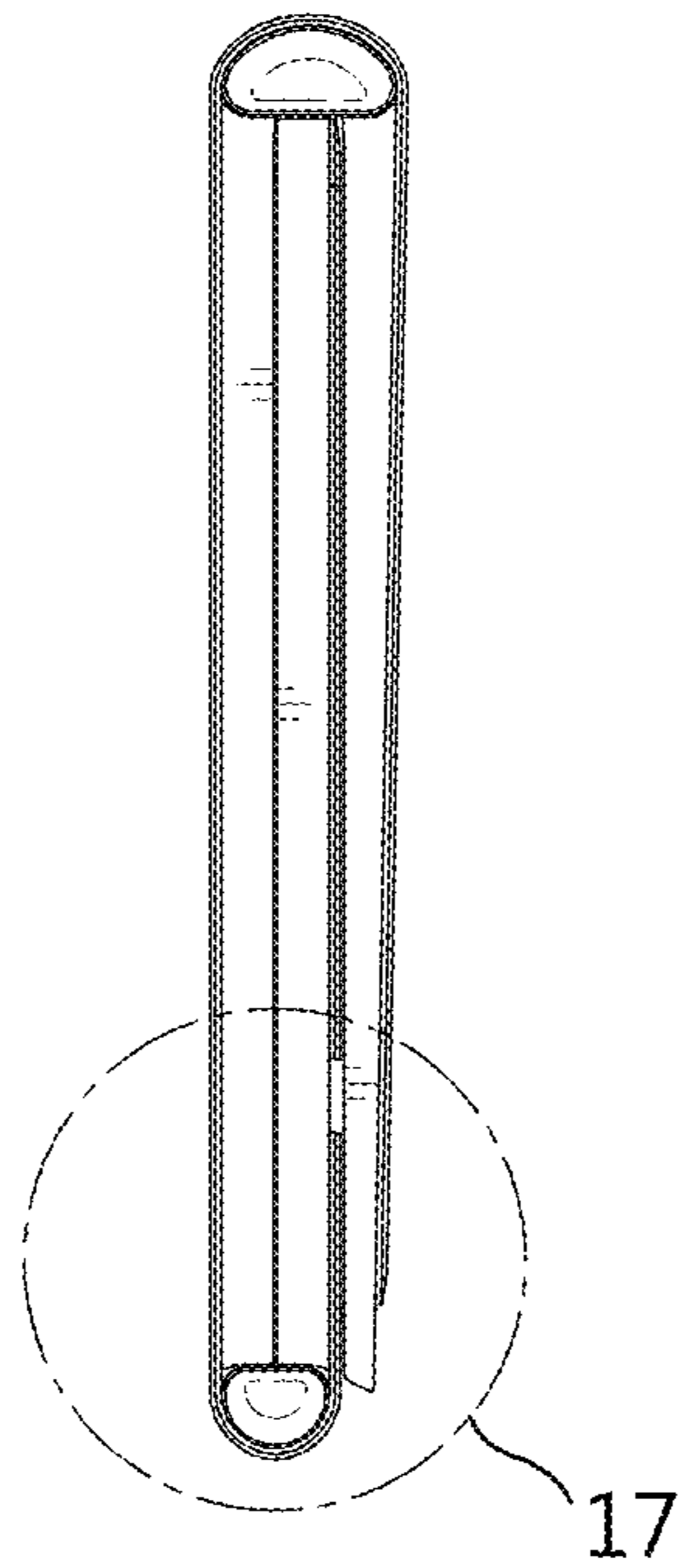


FIG. 12

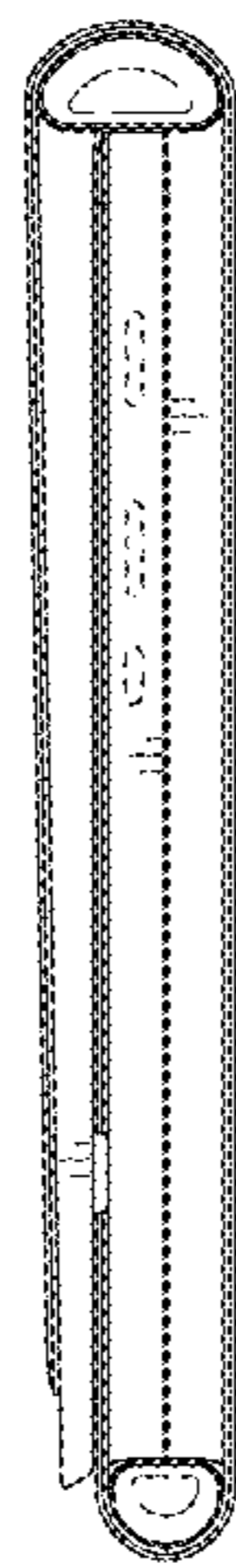


FIG. 13



FIG. 14

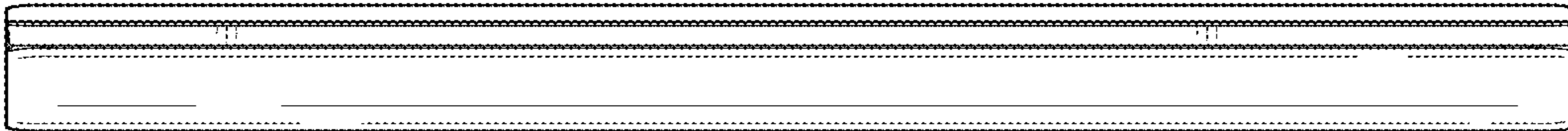


FIG. 15

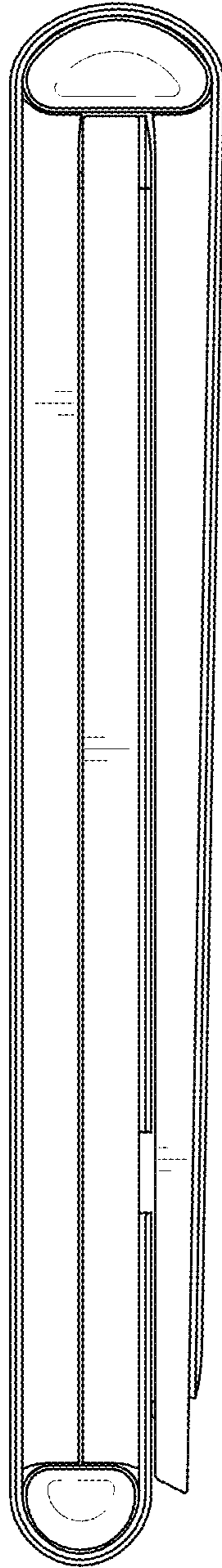


FIG. 16

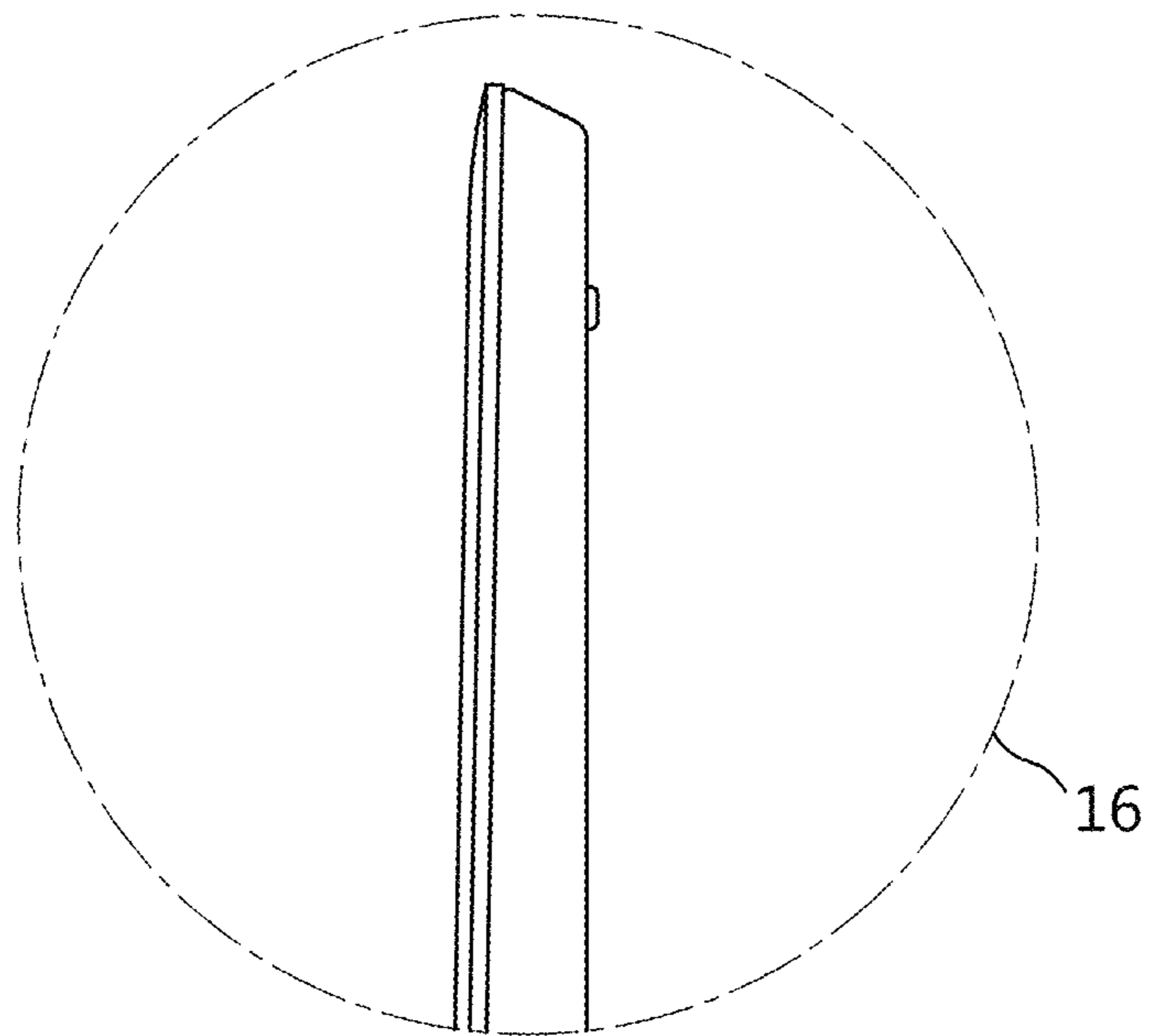


FIG. 17

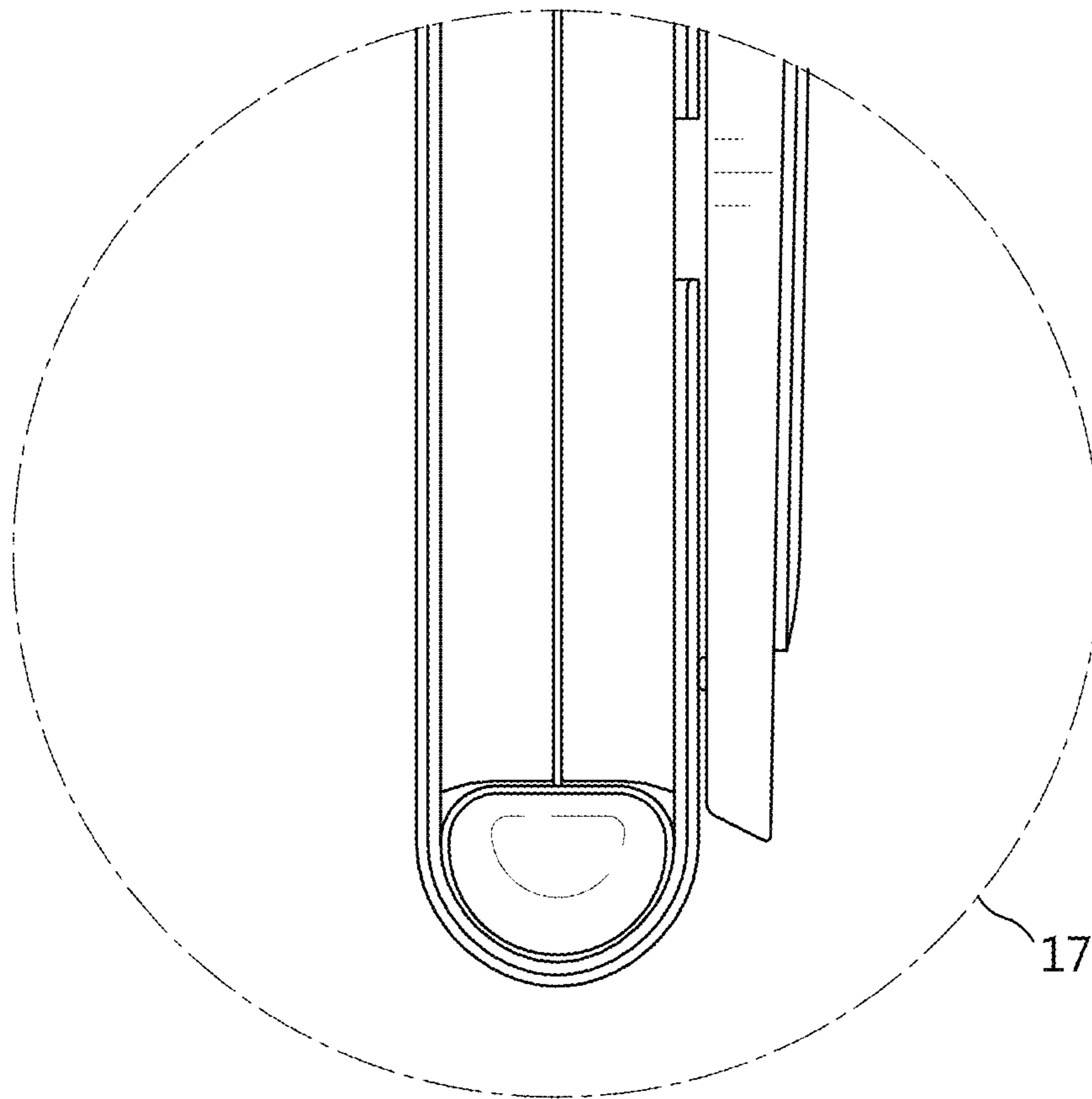


FIG. 18

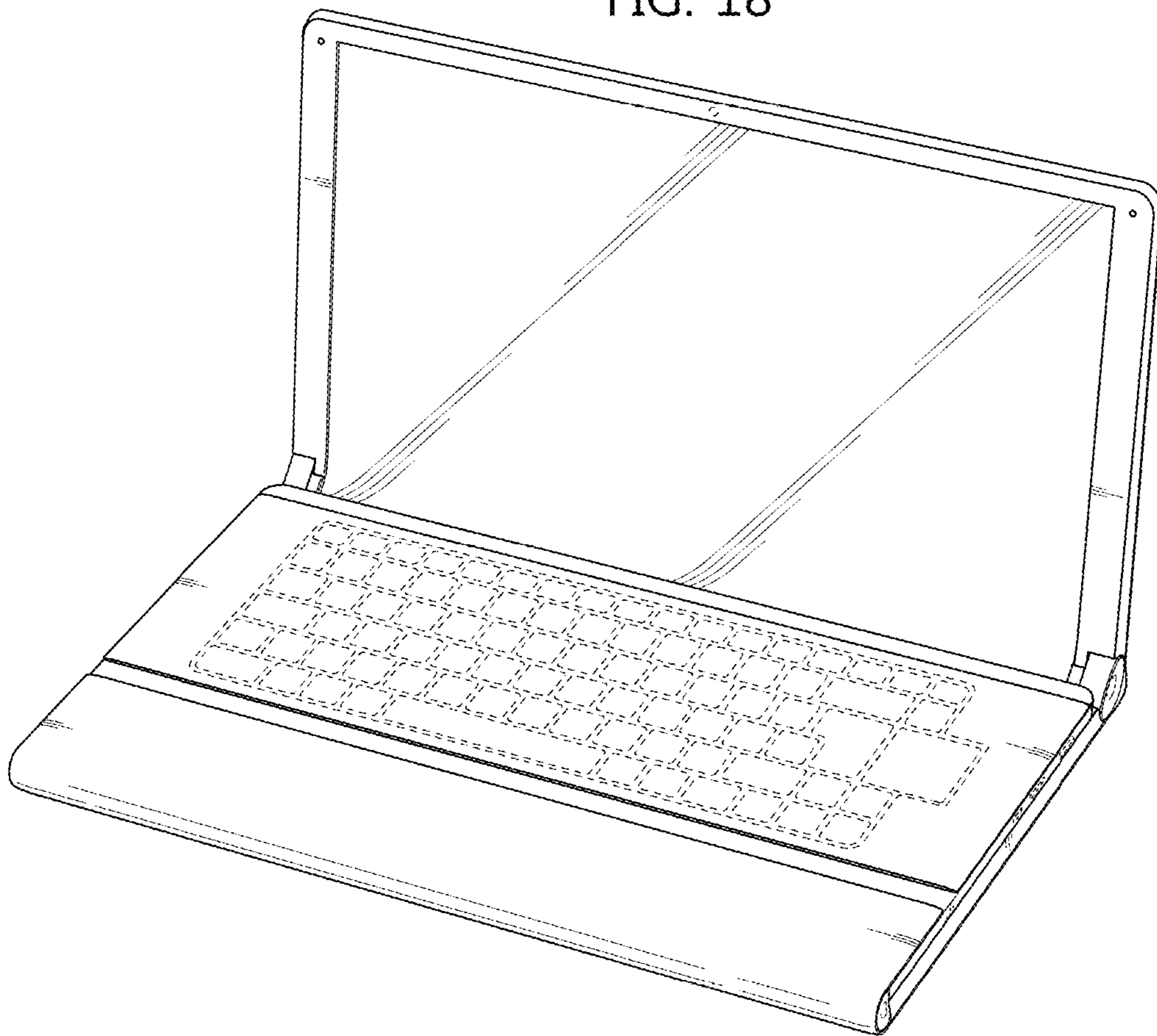


FIG. 19

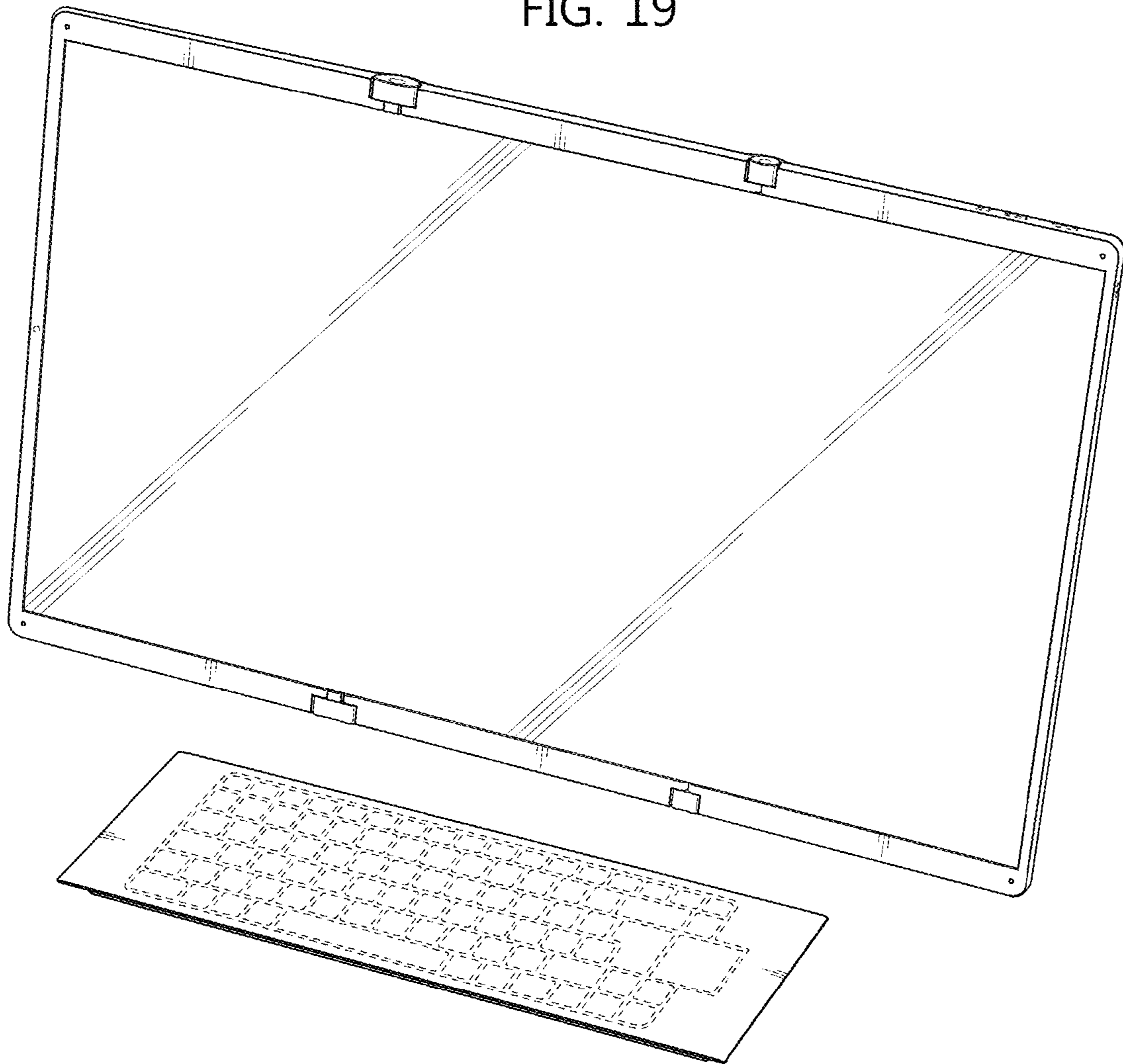


FIG. 20

