



US00D768623S

(12) **United States Design Patent**  
**Zou et al.**

(10) **Patent No.:** **US D768,623 S**  
(45) **Date of Patent:** **\*\* Oct. 11, 2016**

(54) **WEARABLE DEVICE**

- (71) Applicant: **HUAWEI TECHNOLOGIES CO., LTD.**, Shenzhen, Guangdong (CN)
- (72) Inventors: **Jianbo Zou**, Guangdong (CN); **Juha Tapio Kosonen**, Guangdong (CN)
- (73) Assignee: **Huawei Technologies Co., LTD.** (CN)
- (\*\*) Term: **15 Years**
- (21) Appl. No.: **29/546,064**
- (22) Filed: **Nov. 18, 2015**
- (30) **Foreign Application Priority Data**

May 20, 2015 (CN) ..... 2015 3 0153302

- (51) **LOC (10) Cl.** ..... **14-02**
- (52) **U.S. Cl.**  
USPC ..... **D14/344**; D10/39; D10/70; D10/98;  
D24/167; D24/186

- (58) **Field of Classification Search**  
USPC ..... D10/30, 31, 32, 33, 34, 35, 36, 37, 38,  
D10/39, 65, 70, 78, 97, 98; D11/3;  
D14/138 R, 203.5, 203.6, 341, 344,  
D14/347; D24/167, 168, 186  
CPC ..... A44C 5/00-5/16; G04B 37/00-37/228;  
G04B 45/0069; G04B 47/04; G04B  
19/00-19/34; G04B 21/12; G04B 23/12;  
G04B 47/00-47/068; G01C 17/00; G01C  
21/00-21/3697

See application file for complete search history.

(56) **References Cited**

U.S. PATENT DOCUMENTS

D596,051 S *	7/2009	Mille .....	D10/38
D743,819 S *	11/2015	Golnik .....	D10/70
D750,068 S *	2/2016	Aumiller .....	D14/344
D754,548 S *	4/2016	Block .....	D10/32
D755,178 S *	5/2016	Solomon .....	D10/38

\* cited by examiner

*Primary Examiner* — Antoine D Davis

(74) *Attorney, Agent, or Firm* — Design IP

(57) **CLAIM**

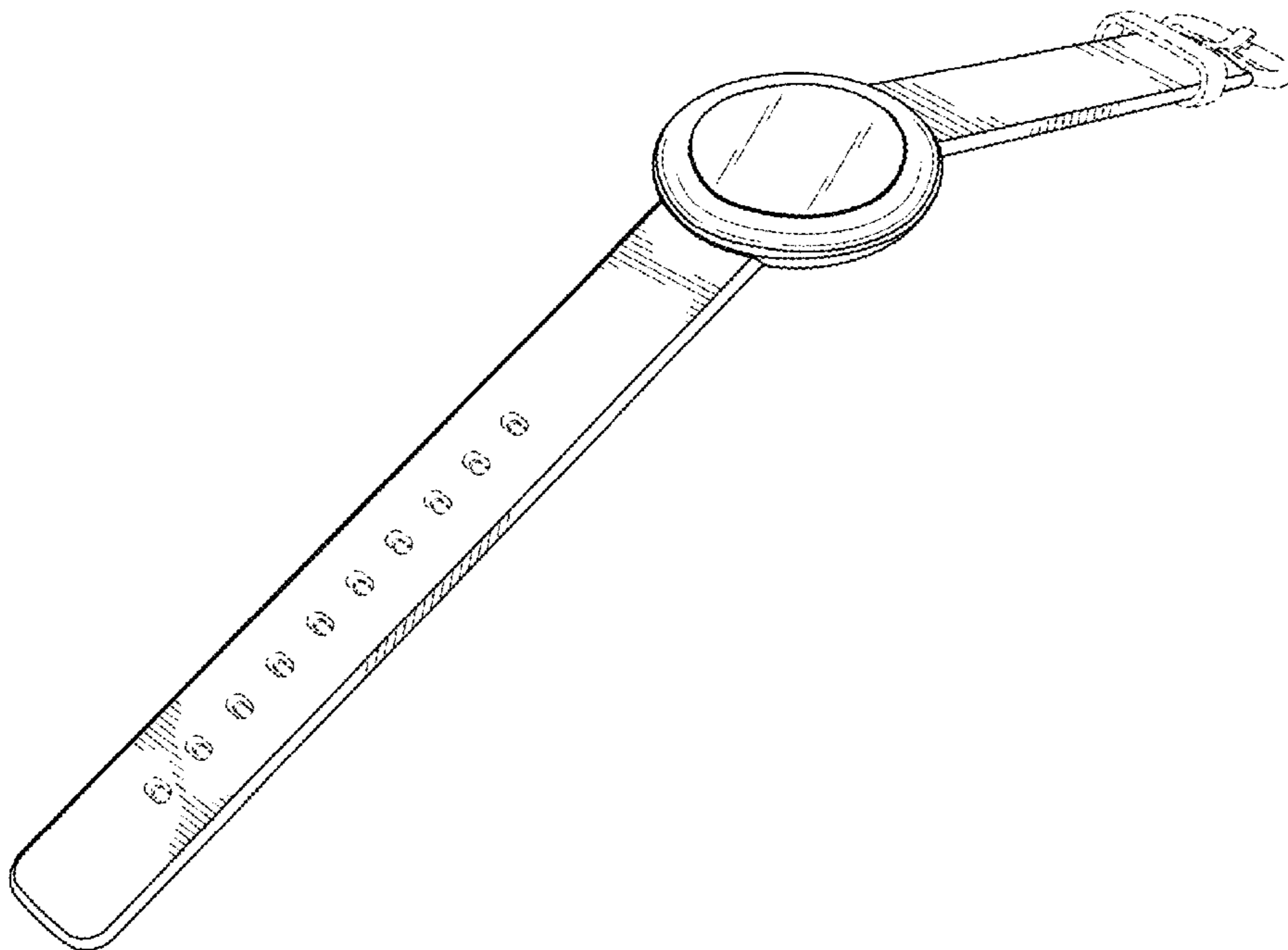
The ornamental design for a wearable device, as shown and described.

**DESCRIPTION**

FIG. 1 is a front perspective view of a first embodiment of a wearable device showing our new design;  
 FIG. 2 is a front view thereof;  
 FIG. 3 is a rear view thereof;  
 FIG. 4 is a top view thereof;  
 FIG. 5 is a bottom view thereof;  
 FIG. 6 is a right side view thereof; and,  
 FIG. 7 is a left side view thereof.

The broken line showing of portions of the wearable device is for the purpose of illustrating environmental structure and forms no part of the claimed design. The oblique line shading shown in FIGS. 1-2 represents a glass surface.

**1 Claim, 7 Drawing Sheets**



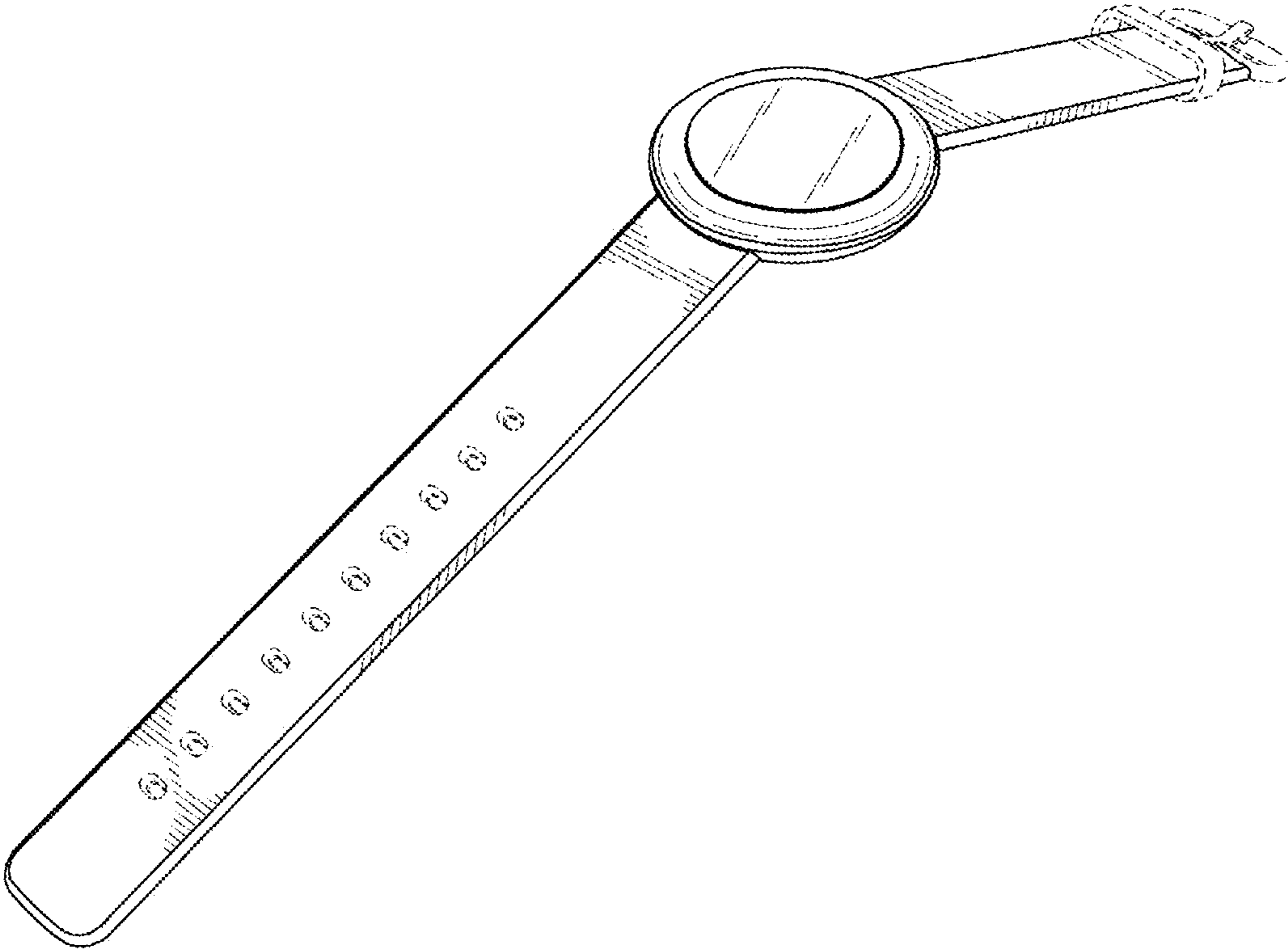


FIG. 1

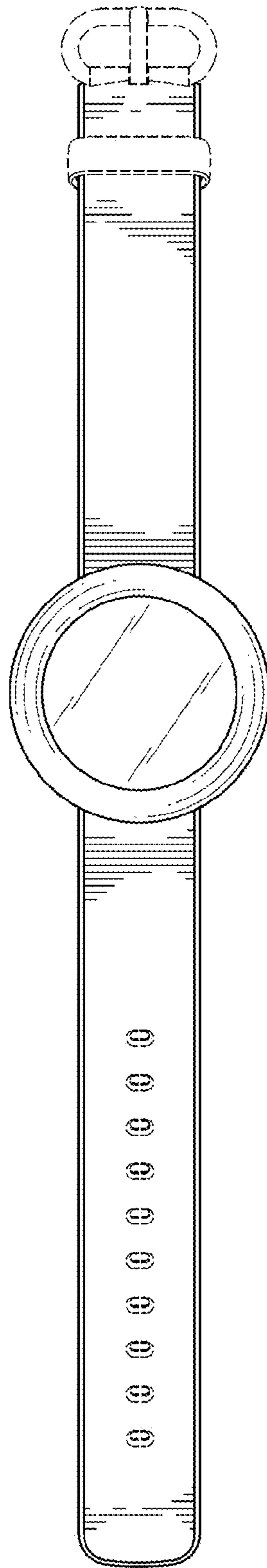


FIG. 2

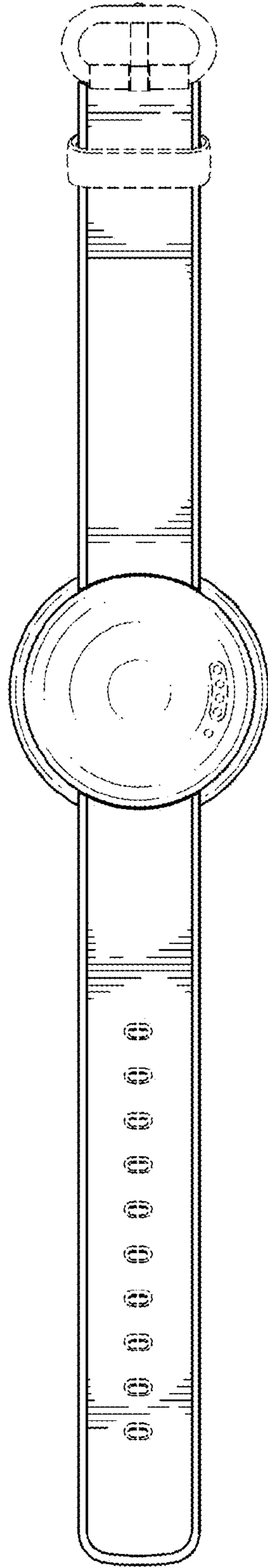


FIG. 3

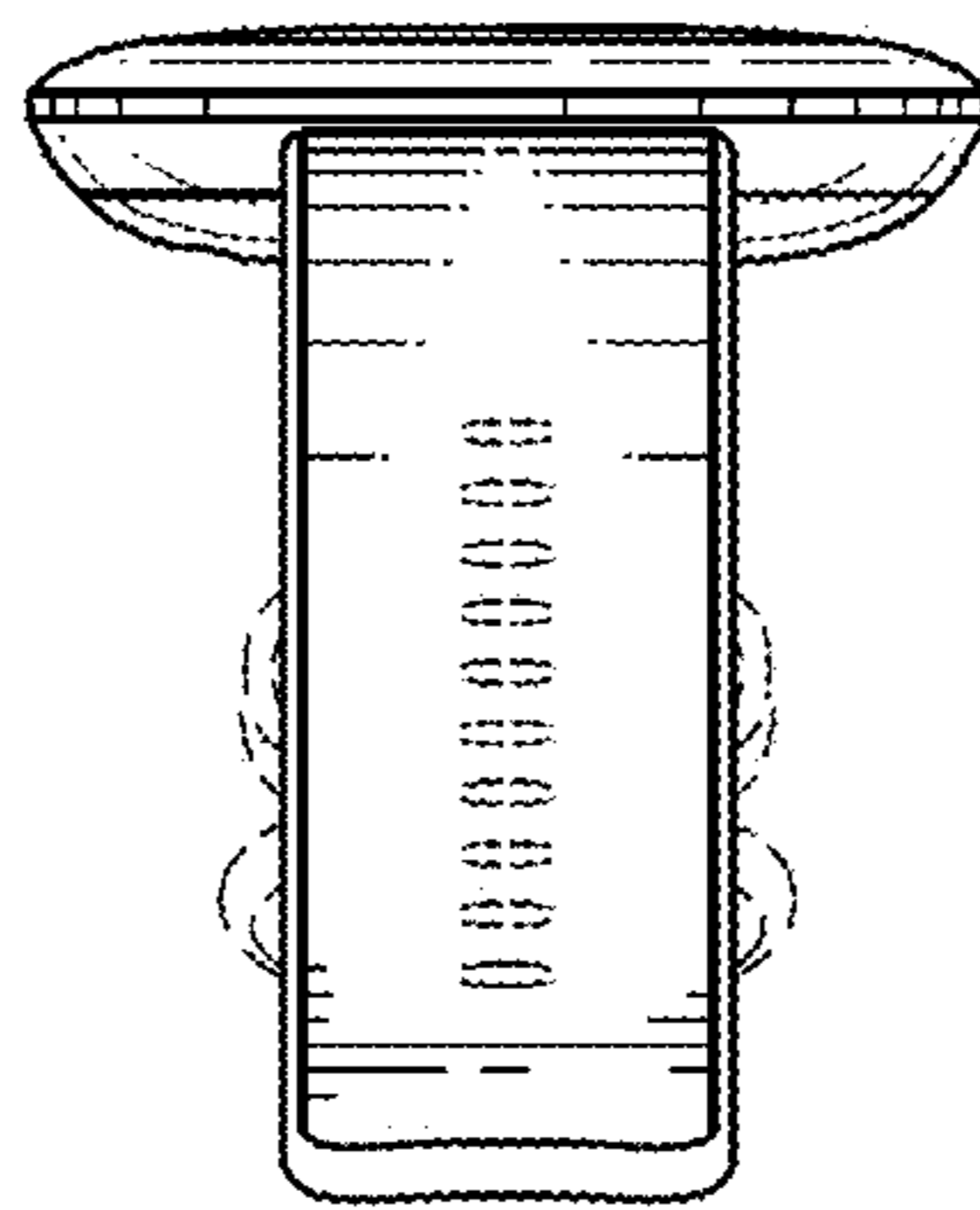


FIG.4

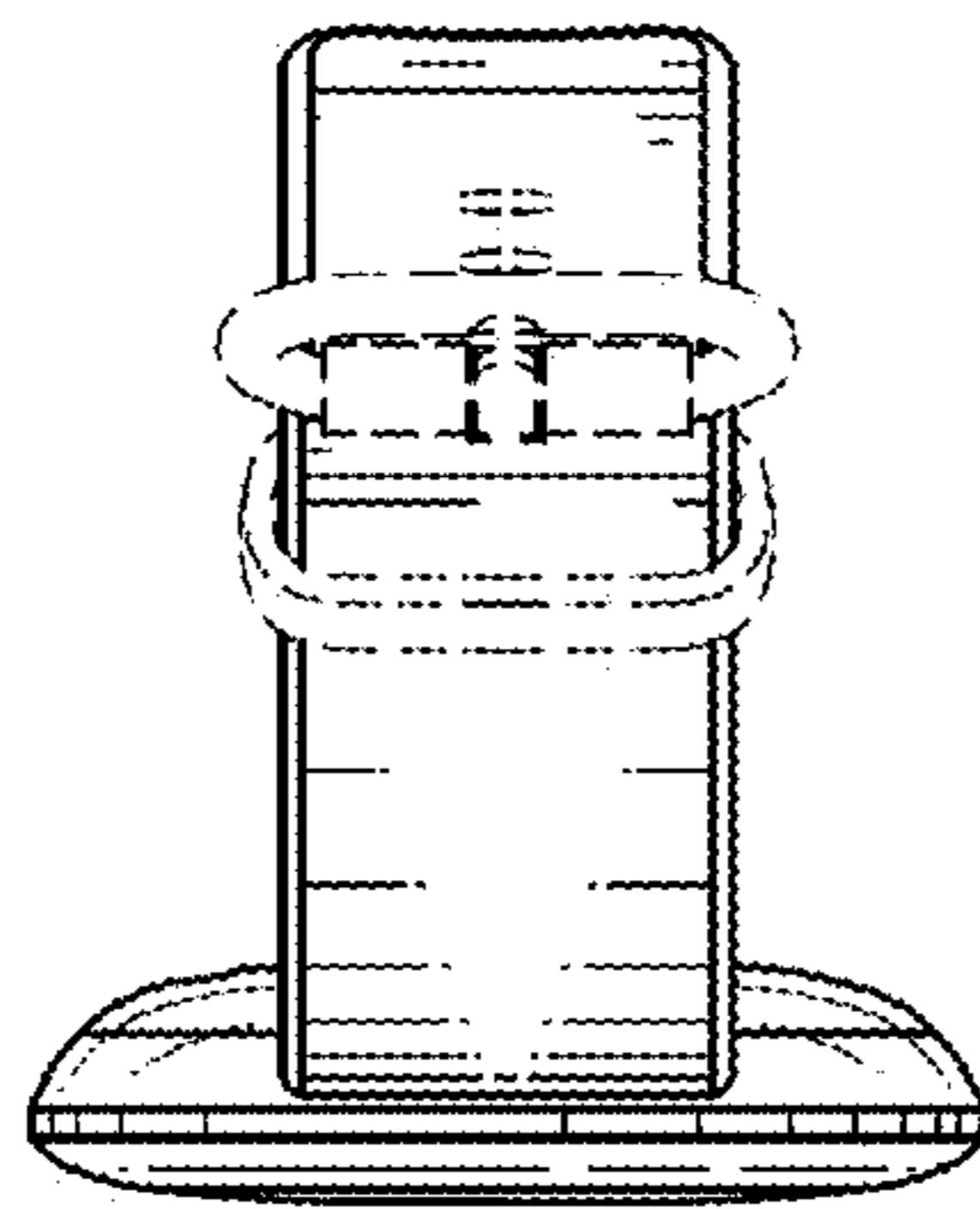


FIG. 5

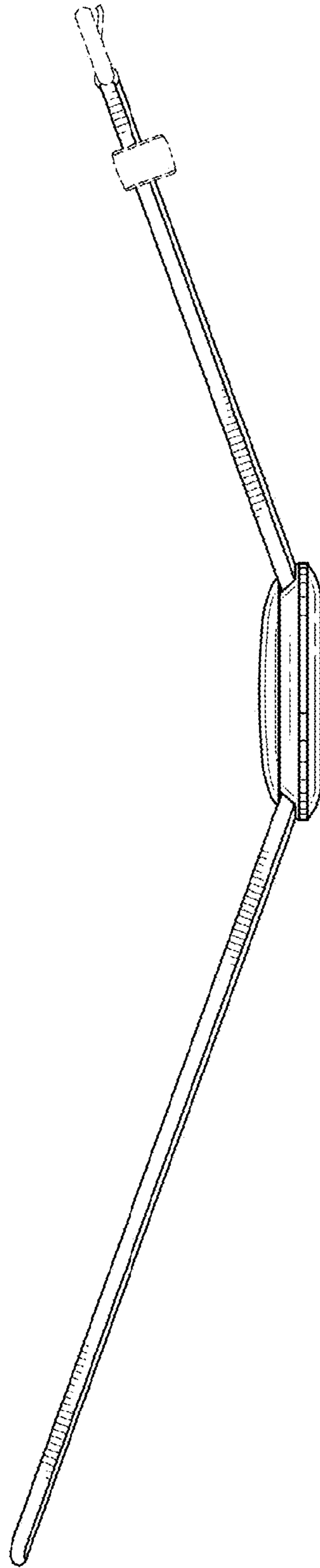


FIG. 6

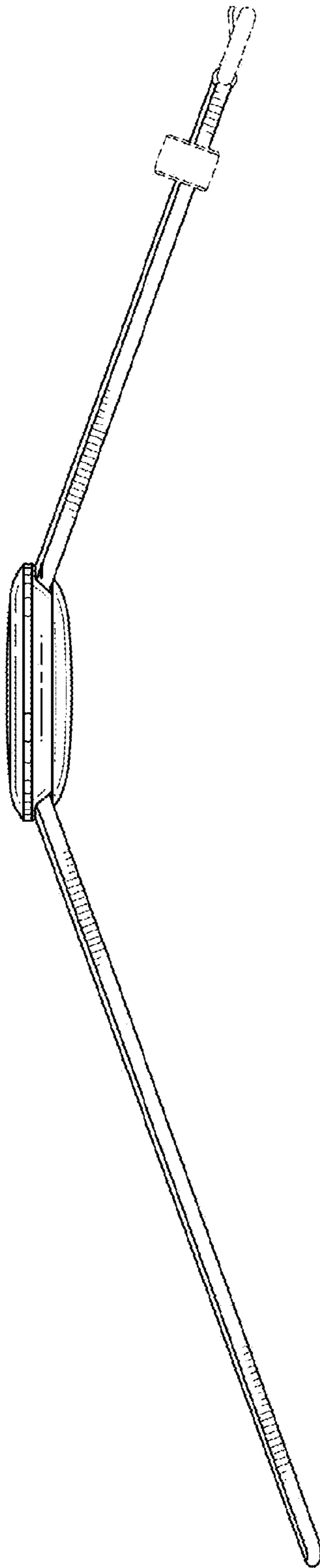


FIG. 7