

US00D768621S

(12) **United States Design Patent** (10) **Patent No.:** **US D768,621 S**  
**Park et al.** (45) **Date of Patent:** **\*\* Oct. 11, 2016**

(54) **COMPUTER**

(71) Applicant: **Samsung Electronics Co., Ltd.**,  
Suwon-si (KR)

(72) Inventors: **Seungjoon Park**, Suwon-si (KR);  
**Haesoo Kim**, Yongin-si (KR); **Kichul Namgung**, Seoul (KR); **Seungmin Bae**,  
Hwaseong-si (KR); **Kangseok Cho**,  
Suwon-si (KR)

(73) Assignee: **Samsung Electronics Co., Ltd.**,  
Suwon-si (KR)

(\*\*) Term: **15 Years**

(21) Appl. No.: **29/537,916**

(22) Filed: **Aug. 31, 2015**

(30) **Foreign Application Priority Data**

Mar. 19, 2015 (KR) ..... 30-2015-0014010

(51) **LOC (10) Cl.** ..... **14-02**

(52) **U.S. Cl.**  
USPC ..... **D14/315**

(58) **Field of Classification Search**  
USPC ..... D14/315-327; D18/1, 2, 7, 11;  
235/145 A, 145 R; 341/22, 23; 345/104,  
345/156, 168, 169, 173; 361/679.08,  
361/679.09, 679.11, 679.26, 679.27  
CPC ..... G06F 1/16; G06F 1/1616; G06F 1/1626;  
G06F 1/1632; G06F 1/1613; G06F 1/1601;  
G06F 1/1618; G06F 1/162; G06F 1/166;  
G06F 1/1654; G06F 1/1681; G06F 1/1637;  
G06F 1/1688; H01R 35/02; H03M 11/00;  
G09B 13/04; H03K 17/94; G09G 5/00;  
F16M 11/10; H05K 5/00; H04M 1/0237

See application file for complete search history.

(56) **References Cited**

U.S. PATENT DOCUMENTS

6,882,524 B2 \* 4/2005 Ulla ..... G06F 1/1626  
345/169  
D665,370 S \* 8/2012 Chung ..... D14/138 AD  
D691,575 S \* 10/2013 Park ..... D14/138 AD  
D716,311 S \* 10/2014 Bates ..... D14/440

\* cited by examiner

*Primary Examiner* — Freda S Nunn

(74) *Attorney, Agent, or Firm* — NSIP Law

(57) **CLAIM**

We claim the ornamental design for a computer, as shown and described.

**DESCRIPTION**

FIG. 1 is a front perspective view of a computer showing our new design;

FIG. 2 is a front view thereof;

FIG. 3 is a rear view thereof;

FIG. 4 is a left-side view thereof;

FIG. 5 is a right-side view thereof;

FIG. 6 is a top view thereof;

FIG. 7 is a bottom view thereof;

FIG. 8 is a rear perspective view thereof;

FIG. 9 is a perspective view of the computer shown in an alternate position;

FIG. 10 is a second perspective view of the computer shown in an alternate position; and,

FIG. 11 is a third perspective view of the computer shown in an alternate position.

The broken lines in the figures show portions of the computer which form no part of the claimed design.

**1 Claim, 11 Drawing Sheets**

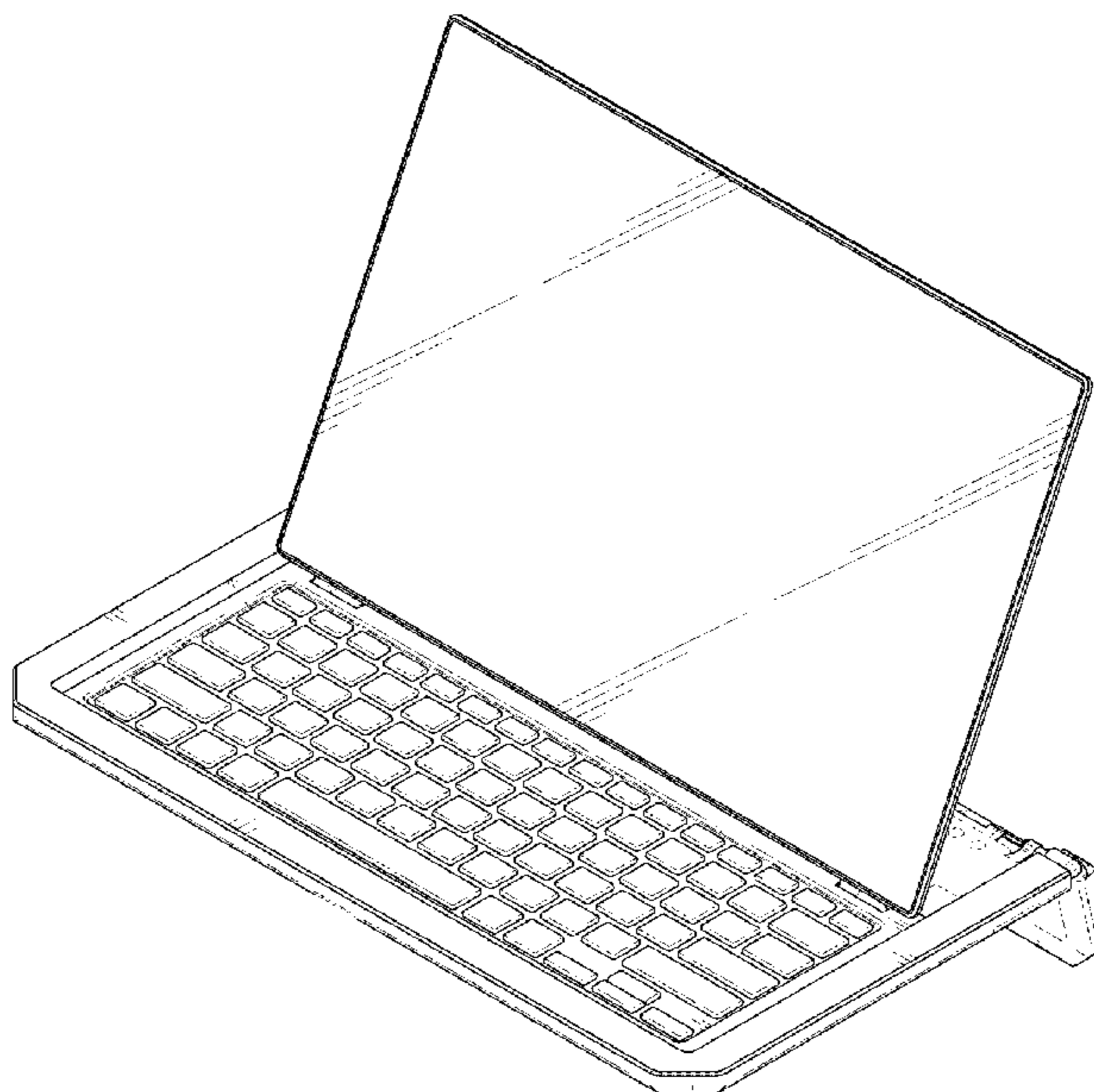


FIG. 1

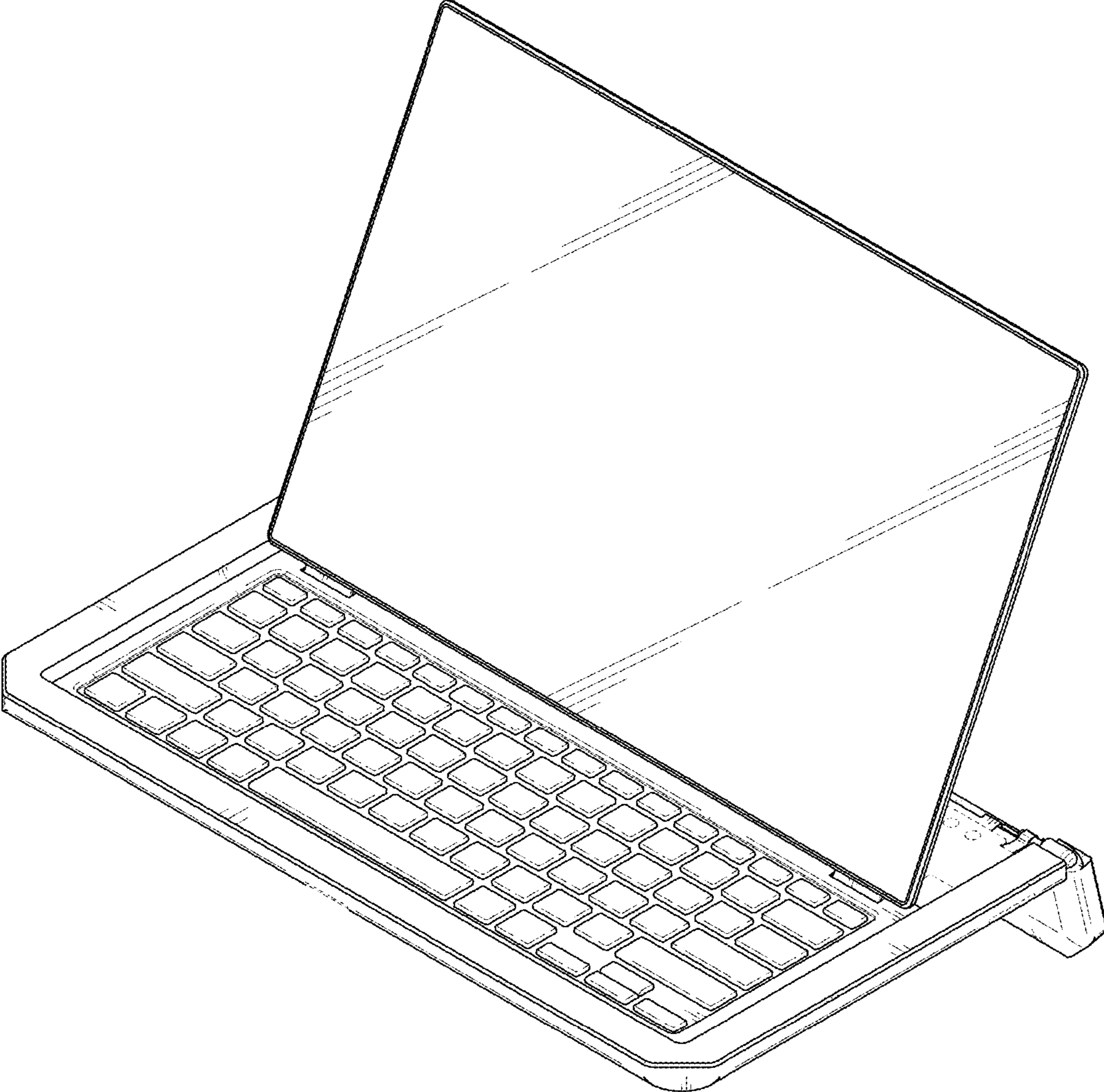


FIG. 2

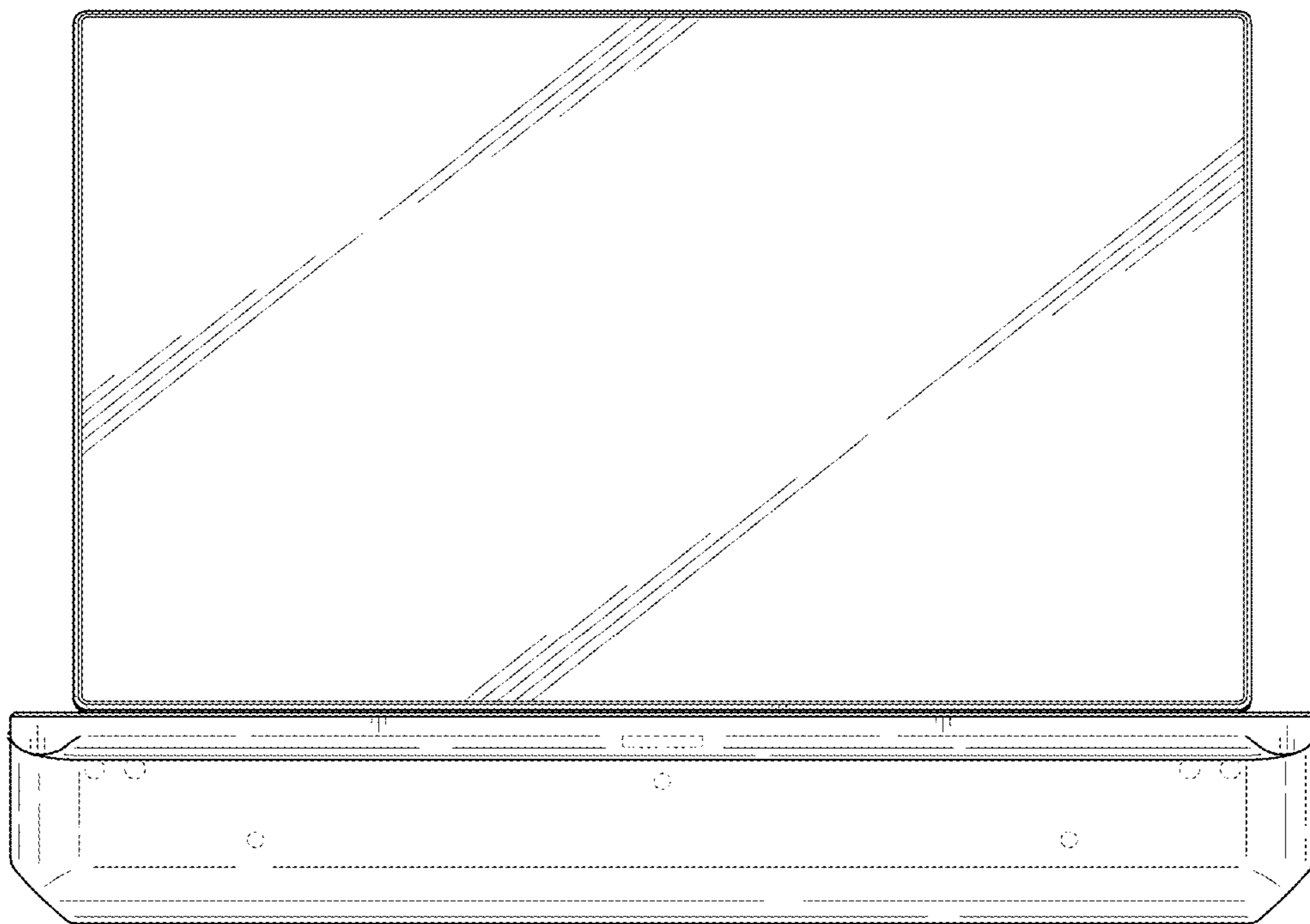


FIG. 3

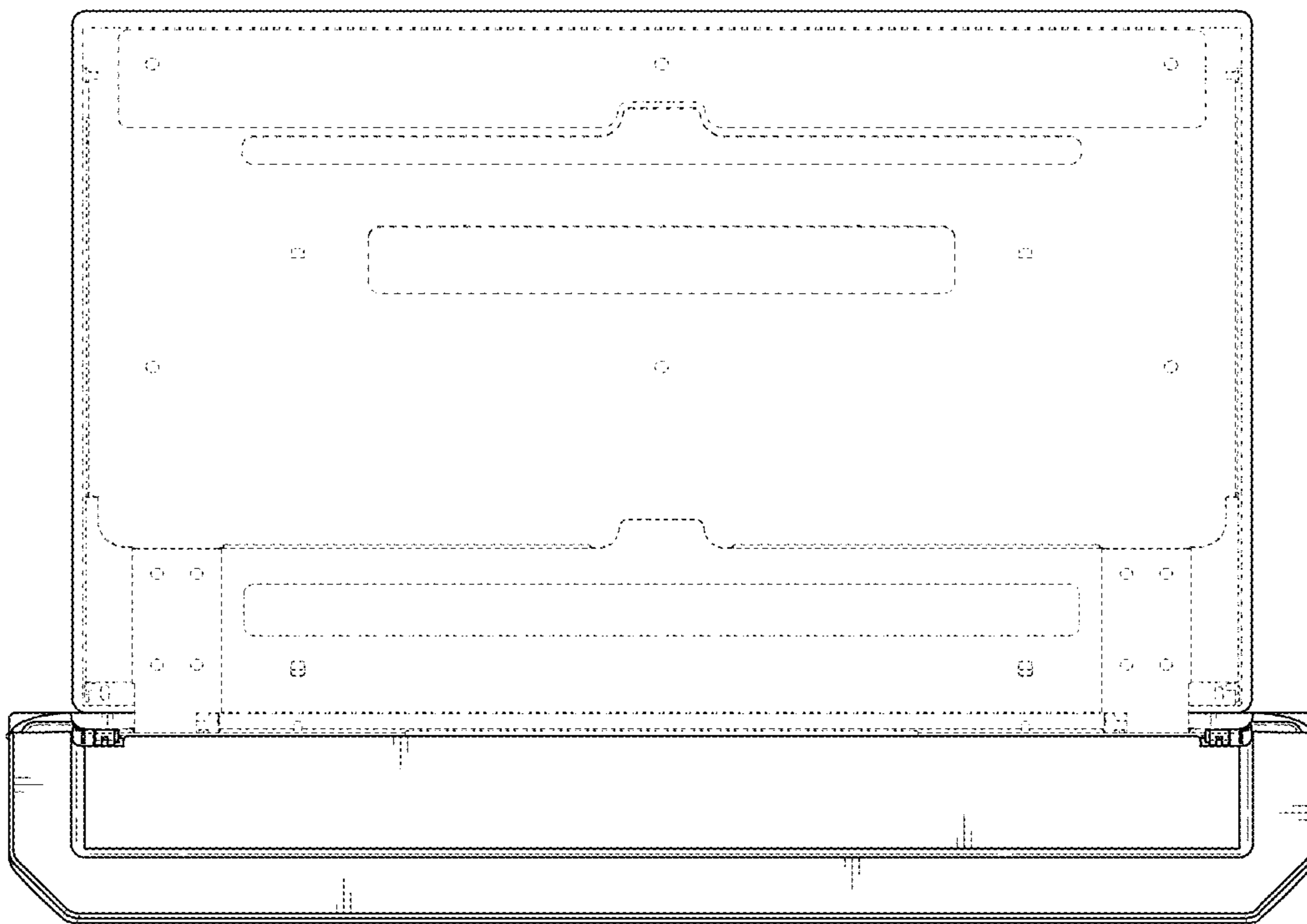


FIG. 4

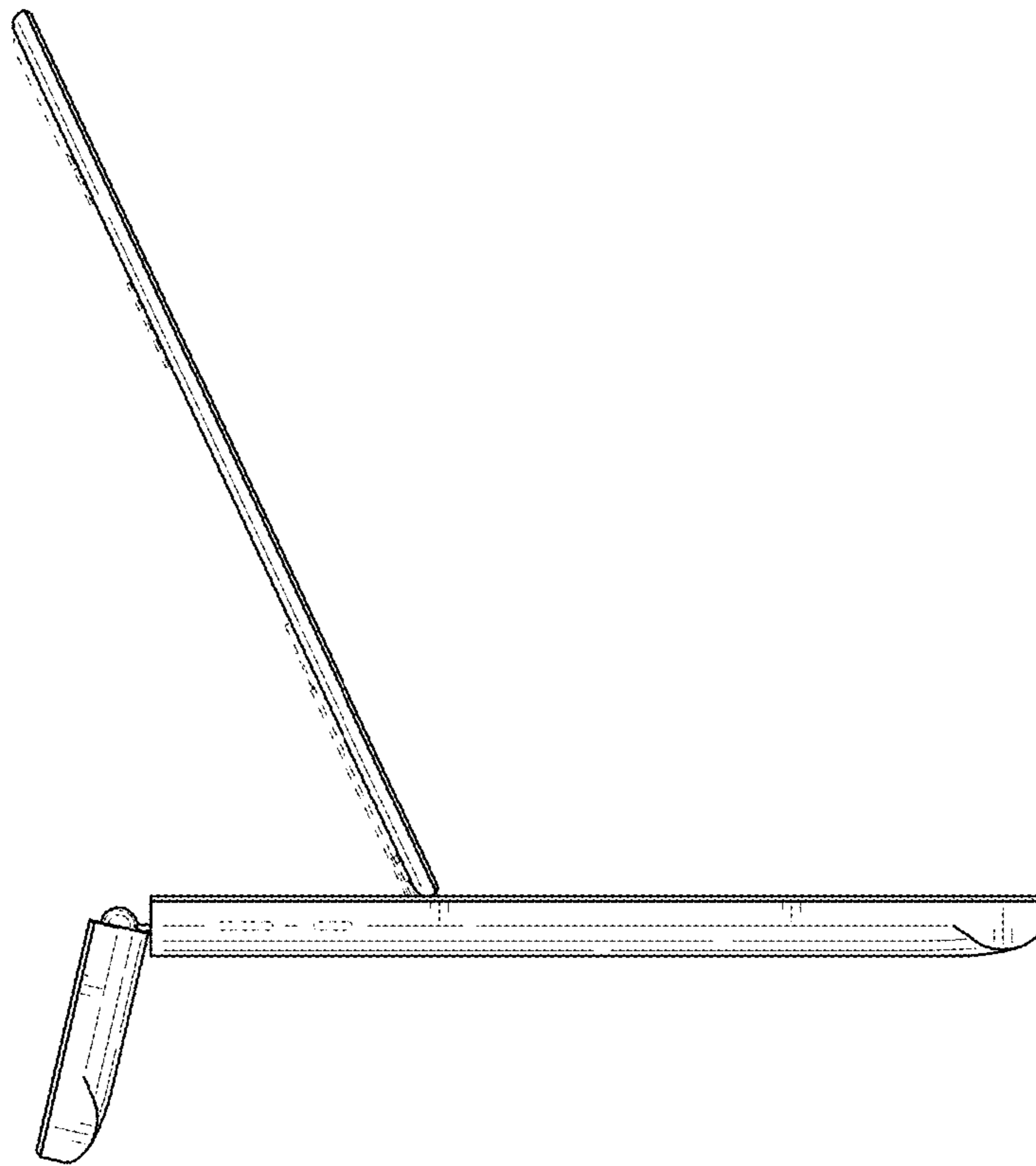


FIG. 5

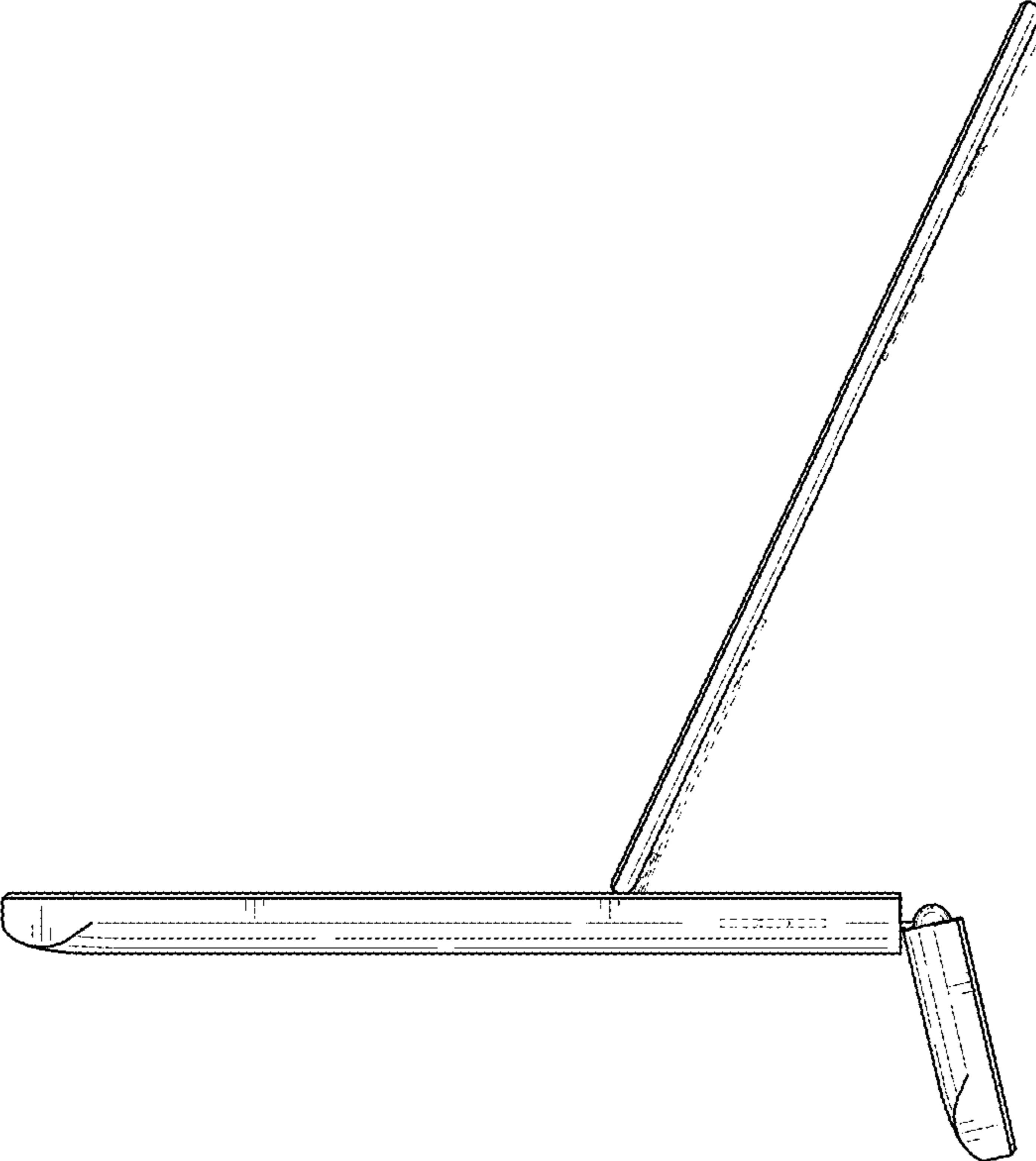


FIG. 6

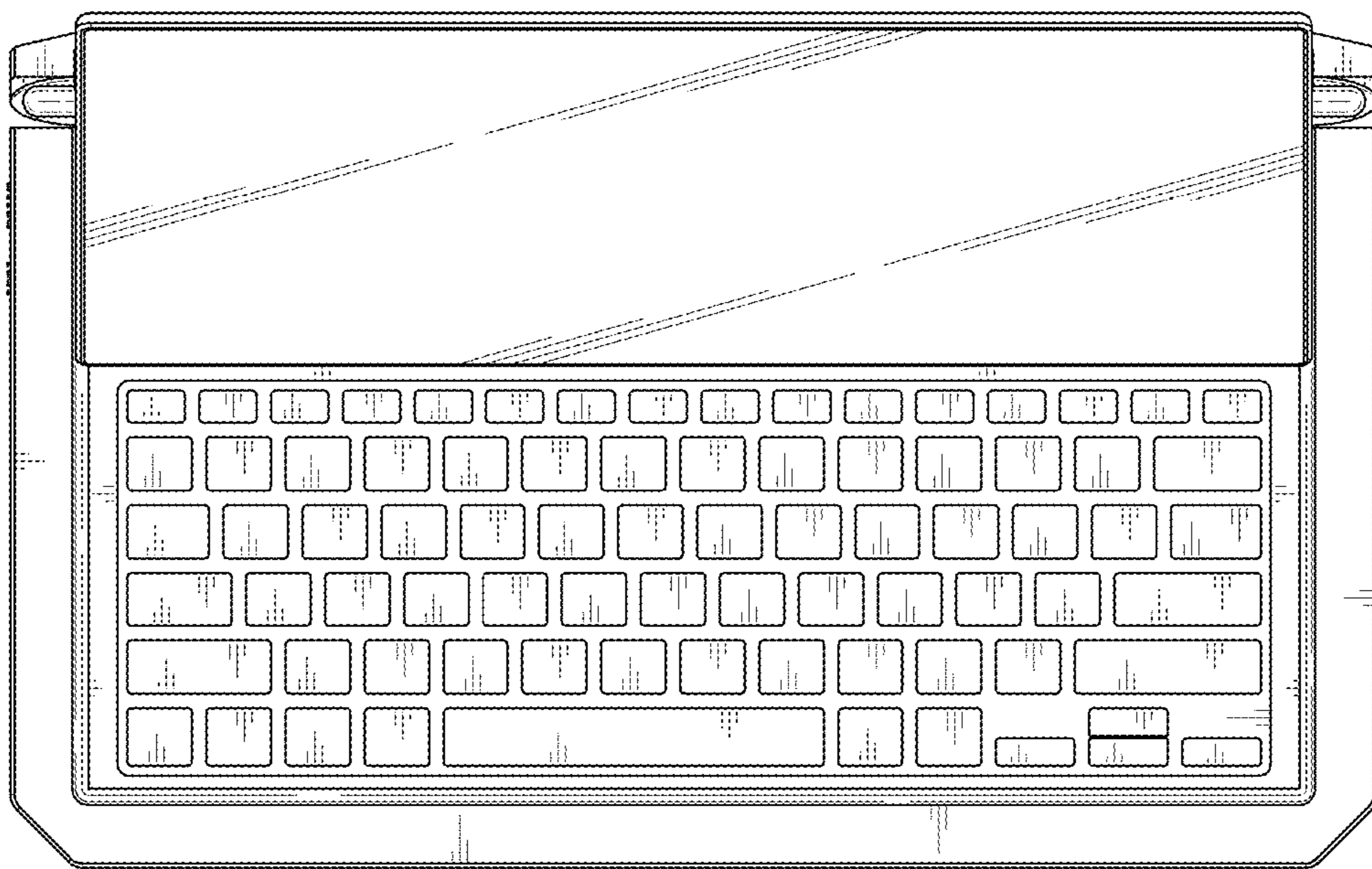


FIG. 7

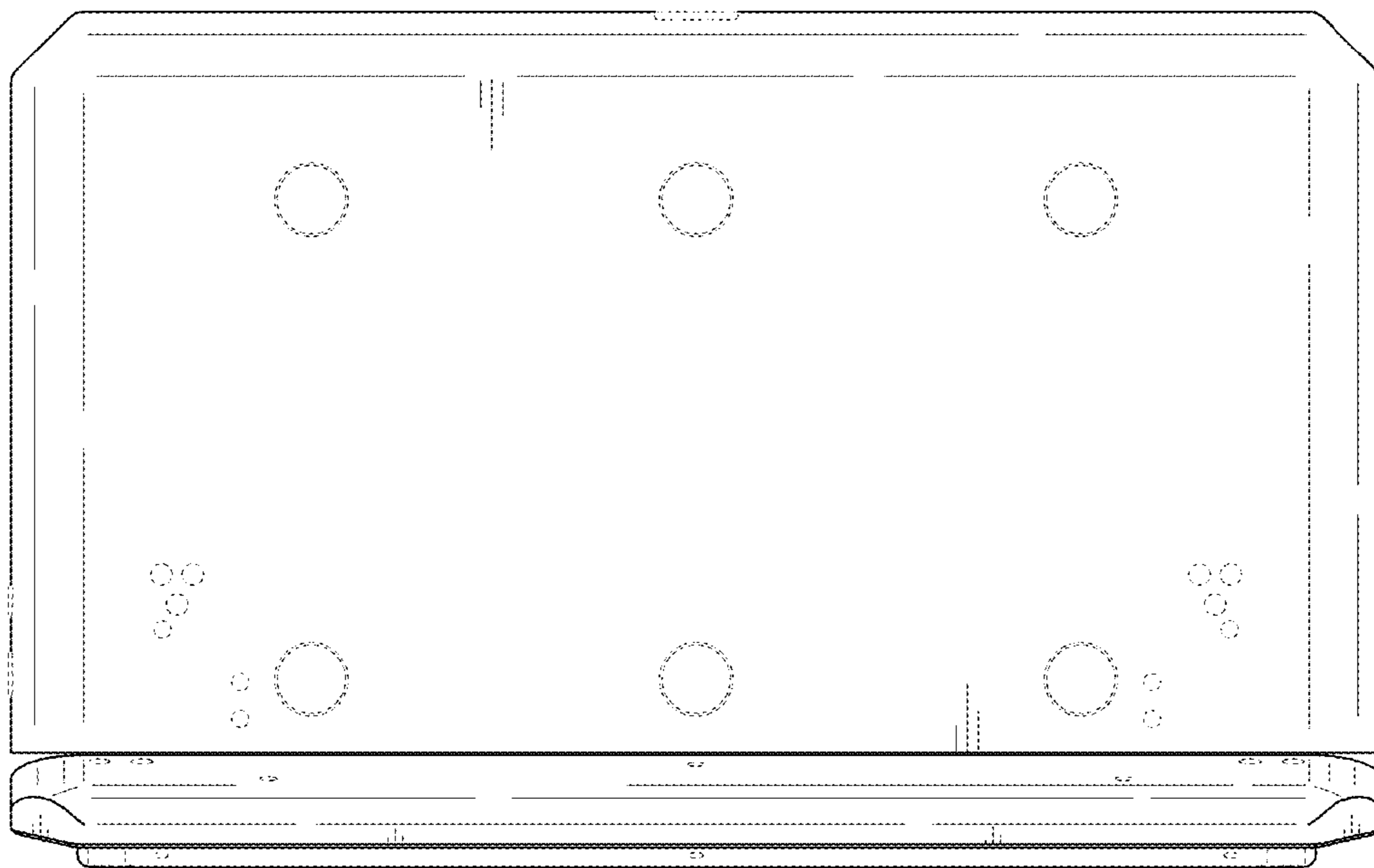




FIG. 8

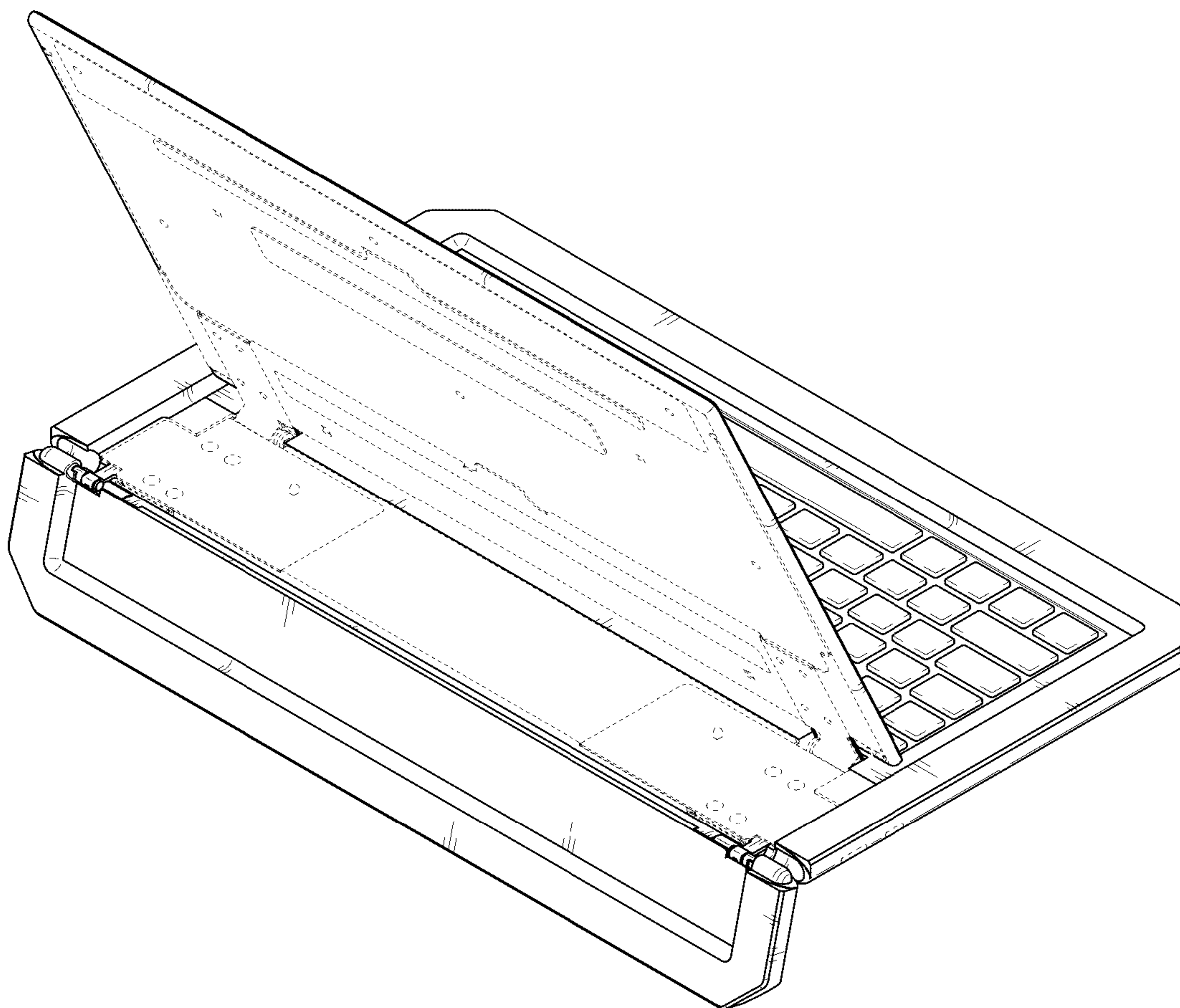


FIG. 9

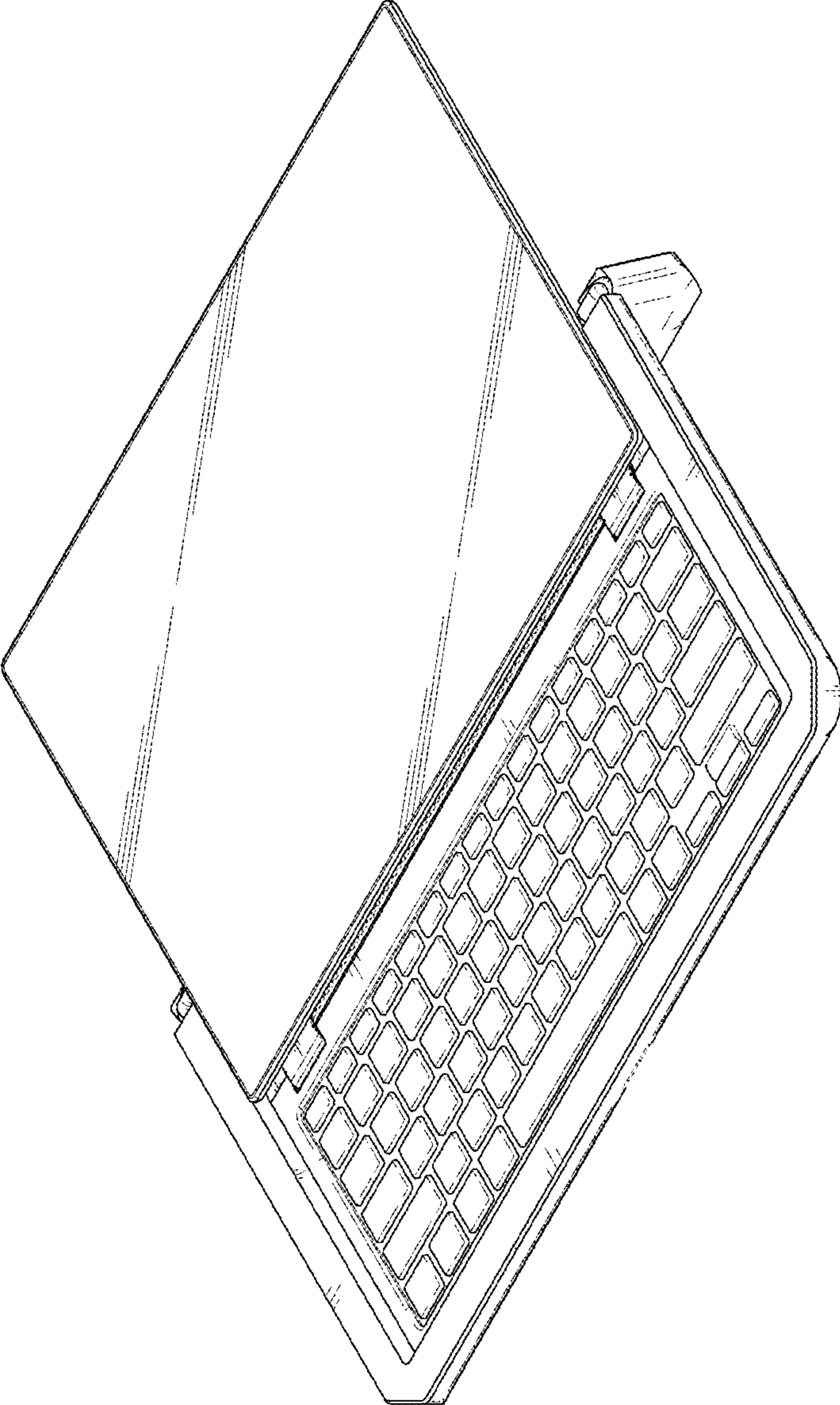


FIG. 10

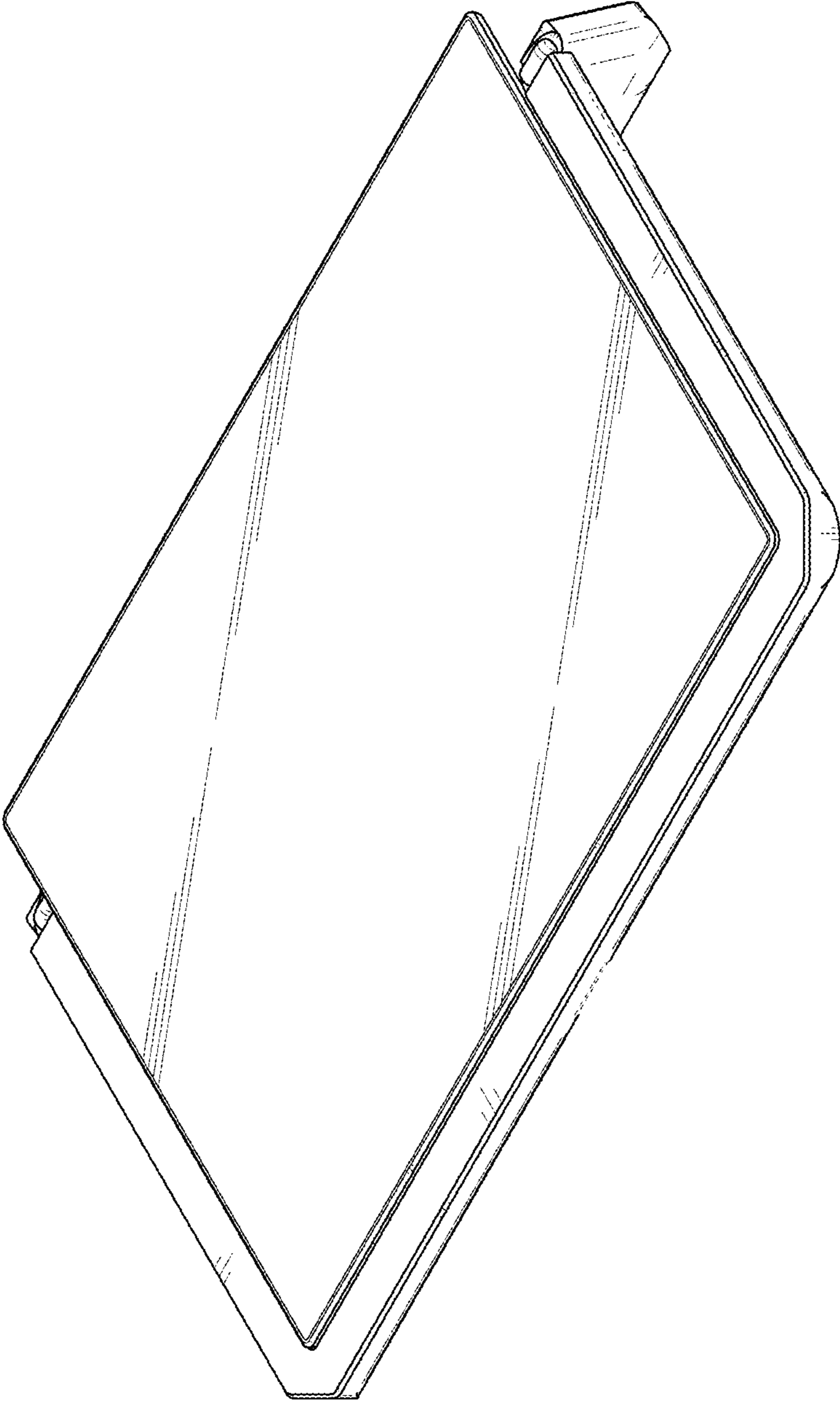


FIG. 11

