



US00D768620S

(12) **United States Design Patent**
Wang et al.

(10) **Patent No.:** **US D768,620 S**
(45) **Date of Patent:** **** Oct. 11, 2016**

(54) **CASING FOR ELECTRONIC DEVICE**

D650,378 S * 12/2011 Lee D14/315

(71) Applicant: **ASUSTeK COMPUTER INC.**, Taipei (TW)

(Continued)

(72) Inventors: **Li-Yen Wang**, Taipei (TW); **Tsui-Wei Lin**, Taipei (TW); **Yung-Hsun Chen**, Taipei (TW); **Ming-Chih Huang**, Taipei (TW); **Chin-Rang Ku**, Taipei (TW); **Yi-Ting Chen**, Taipei (TW); **Po-Wen Huang**, Taipei (TW); **Yen-Chih Chen**, Taipei (TW); **Ying-Chou Chen**, Taipei (TW); **Tang-Lung Lo**, Taipei (TW)

OTHER PUBLICATIONS

Hhttp://www.asus.com/Notebooks/ASUS-ZenBook-UX303LN/gallery/2014/10/22—2 pp.

Primary Examiner — Freda S Nunn

(74) *Attorney, Agent, or Firm* — Muncy, Geissler, Olds & Lowe, P.C.

(73) Assignee: **ASUSTEK COMPUTER INC.**, Taipei (TW)

(**) Term: **15 Years**

(21) Appl. No.: **29/532,564**

(22) Filed: **Jul. 8, 2015**

(57) **CLAIM**

The ornamental design for a casing for electronic device, as shown and described.

Related U.S. Application Data

DESCRIPTION

(63) Continuation-in-part of application No. 29/523,561, filed on Apr. 10, 2015.

(51) **LOC (10) Cl.** **14-02**

(52) **U.S. Cl.**
USPC **D14/315**

(58) **Field of Classification Search**
USPC D14/315-327; D18/1, 2, 7, 11;

235/145 A, 145 R; 341/22, 23; 345/104, 345/156, 168, 169, 173; 361/679.08, 361/679.09, 679.11, 679.26, 679.27

CPC G06F 1/16; G06F 1/1616; G06F 1/1626; G06F 1/1632; G06F 1/1613; G06F 1/1601; G06F 1/1618; G06F 1/162; G06F 1/166; G06F 1/1654; G06F 1/1681; G06F 1/1637; G06F 1/1688; H01R 35/02; H03M 11/00; G09B 13/04; H03K 17/94; G09G 5/00; F16M 11/10; H05K 5/00; H04M 1/0237

See application file for complete search history.

FIG. 1 is a perspective view of the casing for electronic device;
FIG. 2 is a front elevational view of the embodiment of the design;
FIG. 3 is a rear elevational view of the embodiment of the design;
FIG. 4 is a left side elevational view of the embodiment of the design;
FIG. 5 is a right side elevational view of the embodiment of the design;
FIG. 6 is a top plan view of the embodiment of the design;
FIG. 7 is a bottom plan view of the embodiment of the design;
FIG. 8 is another top plan view of the embodiment of the design shown in the open position; and,
FIG. 9 is an enlarged fragmented view of the embodiment of the design as indicated in FIG. 5.

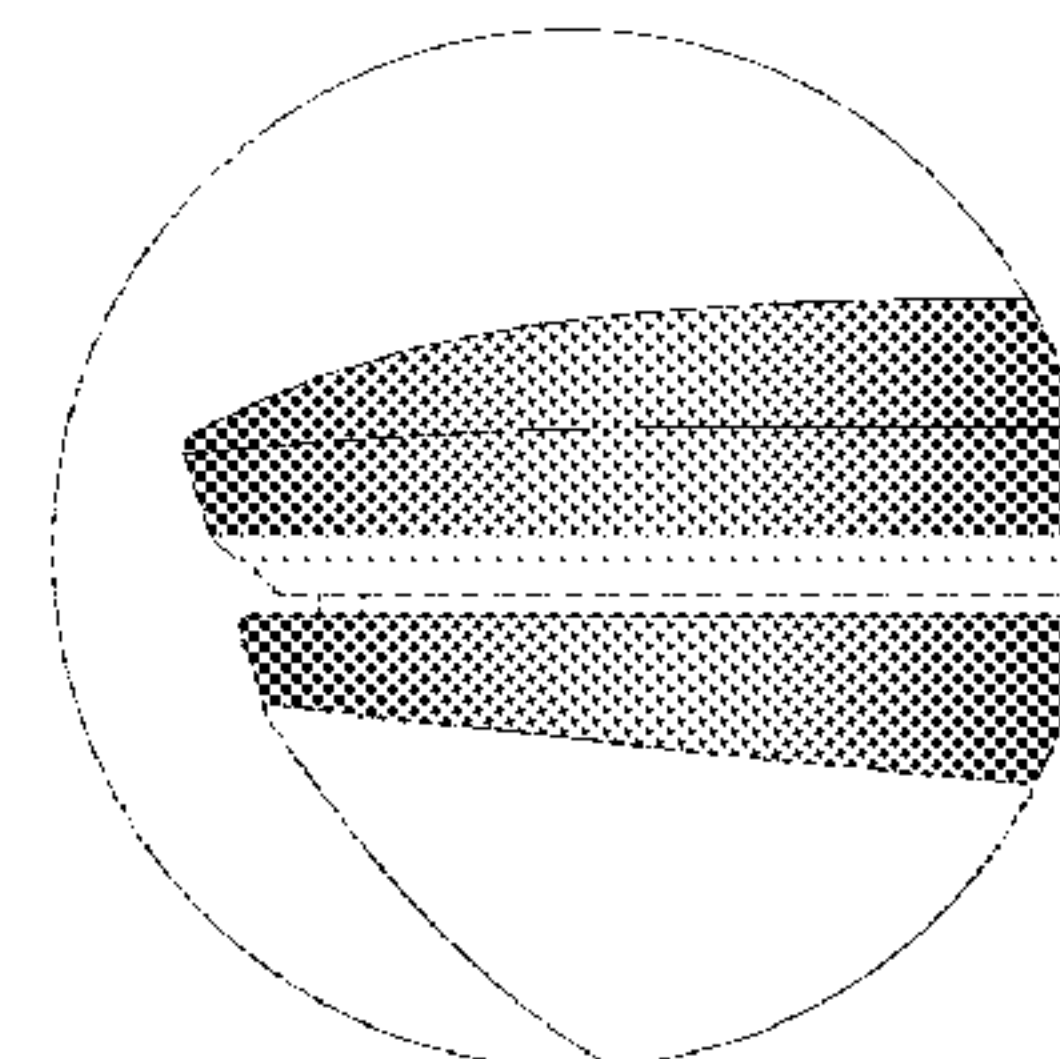
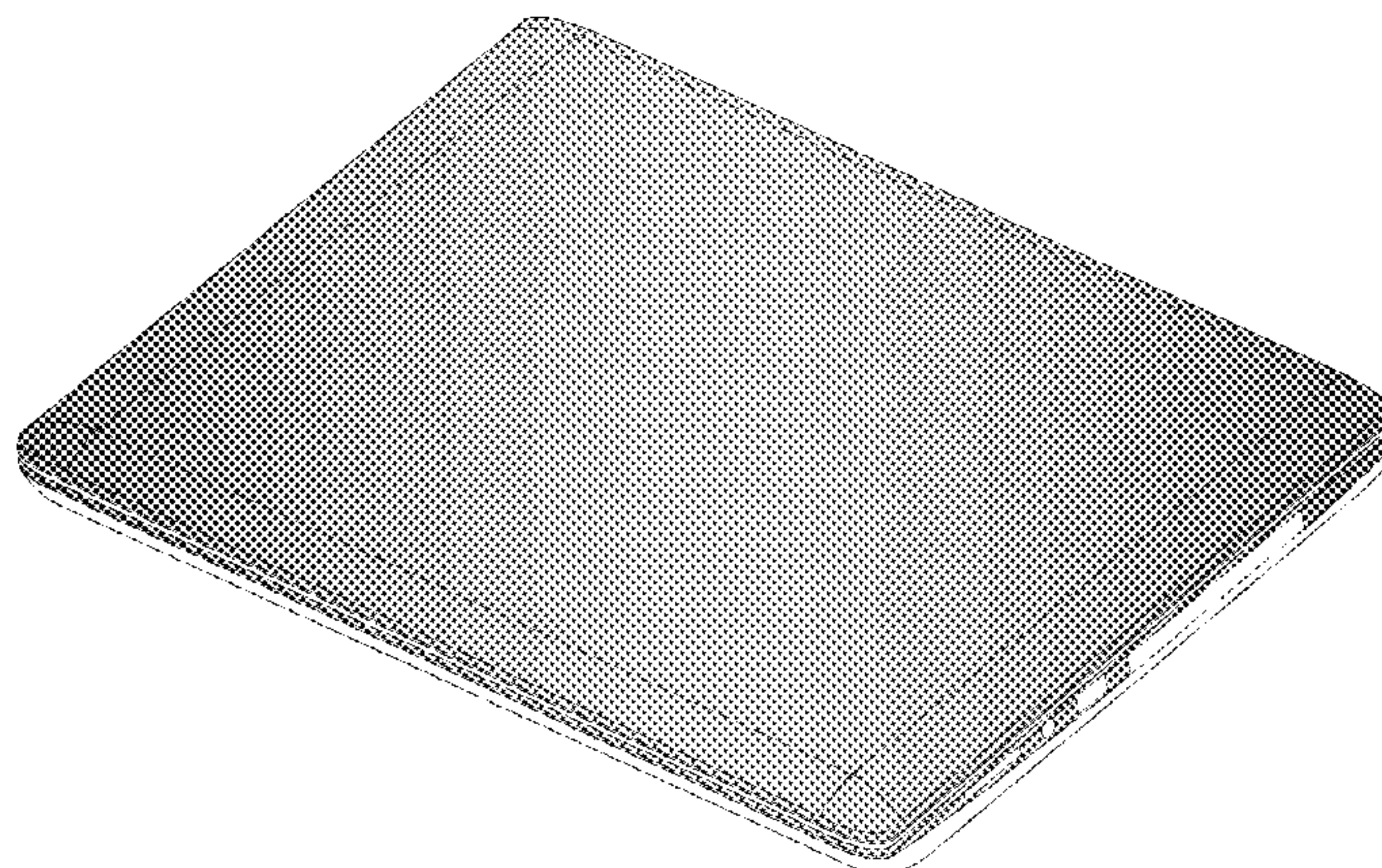
The broken lines are included in the drawings to show unclaimed subject matter only and form no part of the claimed design. The portions of the electronic device shown in gray in FIGS. 1-9 represent a thin film.

(56) **References Cited**

U.S. PATENT DOCUMENTS

D626,548 S * 11/2010 Kim D14/327

1 Claim, 7 Drawing Sheets



US D768,620 S

Page 2

(56)

References Cited

U.S. PATENT DOCUMENTS

D651,599 S *	1/2012	Kim	D14/315	
D687,430 S *	8/2013	Park	D14/315	* cited by examiner
D714,284 S *	9/2014	Lin	D14/315	
2011/0162987 A1 *	7/2011	Bekele	G06F 1/1616 206/320	



FIG.1

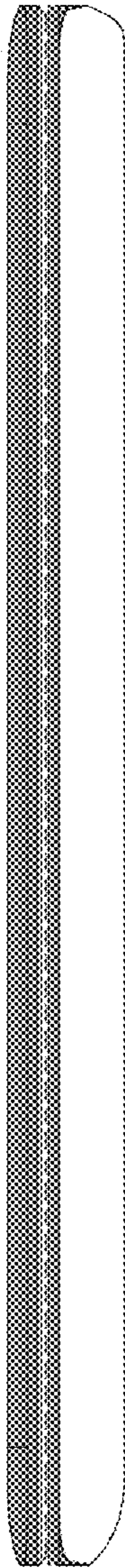


FIG. 2

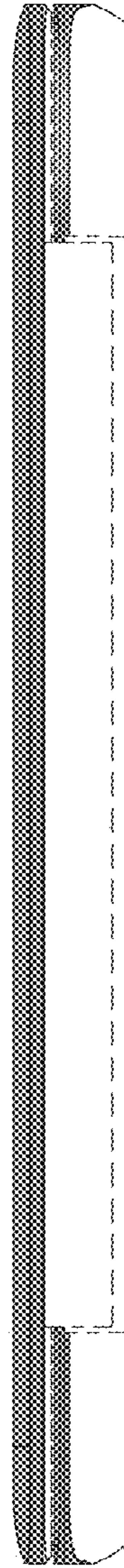


FIG. 3

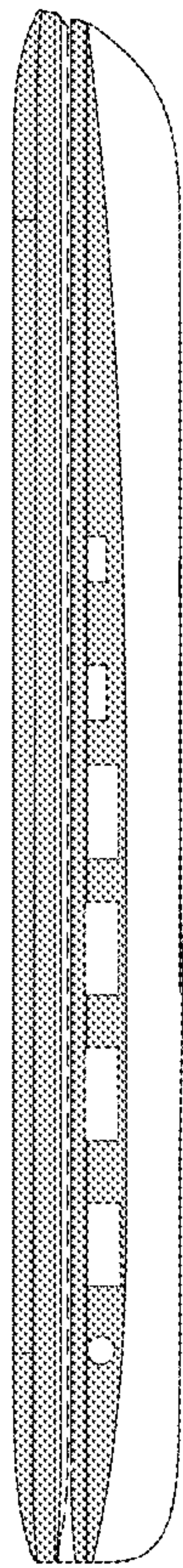


FIG. 4

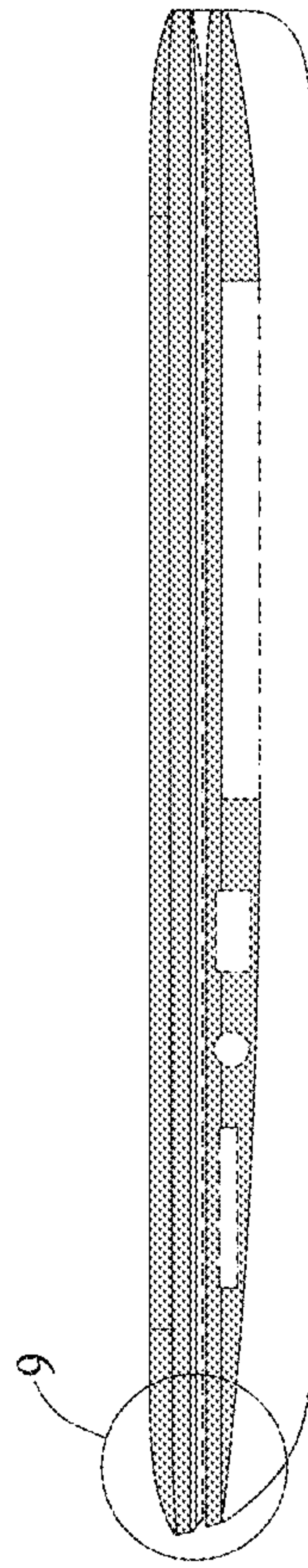


FIG. 5

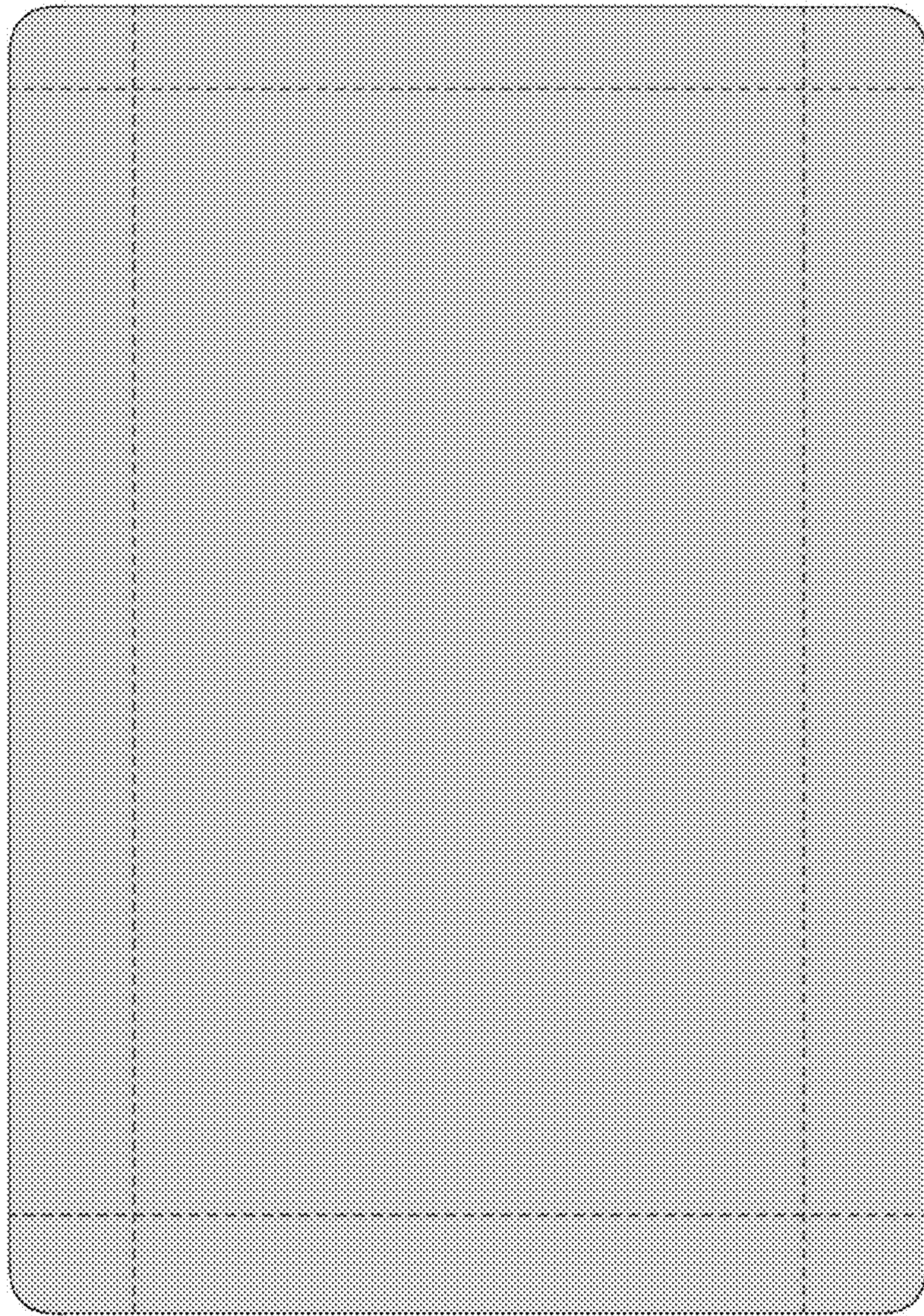


FIG.6

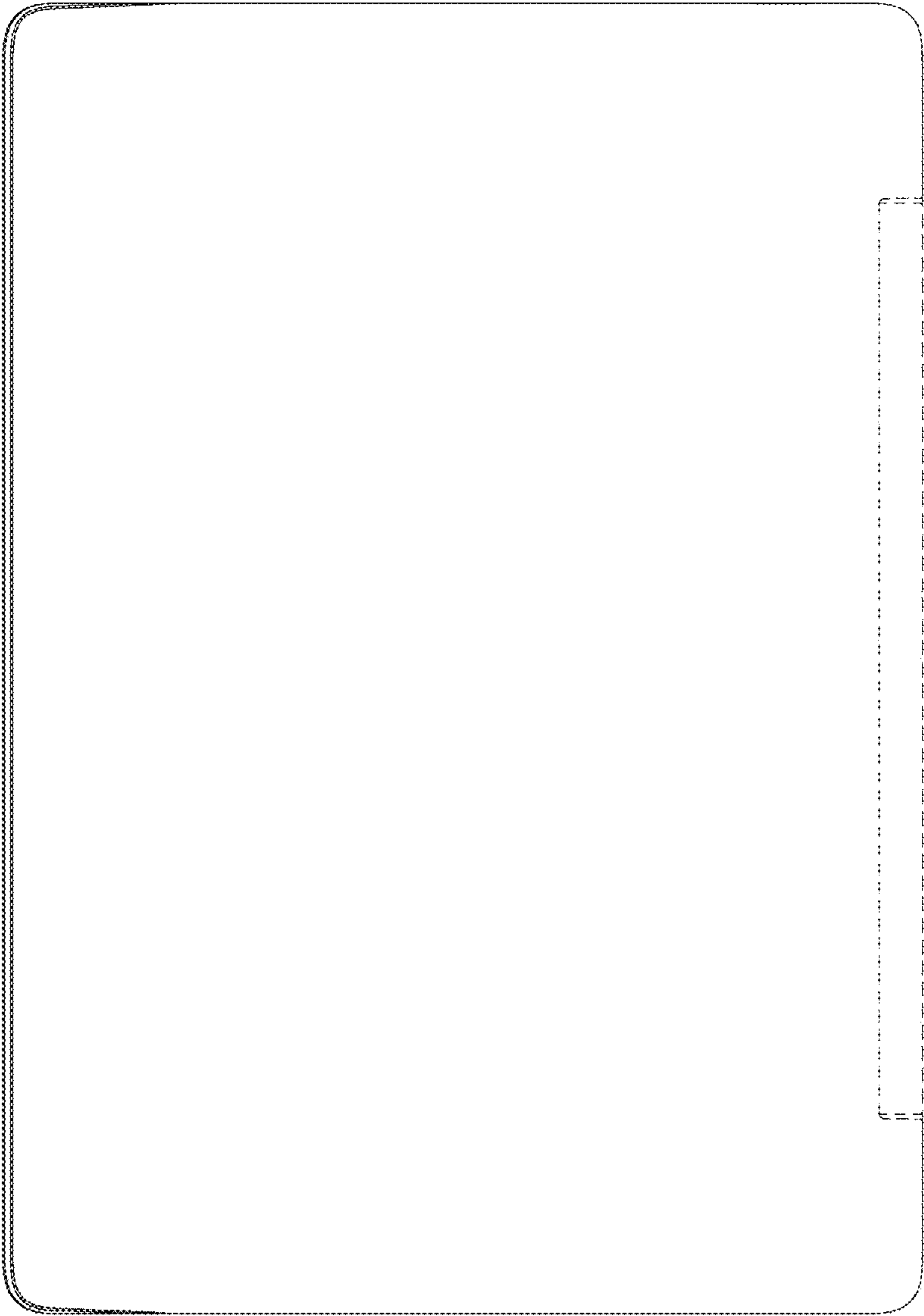


FIG. 7

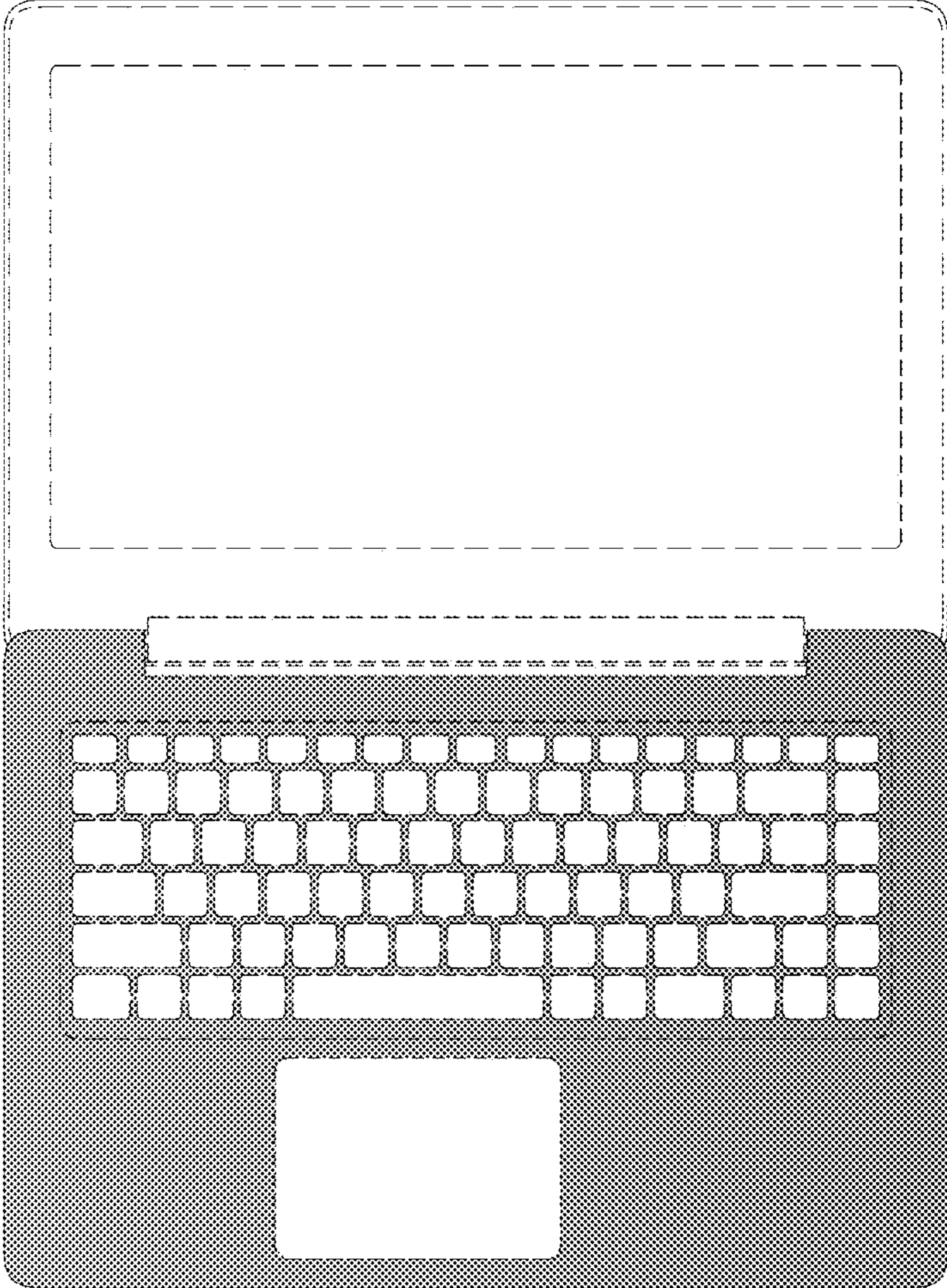


FIG.8

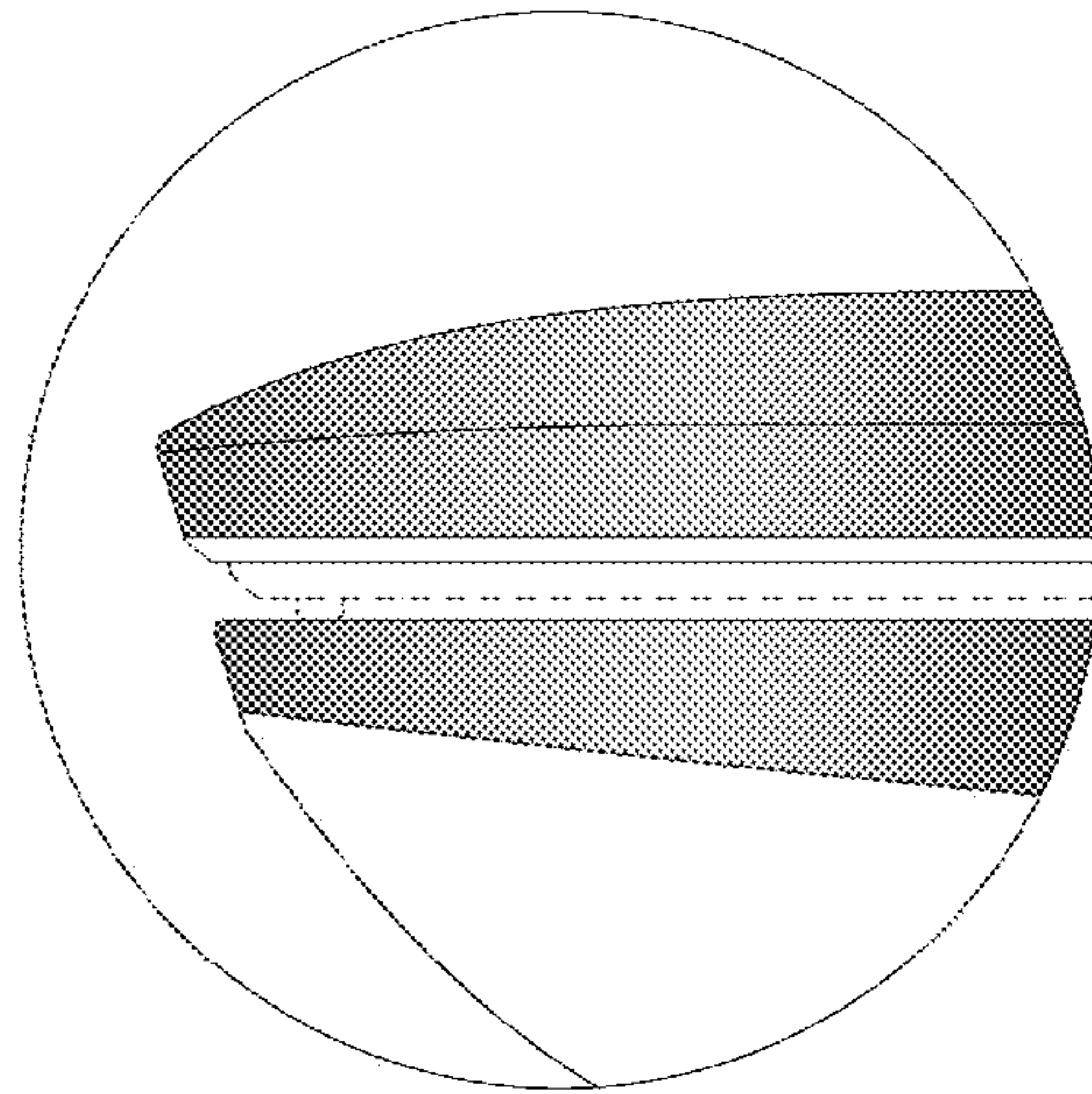


FIG.9