



US00D768616S

(12) **United States Design Patent**
Harata et al.

(10) **Patent No.:** **US D768,616 S**
(45) **Date of Patent:** **** Oct. 11, 2016**

(54) **COVER FOR PORTABLE ELECTRONIC DEVICE**

D657,354 S * 4/2012 Kim D14/250
8,490,783 B1 * 7/2013 Fan H04M 1/185
206/45.23

(71) Applicant: **Samsung Electronics Co., Ltd.**,
Suwon-si (KR)

D713,834 S * 9/2014 Almstrom D14/250
D723,020 S * 2/2015 Kim D14/250
D747,705 S * 1/2016 Kim D14/250

(72) Inventors: **Tomohiro Harata**, Seoul (KR); **Iksang Kim**, Seoul (KR); **Jiwoong Hwang**, Seoul (KR)

D751,057 S * 3/2016 Ahn D14/250
D751,539 S * 3/2016 Ahn D14/250
2015/0015443 A1 * 1/2015 Lee H01Q 1/243
343/702
2015/0229754 A1 * 8/2015 Won H04M 1/72563
455/575.8

(73) Assignee: **SAMSUNG ELECTRONICS CO., LTD.**, Suwon-Si (KR)

* cited by examiner

(**) Term: **14 Years**

Primary Examiner — Eric Goodman

(21) Appl. No.: **29/517,129**

Assistant Examiner — Amy Wierenga

(22) Filed: **Feb. 10, 2015**

(74) *Attorney, Agent, or Firm* — McAndrews Held & Malloy, Ltd.

(30) **Foreign Application Priority Data**

Sep. 5, 2014 (KR) 30-2014-0043777

(51) **LOC (10) Cl.** **14-03**

(52) **U.S. Cl.**
USPC **D14/250**

(58) **Field of Classification Search**
USPC D14/143, 189, 203.2–203.8, 217, 240,
D14/248, 250–253, 440, 447, 496, 214–216,
D14/341, 345, 347; D13/103, 107, 108,
D13/119; D3/201, 218, 247, 269, 271.5,
D3/273, 302, 303
CPC A45C 1/06; A45C 11/00; A45C 13/02;
A45C 2011/002; A45F 2005/026; A45F
2200/0516; H04B 1/3888; H04M 1/0283;
H04M 1/0202

See application file for complete search history.

(56) **References Cited**

U.S. PATENT DOCUMENTS

D582,405 S * 12/2008 Andre D3/299
D624,304 S * 9/2010 Danze D3/201

(57) **CLAIM**

The ornamental design for a cover for portable electronic device, as shown and described.

DESCRIPTION

FIG. 1 is a bottom right front perspective view of a cover for portable electronic device showing our new design;
FIG. 2 is a front elevation view thereof;
FIG. 3 is a rear elevation view thereof;
FIG. 4 is a left side elevation view thereof;
FIG. 5 is a right side elevation view thereof;
FIG. 6 is a top plan view thereof; and,
FIG. 7 is a bottom plan view thereof.

The dashed broken lines in the figures represent unclaimed portions of the cover for portable electronic device and form no part of the claimed design.

The dot-dash broken lines in FIGS. 1 and 2 represent an unclaimed boundary line and form no part of the claimed design.

1 Claim, 7 Drawing Sheets

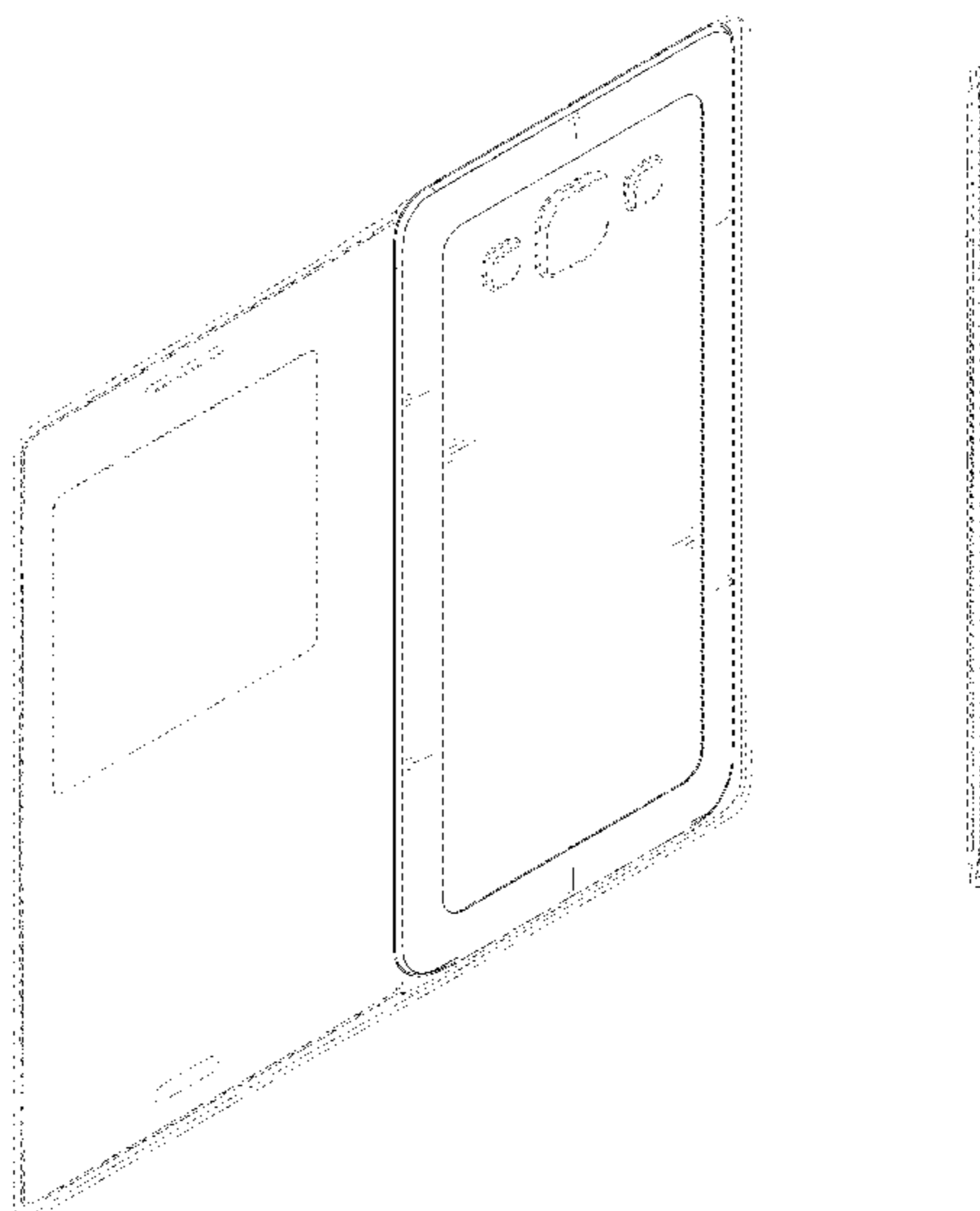


FIG. 1

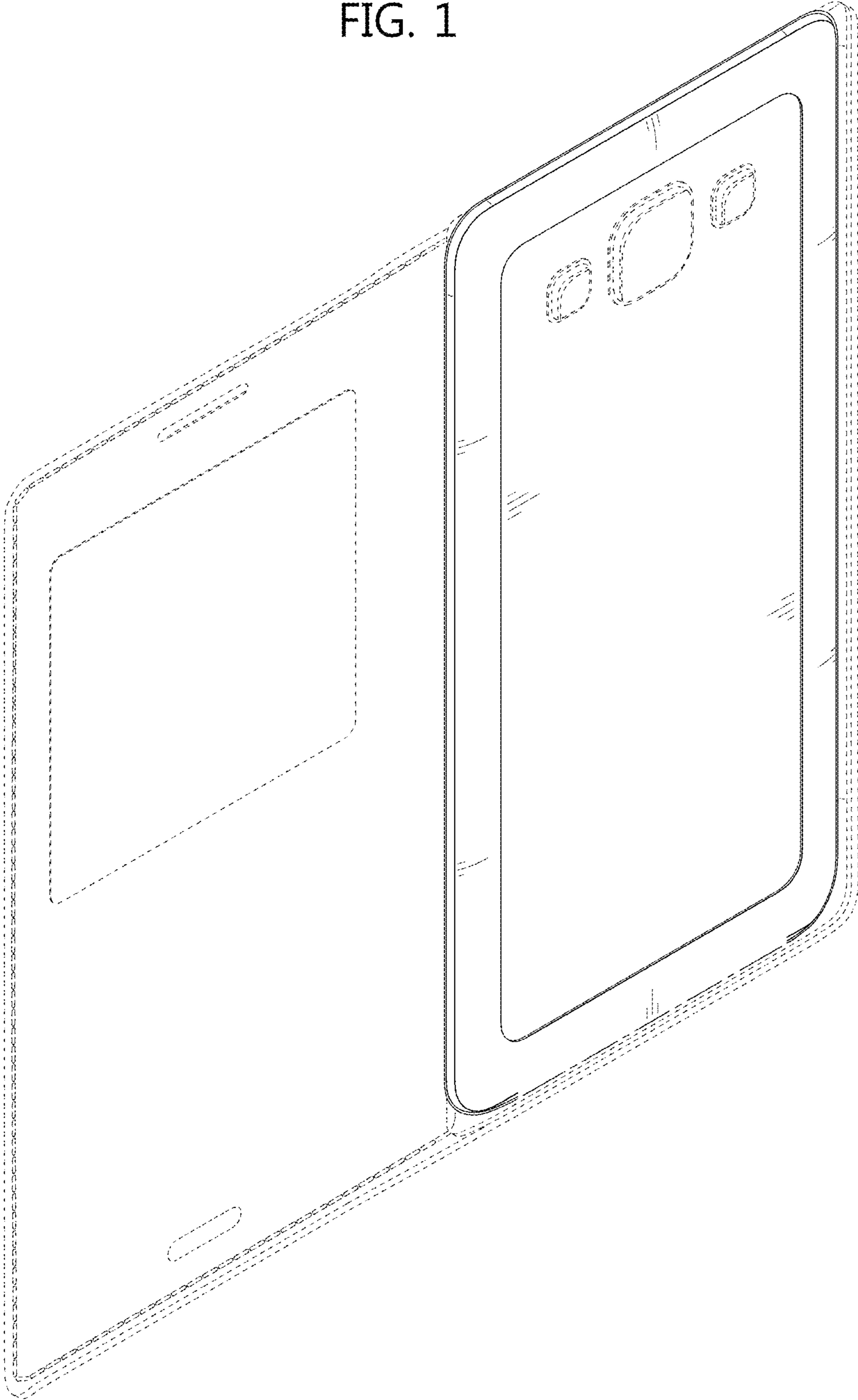


FIG. 2

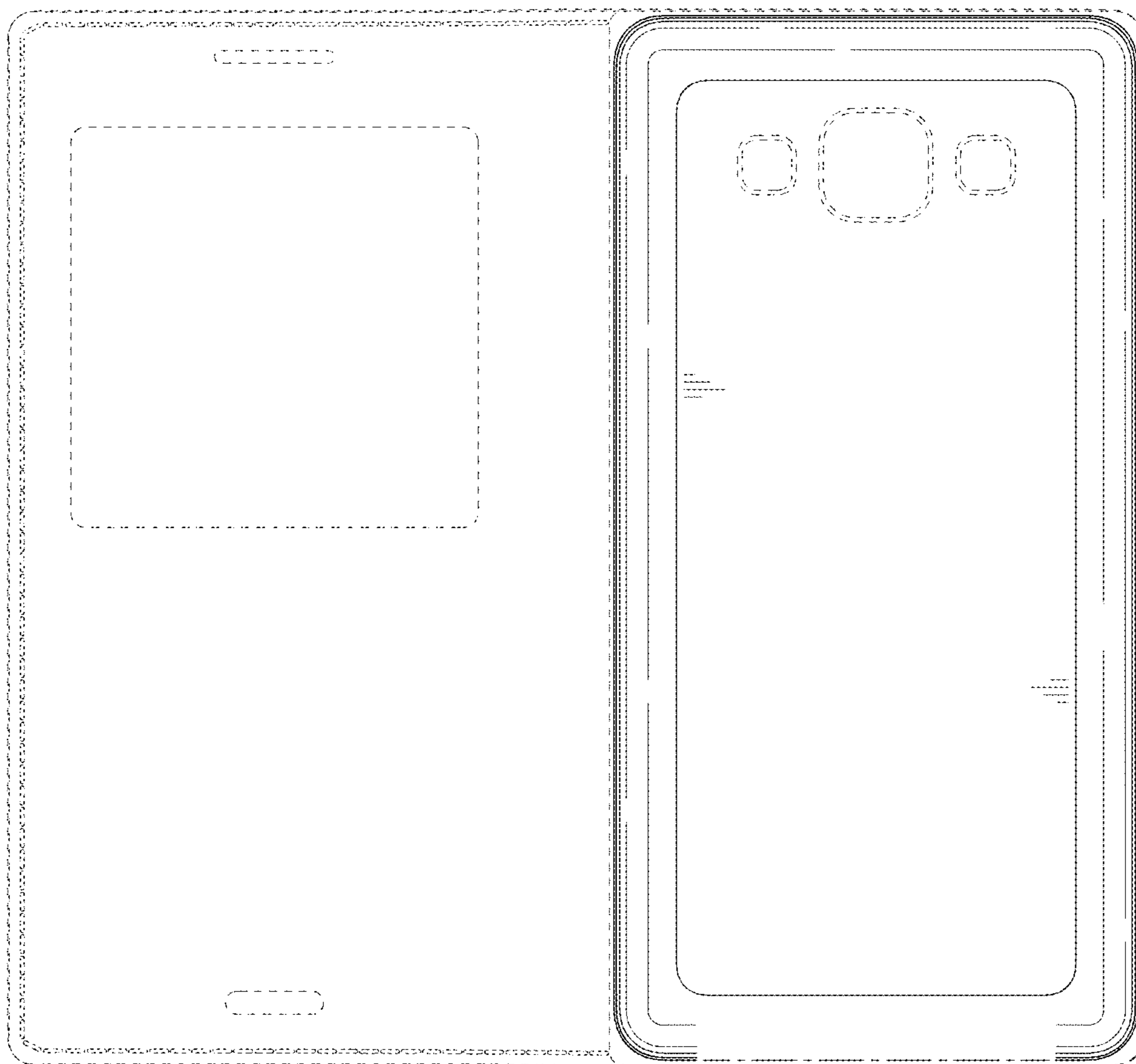


FIG. 3

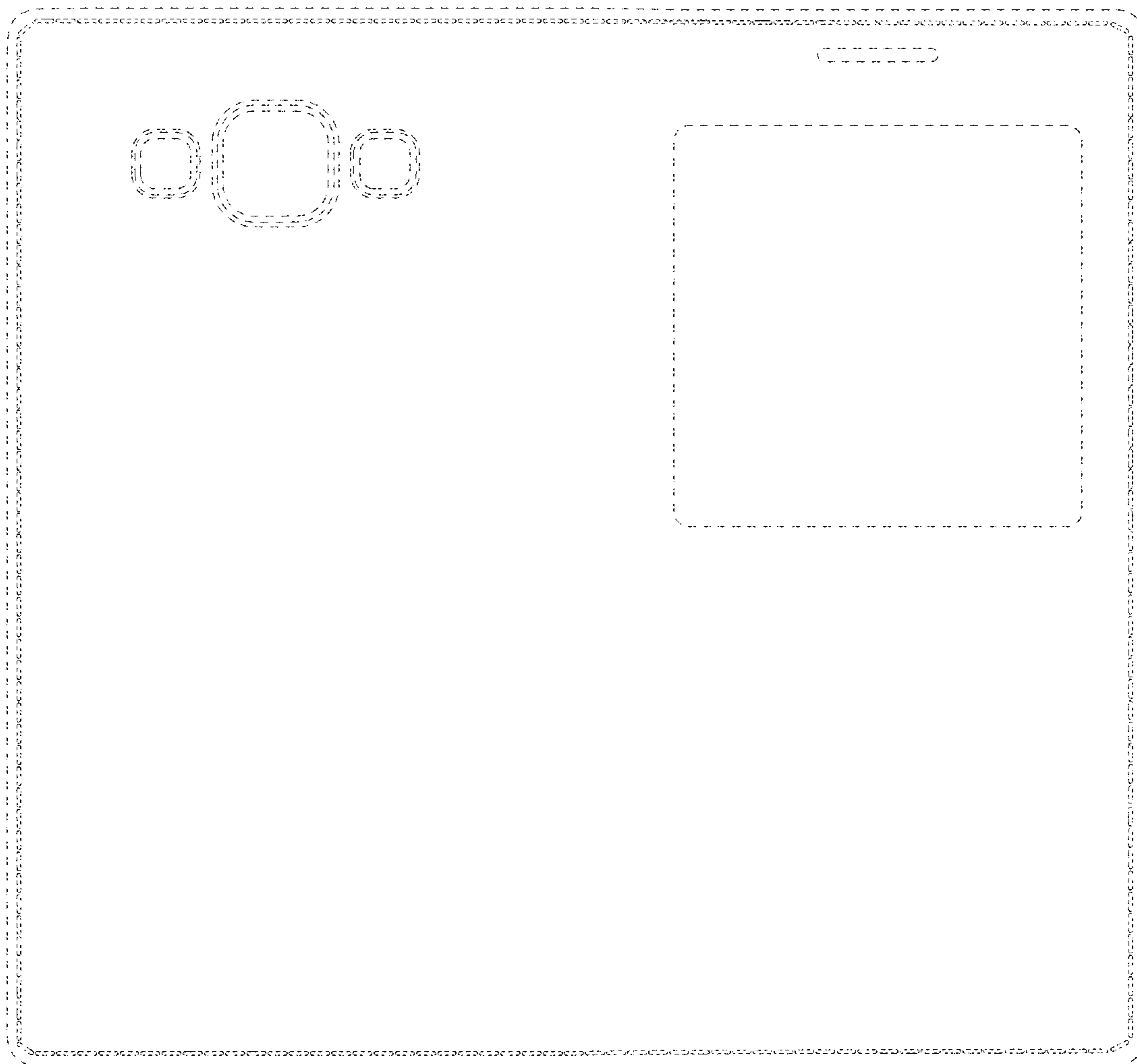


FIG. 4

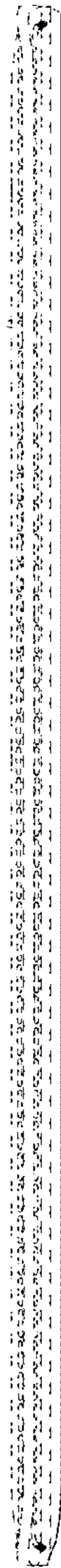


FIG. 5

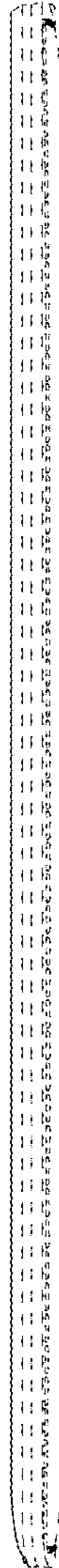


FIG. 6

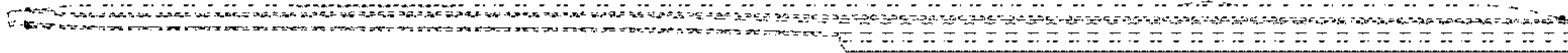


FIG. 7

