



US00D768615S

(12) **United States Design Patent**
Wang

(10) **Patent No.:** **US D768,615 S**
(45) **Date of Patent:** **** Oct. 11, 2016**

(54) **PROTECTIVE COVER FOR AN ELECTRONIC COMMUNICATION DEVICE**

(71) Applicant: **Taer Innovation Co., Ltd.**, New Taipei (TW)

(72) Inventor: **Chih-Sheng Wang**, New Taipei (TW)

(73) Assignee: **TAER INNOVATION CO., LTD.**, New Taipei (TW)

(**) Term: **14 Years**

(21) Appl. No.: **29/514,555**

(22) Filed: **Jan. 14, 2015**

(51) **LOC (10) Cl.** **14-03**

(52) **U.S. Cl.**
USPC **D14/250**

(58) **Field of Classification Search**
USPC D14/238.1, 440, 203.3–203.7, 217, 240, D14/248, 251–253, 447, 496, 250; D3/201, D3/218, 247, 269, 273, 301, 303; D13/107–108, 119, 103
CPC H04B 1/3888; H04M 1/0283; H04M 1/0202; A45C 1/06; A45C 11/00; A45C 13/02; A45C 2011/002; A45F 2005/026; A45F 2200/0525; A45F 2200/0516
See application file for complete search history.

(56) **References Cited**

U.S. PATENT DOCUMENTS

D609,463 S *	2/2010	Bullen	D3/218
D618,230 S *	6/2010	Brown	D14/250
D654,931 S *	2/2012	Lemelman	D14/496
D677,249 S *	3/2013	Li	D14/250
D687,426 S *	8/2013	Requa	D14/250
8,560,014 B1 *	10/2013	Hu	H04M 1/0274 361/679.1
D711,863 S *	8/2014	Wen	D14/250
D712,385 S *	9/2014	Hu	D14/250
D713,396 S *	9/2014	Tsai	D14/250
D714,274 S *	9/2014	Jung	D14/250
D714,276 S *	9/2014	Hu	D14/250

D716,784 S *	11/2014	Wen	D14/250
D716,785 S *	11/2014	White	D14/250
D717,776 S *	11/2014	Hemesath	D14/250
D718,230 S *	11/2014	To	D13/103

(Continued)

Primary Examiner — Carla Jobe Wright

(74) *Attorney, Agent, or Firm* — Li & Cai Intellectual Property (USA) Office

(57) **CLAIM**

The ornamental design for a “protective cover for an electronic communication device,” as shown and described.

DESCRIPTION

FIG. 1 is a front perspective view of a protective cover for an electronic communication device showing our new design;

FIG. 2 is a front view thereof;

FIG. 3 is a rear view thereof;

FIG. 4 is a left side view thereof;

FIG. 5 is a right side view thereof;

FIG. 6 is a top view thereof;

FIG. 7 is a bottom view thereof;

FIG. 8 is a rear perspective view thereof;

FIG. 9 is a front perspective view thereof, showing the round feature on the interior rear in a recessed configuration;

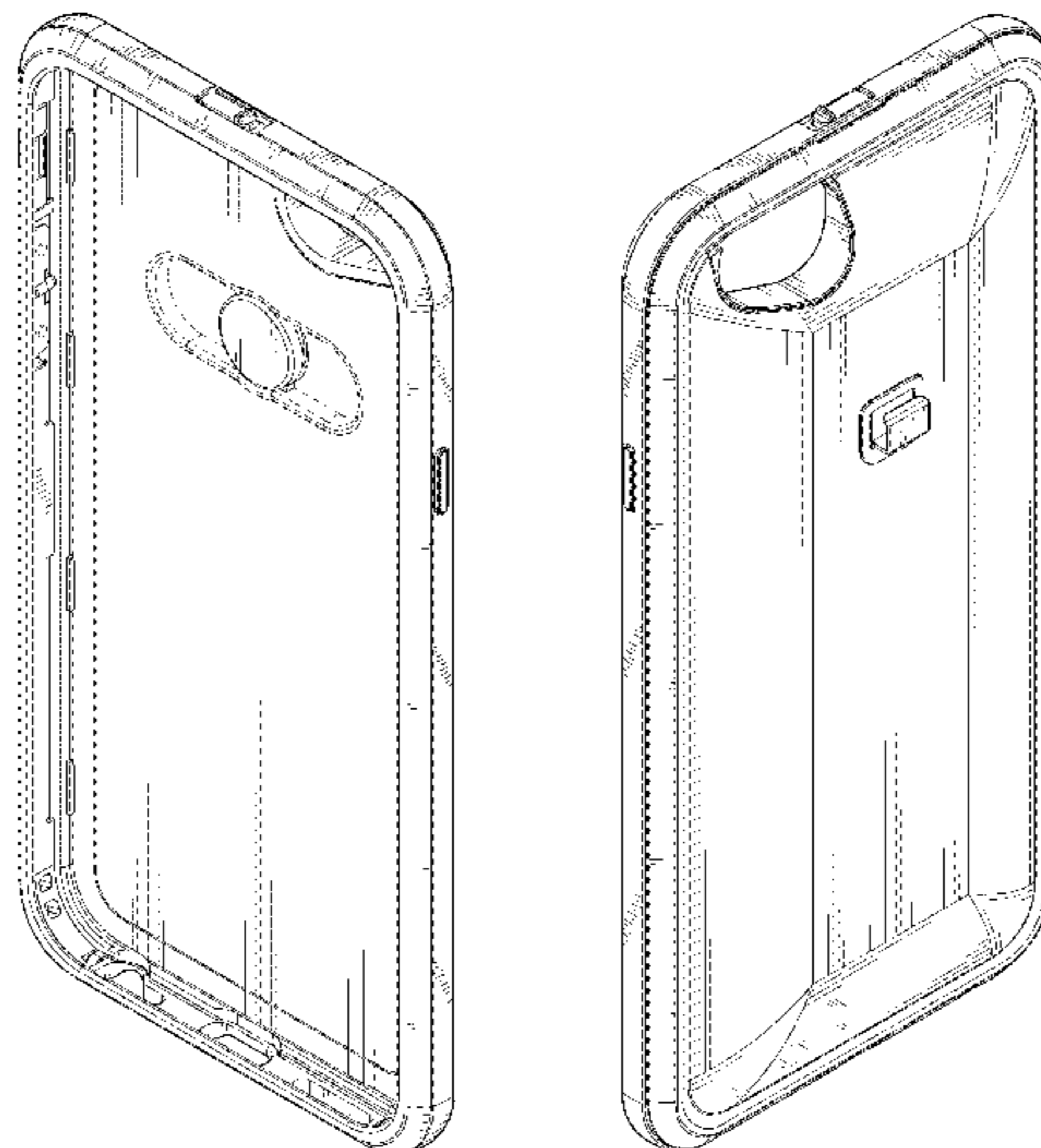
FIG. 10 is a rear perspective view thereof, showing the rectangular feature on the exterior rear in a protruding configuration;

FIG. 11 is a front perspective view thereof, shown in a state of use with an environmental electronic communication device; and,

FIG. 12 is a rear perspective view thereof, shown in a state of use with an environmental rear accessory.

The broken lines in FIGS. 11 and 12 depict an environmental electronic communication device and an environmental rear accessory that form no part of the claimed design. All other broken lines throughout the drawing figures depict portions of the protective cover that form no part of the claimed design.

1 Claim, 10 Drawing Sheets



US D768,615 S

Page 2

(56)

References Cited

U.S. PATENT DOCUMENTS

8,917,506 B2 *	12/2014	Diebel	G06F 1/1628	361/679.41
D720,740 S *	1/2015	Wicks	D14/250	
D722,952 S *	2/2015	Hu	D13/103	
8,954,117 B2 *	2/2015	Huang	H04B 1/3883	455/343.6
9,014,766 B2 *	4/2015	Hu	H04M 1/026	361/752
D732,012 S *	6/2015	Tsai	D14/250	
9,136,896 B2 *	9/2015	Wang	H04B 1/3888	
D750,609 S *	3/2016	Daniel	D14/250	
D751,542 S *	3/2016	Daniel	D14/250	
D756,911 S *	5/2016	Gupta	D13/103	
2016/0045004 A1 *	2/2016	Wang	G06F 1/1656	224/191

* cited by examiner

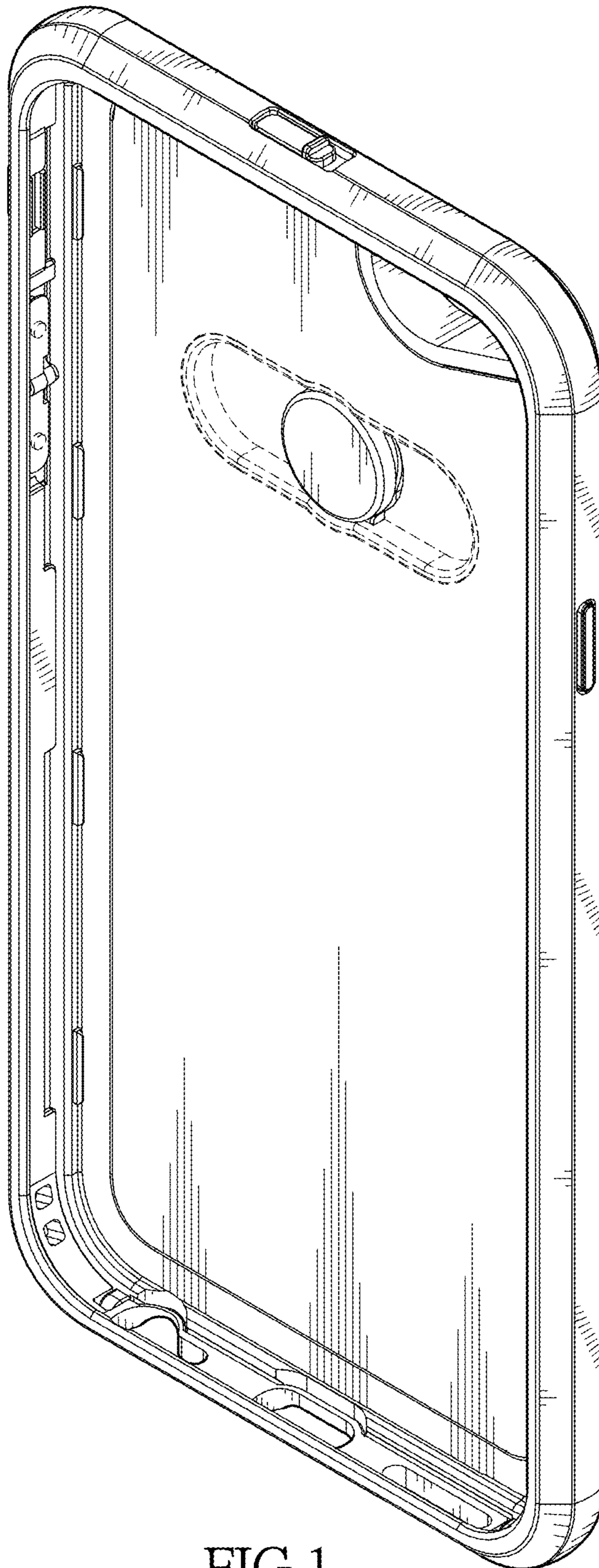


FIG.1

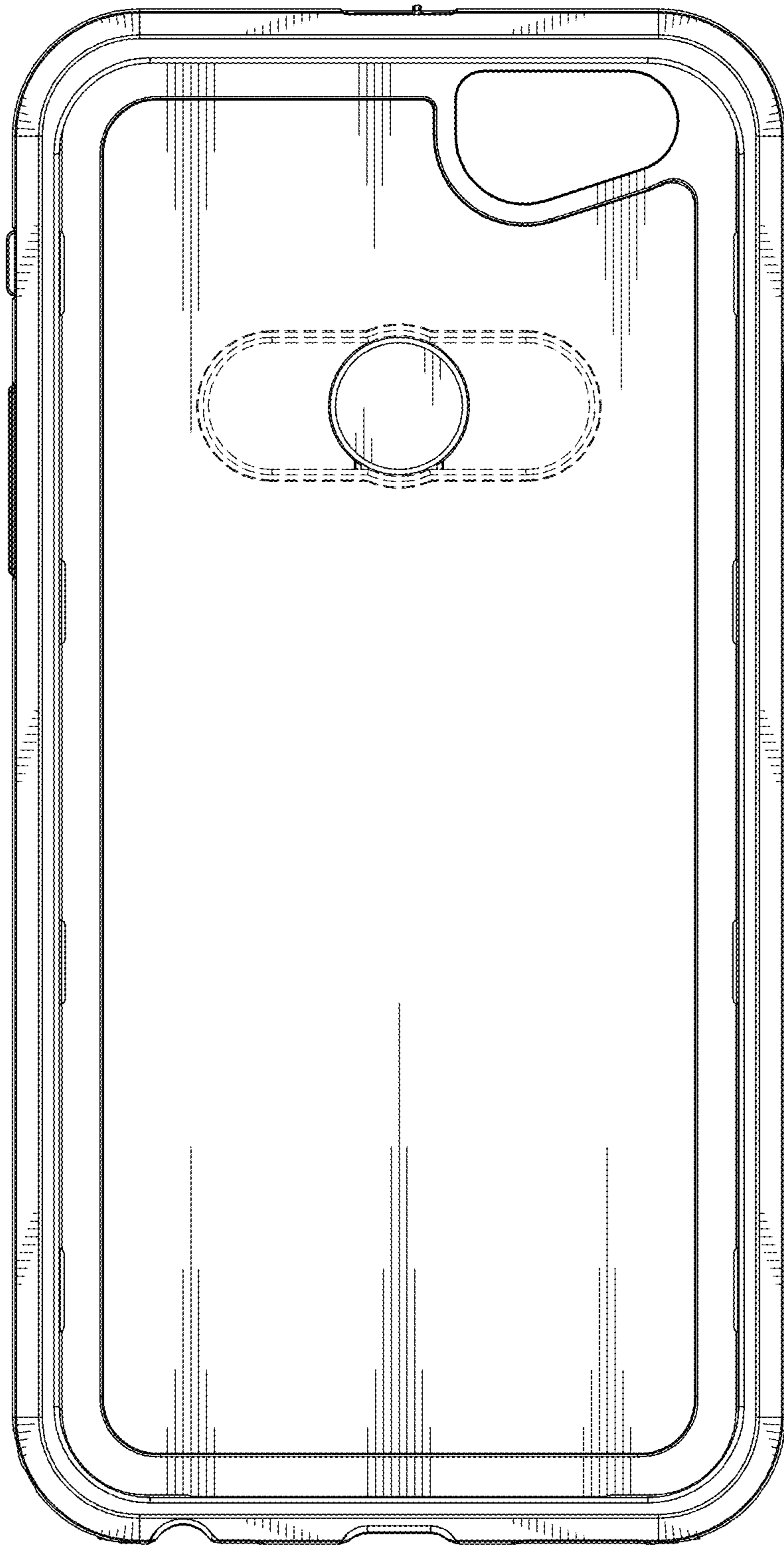


FIG.2

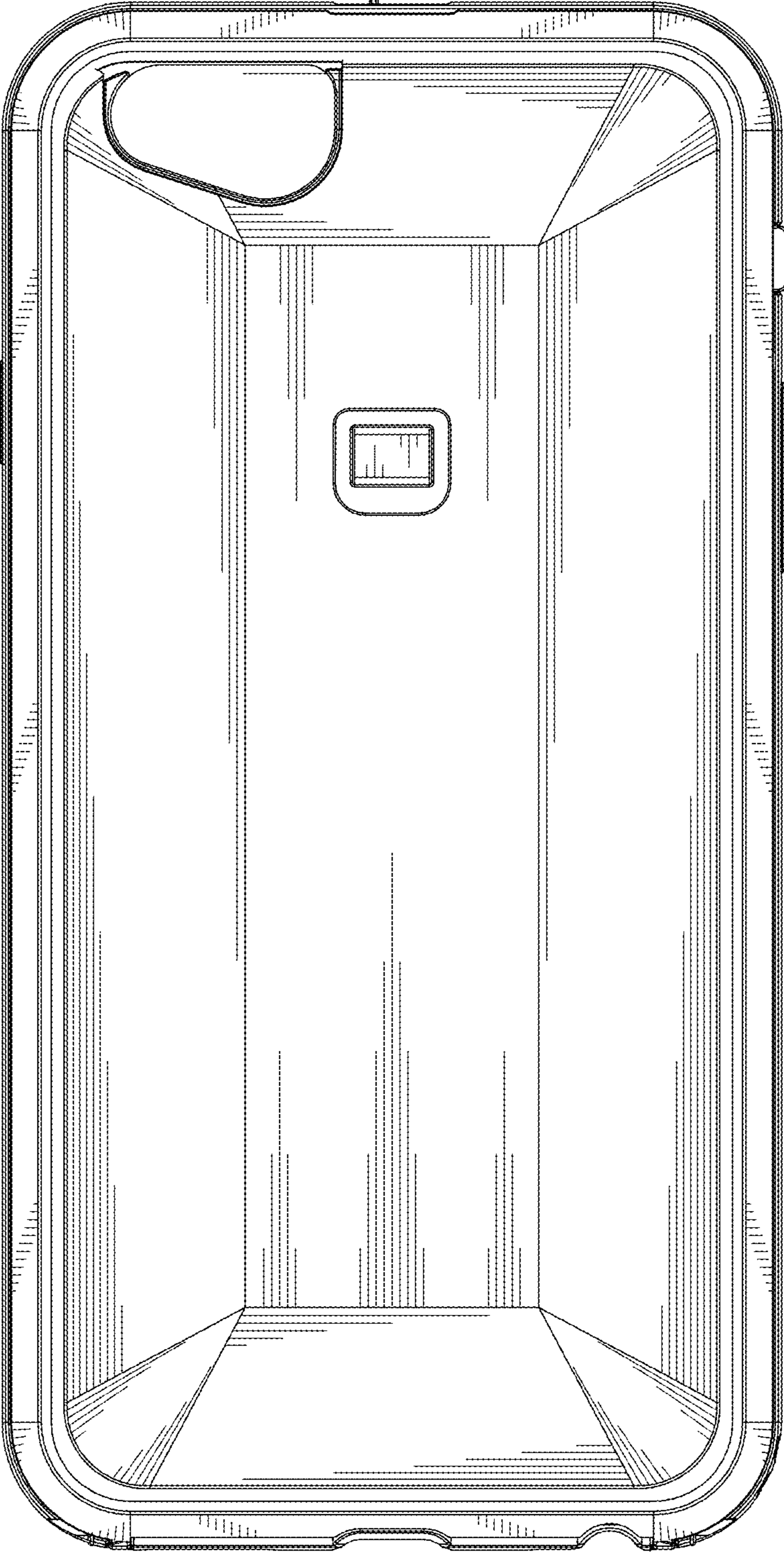


FIG.3

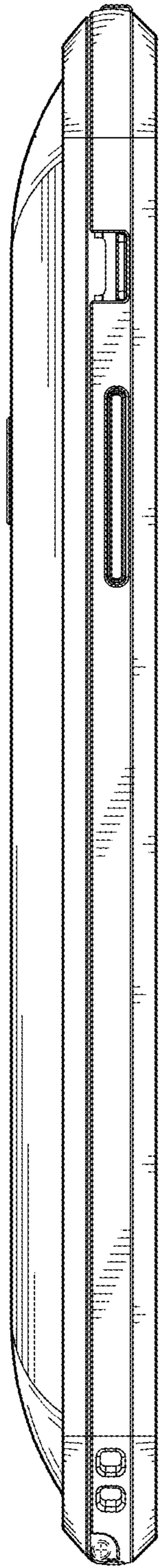


FIG.4

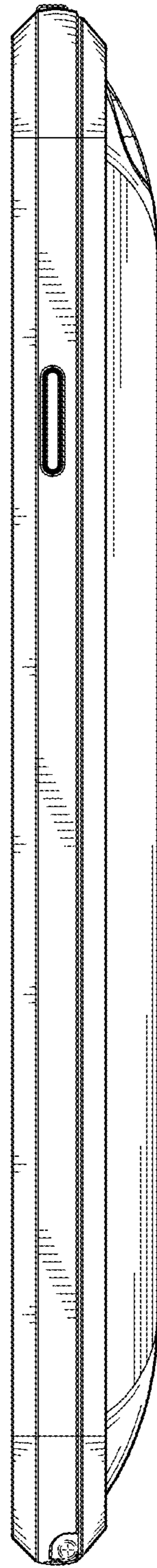


FIG.5

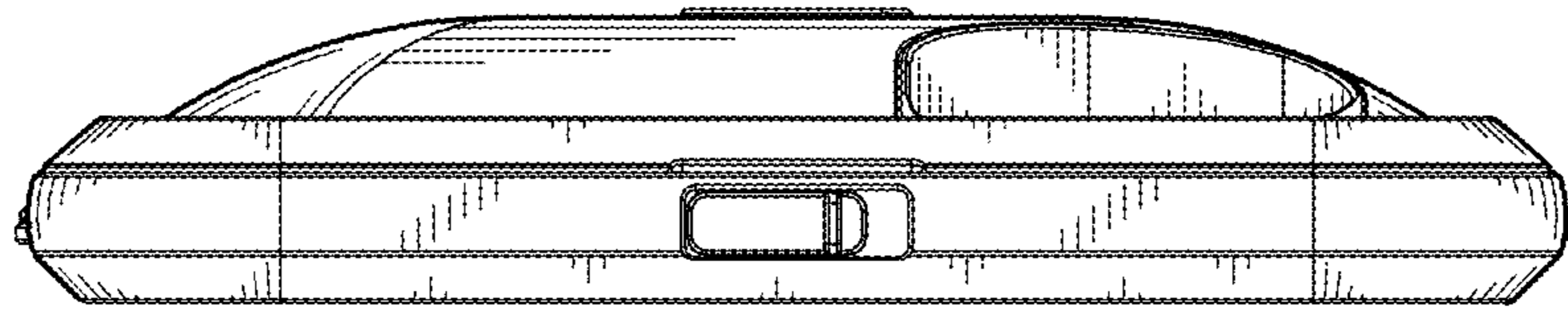


FIG.6

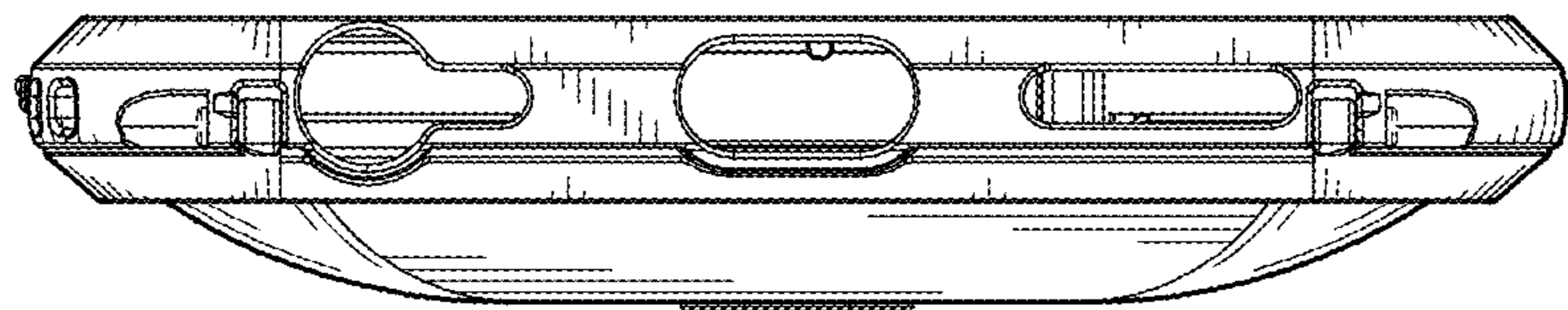


FIG.7

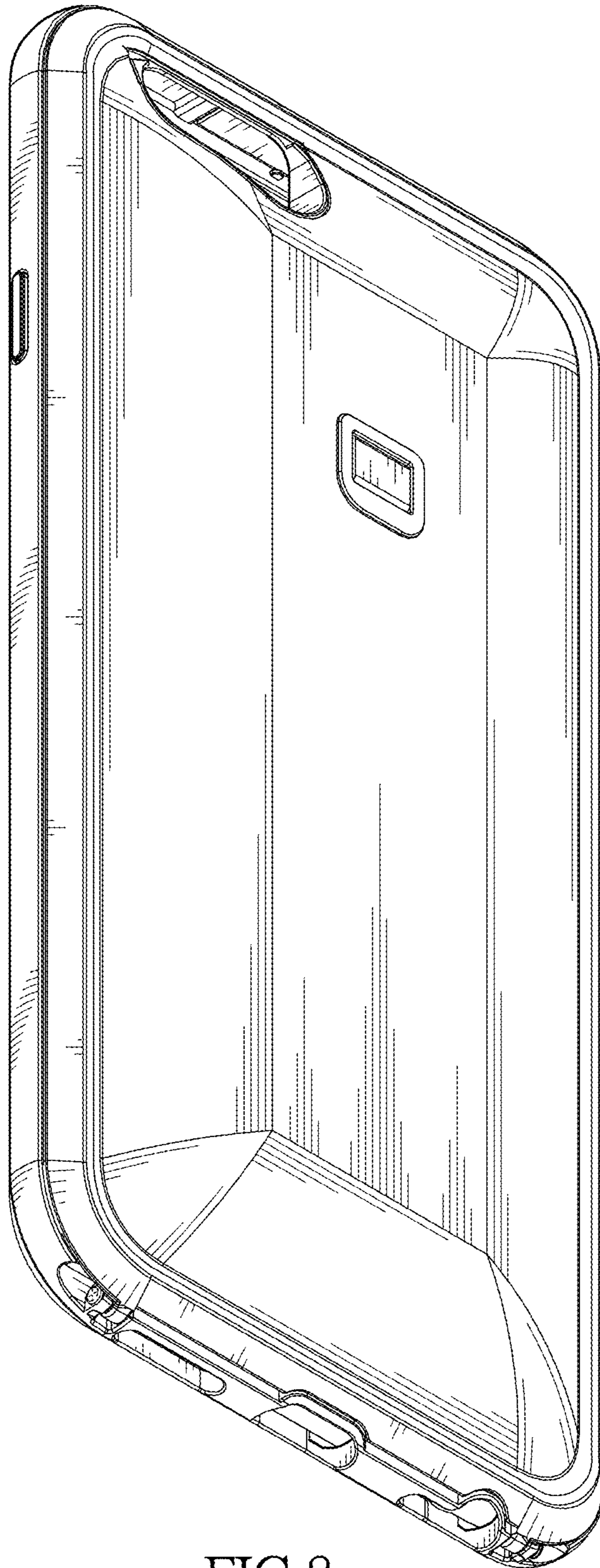


FIG.8

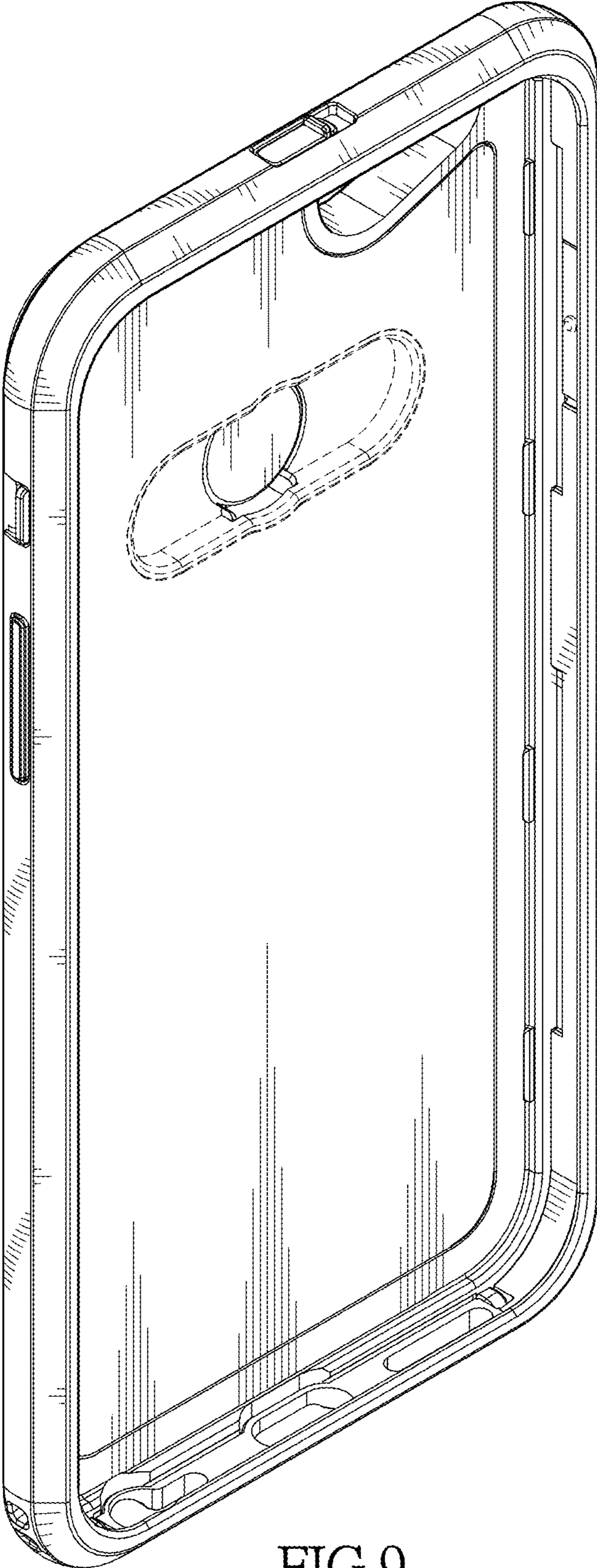


FIG. 9

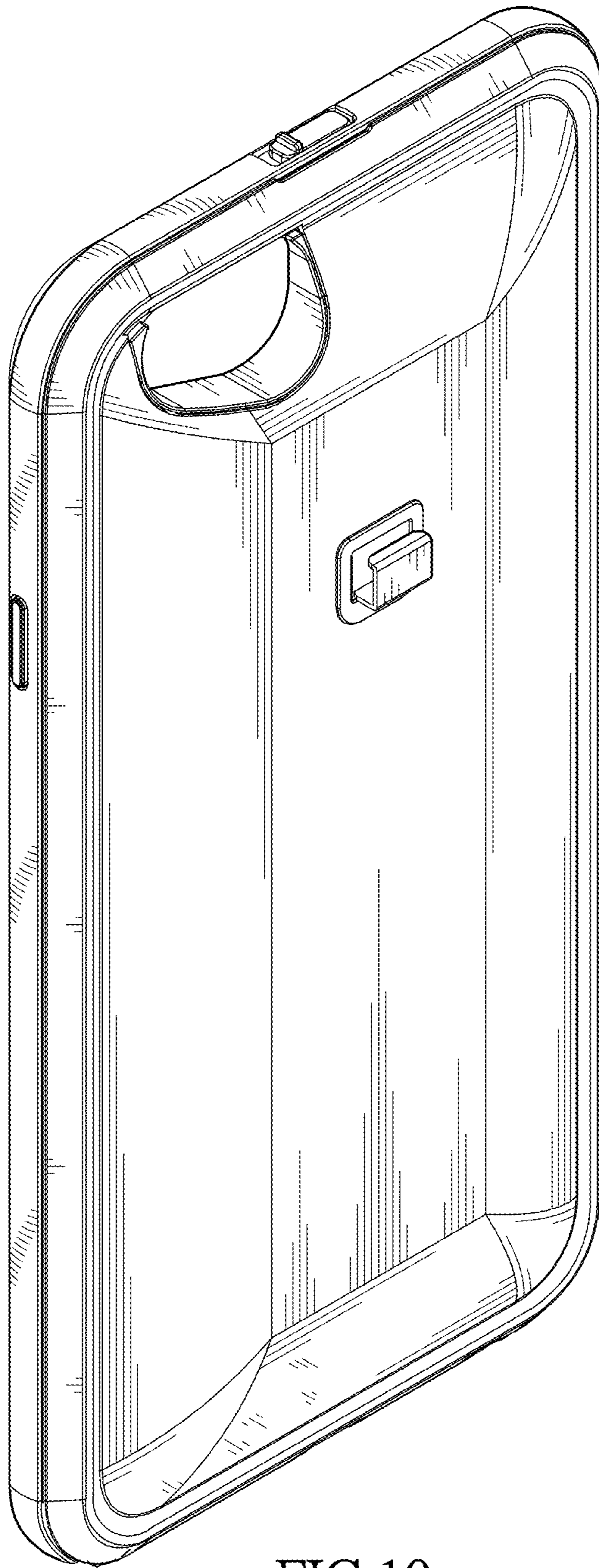


FIG. 10

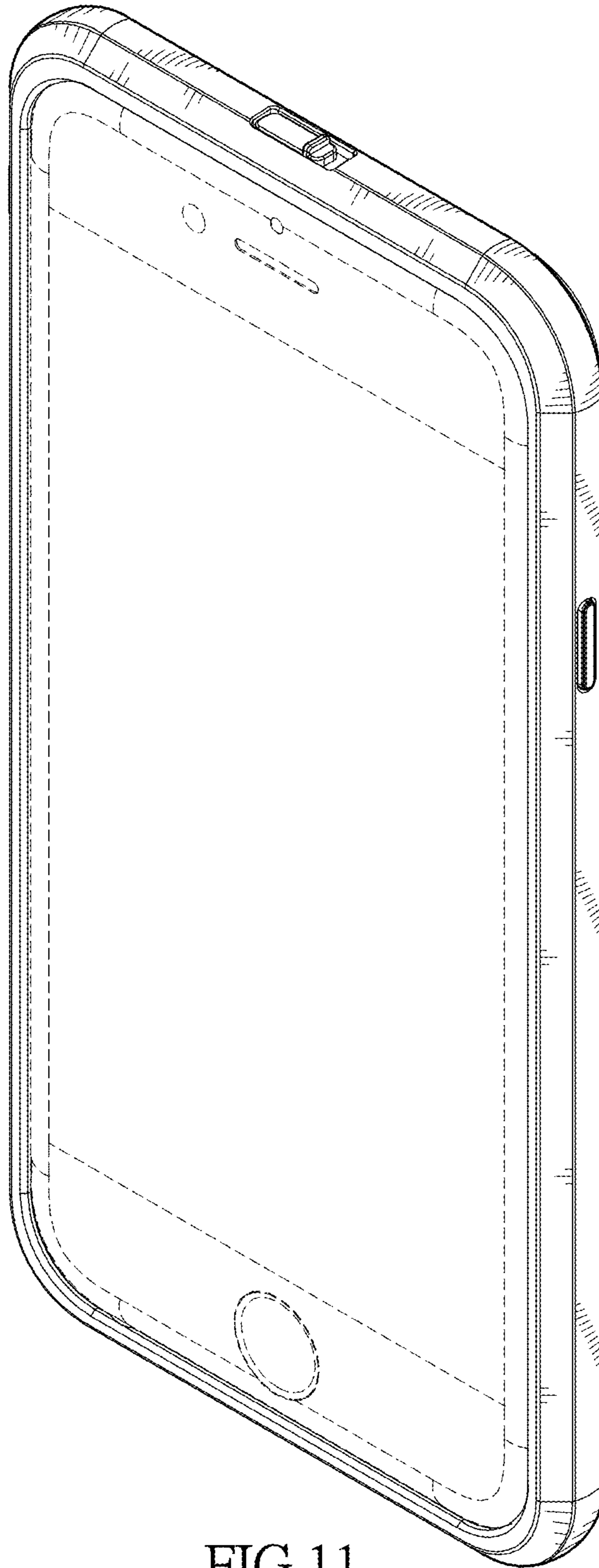


FIG.11

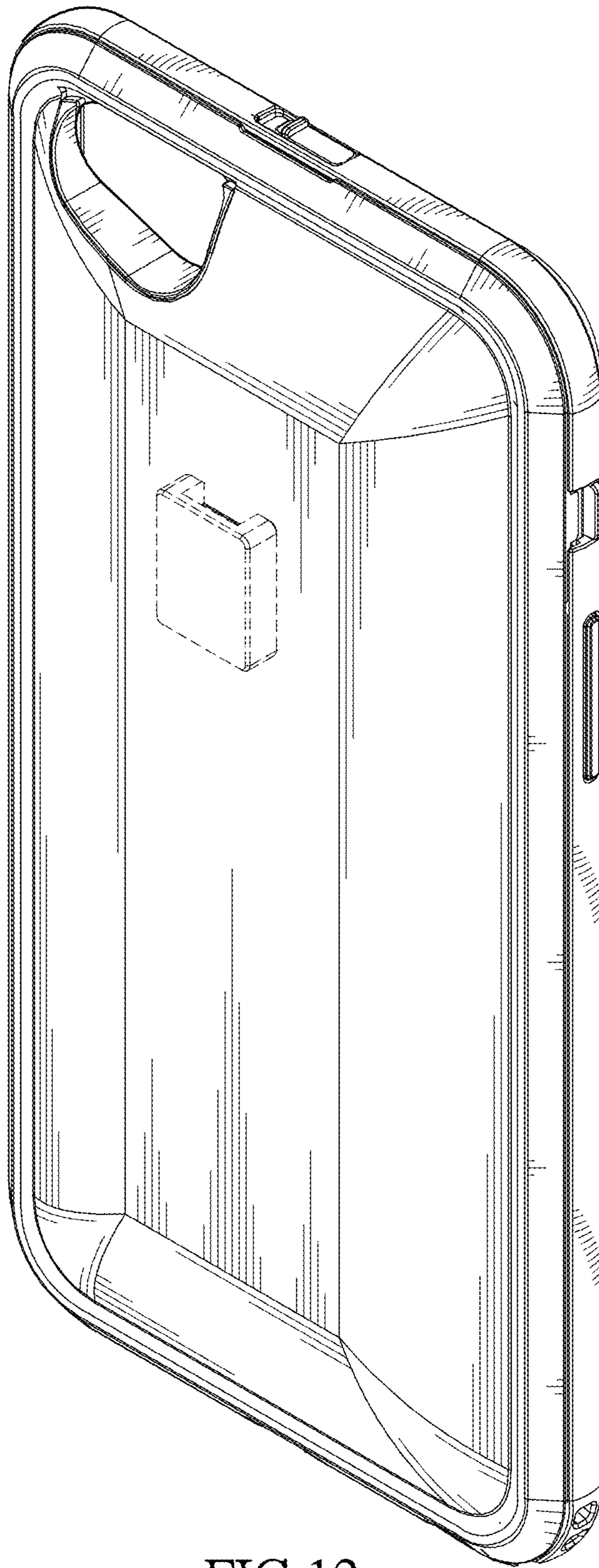


FIG.12